

MANUALLY OPERATED DIRECTIONAL CONTROL VALVE (HD*) (ROTARY TYPE) SIZE 02



Features

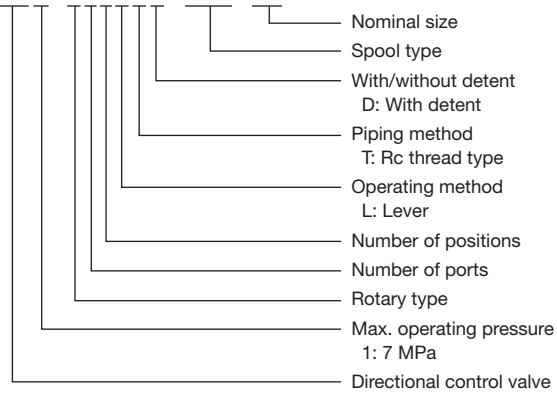
This type of valve switches the direction of flow of the hydraulic fluid in response to operation of the manual lever.

The rotary spool holds the switched position.

⚠ Cautions on use Please read the Operating Manual carefully to ensure correct usage.

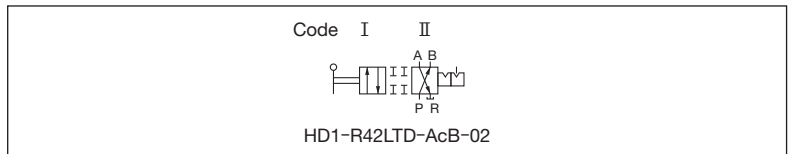
Description of the model designation

HD1-R42LTD-AcB-02



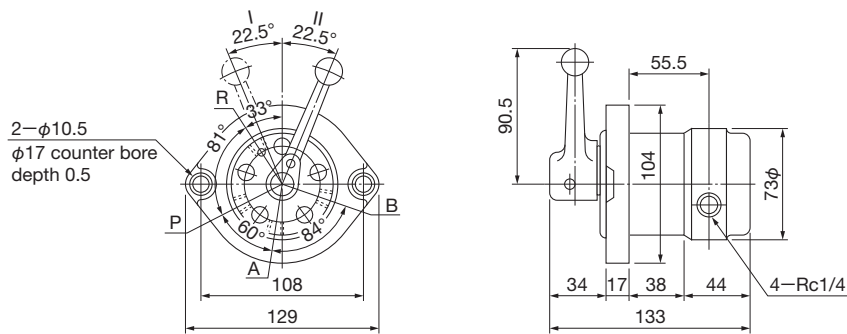
Specifications

Nominal Size	Rated Flow (L/min)	Max. Operating Pressure (MPa)	Permissible Back Pressure (MPa)	Model
02	11	7	0.04	HD1-R42LTD-AcB-02



Outside dimensions

HD1-R42LTD-AcB-02



Mass: 4kg

MANUALLY OPERATED DIRECTIONAL CONTROL VALVE (HD3) (SLIDE SPOOL TYPE) SIZE 025



Features

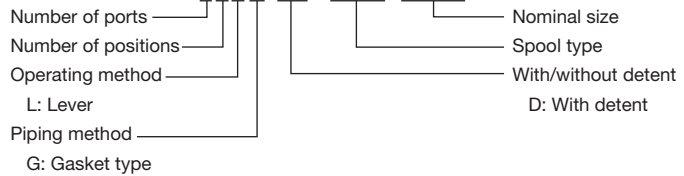
This type of valve switches the direction of flow of hydraulic fluid in response to operation of the manual lever.

A manual valve switches the direction of flow of hydraulic fluid flow instead of the solenoid used in the solenoid valve.

- Three types of valve (spring center type, spring offset type, and detent type) are available as standard.
- If valves other than those indicated below are required, please consult us.
- If subplate SHD025-***T*(A) is necessary, please order one separately.
- Finish the mounting faces to the same quality as the valve faces (3.2 μmRz).

Description of the model designation

HD3-43LG(D)-BCA-025A



⚠ Cautions on use Please read the Operating Manual carefully to ensure correct usage.

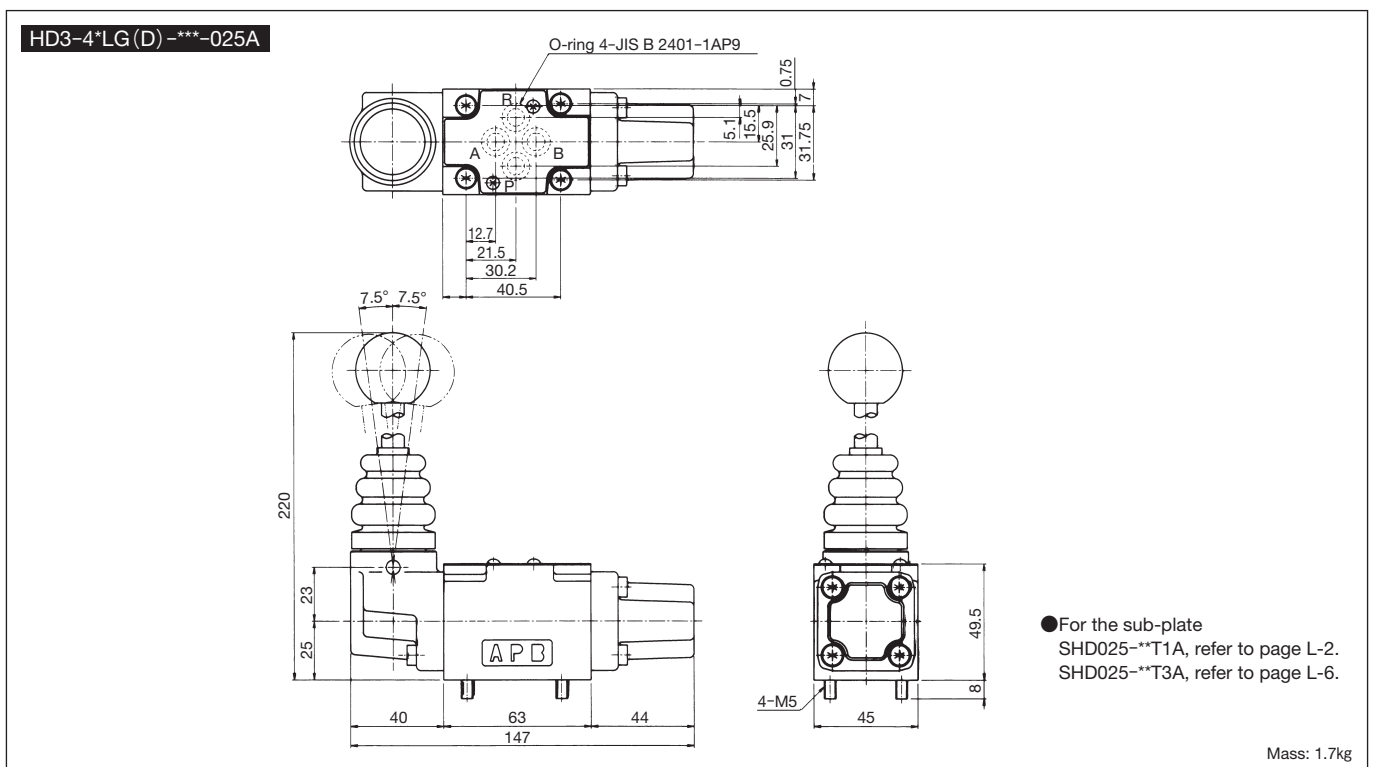
Specifications

Nominal Size	Rated Flow (L/min)	Max. Operating Pressure (MPa)	Permissible Back Pressure (MPa)	Model
025	27	25	7	HD3-4*LG(D)-***-025A

For , refer to table below.

Spring Center Type		Spring Offset Type	No Spring Type (with Detent)		
 43LG-BCA	 43LG-AEB	 42LG-BcA	 43LGD-BCA	 43LGD-AEB	 42LGD-BcA
 43LG-BDA	 43LG-BMA	 42LG-BdA	 43LGD-BDA	 43LGD-BMA	 42LGD-BdA
 43LG-BGA		 42LG-KcP	 43LGD-BGA		 42LGD-KcP

Outside dimensions



MANUALLY OPERATED DIRECTIONAL CONTROL VALVE (HD3) (SLIDE POOL TYPE) SIZE 03



Features

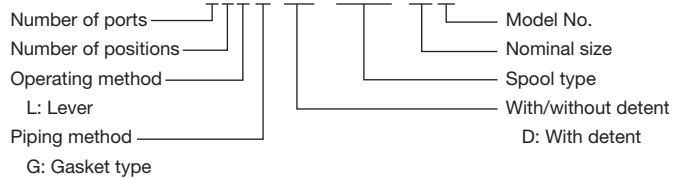
This type of valve switches the direction of flow of hydraulic fluid in response to operation of the manual lever.

A manual valve switches the direction of flow of hydraulic fluid instead of the solenoid used in the solenoid valve.

- Three types of valve (spring center type, spring offset type, and detent type) are available as standard.
- If valves other than those indicated below are required, please consult us.
- If subplate SHD03-**T*(A) is necessary, please order one separately.
- Finish the mounting faces to the same quality as the valve faces (3.2 μmRz).

Description of the model designation

HD3-43LG(D)-BCA-03A



⚠ Cautions on use Please read the Operating Manual carefully to ensure correct usage.

Specifications

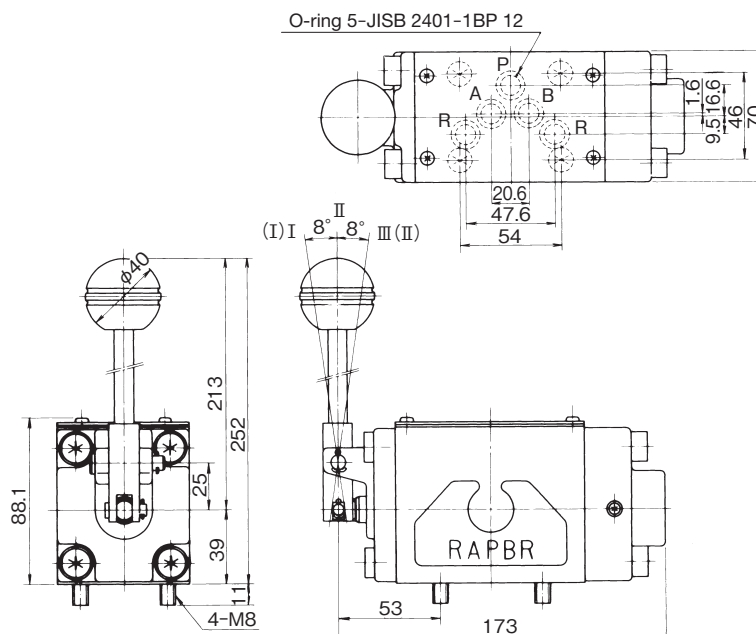
Nominal Size	Rated Flow (L/min)	Max. Operating Pressure (MPa)	Permissible Back Pressure (MPa)	Model
03	40	21	1	HD3-4*LG(D)-***-03A

For , refer to table below.

Spring Center Type		Spring Offset Type	No Spring Type (with Detent)		
43LG-BCA	43LG-AEB	42LG-BcA	43LGD-BCA	43LGD-AEB	42LGD-BcA
43LG-BDA	43LG-BMA	42LG-BdA	43LGD-BDA	43LGD-BMA	42LGD-BdA
43LG-BGA		42LG-BgA	43LGD-BGA		42LGD-BgA

Outside dimensions

HD3-4*LG(D)-***-03A



- For the sub-plate SHD03-**T1A, refer to page L-2.
- SHD03-**T3A, refer to page L-6.

Mass: 4.8kg