

Preparation of compressed air ► Maintenance units and components

Pre-filter, Series NL2-FLP

► G 1/4 ► filter porosity: 0.3 µm ► suitable for ATEX



00107225

Version	Pre-filter, Can be assembled into blocks
Mounting orientation	vertical
Working pressure min./max.	2 bar / 16 bar
Medium	Compressed air Neutral gases
Medium temperature min./max.	-10°C / +60°C
Ambient temperature min./max.	-10°C / +60°C
Filter reservoir volume	10 cm³
Filter element	exchangeable
filter porosity	0.3 µm
Condensate drain	See table below
Materials:	
Housing	Die cast zinc
Front plate	Acrylonitrile butadiene styrene
Seals	Acrylonitrile butadiene rubber
Filter insert	Impregnated paper

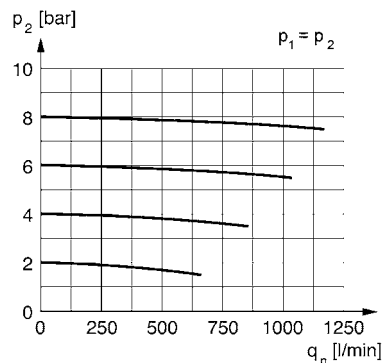
Technical Remarks

- The pressure dew point must be at least 15 °C under ambient and medium temperature and may not exceed 3 °C.
- Suitable for use in Ex zones 1, 2, 21, 22
- Recommended pre-filtering: 5 µm
- max. residual oil content at the outlet: 0.01 mg/m³
- solid impurities in the compressed air at the outlet as per ISO 8573-1: class 1

	Port	Qn [l/min]	Condensate drain	Reservoir	Weight [kg]	Part No.
	G 1/4	380	semi-automatic, open without pressure	Polycarbonate	0.45	0821303308
			fully automatic, open without pressure	Polycarbonate	0.45	0821303309
			fully automatic, open without pressure	Die cast zinc	0.48	R412010785

Nominal flow Qn with secondary pressure p2 = 6 bar at Δp = 0,1 bar

Flow rate characteristic



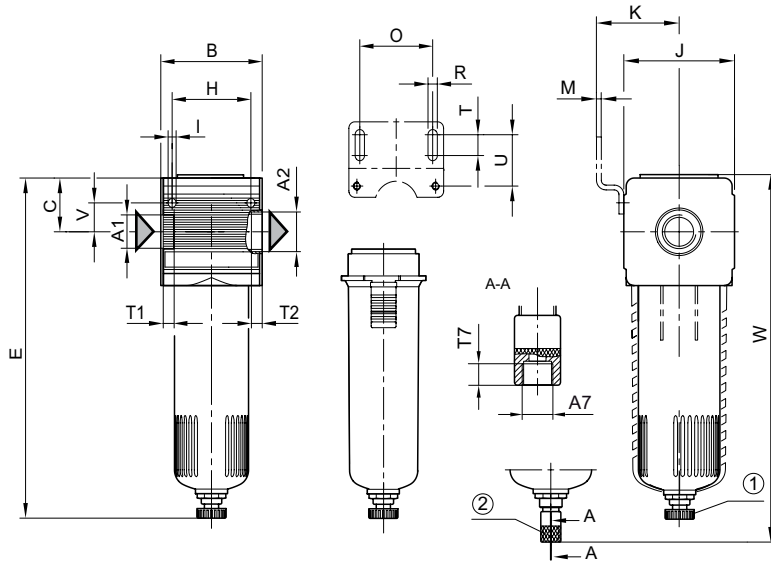
00129807

p2 = secondary pressure
qn = nominal flow

Pre-filter, Series NL2-FLP

▶ G 1/4 ▶ filter porosity: 0.3 µm ▶ suitable for ATEX

Dimensions



00107277

- 1) Semi-automatic condensate drain
- 2) fully automatic condensate drain

A1	A2	A7	B	C	E	H	I	J	K	M	O	R	T
G 1/4	G 1/4	G 1/8	48	27.5	152	36	4.4	47	43.5	3	38	5.4	8
G 1/4	G 1/4	G 1/8	48	27.5	—	36	4.4	47	43.5	3	38	5.4	8
A1	T1	T2	T7	U	V	W							
G 1/4	9.5	9.5	8.5	27.5	12.3	—							
G 1/4	9.5	9.5	8.5	27.5	12.3	168							