



# Online Data Sheet

## Encoder WdGI 58H

[www.wachendorff-automation.com/wdgi58h](http://www.wachendorff-automation.com/wdgi58h)

### Wachendorff Automation

#### ... systems and encoders

- Complete systems
- Industrial rugged encoders to suit your application
- Standard range and customer versions
- Maximum permissible loads
- 48-hour express production
- Made in Germany
- Worldwide distributor network

# Encoder WDGI 58H



- Rugged industrial standard encoder
- Housing cap die cast aluminum, with particularly eco-friendly powder coating
- Up to 25000 PPR by use of high grad electronics
- Thru-Bore
- High protection class IP65, with oil seal
- Maximum mechanical and electrical safety
- High noise immunity
- Full connection protection with 10 VDC up to 30 VDC
- High output frequency 600 kHz/2 MHz
- Optional: -40 °C up to +85 °C, Pressure equalising membrane

[www.wachendorff-automation.com/wdgi58h](http://www.wachendorff-automation.com/wdgi58h)

Resolution	
Max. pulses per revolution PPR	up to 25000 PPR
Mechanical Data	
Housing	
Flange	hollow shaft (through-bored)
Flange material	aluminum
Housing cap	die cast aluminum, powder coated
Torque supports	incl. 1 torque support WDGDS10001
- 1. Spring plate compensation	axial: ±0.8 mm, radial: ±0.2 mm
- Max. operating speed	6000 rpm up to max. protection rating +60 °C
- 2. Cylinder pin 4 mm	needs accessories WDGDS10005
- Compensation	axial: ±0.5 mm, radial: ±1.5 mm, Max. operating speed: 3000 rpm
Housing	Ø 58 mm
Shaft(s)	
Shaft material	stainless steel
Starting torque	approx. 2.2 Ncm at ambient temperature
Fixing	permanently attached clamping ring
Shaft	Ø 8 mm
Shaft length	L: 44.5 mm
Max. Permissible shaft loading radial	80 N
Max. Permissible shaft loading axial	60 N
Shaft	Ø 10 mm
Shaft length	L: 44.5 mm
Max. Permissible shaft loading radial	80 N
Max. Permissible shaft loading axial	60 N
Shaft	Ø 12 mm
Shaft length	L: 44.5 mm
Max. Permissible shaft loading radial	80 N
Max. Permissible shaft loading axial	60 N
Shaft	Ø 12.7 mm, Ø 1/2"
Shaft length	L: 44.5 mm, L: 1.75 in
Max. Permissible shaft loading radial	80 N, 8.15 kp

Max. Permissible shaft loading axial	60 N, 6.12 kp
Shaft	Ø 14 mm
Shaft length	L: 44.5 mm
Max. Permissible shaft loading radial	80 N
Max. Permissible shaft loading axial	60 N
Shaft	Ø 15 mm
Shaft length	L: 44.5 mm
Max. Permissible shaft loading radial	80 N
Max. Permissible shaft loading axial	60 N
Bearings	
Bearings type	2 precision ball bearings
Nominale service life	1 x 10 <sup>9</sup> revs. at 100 % rated shaft load 1 x 10 <sup>10</sup> revs. at 40 % rated shaft load 1 x 10 <sup>11</sup> revs. at 20 % rated shaft load
Max. operating speed	6000 rpm

### Machinery Directive: basic data safety integrity level

MTTF <sub>d</sub>	200 a
Mission time (TM)	25 a
Nominale service life (L10h)	1 x 10 <sup>11</sup> revs. at 20 % rated shaft load and 6000 rpm
Diagnostic coverage (DC)	0 %

### Electrical Data

Power supply/Current consumption	4,75 VDC up to 5,5 VDC: typ. 100 mA
Power supply/Current consumption	5 VDC up to 30 VDC: typ. 70 mA
Power supply/Current consumption	10 VDC up to 30 VDC: typ. 100 mA
Output circuit	TTL TTL, RS422 compatible, inv. HTL HTL, inv. 1 Vpp sin/cos
Pulse frequency	TTL 5000 ppr: max. 200 kHz HTL 5000 ppr: max. 200 kHz TTL more than 1200 ppr: max. 2 MHz HTL more than 1200 ppr: max. 600 kHz 1 Vpp sin/cos: max. 100 kHz

Channels	AB ABN and inverted signals
Load	max. 40 mA / channel @ 1 Vpp sin/cos: min. 120 Ohm
Circuit protection	circuit type F24, G24, H24, I24, P24, R24 only

#### Accuracy

Phase offset	90° ± max. 7.5 % of the pulse length
pulse-/pause-ratio	5000 ppr: 50 % ± max. 7 % Output circuits F24, P24, F05, P05, 645: 50 % ± max. 10 %

#### General Data

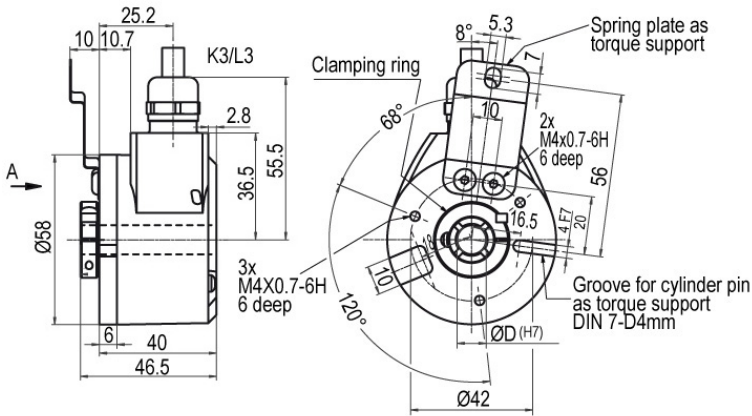
Weight	approx. 220 g
Connections	cable or connector, radial
Protection rating (EN 60529)	IP65 all around
Operating temperature	Connector: -20 °C up to +85 °C, cable: -20 °C up to +80 °C, (Option ACA: -40 °C up to +85 °C) 1 Vpp: -10 °C up to +70 °C
Storage temperature	Connector: -30 °C up to +85 °C, cable: -30 °C up to +80 °C, option ACA: -40 °C up to +85 °C

#### More Information

General technical data and safety instructions  
<http://www.wachendorff-automation.com/gtd>

Options  
<http://www.wachendorff-automation.com/acc>

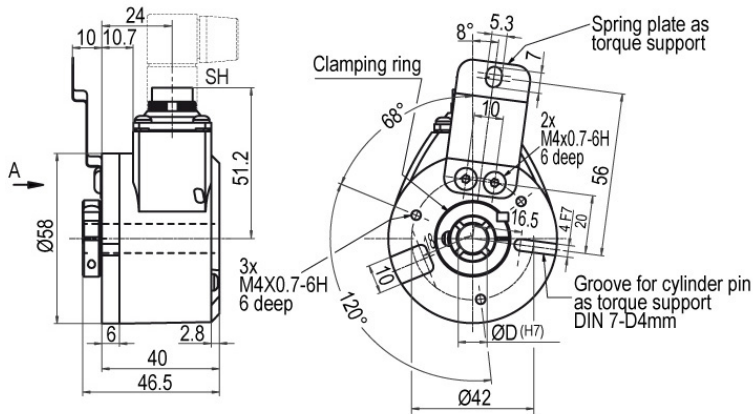
**WDGI 58H: Cable connection K3, L3, radial, with 2 m cable**



**Description**

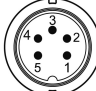


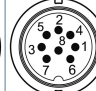
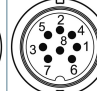
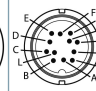
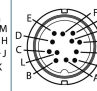
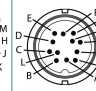
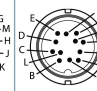
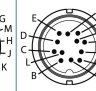
		ABN inv. poss.
<b>K3</b>	radial, shield not connected	•
<b>L3</b>	radial, shield connected to encoder housing	•

Assignments					
	K3, L3	K3, L3	K3, L3	K3, L3	L3
<b>Circuit</b>	G05, G24	F05, H05, F24, H24, H30	I05, I24, 524	P05, R05, P24, R24, 245, 645, R30	SIN
<b>GND</b>	WH	WH	WH	WH	WH
<b>(+) Vcc</b>	BN	BN	BN	BN	BN
<b>A</b>	GN	GN	GN	GN	GN
<b>B</b>	YE	YE	YE	YE	GY
<b>N</b>	GY	GY	GY	GY	-
<b>Light reserve warning</b>	PK	-	PK	-	-
<b>A inv.</b>	-	-	RD	RD	YE
<b>B inv.</b>	-	-	BK, (BU at ACA)	BK, (BU at ACA)	PK
<b>N inv.</b>	-	-	VT	VT	-
<b>Shield</b>	flex	flex	flex	flex	flex

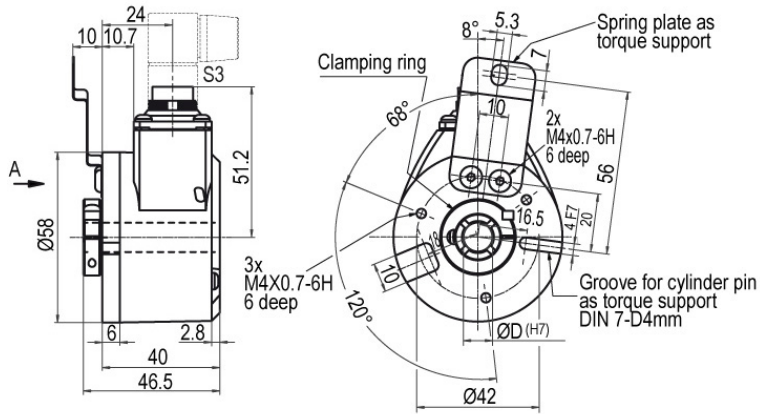
**WDGI 58H: Connector (M16x0.75) SH, radial, 5-, 6-, 8-, 12-pin**

**Description**
**ABN inv. poss.**

<b>SH5</b>	radial, 5-pin, Connector connected to encoder housing	-
<b>SH6</b>	radial, 6-pin, Connector connected to encoder housing	-
<b>SH8</b>	radial, 8-pin, Connector connected to encoder housing	•
<b>SH12</b>	radial, 12-pin, Connector connected to encoder housing	•

**Assignments**

	<b>SH5</b>	<b>SH6</b>	<b>SH6</b>	<b>SH8</b>	<b>SH8</b>	<b>SH12</b>	<b>SH12</b>	<b>SH12</b>	<b>SH12</b>	<b>SH12</b>
	<b>5-pin</b>	<b>6-pin</b>	<b>6-pin</b>	<b>8-pin</b>	<b>8-pin</b>	<b>12-pin</b>	<b>12-pin</b>	<b>12-pin</b>	<b>12-pin</b>	<b>12-pin</b>
										
<b>Circuit</b>	F05, H05, F24, H24, H30	G05, G24	F05, H05, F24, H24, H30	F05, H05, F24, H24, H30	P05, R05, P24, R24, R30, 245, 645	G05, G24	F05, H05, F24, H24, H30	I05, I24, 524	P05, R05, P24, R24, 245, 645, R30	SIN
<b>GND</b>	1	6	6	1	1	K, L	K, L	K, L	K, L	K, L
<b>(+) Vcc</b>	2	1	1	2	2	M, B	M, B	M, B	M, B	M, B
<b>A</b>	3	2	2	3	3	E	E	E	E	E
<b>B</b>	4	4	4	4	4	H	H	H	H	H
<b>N</b>	5	3	3	5	5	C	C	C	C	-
<b>Light reserve warning</b>	-	5	-	-	-	G	-	G	-	-
<b>A inv.</b>	-	-	-	-	6	-	-	F	F	F
<b>B inv.</b>	-	-	-	-	7	-	-	A	A	A
<b>N inv.</b>	-	-	-	-	8	-	-	D	D	-
<b>n. c.</b>	-	-	5	6, 7, 8	-	A, D, F, J	A, D, F, G, J	J	G, J	D, G, J
<b>Shield</b>	-	-	-	-	-	-	-	-	-	-

**WDGI 58H: Connector (M16x0.75) S3, radial, 7-pin**


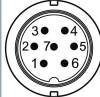


**Description**

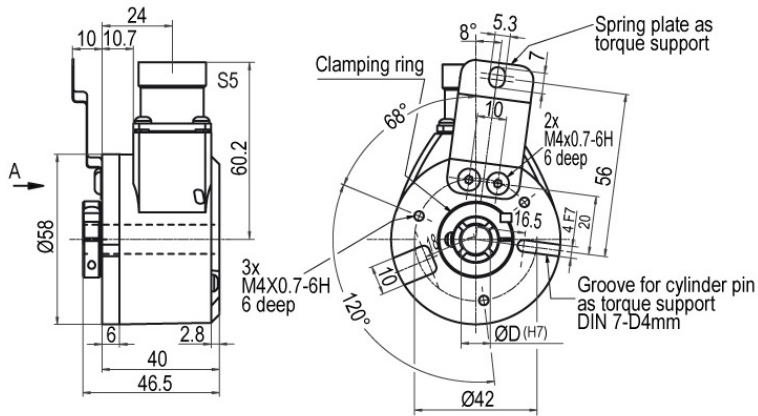
**ABN inv. poss.**

**S3** radial, 7-pin, Connector connected to encoder housing

-

Assignments		
	S3	S3
	7-pin	7-pin
		
<b>Circuit</b>	G05, G24	F05, H05, F24, H24, H30
<b>GND</b>	1	1
<b>(+) Vcc</b>	2	2
<b>A</b>	3	3
<b>B</b>	4	4
<b>N</b>	5	5
<b>Light reserve warning</b>	6	-
<b>A inv.</b>	-	-
<b>B inv.</b>	-	-
<b>N inv.</b>	-	-
<b>n. c.</b>	7	6, 7
<b>Shield</b>	-	-

**WDGI 58H: Connector (M23) S5, radial, 12-pin**

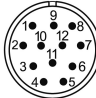
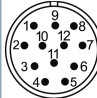
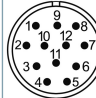
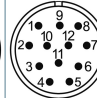
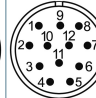


**Description**

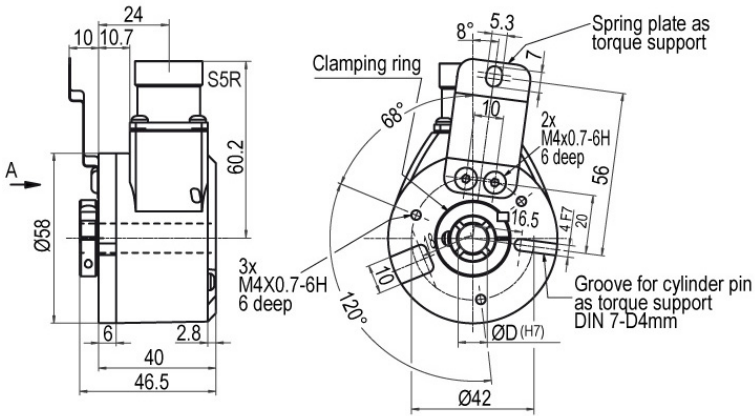
ABN inv. poss.

**S5** radial, 12-pin, Connector connected to encoder housing

•

Assignments					
	S5	S5	S5	S5	S5
	12-pin	12-pin	12-pin	12-pin	12-pin
					
<b>Circuit</b>	G05, G24	F05, H05, F24, H24, H30	I05, I24, 524	P05, R05, P24, R24, 245, 645, R30	SIN
<b>GND</b>	10	10	10	10	10
<b>(+) Vcc</b>	12	12	12	12	12
<b>A</b>	5	5	5	5	5
<b>B</b>	8	8	8	8	8
<b>N</b>	3	3	3	3	-
<b>Light reserve warning</b>	11	-	11	-	-
<b>A inv.</b>	-	-	6	6	6
<b>B inv.</b>	-	-	1	1	1
<b>N inv.</b>	-	-	4	4	-
<b>n. c.</b>	1, 2, 4, 6, 7, 9	1, 2, 4, 6, 7, 9, 11	2, 7, 9	2, 7, 9, 11	2, 3, 4, 7, 9, 11
<b>Shield</b>	-	-	-	-	-

**WDGI 58H: Connector (M23) S5R, radial, 12-pin (clockwise)**

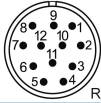
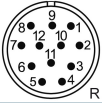
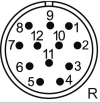
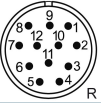
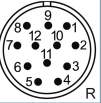


**Description**

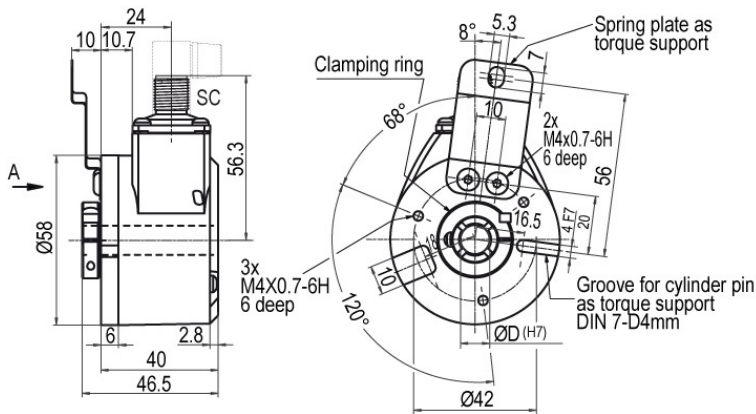
ABN inv. poss.

**S5R** radial, 12-pin, Connector connected to encoder housing

•




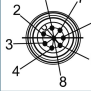
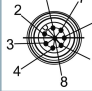
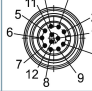
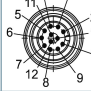
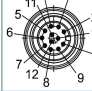
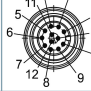
Assignments					
	S5R	S5R	S5R	S5R	S5R
	12-pin	12-pin	12-pin	12-pin	12-pin
					
<b>Circuit</b>	G05, G24	F05, H05, F24, H24, H30	I05, I24, 524	P05, R05, P24, R24, 245, 645, R30	SIN
<b>GND</b>	10	10	10	10	10
<b>(+) Vcc</b>	12	12	12	12	12
<b>A</b>	5	5	5	5	5
<b>B</b>	8	8	8	8	8
<b>N</b>	3	3	3	3	-
<b>Light reserve warning</b>	11	-	11	-	-
<b>A inv.</b>	-	-	6	6	6
<b>B inv.</b>	-	-	1	1	1
<b>N inv.</b>	-	-	4	4	-
<b>n. c.</b>	1, 2, 4, 6, 7, 9	1, 2, 4, 6, 7, 9, 11	2, 7, 9	2, 7, 9, 11	2, 3, 4, 7, 9, 11
<b>Shield</b>	-	-	-	-	-



**WDGI 58H: Sensor-connector (M12x1) SC, radial, 4-, 5-, 8-, 12-pin**

**Description**
**ABN inv. poss.**

<b>SC4</b>	radial, 4-pin, Connector connected to encoder housing	-
<b>SC5</b>	radial, 5-pin, Connector connected to encoder housing	-
<b>SC8</b>	radial, 8-pin, Connector connected to encoder housing	•
<b>SC12</b>	radial, 12-pin, Connector connected to encoder housing	•

**Assignments**

	<b>SC4</b>	<b>SC5</b>	<b>SC8</b>	<b>SC8</b>	<b>SC8</b>	<b>SC12</b>	<b>SC12</b>	<b>SC12</b>	<b>SC12</b>
	<b>4-pin</b>	<b>5-pin</b>	<b>8-pin</b>	<b>8-pin</b>	<b>8-pin</b>	<b>12-pin</b>	<b>12-pin</b>	<b>12-pin</b>	<b>12-pin</b>
									
<b>Circuit</b>	F05, H05, F24, H24, H30	F05, H05, F24, H24, H30	F05, H05, F24, H24, H30	P05, R05, P24, R24, R30, 245, 645	SIN	G05, G24	F05, H05, F24, H24, H30	I05, I24, 524	P05, R05, P24, R24, 245, 645, R30
<b>GND</b>	3	3	1	1	1	3	3	3	3
<b>(+) Vcc</b>	1	1	2	2	2	1	1	1	1
<b>A</b>	2	4	3	3	3	4	4	4	4
<b>B</b>	4	2	4	4	5	6	6	6	6
<b>N</b>	-	5	5	5	-	8	8	8	8
<b>Light reserve warning</b>	-	-	-	-	-	5	-	5	-
<b>A inv.</b>	-	-	-	6	4	-	-	9	9
<b>B inv.</b>	-	-	-	7	6	-	-	7	7
<b>N inv.</b>	-	-	-	8	-	-	-	10	10
<b>n. c.</b>	-	-	6, 7, 8	-	7, 8	2, 7, 9, 10, 11, 12	2, 5, 7, 9, 10, 11, 12	2, 11, 12	2, 5, 11, 12
<b>Shield</b>	-	-	-	-	-	-	-	-	-

## Options

### Low temperature

The encoder WDG1 58H with the output circuit types F24, G24, H24, I24, P24, R24, F05, G05, H05, I05, P05, R05, 245, 524, 645 is also available with the extended temperature range -40 °C up to +85 °C [-40 °F up to +185 °F] (measured at the flange).

### Order key

**ACA**

### Pressure equalising membrane

The WDG1 58H shaft encoder is also optionally available with a pressure equalising membrane. This prevents water from penetrating into the encoder housing in the case of high air humidity.

The IP67 protection level, temperature range and salt spray resistance are maintained. Resistant to chemicals and solvents in accordance with DIN EN ISO 2812-1.

### Order key

**ACR**

### Cable length

The encoder WDG1 58H can be supplied with more than 2 m cable. The maximum cable length depends on the supply voltage and the frequency; see [www.wachendorff-automation.com/atd](http://www.wachendorff-automation.com/atd)

Please extend the standard order code with a three figure number, specifying the cable length in decimetres.

Example: 5 m cable = 050

### Order key

**XXX = Decimeter**

Example Order No.	Type				Your encoder	
WDGI 58H	WDGI 58H				WDGI 58H	
<b>Bore size</b>						
10	08; 10; 12; 3Z= Ø 12.7 mm, Ø 1/2"; 14; 15					
<b>Pulses per revolution PPR:</b>						
1024	4, 6, 10, 32, 36, 50, 60, 64, 70, 100, 120, 125, 127, 150, 180, 200, 216, 240, 250, 254, 256, 300, 314, 360, 400, 500, 512, 600, 625, 720, 750, 768, 800, 810, 900, 1000, 1024, 1200, 1250, 1270, 1440, 1500, 1800, 2000, 2048, 2400, 2500, 3000, 3600, 4000, 4096, 4685, 5000, 10000, 12500, 20000, 25000 1 Vpp Sin/Cos only 1024, 2048 Other PPRs on request					
<b>Channels:</b>						
ABN	AB, ABN (SIN: AB)					
<b>Output circuit</b>						
G24	<b>Resolution PPR</b>	<b>Power supply VDC</b>	<b>Output circuit</b>	<b>Light reserve warning</b>	<b>Order key</b>	
	up to 2500	5 - 30	HTL	-	H30	
		5 - 30	HTL inverted	-	R30	
	up to 5000	4.75 - 5.5	TTL	•	G05	
		4.75 - 5.5	TTL	-	H05	
		4.75 - 5.5	TTL, RS422 comp., inverted	•	I05	
		4.75 - 5.5	TTL, RS422 comp., inverted	-	R05	
		10 - 30	HTL	•	G24	
		10 - 30	HTL	-	H24	
		10 - 30	HTL inverted	•	I24	
		10 - 30	HTL inverted	-	R24	
		10 - 30	TTL, RS422 comp., inverted	•	524	
		10 - 30	TTL, RS422 comp., inverted	-	245	
	(higher frequency) 1200 up to 25000	4.75 - 5.5	TTL	-	F05	
		4.75 - 5.5	TTL, RS422 comp., inverted	-	P05	
		10 - 30	HTL	-	F24	
		10 - 30	HTL inverted	-	P24	
	1024, 2048	4.75 - 5.5	1 Vpp sin/cos	-	SIN	
	<b>Electrical connections</b>					
	K3	<b>Description</b>			<b>ABN inv. poss.</b>	<b>Order key</b>
<b>Cable: length (2 m standard, WDG 58T: 1 m)</b>						
radial, shield not connected			•	K3		
radial, shield connected to encoder housing			•	L3		
<b>Connector: (shield connected to encoder housing)</b>						
connector, M16x0.75, 5-pin, radial			-	SH5		
connector, M16x0.75, 6-pin, radial			-	SH6		
connector, M16x0.75, 8-pin, radial			•	SH8		
connector, M16x0.75, 12-pin, radial			•	SH12		
connector, M16x0.75, 7-pin, radial			-	S3		
connector, M23, 12-pin, radial			•	S5		
connector, clockwise pin count, M23, 12-pin, radial			•	S5R		
sensor-connector, M12x1, 4-pin, radial			-	SC4		
sensor-connector, M12x1, 5-pin, radial			-	SC5		
sensor-connector, M12x1, 8-pin, radial			•	SC8		
sensor-connector, M12x1, 12-pin, radial			•	SC12		

Options		
Description	Order key	
Low temperature	ACA	
Pressure equalising membrane	ACR	
Without option	Empty	
Cable length	XXX = Decimeter	

<b>Example Order No.=</b>	WDGI 58H	10	1024	ABN	G24	K3			WDGI 58H								<b>Your encoder</b>
---------------------------	----------	----	------	-----	-----	----	--	--	----------	--	--	--	--	--	--	--	---------------------



For further information please contact our local distributor.  
Here you find a list of our distributors worldwide.  
[http://www.wachendorff-automation.com/distributors\\_worldwide.html](http://www.wachendorff-automation.com/distributors_worldwide.html)



Wachendorff Automation GmbH & Co. KG  
Industriestrasse 7 • D-65366 Geisenheim

Phone: +49 67 22 / 99 65 25  
Fax: +49 67 22 / 99 65 70  
E-Mail: [wdg@wachendorff.de](mailto:wdg@wachendorff.de)  
[www.wachendorff-automation.de](http://www.wachendorff-automation.de)

