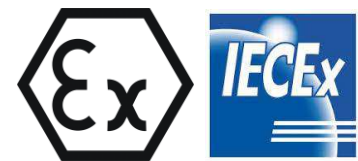


BOX LIMIT SWITCH mod.ST2 Explosion proof ATEX/IECEX



GENERAL INFORMATION

The Limit Switch Box SENDERTOP ST2 series is designed to provide an instant and reliable feedback signal for the position of a valve actuated or manually operated in Hazardous area. Exd Explosionproof type of protection. IP66/67 protection type.

Aluminum Enclosure and SS AISI-316

High visibility green / red status indicator. Precise cam adjustment, through spindle system. Terminal block with 10 positions.

Electrical inputs M20x1.5 or 1/2 "NPT-F. Possibility to mount a wide range of limit switches.

BRACKET

NAMUR bracket for mounting on actuator with hub spacing 30x80 e 30x130, pinion h. 20 and 30mm, available on request in painted steel or stainless steel

TECHNICAL DATA

Switches

- Mechanical SPDT, 10A@250VAC.
- Magnetic hermetically sealed proximity type SPDT, 3A@220VAC
- Inductives 2 wires/3 wires max 140Vdc, PNP, NPN, NAMUR

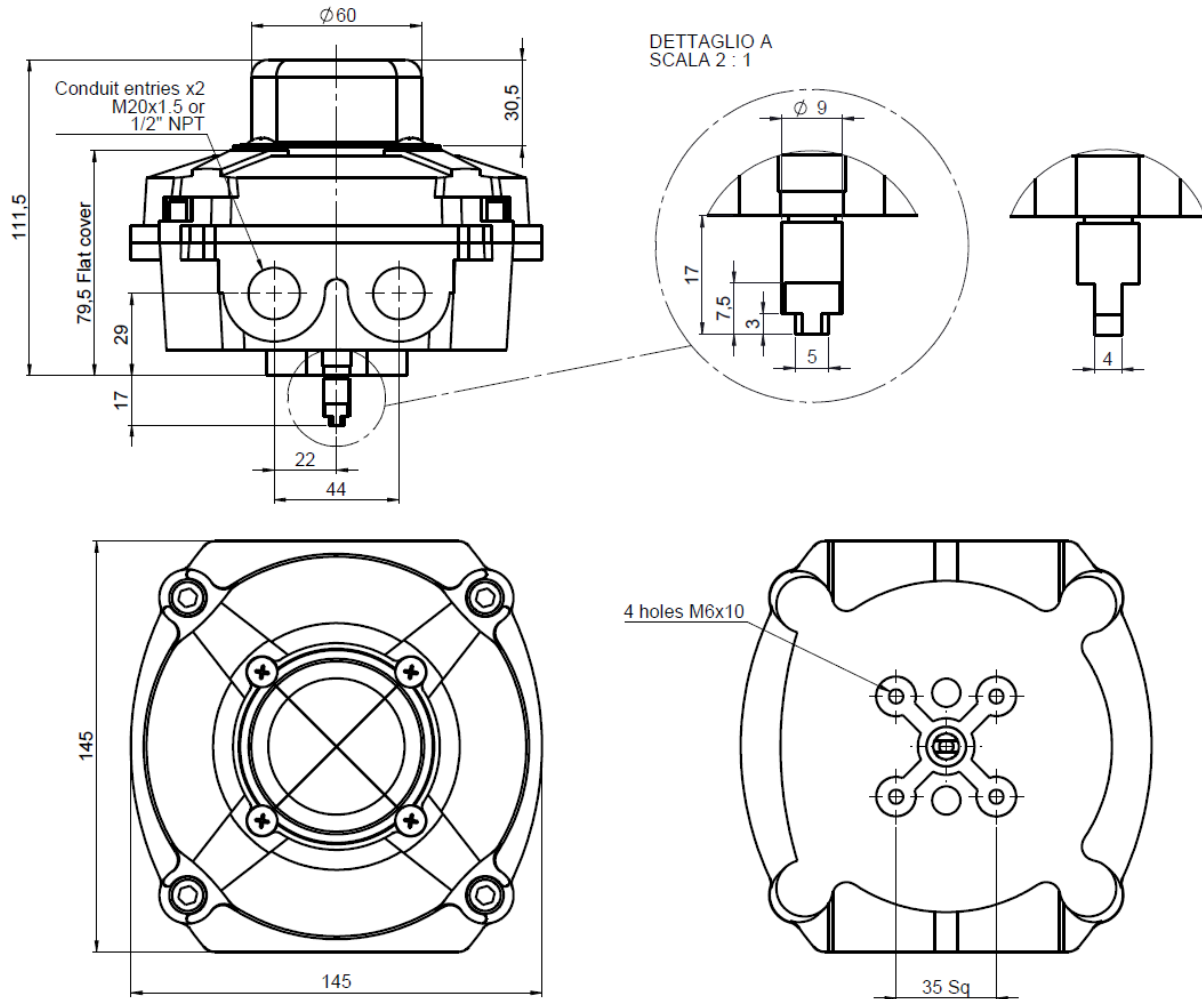
Enclosures

- Low copper content Aluminum with double layer of black epoxy coating.
- CF8M (AISI-316) Stainless Steel

Ambient temperature

- Standard : -20°C/+60°C (NBR seals)
- On request : -60°C/+60°C (Silicone seals)

ST2 ENCLOSURE DIMENSION



TECHNICAL SPECIFICATIONS

Materials of construction

Enclosure	Low copper content aluminium epoxy coated / S.S. CF8M
Namur Shaft	Stainless Steel
Beacon	Polycarbonate & ABS
Spring	Stainless Steel
Cams	ABS
O-ring	NBR / Silicone
Bolts	Stainless steel CF8M
Available switches	Mechanical SPDT, 10A@250VAC
	Magnetic reed SPDT, 3A@220VAC
	Inductive 2 wires/3wires max 140Vdc, PNP, NPN, NAMUR



HOW TO ORDER

Housing

ST2 SendertopSendertop Explosion proof
 II 2G Ex db IIC T6 Gb
 II 2D Ex tb IIIC T...°C

Type

- ME** Mechanical switches
- IE** Inductive proximity sensors
- HSE** Magnetic proximity switches

Conduit entries

- N** 1/2" NPT-F
- M** M20 x 1,5

Number of switches / sensors

- | | | | |
|---|-----|---|-------|
| 1 | One | 3 | Three |
| 2 | Two | 4 | Four |

Indicator

- VR** STD, forma A, green/red
- 2** Lport, forma A, 3 way
- 3** Tport, forma A, 3 way
- 4** arrow, forma A, 3 way

Enclosure material

- A** Alluminium, black RAL 9005
- S** Stainless Steel CF8M

Switches / Sensors

- A** NS 5002
- B** IS 5001
- D** IS 5026
- E** IS 0003
- F** NJ2 V3 N
- G** NBB2 V3 E2
- H** NBB3 V3 Z4
- L** NBB2 V3 E0
- N** NCB2 V3 N0
- P** IS 0004
- 0** OMRON D3V or CHERRY D44
- S** HONEYWELL V7
- M** HSR 834W
- T** NBB2-V3-E2-3G-3D

Special options

- LT** Low temperature (-60°C)
- 1** Circuit board 7-8-7-9
- 2** Circuit board 7-8-9-10

ST2 ME M 2 VR A 0 LT Mod. numb.=**ST2MEM2VRA0LT**