

Miniature Linear Guides - Wide Rails - Standard Blocks, Light Preload / Slight Clearance

= For customers using industry standard products =
 frame-surrounded products are compliant with the industry standard specifications (Stainless Steel, Light Preload, High Grade Type). Select the block from this spec.

Similar Products Comparison Points | The industry standard Wide Rails, Standard Blocks. Select from Light Preload Types with superior precision and rigidity.

Industry Standard

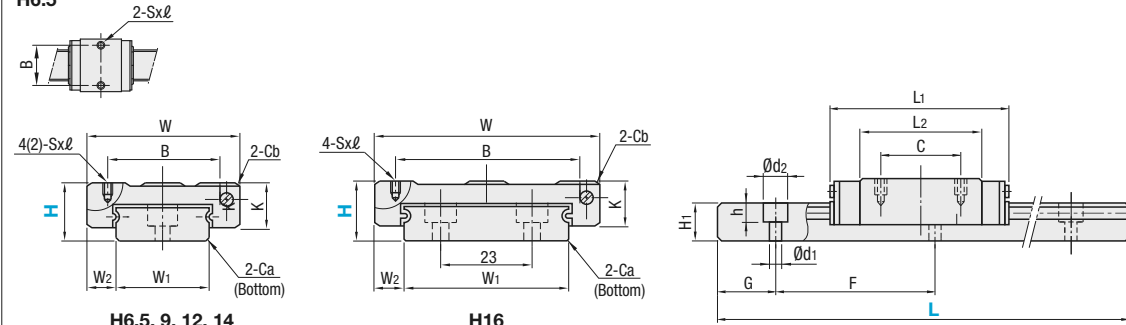


Material Hardness	Type			L Dimension	Number of Blocks
	Light Preload		Slight Clearance		
	High Grade	Precision Grade	Standard Grade		
Stainless Steel 56HRC~	SSEBW	SSEBWV	SSEBWZ	Selectable	1
	SSE2BW	SSE2BWV	SSE2BWZ		2
	SSEBWL	SSEBWL	SSEBWLZ	Configurable	1
	SSE2BWL	SSE2BWL	SSE2BWLZ		2
	Carbon Steel 58HRC~	SEBW	SEBWV	SEBWZ	Selectable
SE2BW		SE2BWV	SE2BWZ	2	
SEBWL		SEBWL	SEBWLZ	Configurable	1
SE2BWL		SE2BWL	SE2BWLZ		2

Heat Resistant Temperature: -20 ~ 80°C
 *H6.5 is for stainless steel only.
 *H6.5 has no precision grade.

- This Type has the same fitting dimensions as the other company products, and thus, can be substituted for them.
- Blocks and rails are not sold as separate items. This Type has guaranteed radial clearances and accuracies as sets of blocks and rails.

H6.5



*For L Configurable, G dimensions differ from those shown in the table below. For details, see P.531.

The number in () is the Number of tapped holes for H6.5.

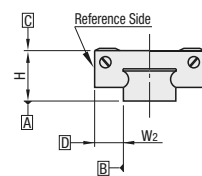
- Precautions for Use**
 - Blocks are equipped with retainers (wire) to prevent balls from falling off. For how to handle the blocks, see P.525.
 - Radial clearances and accuracies are not guaranteed if the blocks and rails are interchanged from the original set combinations.
 - Straight grooves are provided on datum planes. Be sure to match the datum lines when using.
 - Rails cannot be connected end to end.
 - The accuracy of Linear Guides is guaranteed after mounting the rail (after fastening screws on the rail and pushing it onto the datum plane).
 - Minor bending of the rail will be adjusted after being mounted and will not affect the performance.
- Accessory**
 - H6.5 comes with Number 0, Class 1 Phillips button head screws (M2.5x7).
- Others**
 - Filled with Lithium soap based grease (Multemp Grease PS2 by Kyodo Yushi Co., Ltd.).
 - For operating life calculation, see P.527.
 - For operating life calculations, use our free calculation software from http://download.misumi.jp/mol/fa_soft.html.

Part Number	Type	H	L	Block Dimension				Guide Rail Dimension											
				W	L1	B	C	SxL	L2	K	Cb	W1	W2	H1	Ca	Counterbored Hole d1xd2xh	F	G	
Stainless Steel Industry Standard Specifications SSEBW SSE2BW SSEBWL SSE2BWL	SSEBWV SSE2BWV SSEBWL SSE2BWL	SSEBWZ SSE2BWZ SSEBWLZ SSE2BWLZ	6.5	50~130 (70)	17	21	13	-	M2.5x1.5	13.3	5	0.3	10	3.5	4	0.3	3x5x1.6	20	5
			9	50~290 (110)	25	31.1	18	12	M2.6x2.5	20.1	7	0.3	14	5.5	5.2	0.5	3.5x6x3.2	30	10
			12	50~290 (110)	30	38	21	12	M2.6x3	27	9	0.3	18	6	7.5	0.5	3.5x6x4.5	30	10
			14	70~470 (150)	40	44.3	28	15	M3x3.5	30.1	11	0.5	24	8	8	0.5	4.5x8x4.5	40	15
			16	70~670 (190)	60	55	45	20	M4x4.5	40	13	0.5	42	9	9.5	0.5	4.5x8x4.5	40	15
Carbon Steel SEBW SE2BW SEBWL SE2BWL	SEBWV SE2BWV SEBWL SE2BWL	SEBWZ SE2BWZ SEBWLZ SE2BWLZ	6.5	50~130 (70)	17	21	13	-	M2.5x1.5	13.3	5	0.3	10	3.5	4	0.3	3x5x1.6	20	5
			9	50~290 (110)	25	31.1	18	12	M2.6x2.5	20.1	7	0.3	14	5.5	5.2	0.5	3.5x6x3.2	30	10
			12	50~290 (110)	30	38	21	12	M2.6x3	27	9	0.3	18	6	7.5	0.5	3.5x6x4.5	30	10
			14	70~470 (150)	40	44.3	28	15	M3x3.5	30.1	11	0.5	24	8	8	0.5	4.5x8x4.5	40	15
			16	70~670 (190)	60	55	45	20	M4x4.5	40	13	0.5	42	9	9.5	0.5	4.5x8x4.5	40	15

kgf=Nx0.101972 Unit: μm

H	Basic Load Rating/Allowable Static Moment			Mass			
	C (Dynamic) kN	Co (Static) kN	MA N-m	Me N-m	Mc N-m	Block kg	Guide Rail kg/m
6.5	0.5	0.9	2.0	2.0	4.0	0.006	0.28
9	1.4	2.2	7.8	7.8	15.5	0.02	0.50
12	2.3	3.7	13.7	16.3	30.4	0.04	0.96
14	3.5	5.3	20.6	22.3	52.1	0.08	1.40
16	5.8	8.5	40.2	43.6	148	0.15	2.95

Preload and Accuracy Standards



Specifications	Light Preload, High Grade	Light Preload, Precision Grade	Slight Clearance, Standard Grade
Radial Clearance	-3~0	0~+15	0~+15
Height H Tolerance	±20	±10	±20
Pair Variation of Height H	±15	7	40
Width W2 Tolerance	±25	±15	±25
Pair Variation of Width W2	20	10	40
Running Parallelism of Plane C against Plane A	See P.525		
Running Parallelism of Plane D against Plane A	See P.525		

*Slight Clearance Type has clearance (Gap) between rails and blocks. If precision / rigidity is required, select Light Preload Type.

H	L	Unit Price							
		Stainless Steel				Carbon Steel			
		SSEBW	SSE2BW	SSEBWZ	SSE2BWZ	SEBW	SE2BW	SEBWZ	SE2BWZ
6.5	50	-	-	-	-	-	-	-	-
	70	-	-	-	-	-	-	-	-
	90	-	-	-	-	-	-	-	-
	110	-	-	-	-	-	-	-	-
	130	-	-	-	-	-	-	-	-
9	50	-	-	-	-	-	-	-	-
	80	-	-	-	-	-	-	-	-
	110	-	-	-	-	-	-	-	-
	140	-	-	-	-	-	-	-	-
	170	-	-	-	-	-	-	-	-
12	200	-	-	-	-	-	-	-	-
	230	-	-	-	-	-	-	-	-
	260	-	-	-	-	-	-	-	-
	290	-	-	-	-	-	-	-	-
	14	50	-	-	-	-	-	-	-
80		-	-	-	-	-	-	-	-
110		-	-	-	-	-	-	-	-
140		-	-	-	-	-	-	-	-
170		-	-	-	-	-	-	-	-
16	200	-	-	-	-	-	-	-	-
	230	-	-	-	-	-	-	-	-
	260	-	-	-	-	-	-	-	-
	290	-	-	-	-	-	-	-	-
	310	-	-	-	-	-	-	-	-
16	350	-	-	-	-	-	-	-	-
	390	-	-	-	-	-	-	-	-
	430	-	-	-	-	-	-	-	-
	470	-	-	-	-	-	-	-	-
	510	-	-	-	-	-	-	-	-
16	550	-	-	-	-	-	-	-	-
	590	-	-	-	-	-	-	-	-
	630	-	-	-	-	-	-	-	-
	670	-	-	-	-	-	-	-	-

L Dimension Configurable Type (1mm Increment)

H	Unit Price			
	Stainless Steel		Carbon Steel	
	SSEBWL	SSE2BWL	SEBWL	SE2BWL
6.5	-	-	-	-
9	-	-	-	-
12	-	-	-	-
14	-	-	-	-
16	-	-	-	-

*For calculation of L Dimension Configurable Type (1mm Increment), add the above amount to the unit price of the Selectable Type longer than, and closest to this L Dimension Configurable Type.

Ordering Example
 Part Number - L
 SSEBW12 - 200 (LTBC Plating)
 RSEBW12 - 200 (L Type Greased)
 SSEBW12L - 200 (G Type Greased)
 SSEBW12G - 200 (G Type Greased)
 LTBC Plating and various Grease types available as alternative.
 P531

Alterations
 Part Number - L - (MC, RLC, LLC, WC, B3, B4)
 SSE2BWL16 - 450 - MC

Alterations	Code	Spec.															
Tapped Hole	MC	Changes the rail mounting holes from counterbored holes to tapped holes. <table border="1"> <tr><th>H</th><th>MC</th></tr> <tr><td>6.5</td><td>M3</td></tr> <tr><td>9</td><td>M4</td></tr> <tr><td>12</td><td>M4</td></tr> <tr><td>14</td><td>M5</td></tr> <tr><td>16</td><td>M5</td></tr> </table>	H	MC	6.5	M3	9	M4	12	M4	14	M5	16	M5			
H	MC																
6.5	M3																
9	M4																
12	M4																
14	M5																
16	M5																
Rail End Cut	LLC	Cuts rail ends. <table border="1"> <tr><th>H</th><th>L Cut</th><th>N</th></tr> <tr><td>9</td><td>5</td><td>5</td></tr> <tr><td>12</td><td>5</td><td>5</td></tr> <tr><td>14</td><td>5</td><td>5</td></tr> <tr><td>16</td><td>5</td><td>5</td></tr> </table>	H	L Cut	N	9	5	5	12	5	5	14	5	5	16	5	5
H	L Cut	N															
9	5	5															
12	5	5															
14	5	5															
16	5	5															
Rail End Cut	RLC	Rail is cut with the product ID facing out (datum on other side). <ul style="list-style-type: none"> Applicable to Selectable Type only. Overall length will be shorter by cutting. Not applicable to H6.5. Not applicable to L dimension 70 or less. 															
Parallel Use of 2 Rails	WC	Pair variation of Height H between 2 rails is set within 15μm. Rails are shipped in pairs. *Specify the actual rail quantity (even number) to order, not "pairs". *Applicable to High Grade Type only. *Not applicable to low temperature chrome plated products.															
3-Block Specifications	B3	Add 2 blocks to 1-block product to ship as 3-block separate item. *There are restrictions for the L dimension length. See "Selectable Shortest Rail Length" for details. Selection Example: SEBW9-260-B3															
4-Block Specifications	B4	Add 3 blocks to 1-block product to ship as 4-block separate item. *There are restrictions for the L dimension length. See "Selectable Shortest Rail Length" for details. Selection Example: SEBWL14-465-B4															

Additional Block Price (Same Price for Standard/Same Grade) Selectable Shortest Rail Length for B3/B4

H	B3: Price Adder		B4: Price Adder		H	B3 (3-block)	B4 (4-block)
	Stainless Steel	Carbon Steel	Stainless Steel	Carbon Steel			
6.5	-	-	-	-	6	90	110
9	-	-	-	-	9	140	170
12	-	-	-	-	12	140	220
14	-	-	-	-	14	190	230
16	-	-	-	-	16	230	270

Options for Linear Guide

Position Retaining Parts	Block / Rail Fixing Parts
<ul style="list-style-type: none"> Block Derailment Prevention Parts Stopper Bolts 	<ul style="list-style-type: none"> Rail Push Plates Linear Lock Lock Units