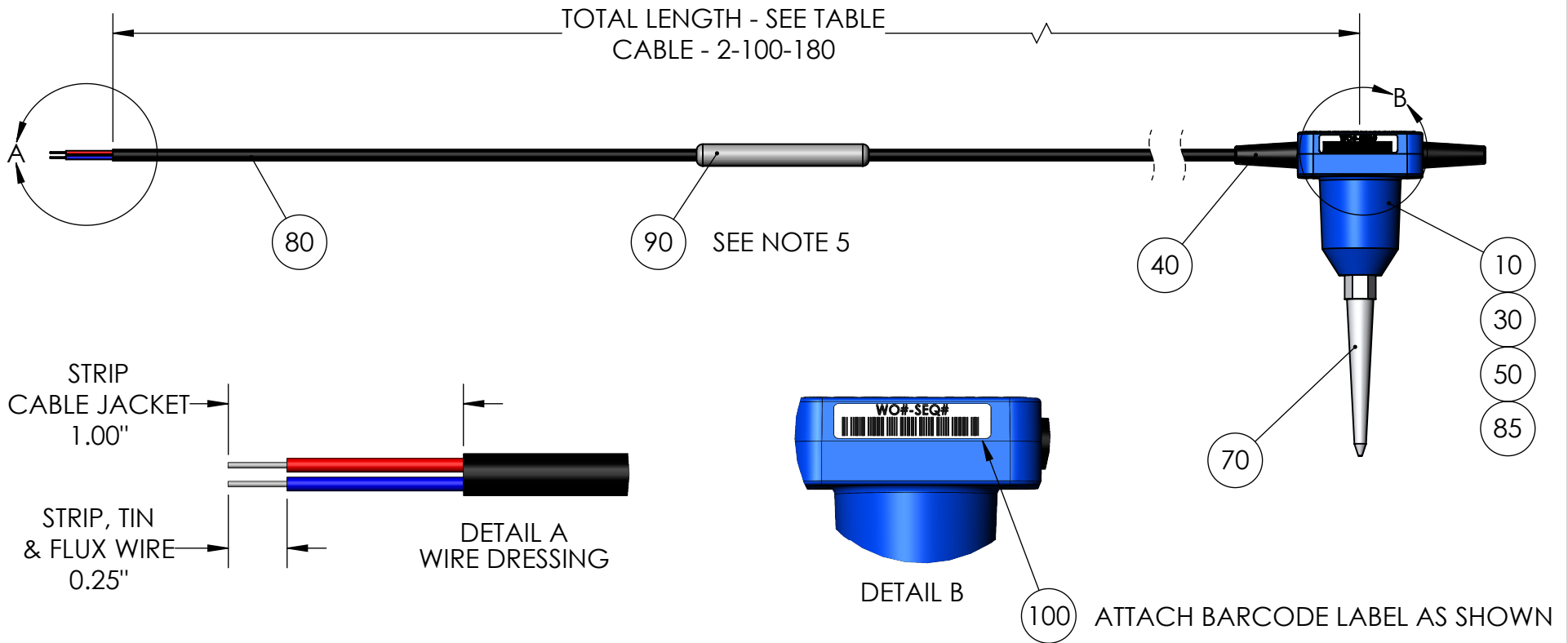


NOTES:

1. CASE COLOR IS BLUE
2. POLARITY: RED TO POSITIVE, BLUE TO NEGATIVE
3. GEOPHONE TYPE: GEO 20DX 10-395 VT (1.00K RESISTOR)
70% DAMPING INTO HIGH INPUT IMPEDANCE RECORDER
4. GEOPHONE SPECIFICATION: S-95974
5. MOLDED ID PLACED 9"-12" FROM OPEN END

GEOSPACE Technologies
 Customer Name
 Cable Description
 WO#-SEQ#, Date MM/YY, P/N GEO92015-XX

REVISIONS				
REV.	ECN	DESCRIPTION	DATE	BY
A	4265	REVISE/RESTRUCTURE BOM	3/8/2007	AT
B	7315	ALL UNITS IN STOCK HAVE 1K RES ALREADY INSTALLED	8/13/2010	RAC
C	8461	BOM CHG, REMOVE 538252 & ADD 190-00077 (QTY 1)	9/27/2011	JG
D	14989	ADD -01 VERSION; UPDATE IN SOLIDWORKS; ADD LABEL	3/2/2016	NN
E	15358	ADD -02 VERSION; UPDATE TABLE	5/18/2016	NN
F	22300	ADD -03; ADD BARCODE LABEL	12/3/2020	NN



DASH	LENGTH
NONE	3'-3" +4"/-0" [1m +.1m/-0m]
-01	75' +9"/-0" [22.86m +.23m/-0m]
-02	50' +9"/-0" [15.24m +.23m/-0m]
-03	10' +9"/-0" [3.05m +.23m/-0m]

UNLESS OTHERWISE SPECIFIED DIMENSIONS ARE IN INCHES TOLERANCES ARE:		DECIMALS .XX±.01 .XXX±.005 .XXXX±.001
ANGLES 1/2°	FRACTIONS ±1/64	
MATERIAL	See BoM	
FINISH	MAXIMUM SURFACE FINISH $\sqrt{125}$ BREAK SHARP EDGES .005 - .010	
Reference: ASME Y14.5-2009		

DRAWN	NN	DATE	3/2/2016
APPROVALS		DATE	
CHECKED			
DESIGNER			
MANUFACTURING			

--NOTICE--
This drawing is copyrighted with all rights reserved. This drawing may not be duplicated in any fashion.

LAND SINGLE
SNG 20DX/LPC-801/OPEN - XXm

SIZE A	DWG NO GEO92015-XX	REV F
SCALE	DO NOT SCALE DRAWING	SHEET 1 OF 1