

ROLLON®
BY TIMKEN

Compact Rail



TO SUPPORT YOU, WE DESIGN AND PRODUCE

An industrialized process with various levels
of customization



For over 40 years, Rollon has adopted an approach entailing responsibility and ethics in the design and production of our linear motion solutions for different industrial sectors. The reliability of an international technology group has now been combined with the availability of a local support and service network

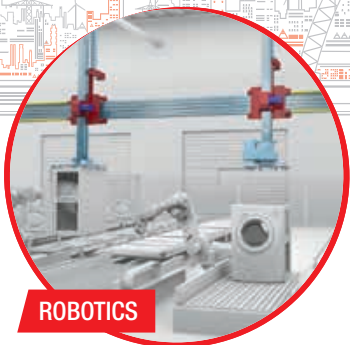


VALUES

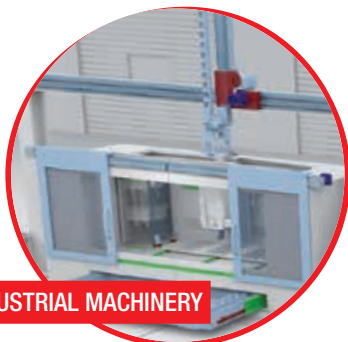
PERFORMANCE



Rollon's goal is to help our clients become more competitive in their markets through technological solutions, design simplification, productivity, reliability, duration, and low maintenance.



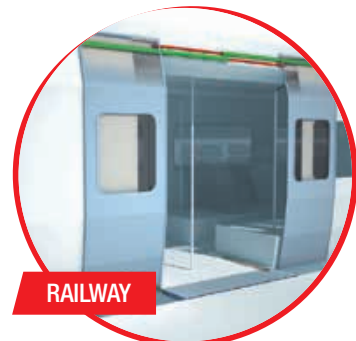
ROBOTICS



INDUSTRIAL MACHINERY



LOGISTICS

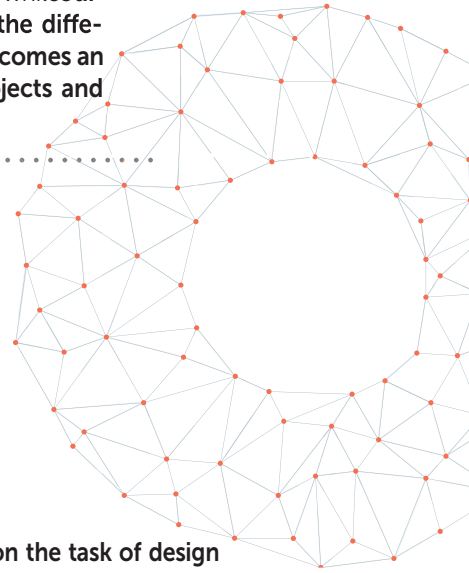


RAILWAY

COLLABORATION



High-level technical consulting and cross-competence allow us to identify the needs of our clients and transform them into guidelines for continuous exchange, while our strong specialization in the different industrial sectors becomes an factor in developing projects and innovative applications.



Rollon takes on the task of design and development of linear motion solutions, taking care of everything for our customers, so that they can concentrate on their core business. We offer everything from individual components to specifically designed, mechanically integrated systems: the quality of our applications is an expression of our technology and competence.

SOLUTIONS APPLICATIONS



INTERIORS AND ARCHITECTURE



MEDICAL



SPECIAL VEHICLES



AERONAUTICS

DIVERSIFIED LINEAR SOLUTIONS FOR EVERY APPLICATION REQUIREMENT

Linear and telescopic rails

Linear Line

Linear and curved rails with ball and roller bearings, with hardened raceways, high load capacity, self-alignment, and capable of working in dirty environments.

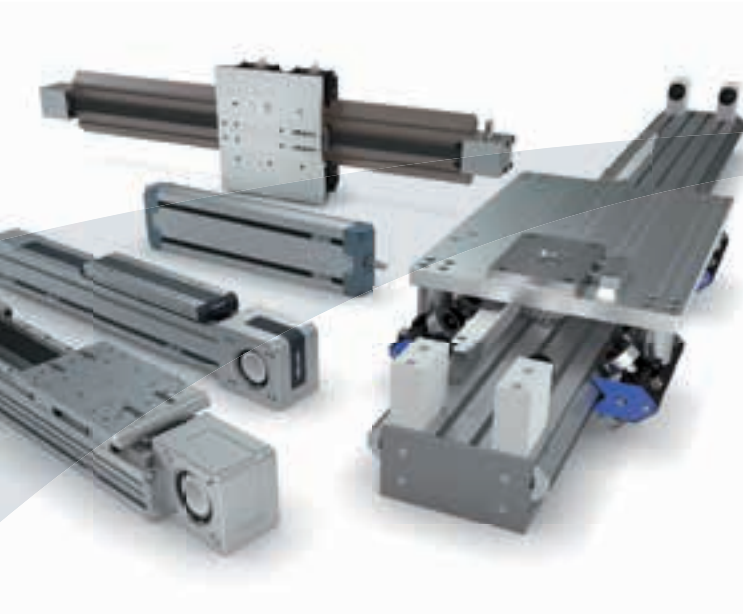


Telescopic Line

Telescopic rails with ball and roller bearings, with hardened raceways, high load capacities, low bending, resistant to shocks and vibrations. For partial, total or extended extraction up to 200% of the length of the guide.



Linear actuators and automation systems



Actuator Line

Linear actuators with different rail configurations and transmissions, available with belt, screw, or rack and pinion drives for different needs in terms of precision and speed. Rails with bearings or ball recycle systems for different load capacities and critical environments.



Actuator System Line

Integrated actuators for industrial automation, used in applications in several industrial sectors: automated industrial machinery, precision assembly lines, packaging lines and high speed production lines. The Actuator Line evolves to satisfy the requests of our most discerning clients.

Content

> Compact Rail



1 Product explanation

The newly designed Rollon guide with double row ball bearings for higher load capacities.

CR-2

2 Technical data

Performance characteristics and notes

CR-5

Configurations and behavior of the slider under yawing moment M_z

CR-6

Load capacities

CR-8

3 Product dimensions

TG / TMG -rail, Rail length

CR-11

R-version slider

CR-12

RD-version slider

CR-14

TG / TMG -rail with sliders

CR-16

Offset of fixing holes

CR-17

4 Accessories

Rollers

CR-18

Wipers, Alignment fixtures, Fixing screws

CR-19

5 Technical Instructions

Linear accuracy

CR-20

Points of contact between rollers and raceways

CR-22

Slider composition

CR-23

V+P/U-system tolerance compensation

CR-24

A+P/U-system tolerance compensation

CR-26

Preload

CR-29

Drive force

CR-30

Lubrication, Slider lubrication

CR-32

Corrosion protection, Speed and acceleration, Operating temperatures

CR-33

6 Installation instructions

Fixing holes

CR-34

Adjusting the sliders

CR-35

Use of radial ball bearing rollers

CR-36

Installing the single rail

CR-37

Parallel installation of two rails

CR-40

Installation of the self-aligning systems

CR-42

Joined Rails

CR-43

Installation of joined rails

CR-44

Ordering key

Ordering key with explanations

CR-45

> Compact Rail



1 Product explanation

Self-aligning linear guides with bearings and C-profile featuring newly designed robust steel slider

CR-48

2 Technical data

Performance characteristics and notes

CR-51

Configurations and behavior of the slider under yawing moment M_y

CR-52

Load capacities

CR-54

3 Product dimensions

Rail T, U, K

CR-58

Rail length

CR-59

NSW/NSA-version slider

CR-60

NSW...L/NSA...L-version slider

CR-61

NSD/NSDA-version slider

CR-63

CS-version slider

CR-66

T-rail with NSW/NSD/CS slider

CR-68

U-rail with NSW/NSD/CS slider

CR-69

K-rail with NSA/NSDA/CSK slider

CR-70

Offset of fixing holes

CR-71

4 Accessories

Rollers

CR-72

Wipers, Alignment fixture AT (for T- and U-rail),

Alignment fixture AK (for K-rail)

CR-73

Fixing screws

CR-74

Manual clamp elements

CR-75

5 Technical instructions

Linear accuracy

CR-76

Supported sides

CR-77

T+U-system tolerance compensation

CR-78

K+U-system tolerance compensation

CR-80

Preload

CR-83

Drive force

CR-85

Lubrication, NSW-slider lubrication

CR-87

CSW-slider lubrication, Corrosion protection, Speed and acceleration,

Operating temperatures

CR-88

6 Installation instructions

Fixing holes

CR-89

Adjusting the sliders, Use of radial ball bearing rollers

CR-90

Installing the single rail

CR-91

Parallel installation of two rails

CR-93

Installation of the T+U- or the K+U-system

CR-95

Joined Rails

CR-96

Installation of joined rails

CR-98

Ordering key

Ordering key with explanations

CR-99

Calculation formulas

Static load

CR-101

Slider load

CR-102

Service life

CR-105

Technical features overview



Reference		Section	Shape of rail	Hardened raceways	Rollon NOX hardening process *3	Self-alignment	Slider		Anticorrosion
Product Family	Product						Balls	Rollers	
Compact Rail		TLC KLC ULC		✓		+++			****
		TG/TMG PLUS		✓	✓	+++			****
X-Rail		TEX TES UES				+++			Available in stainless steel
		TEN/TEP UEN			✓	+++			
Easyslide		SN		✓		++			****
		SNK		✓		+			****
Curviline		CKR CVR CKRH CVRH CKRX CVRX		✓		+			Available in stainless steel
O-Rail		FXRG			✓	+++			****
Prismatic Rail		P		✓		+++			
Speedy Rail		SR35		✓		++			
		SRC48		✓		+			
		SR		✓		+++			
Mono Rail		MR		✓		-			
		MMR		✓		-			****

Reported data must be verified according to the application.

*1 The maximum value is defined by the application.

*2 A longer stroke is available for jointed versions.

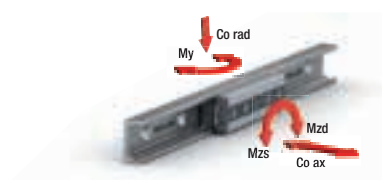
*3 High dept nitride hardening treatment and oxidation.

*4 Value referred to a single bearing, it's possible to configure the numbers of bearings to obtain the desired load capacity.

***C50

****For more information, please contact our technical department.

Size	Max. load capacity per slider [N]		Dynamic coefficient [N] C 100	Max. moment capacity [Nm]			Max. rail length [mm]	Max. speed* [m/s]	Max. acceleration [m/s ²]	Operating temperature
	C ₀ rad	C ₀ ax		M _x	M _y	M _z				
18-28-35 -43-63	15000	10000	36600	350	689	1830	4080* ²	9	20	-20°C/+120°C
18-28-43	10800	7140	15200	110.7	224.3	754	4000* ²	7	15	-20°C/+120°C
20-26-30-40-45	1740	935	****				4000	1.5	2	-20°C/+100°C TEX-UEX -20°C/+120°C TES-UES
TEN: 26-40 TEP: 30 UEN: 40	3240	1150	3670				4000	1,5	2	-30°C/+170°C
22-28-35 -43-63	122000	85400	122000	1120,7	8682	12403	1970	0,8		-20°C/+130°C
43	10858	7600	10858	105	182	261	2000* ²	1,5		-20°C/+70°C
16,5-23	2475	1459	****				3240	1,5	2	-20°C/+80°C
12	4000* ⁴	1190* ⁴	7600* ⁴				4000	9	20	-20°C /+120°C
28-35-55	15000	15000	-	-	-	-	4100* ²	7	20	-10°C/+80°C
35	400	400	-	-	-	-	6500* ²	8	8	-30° C / + 80° C
48	540	400	-	-	-	-	7500* ²	8	8	-30° C / + 80° C
60-90-120- 180-250	14482	14482		-	-	-	7500* ²	15	10	-30° C / + 80° C
15-20-25-30-35- 45-55	249000		155000***	5800	6000	6000	4000* ²	3,5	20	-10°C/+60°C
7-9-12-15	8385		5065	171,7	45,7	45,7	1000* ²	3	250	-20°C/+80°C



C
R

X
R

E
S

C
L

O
R

P
R

S
R

M
R

ROLLON[®]
BY TIMKEN

Compact Rail



New Compact Rail

It simplifies the project, improves the performance and reduces the application cost: **8 main advantages.**



1

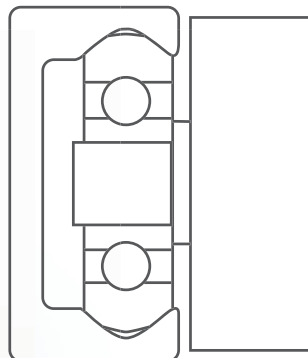
Self-aligning system

- Select the most suitable structure for your project
- Avoid machining the mounting surface
- Reduce the assembly time

Up to 3.9 mm with T+U or K+U rails
Up to 3.5 mm with TG rails

Compact Rail

Configurations of



Rails with different geometries



Single row ball bearings

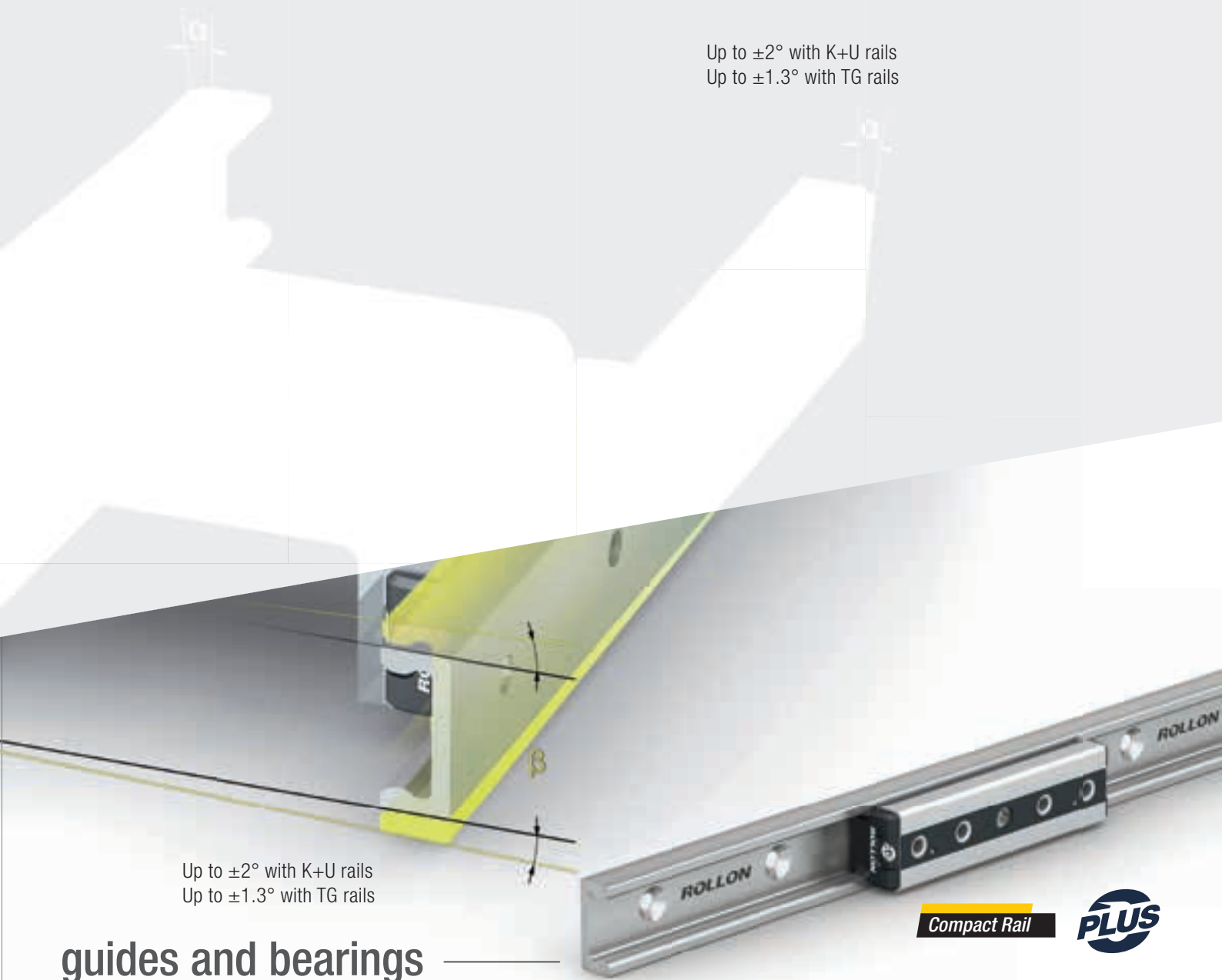
Up to $\pm 2^\circ$ with K+U rails

Up to $\pm 2^\circ$ with K+U rails

Up to 3.9 mm with T+U or K+U rails



Up to $\pm 2^\circ$ with K+U rails
Up to $\pm 1.3^\circ$ with TG rails



Up to $\pm 2^\circ$ with K+U rails
Up to $\pm 1.3^\circ$ with TG rails

guides and bearings

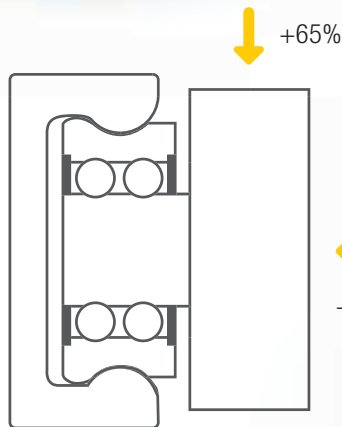


Rail with convex raceways and higher rigidity



+

Double row ball bearings



+170%



* Example referred to size 43.

Up to $\pm 1.3^\circ$ with RP+RA or RU+RA sliders

Up to $\pm 1.3^\circ$ with RP+RA or RU+RA sliders

Up to 3.5 mm with RP+RV or RU+RV sliders





2

Optimal reliability in dirty environments

Lateral sealing for a greater protection against contaminants

New self-centering wiper for an optimal cleansing of the raceways



3

Resistant to corrosion

Different surface treatments make Compact Rail reliable even in the harsher environments

- **Indoor applications:** zinc-plating ISO 2081. Also available with electro-painted black finishing
- **Corrosive environments (umidity):** electrolytic plating with high resistance passivation Rollon Alloy
- **Corrosive environments (acidic or basic):** nichel-plating



4

Long lifetime

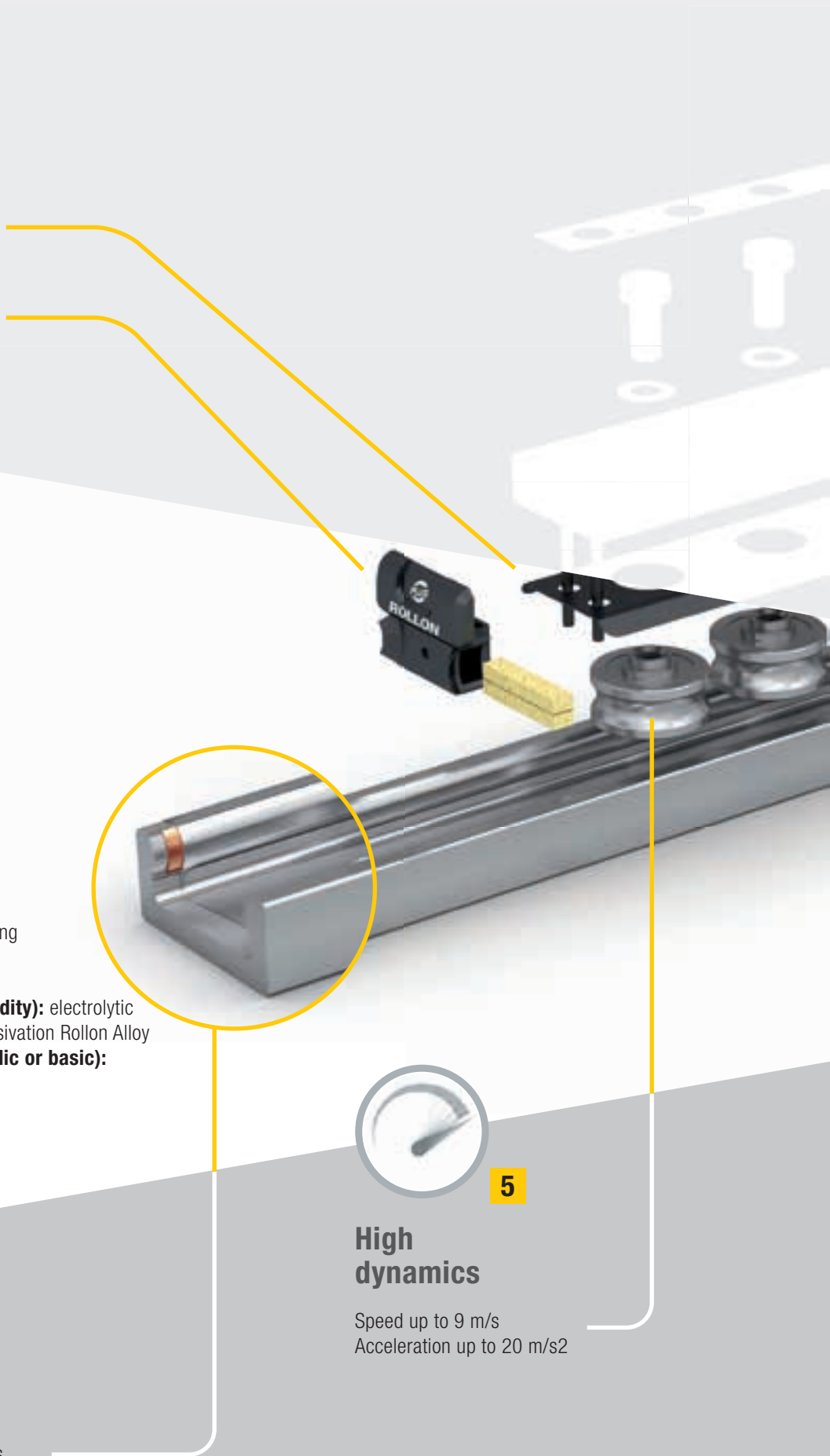
Induction hardened raceways with 1.2 mm effective depth and hardness between 58 and 62 HRC



5

High dynamics

Speed up to 9 m/s
Acceleration up to 20 m/s²



New Compact Rail slider

Improved performance and a new look designed to fit every project perfectly.



6

Low maintenance

Integrated lubrication system with slow release felt and front-access for greasing



7

Uniquely quiet

Ground raceways for a smooth and silent movement



8

Strength and sturdiness

Thanks to steel slider body

ROLLON[®]
BY TIMKEN



Compact Rail



Product explanation



> The newly designed Rollon guide with double row ball bearings for higher load capacities.



Fig. 1

Featuring double row ball bearings, new rigid rails with convex raceways and new robust steel sliders with longitudinal protection and floating wipers, Compact Rail Plus has been designed for the most demanding applications in terms of load capacities, dynamics and work environment. All while maintaining the self-aligning capabilities that make this product family unique.

The rails are made of cold drawn carbon steel, zinc-plated for sizes 28 and 43 and hardened with Rollon-Nox patented process for size 18 (nitriding and black oxidation). Other treatments for higher corrosion resistance are available as an option. For sizes 28 and 43, raceways are induction hardened and ground. The sliders are available in four versions: guiding slider; floating slider; extra-floating slider and rotating slider. Combining two rails with different sliders makes it possible to create self-aligning systems that can compensate misalignment errors on two planes: radial up to $\pm 1.3^\circ$ and axial up to 3.5 mm.

The most important characteristics:

- High radial and axial load capacity
- High rigidity
- Robust steel slider with longitudinal protection and floating wipers
- Self-aligning in two planes
- Induction hardened and ground raceways (size 28 and 43)
- Nitriding and black oxidation and polished raceways (size 18)
- Protected for dirty environments
- High operating speeds
- Wide temperature range
- Two ways to adjust the slider in the guide rail
- Different anticorrosion treatments available for rails and slider bodies

Preferred areas of application:

- Cutting machines
- Medical technology
- Packaging machines
- Photographic lighting equipment
- Construction and machine technology (doors, protective covers)
- Robots and manipulators
- Automation
- Handling

Rail with convex raceways

Rails are made of cold-drawn carbon steel and feature a c-shaped cross-section with interior convex raceways. The rail shape allows protection from accidental bumps and other damages that might occur during usage.

For sizes 28 and 43, the raceways are induction hardened and fine ground and the rail is zinc-plated. Other treatments are available for higher corrosion resistance, these include: Rollon Aloy, Rollon E-coating and nickel plating. For size 18, the rail is treated with Rollon-Nox nitriding and oxidation process that provides a fine black color to the entire rail. Other anticorrosion treatments are not available.

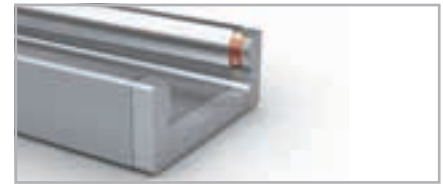


Fig. 2



Fig. 3

R-slider

Robust zinc plated steel slider with sealed double row ball bearing rollers, self-centering heads with wipers, longitudinal seals to protect the internal components and a top sealing strip to prevent accidental tampering of the fixed rollers. The slider body is accurately finished with matte longitudinal edge chamfer and a shining ground flat surface. It is available for all sizes, configurable with up to six rollers depending on the load requirement. Four versions are available to allow different floating capacities and create self-aligning systems: RV guiding slider, RP floating slider, RU extra-floating slider and RA rotating slider.



Fig. 4

RD-slider

Constructed as the R-slider with mounting holes parallel to the direction of preferred loading. It is available for sizes 28 and 43, with three or five rollers, depending on load case and load direction set with the corresponding configuration.



Fig. 5

Self-alignment system: V+P/U

The combination of two rails, one featuring a RV guiding slider and one featuring a RP floating slider or RU extra-floating slider, creates a system that allows to compensate large axial misalignment errors.



Fig. 6

Self-alignment system: A+P/U

The combination of two rails, one featuring a RA rotating slider and one featuring a RP floating slider or RU extra-floating slider, creates a system that allows to compensate misalignment errors on two planes: axial and radial.



Fig. 7

Rollers

The precision rollers have double row ball bearings to provide high load capacities in both radial and axial direction. All rollers are equipped with splash-proof plastic seal (2RS). They are available in three versions: guiding rollers with two contact points on the raceway; floating rollers with one contact point and two lateral shoulders to limit the axial floating; extra-floating rollers with completely flat outer ring for total excursion. All rollers can also be ordered individually, and for size 28 and 43 it is available the stainless steel version.



Fig. 8

Wipers

The slider heads are equipped with special slow release felt pads and are free to rotate with respect to the slider body, so that the felts are always in contact with the raceways to ensure a perfect lubrication. The felts can be grased through a dedicated oil refilling access on the front of the head, simply by means of a syringe oiler.



Fig. 9

Alignment fixture

The alignment fixture is used during installation of joined rails in order to precisely align the rails with each other.



Fig. 10

Technical data

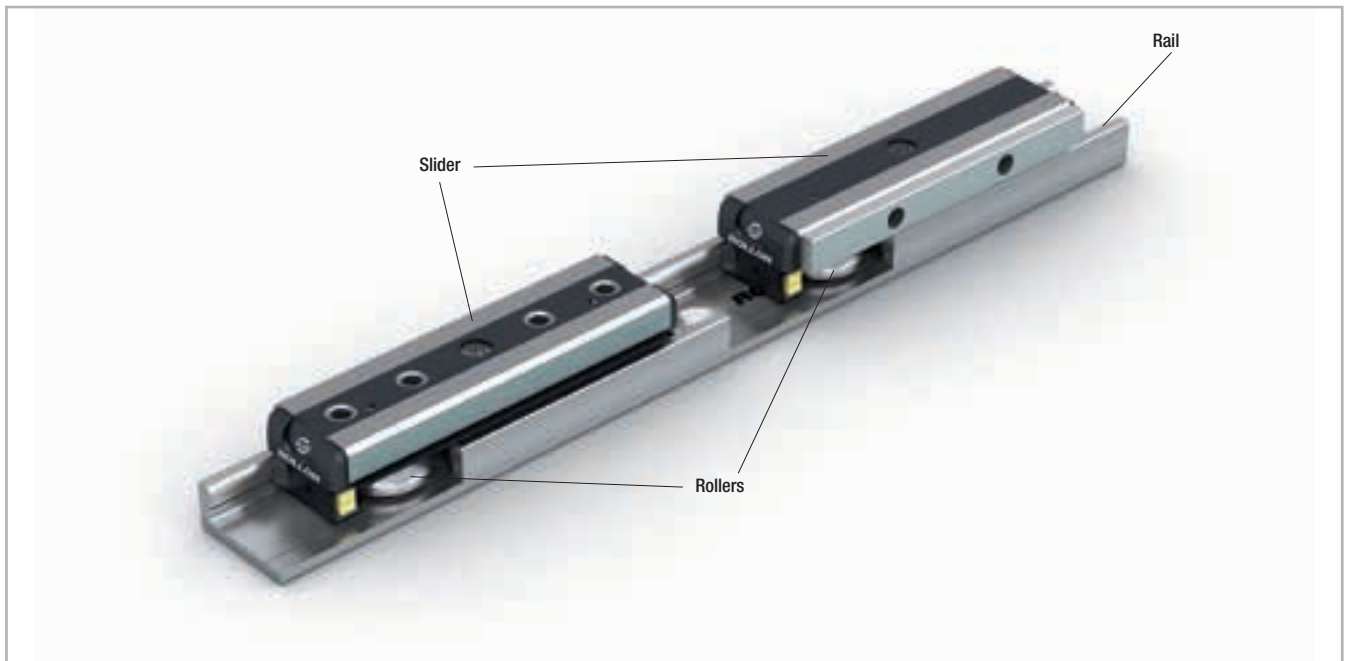


Fig. 11

Performance characteristics:

- Available rail sizes: 18, 28, 43
- Max. operating speed: 7 m/s (276 in/s) (depending on application)
- Max. acceleration: 15m/s² (590.55 in/s²) (depending on application)
- Max. radial load capacity: 10,800 N (per slider)
- Temperature range: -20 °C to +120 °C (-4 °F to +248 °F)
briefly up to max. +150 °C (+302 °F)
- Available rail lengths from 160 mm to 3,600 mm (6.3 in to 142 in)
in 80-mm increments (3.15 in), longer single rails up to max.
4,080 mm (160.6 in) on request for sizes 28 and 43.
- Rollers material: steel 100Cr6 (also available stainless steel AISI 440)
- Roller pins lubricated for life
- Roller seal/shield: 2RS (splash-proof)
- In sizes 28 and 43 rails and slider bodies are standard zinc-plated
according to ISO 2081, raceways are induction hardened and ground.
- In size 18 rails are hardened with Rollon-Nox treatment of deep nitri-
ding and black oxidation and slider bodies are standard zinc-plated
according to ISO 2081.
- Rail material of rails size 28-43: cold-drawn carbon steel CF53
- Rail material of rails size 18: cold-drawn carbon steel 20MnCr5

Notes:

- The sliders are equipped with rollers that are in alternating contact
with both sides of the raceway. Markings on the body around the roller
pins indicate correct arrangement of the rollers to the external load
- With a simple adjustment of the eccentric rollers, the desired clearance
or preload on the rail and slider can be set (see pg. CR-35)
- Rails in joined design are available for longer transverse distances
(see pg. CR-43).
- Screws of property class 10.9 must be used
- When mounting the rails, it is crucial to ensure that the mounting holes
in the structure are properly chamfered (see pg. CR-34 tab. 59)
- The general illustrations show R-sliders as an example
- For rollers size 28 and 43 it is available the stainless steel version
(see pg. CR-18).

> Configurations and behavior of the slider under yawing moment M_z

Individual slider under M_z moment load

When an overhanging load in an application with a single slider per rail causes an M_z moment in one direction, a 4 to 6 roller Compact Rail slider is available. These sliders are available in both configuration A and B in regards to the roller arrangement to counter the acting M_z moment load. The moment capacity of these sliders in the M_z -direction varies significantly through spacing L_1 and L_2 in accordance with the direction of rotation of M_z .

Especially in the use of two parallel rails, it is extremely important to pay attention to the correct combination of the slider configuration A and B, in order to use the maximum load capacities of the slider. The diagrams below illustrate this concept of the A and B configuration for sliders with 4 and 6 rollers. The maximum allowable M_z -moment is identical in both directions for all 3 and 5 roller sliders.

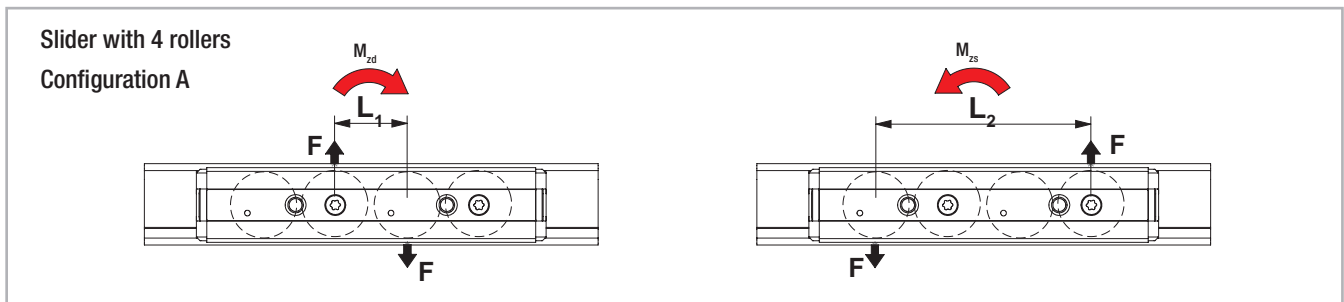


Fig. 12

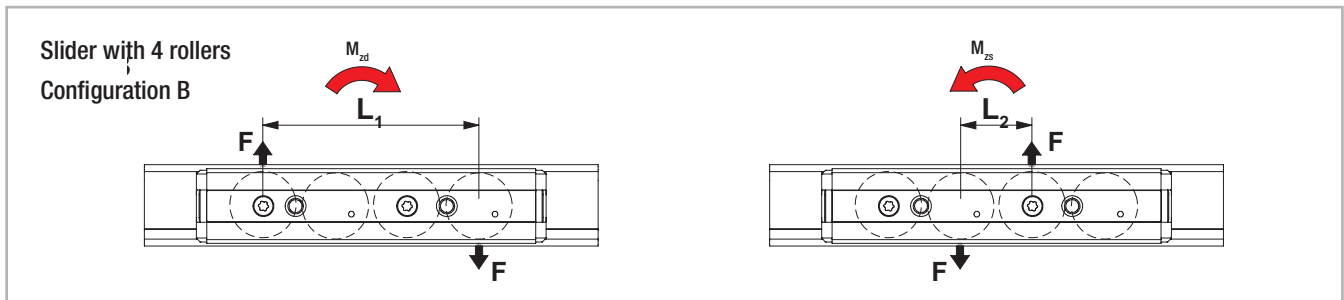


Fig. 13

Two sliders under M_z moment load

When an overhanging load acts on an application with two sliders per rail and causes an M_z -moment in one direction, different support reactions occur on the two sliders. For this reason, an optimal arrangement of slider configurations must be achieved to reach the maximum load capacities. In practice, when using R-sliders with 3 or 5 rollers, the two sliders must be installed rotated by 180° so that the slider is always loaded on the side with the highest number of rollers.

For an even number of rollers this has no effect. The RD-sliders with installation option from above or below cannot be installed due to the position of the rollers in reference to the installation side, therefore they are available in the configurations A and B (see fig. 15).

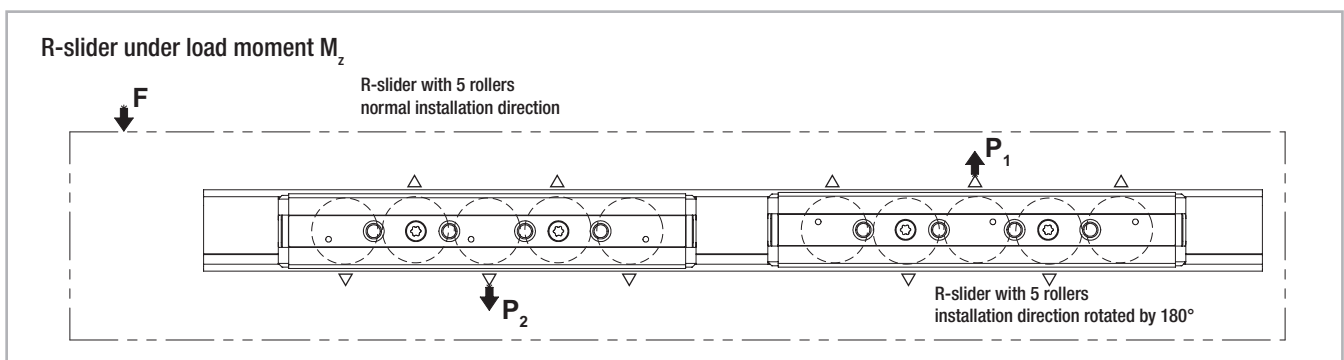


Fig. 14

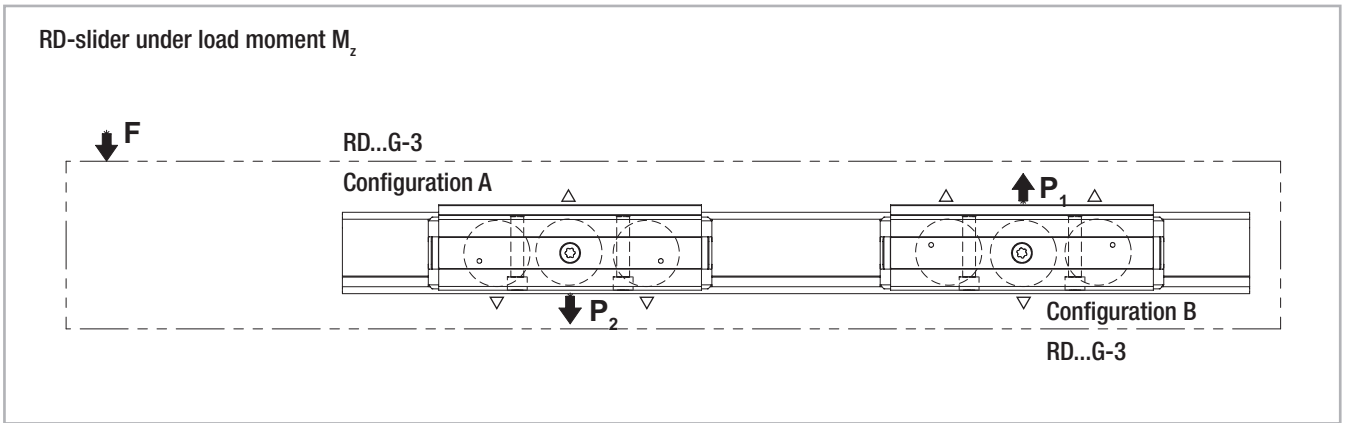


Fig. 15

Slider configurations for various load cases

Arrangement DS

This is the recommended arrangement for use of two sliders under M_z -moment when using one rail. Also see previous page: Two sliders under M_z moment load.

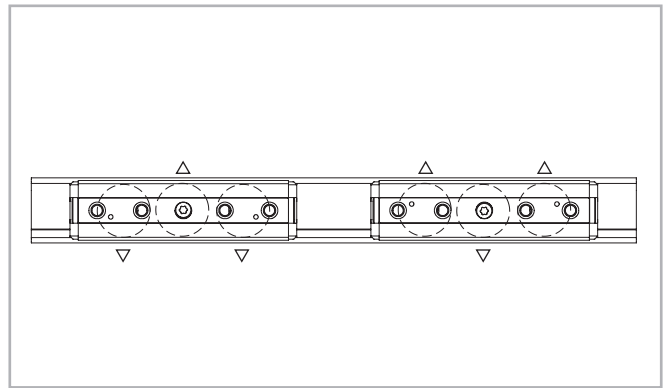


Fig. 16

Arrangement DD

When using a pair of guide rails with two sliders each under M_z moment load, the second system should be designed in arrangement DD. This results in the following combination: one guide rail with two sliders in arrangement DS and the other guide rail with 2 sliders in arrangement DD. This allows even load and moment distribution between the two parallel rails.

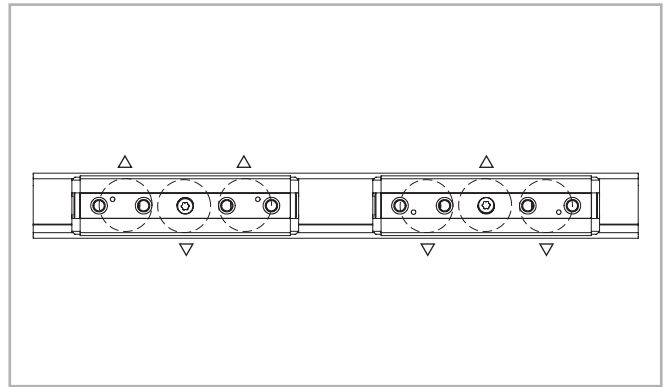


Fig. 17

Arrangement DA

Standard arrangement if no other information is given. This arrangement is recommended if the load point is located within the two outside points of the sliders.

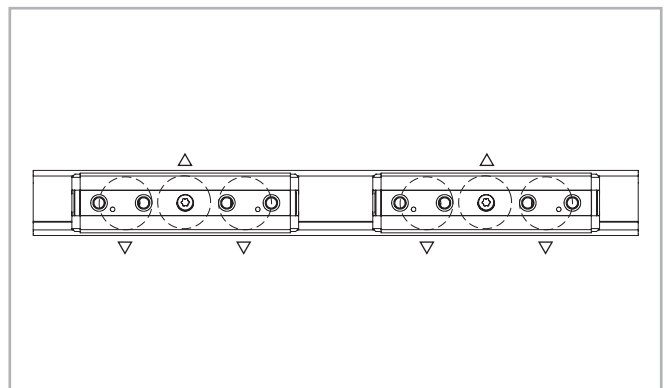


Fig. 18

> Load capacities

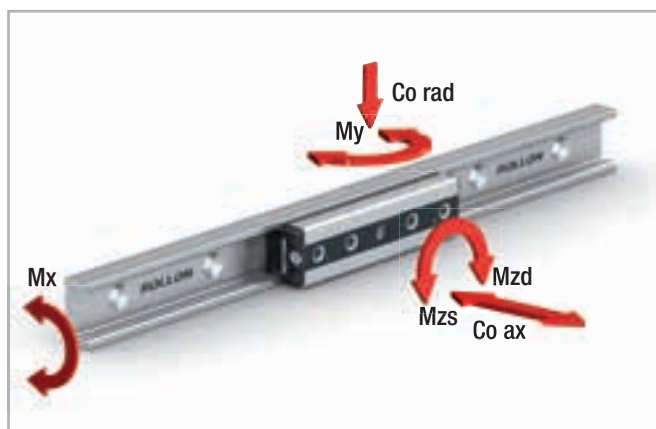


Fig. 19

The load capacities in the following table apply for one slider.

The functional characteristic is related to the nominal floating capacity, for more information see pg. CR-22, CR-23.

Type	Number of rollers	Load capacities and moments							Weight [kg]
		C [N]	Co _{rad} [N]	Co _{ax} [N]	M _x [Nm]	M _y [Nm]	M _z [Nm]		
							M _{zd}	M _{zs}	
RVG18-3	3	3300	1600	690	3	8.3	14.4	14.4	0.055
RVG18-4A	4	3300	1600	920	6	13.8	16	48	0.073
RVG18-4B	4	3300	1600	920	6	13.8	48	16	0.073
RVG18-5	5	4455	2160	1150	6	18.4	48	48	0.087
RVG18-6A	6	4455	2160	1380	9	23	48	80	0.105
RVG18-6B	6	4455	2160	1380	9	23	80	48	0.105
RAG18-3	3	3300	1600	460	0	8.3	14.4	14.4	0.055
RAG18-4A	4	3300	1600	460	0	13.8	16	48	0.073
RAG18-4B	4	3300	1600	460	0	13.8	48	16	0.073
RAG18-5	5	4455	2160	690	0	18.4	48	48	0.087
RAG18-6A	6	4455	2160	690	0	23	48	80	0.105
RAG18-6B	6	4455	2160	690	0	23	80	48	0.105
RPG18-3	3	3300	1600	0	0	0	14.4	14.4	0.055
RPG18-4A	4	3300	1600	0	0	0	16	48	0.073
RPG18-4B	4	3300	1600	0	0	0	48	16	0.073
RPG18-5	5	4455	2160	0	0	0	48	48	0.087
RPG18-6A	6	4455	2160	0	0	0	48	80	0.105
RPG18-6B	6	4455	2160	0	0	0	80	48	0.105
RUG18-3	3	2300	1120	0	0	0	10.1	10.1	0.052
RUG18-4A	4	2300	1120	0	0	0	11.2	33.6	0.070
RUG18-4B	4	2330	1120	0	0	0	33.6	11.2	0.070
RUG18-5	5	3105	1512	0	0	0	33.6	33.6	0.084
RUG18-6A	6	3105	1512	0	0	0	33.6	56	0.1
RUG18-6B	6	3105	1512	0	0	0	56	33.6	0.1

Tab. 1

Type	Number of rollers	Load capacities and moments							Weight [kg]
		C [N]	Co _{rad} [N]	Co _{ax} [N]	M _x [Nm]	M _y [Nm]	M _z [Nm]		
							M _{zd}	M _{zs}	
RV28G-3	3	6000	3200	1380	9.2	25.3	44	44	0.24
RV28G-4A	4	6000	3200	1840	18.4	34.5	40	120	0.29
RV28G-4B	4	6000	3200	1840	18.4	34.5	120	40	0.29
RV28G-5	5	8100	4320	2300	18.4	46	120	120	0.36
RV28G-6A	6	8100	4320	2760	27.6	57.5	120	200	0.4
RV28G-6B	6	8100	4320	2760	27.6	57.5	200	120	0.4
RA28G-3	3	6000	3200	920	0	25.3	44	44	0.24
RA28G-4A	4	6000	3200	920	0	34.5	40	120	0.29
RA28G-4B	4	6000	3200	920	0	34.5	120	40	0.29
RA28G-5	5	8100	4320	1380	0	46	120	120	0.36
RA28G-6A	6	8100	4320	1380	0	57.5	120	200	0.4
RA28G-6B	6	8100	4320	1380	0	57.5	200	120	0.4
RP28G-3	3	6000	3200	0	0	0	44	44	0.24
RP28G-4A	4	6000	3200	0	0	0	40	120	0.29
RP28G-4B	4	6000	3200	0	0	0	120	40	0.29
RP28G-5	5	8100	4320	0	0	0	120	120	0.36
RP28G-6A	6	8100	4320	0	0	0	120	200	0.4
RP28G-6B	6	8100	4320	0	0	0	200	120	0.4
RU28G-3	3	4200	2240	0	0	0	30.8	30.8	0.24
RU28G-4A	4	4200	2240	0	0	0	28	84	0.27
RU28G-4B	4	4200	2240	0	0	0	84	28	0.27
RU28G-5	5	5670	3024	0	0	0	84	84	0.33
RU28G-6A	6	5670	3024	0	0	0	84	140	0.39
RU28G-6B	6	5670	3024	0	0	0	140	84	0.39
RDV28G-3A	3	6000	3200	1380	9.2	25.3	44	44	0.28
RDV28G-3B	3	6000	3200	1380	9.2	25.3	44	44	0.28
RDV28G-5A	5	8100	4320	2300	18.4	46	120	120	0.41
RDV28G-5B	5	8100	4320	2300	18.4	46	120	120	0.41
RDA28G-3A	3	6000	3200	920	0	25.3	44	44	0.39
RDA28G-3B	3	6000	3200	920	0	25.3	44	44	0.39
RDA28G-5A	5	8100	4320	1380	0	46	120	120	0.41
RDA28G-5B	5	8100	4320	1380	0	46	120	120	0.41
RDP28G-3A	3	6000	3200	0	0	0	44	44	0.39
RDP28G-3B	3	6000	3200	0	0	0	44	44	0.39
RDP28G-5A	5	8100	4320	0	0	0	120	120	0.41
RDP28G-5B	5	8100	4320	0	0	0	120	120	0.41
RDU28G-3A	3	4200	2240	0	0	0	30.8	30.8	0.25
RDU28G-3B	3	4200	2240	0	0	0	30.8	30.8	0.25
RDU28G-5A	5	5670	3024	0	0	0	84	84	0.38
RDU28G-5B	5	5670	3224	0	0	0	84	84	0.38

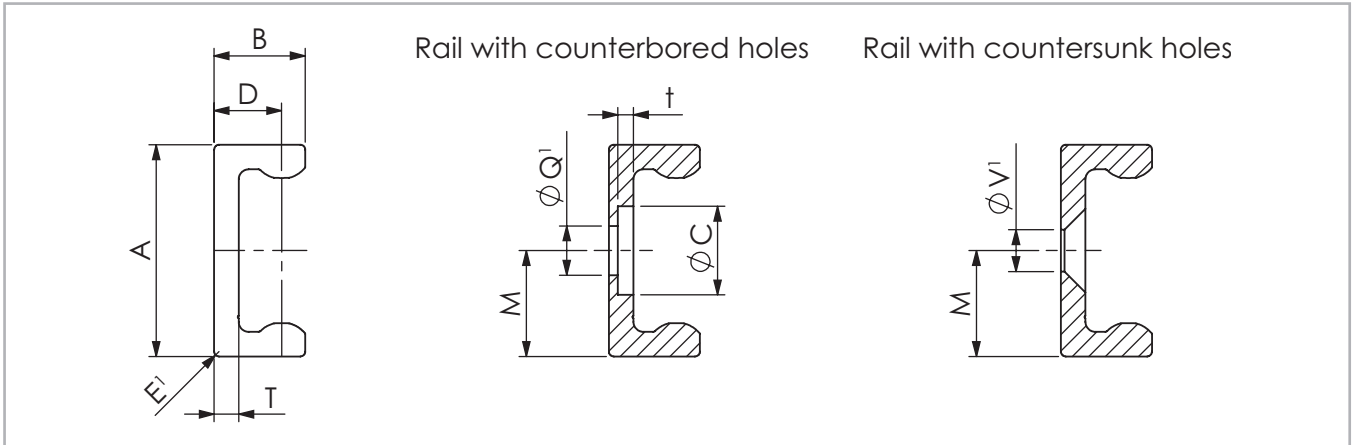
Tab. 2
CR-9

Type	Number of rollers	Load capacities and moments							Weight [kg]
		C [N]	Co _{rad} [N]	Co _{ax} [N]	M _x [Nm]	M _y [Nm]	M _z [Nm]		
							M _{zd}	M _{zs}	
RV43G-3	3	15200	8000	3570	36.9	97.6	164	164	0.77
RV43G-4A	4	15200	8000	4760	73.8	135.7	152	456	0.99
RV43G-4B	4	15200	8000	4760	73.8	135.7	456	152	0.99
RV43G-5	5	20520	10800	5950	73.8	195.2	452.4	452.4	1.19
RV43G-6A	6	20520	10800	7140	110.7	224.3	452.4	754	1.42
RV43G-6B	6	20520	10800	7140	110.7	224.3	754	452.4	1.42
RA43G-3	3	15200	8000	2380	0	97.6	164	164	0.77
RA43G-4A	4	15200	8000	2380	0	135.7	152	456	0.99
RA43G-4B	4	15200	8000	2380	0	135.7	456	152	0.99
RA43G-5	5	20520	10800	3570	0	195.2	452.4	452.4	1.19
RA43G-6A	6	20520	10800	3570	0	224.3	452.4	754	1.42
RA43G-6B	6	20520	10800	3570	0	224.3	754	452.4	1.42
RP43G-3	3	15200	8000	0	0	0	164	164	0.77
RP43G-4A	4	15200	8000	0	0	0	152	456	0.99
RP43G-4B	4	15200	8000	0	0	0	456	152	0.99
RP43G-5	5	20520	10800	0	0	0	452.4	452.4	1.19
RP43G-6A	6	20520	10800	0	0	0	452.4	754	1.42
RP43G-6B	6	20520	10800	0	0	0	754	452.4	1.42
RU43G-3	3	11400	5600	0	0	0	114.8	114.8	0.75
RU43G-4A	4	11400	5600	0	0	0	106.4	319.2	0.96
RU43G-4B	4	11400	5600	0	0	0	319.2	106.4	0.96
RU43G-5	5	15390	7560	0	0	0	316.7	316.7	1.16
RU43G-6A	6	15390	7560	0	0	0	316.7	527.8	1.38
RU43G-6B	6	15390	7560	0	0	0	527.8	316.7	1.38
RDV43G-3A	3	15200	8000	3570	36.9	97.6	164	164	0.85
RDV43G-3B	3	15200	8000	3570	36.9	97.6	164	164	0.85
RDV43G-5A	5	20520	10800	5950	74.8	95.2	452.4	452.4	1.3
RDV43G-5B	5	20520	10800	5950	74.8	95.2	452.4	452.4	1.3
RDA43G-3A	3	15200	8000	2380	0	97.6	164	164	0.85
RDA43G-3B	3	15200	8000	2380	0	97.6	164	164	0.85
RDA43G-5A	5	20520	10800	3570	0	95.2	452.4	452.4	1.3
RDA43G-5B	5	20520	10800	3570	0	95.2	452.4	452.4	1.3
RDP43G-3A	3	15200	8000	0	0	0	164	164	0.85
RDP43G-3B	3	15200	8000	0	0	0	164	164	0.85
RDP43G-5A	5	20520	10800	0	0	0	452.4	452.4	1.3
RDP43G-5B	5	20520	10800	0	0	0	452.4	452.4	1.3
RDU43G-3A	3	11400	5600	0	0	0	114.8	114.8	0.83
RDU43G-3B	3	11400	5600	0	0	0	114.8	114.8	0.83
RDU43G-5A	5	15390	7560	0	0	0	316.7	316.7	1.27
RDU43G-5B	5	15390	7560	0	0	0	316.7	316.7	1.27

Tab. 3

Product dimensions

> TG / TMG -rail



Q' Fixing holes for Torx® screws with low head (custom design) included in scope of supply
 V' Fixing holes for countersunk head screws according to DIN 7991

Fig. 20

Type	Size	A [mm]	B [mm]	M [mm]	E' [mm]	T [mm]	C [mm]	D [mm]	Weight [Kg/m]	t [mm]	Q' [mm]	V' [mm]
TMGC TMGV	18	18	9.5	9	1	2.9	9	7.1	0.68	1.9	M4	M4
TGC TGV	28	28	11.3	14	1	3	11	8.2	1.25	2	M5	M5
	43	43	18.5	21.5	1	5	18	13.7	2.9	3.2	M8	M8

Tab. 4

> Rail length

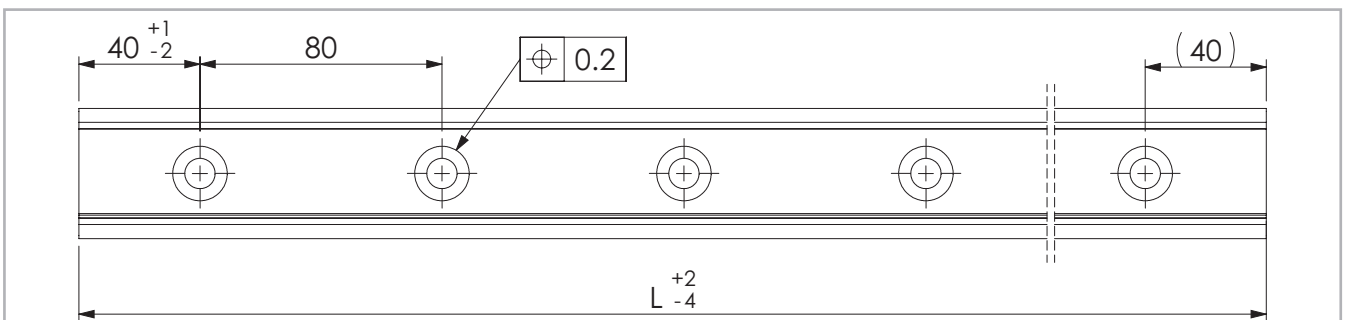


Fig. 21

Type	Size	Min length [mm]	Max length [mm]	Available standard lengths L [mm]
TMGC TMGV	18	240	2960	160 - 240 - 320 - 400 - 480 - 560 - 640 - 720 - 800 - 880 - 960 - 1040 - 1120 - 1200 - 1280 - 1360 - 1440 - 1520 - 1600 - 1680 - 1760 - 1840
TGC TGV	28	160	3600	- 1920 - 2000 - 2080 - 2160 - 2240 - 2320 - 2400 - 2480 - 2560 - 2640
	43	160	3600	- 2720 - 2800 - 2880 - 2960 - 3040 - 3120 - 3200 - 3360 - 3440 - 3520 - 3600

Longer single rails up to max. 4080 mm on request for sizes 28 and 43
 Longer rail systems see pg. CR-43 Joined rails

Tab. 5

> R-version slider

R-series

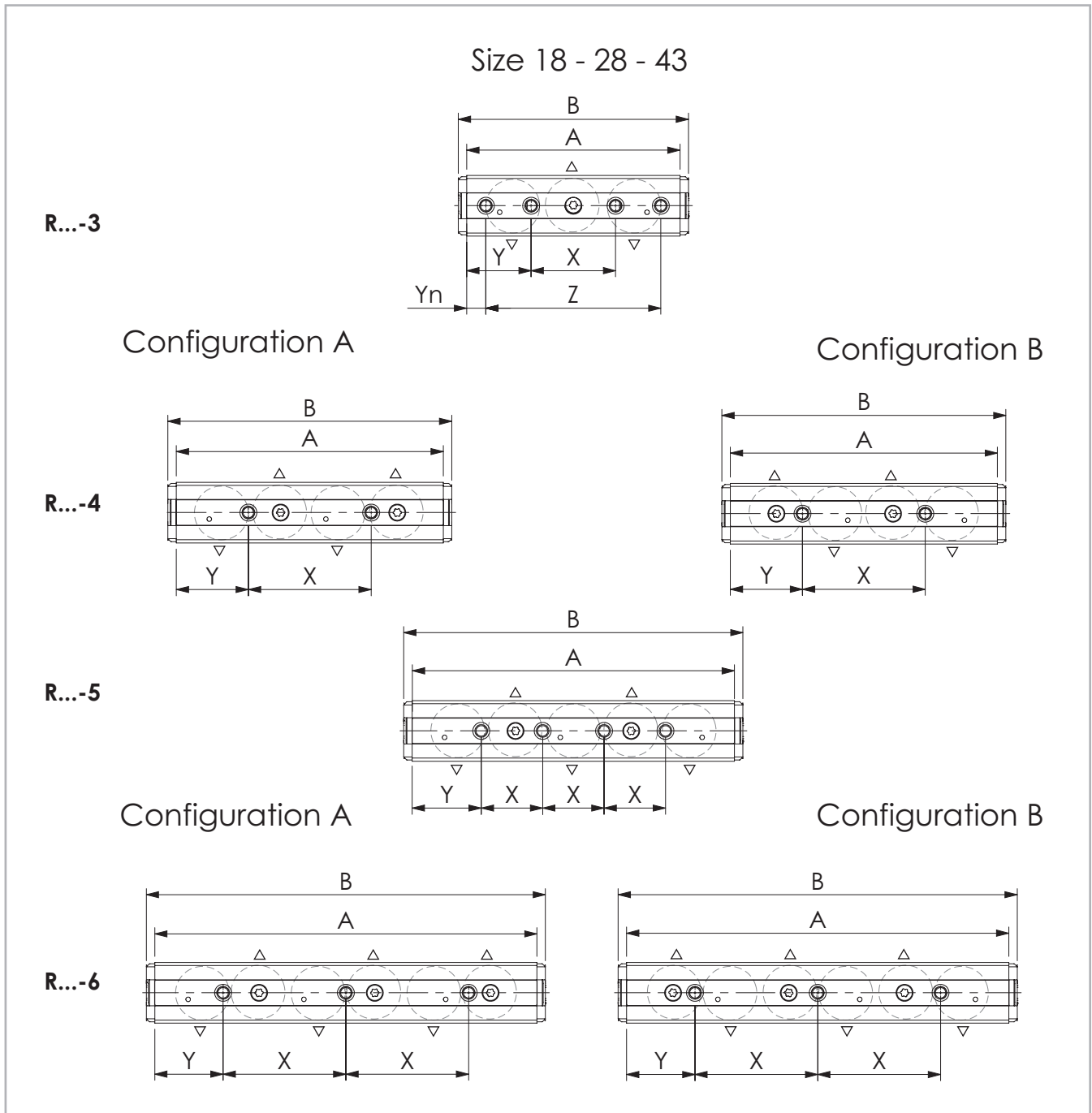


Fig. 22

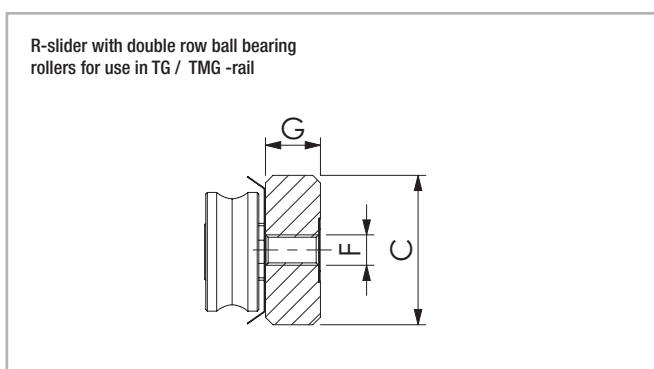


Fig. 23

Type	Size	No. of rollers	A [mm]	B [mm]	C [mm]	G [mm]	F [mm]	X [mm]	Y [mm]	Yn [mm]	Z [mm]	No. of holes
RVG... RAG... RPG... RUG...	18	3	70	78	16	4.8	M5	20	25	9	52	4
		4	92	100				40	26	-	-	2
		5	112	120				20	26	-	-	4
		6	132	140				40	26	-	-	3
RV...G RA...G RP...G RU...G	28	3	97	108	24.9	9.7	M5	35	31	9.5	78	4
		4	117	128				50	33.5	-	-	2
		5	142	153				25	33.5	-	-	4
		6	167	178				50	33.5	-	-	3
	43	3	139	150	39.5	14.5	M8	55	42	12.5	114	4
		4	174	185				80	47	-	-	2
		5	210	221				40	45	-	-	4
		6	249	260				80	44.5	-	-	3

For information about the roller sliders configuration, see pg. CR-22 and CR-23.
For information about the roller type, see pg. CR-18, tab. 10.

Tab. 6

> RD-version slider

RD-series

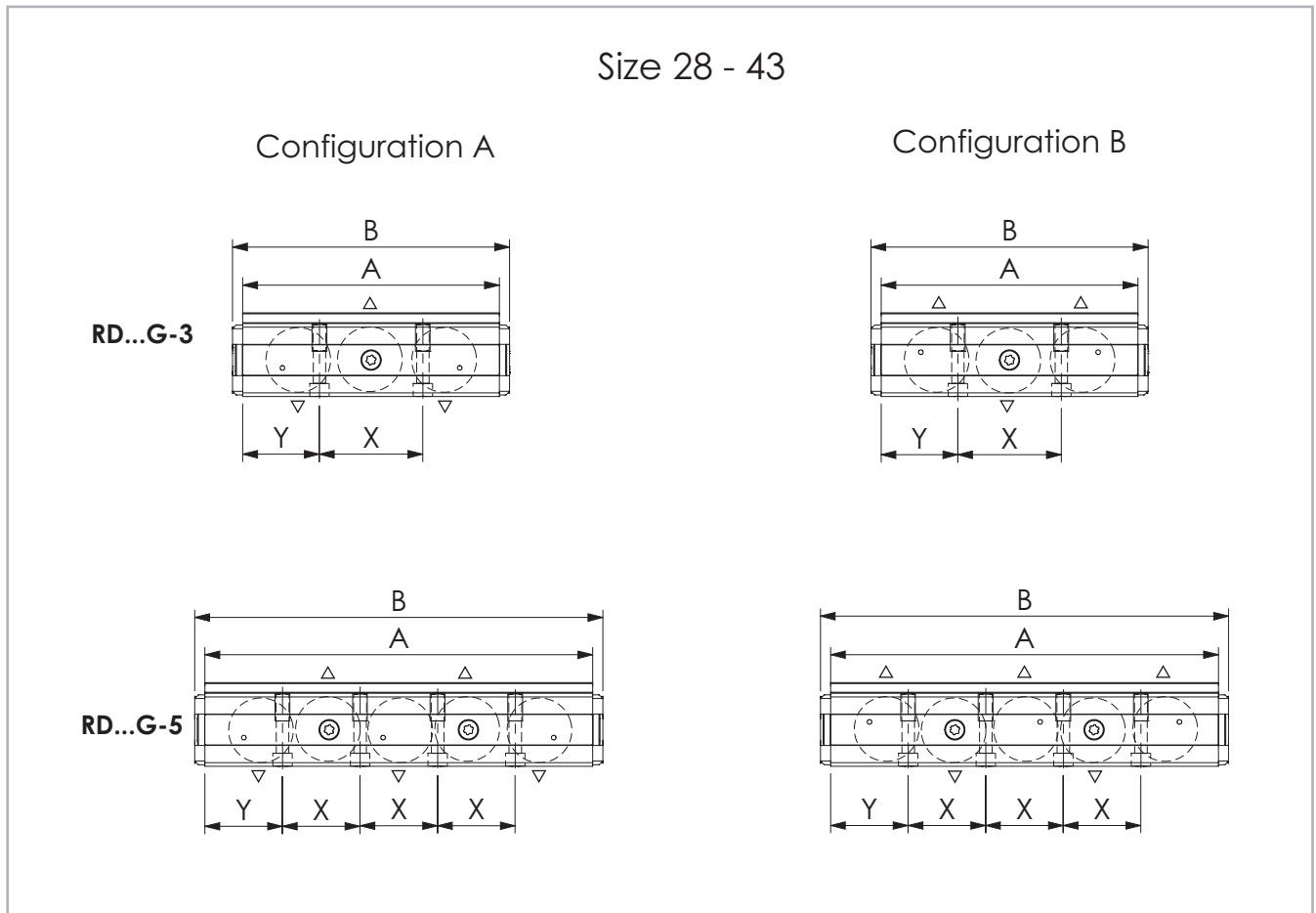


Fig. 24

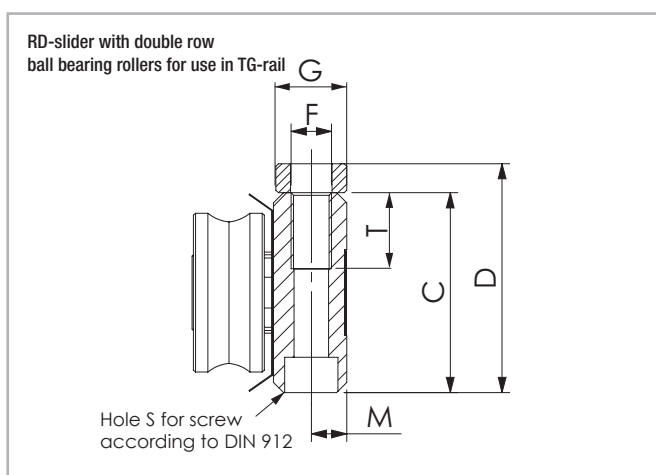


Fig. 25

Type	Size	No. of rollers	A [mm]	B [mm]	C [mm]	D [mm]	T [mm]	M [mm]	S	G [mm]	F	X [mm]	Y [mm]	No. of holes
RDV...G RDA...G RDP...G RDU...G	28	3	97	108	29.4	30.45	15	4.7	M5	9.7	M6	36	30.5	2
		5	142	153								27	30.5	4
	43	3	139	150	39.5	45.25	15	7	M6	14.5	M8	56	41.5	2
		5	210	221								42	42	4

For information about the roller sliders configuration, see pg. CR-22 and CR-23.
For information about the roller type, see pg. CR-18, tab. 10.

Tab. 7

> TG / TMG -rail with sliders

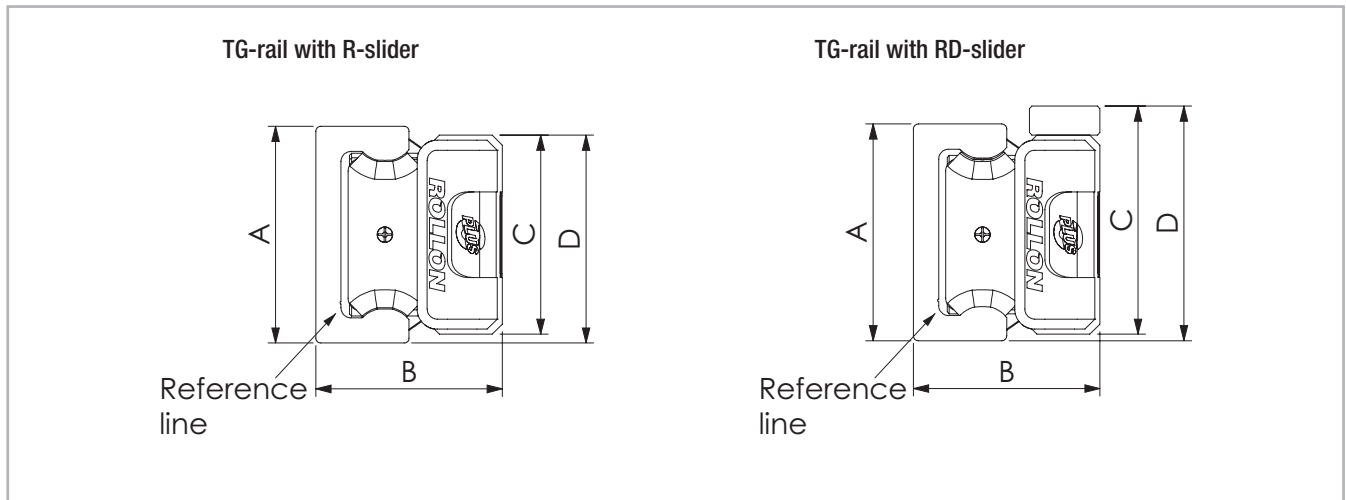


Fig. 26

Configuration	Size	A [mm]		B [mm]		C [mm]		D [mm]	
TMG... / R...G	18	18	+0.2 -0.10	16.5	±0.15	16	0 -0.2	17	+0.2 -0.4
TG... / R...G	28	28	+0.2 -0.10	24	±0.15	24.9	0 -0.2	26.45	+0.2 -0.4
	43	43	+0.3 -0.10	37	±0.15	39.5	0 -0.2	41.25	+0.2 -0.4
TG... / RD...G	28	28	+0.2 -0.10	24	±0.15	24.9	0 -0.2	32	+0.2 -0.4
	43	43	+0.3 -0.10	37	±0.15	39.5	0 -0.2	47	+0.2 -0.4

Tab. 8

> Offset of fixing holes

Principle representation of offset

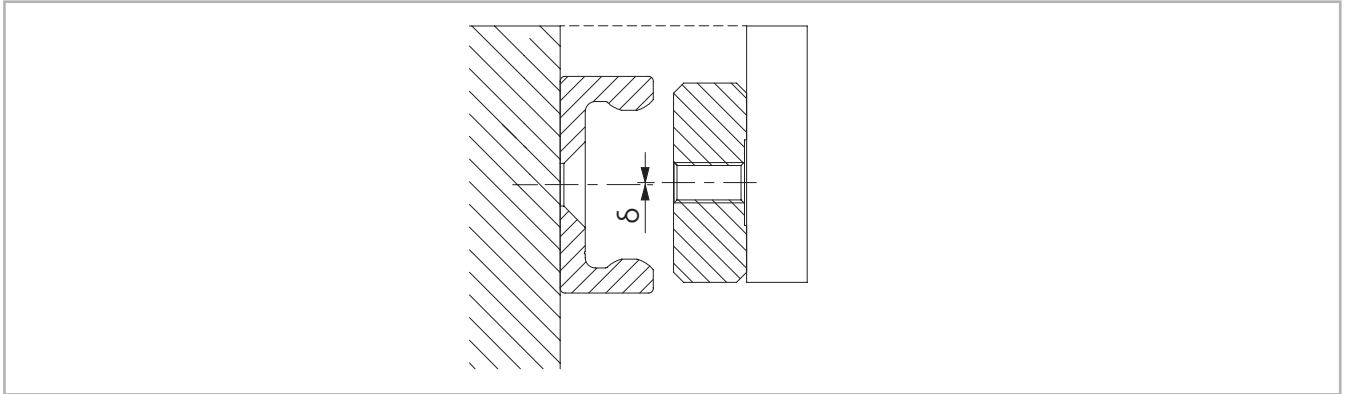


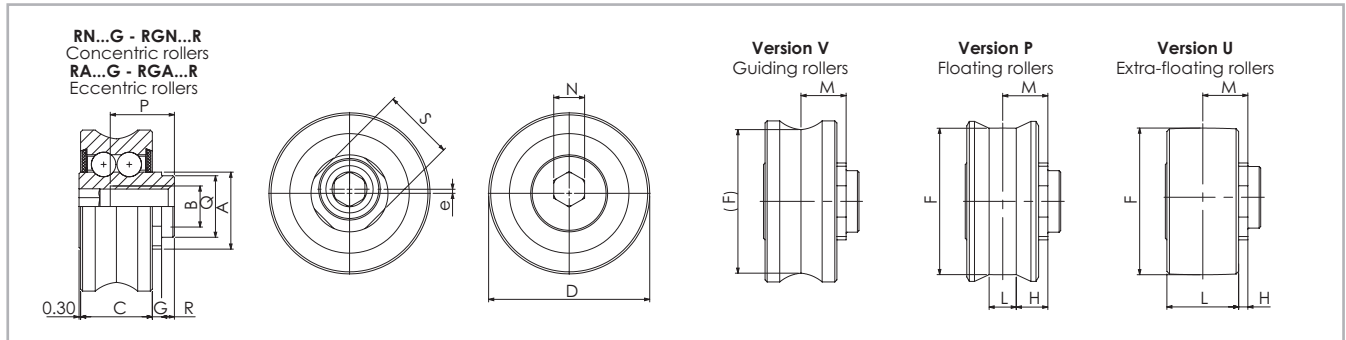
Fig. 27

Configuration	Size	δ nominal [mm]	δ maximum [mm]	δ minimum [mm]
TMG... / R...G	18	0	-0.25	+0.25
TG... / R...G	28			
	43			
TG... / RD...G	28			
	43			

Tab. 9

Accessories

> Rollers



Seals: 2RS splash proof seal.
Note: the rollers are lubricated for life.

Fig. 28

Type		e [mm]	D [mm]	C [mm]	M [mm]	G [mm]	A [mm]	B [mm]	P [mm]	F [mm]	L [mm]	H [mm]	R [mm]	Q [mm]	S	N	C [N]	Co _{rad} [N]	Co _{ax} [N]	Weight [kg]
Steel	Inox																			
RNVG18	-	-	13.2							-	-	-					1650	800	230	0.01
RNPG18	-	-	13.2							11.96	2.5	3.35					1650	800	0	
RNUG18	-	-	11.95							11.95	6	1.6					1150	560	0	
RAVG18	-	-	13.2	7	4.6	1.1	6.8	M4	5.4	-	-	-	-	-	-	3	1650	800	230	
RAPG18	-	0.4	13.2							11.96	2.5	3.35					1650	800	0	
RAUG18	-	-	11.95							11.95	6	1.6					1150	560	0	
RGNV28R	RGNVX28R	-	20.75							-	-	-					3000	1600	460	0.02
RGNP28R	RGNPX28R	-	20.75							18.81	4	4.1					3000	1600	0	
RGNU28R	RGNUX28R	-	18.81							18.81	8	2.1		1.5	8 h7	10	2300	1120	0	
RGAV28R	RGAVX28R	-	20.75	9	6.1	1.6	10.8	M5	8	-	-	-				4	3000	1600	460	
RGAP28R	RGAPX28R	0.6	20.75							11.96	4	4.1					3000	1600	0	
RGAU28R	RG AUX28R	-	18.81							11.95	8	2.1					2300	1120	0	
RGNV43R	RGNVX43R	-	31.4							-	-	-					7600	4000	1190	0.05
RGNP43R	RGNPX43R	-	31.2							28.59	5.3	6.15					7600	4000	0	
RGNU43R	RGNUX43R	-	28.59							28.59	13	2.3		2.5	11 h7	14	5700	2800	0	
RGAV43R	RGAVX43R	-	31.4	14	8.8	1.8	15	M8	12.5	-	-	-				6	7600	4000	1190	
RGAP43R	RGAPX43R	0.8	31.2							28.59	5.3	6.15					7600	4000	0	
RG AU43R	RG AUX43R	-	28.59							28.59	13	2.3					5700	2800	0	

Rollers size 18 are without protruding pin.

Tab. 10

> Wipers

Pair of wipers WR for R- / RD- slider

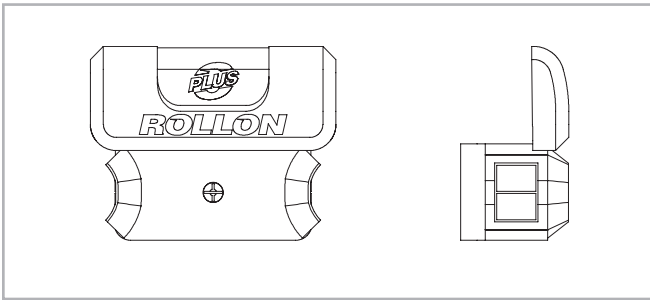


Fig. 29

Rail size	Pair of wipers
18	ZK-WR18G
28	ZK-WR28G
43	ZK-WR43G

Tab. 11

> Alignment fixtures

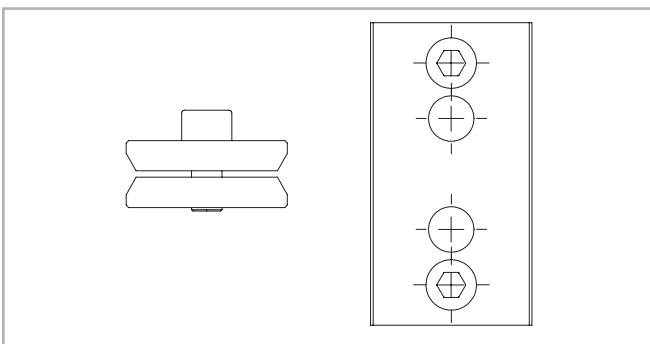


Fig. 30

Rail size	Alignment fixture
18	ATMG18
28	ATG28
43	ATG43

Tab. 12

> Fixing screws

When a rail with counterbored holes is delivered, the Torx® screws are provided in the right quantity.

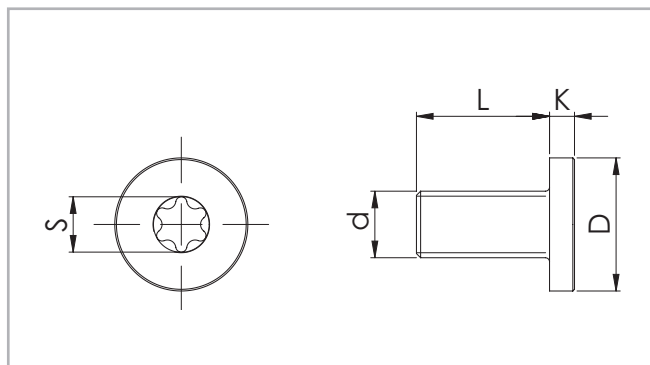


Fig. 31

Rail size	d	D [mm]	L [mm]	K [mm]	S	Tightening torque [Nm]
18	M4 x 0.7	8	8	2	T20	3
28	M5 x 0.8	10	10	2	T25	9
43	M8 x 1.25	16	16	3	T40	22

Tab. 13

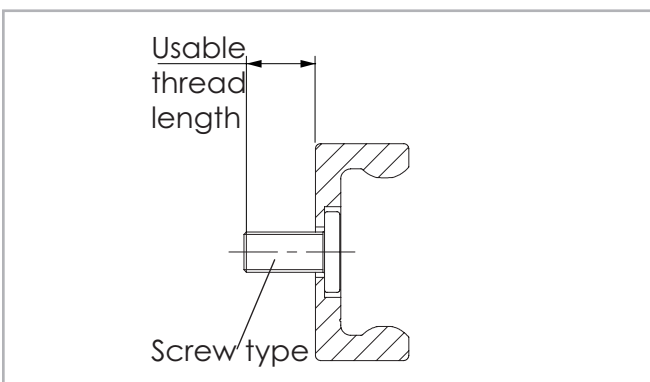


Fig. 32

Rail size	Screw type	Usable thread length [mm]
18	M4 x 8	7.2
28	M5 x 10	9
43	M8 x 16	14.6

Tab. 14

Technical Instructions



> Linear accuracy

Linear accuracy is defined as the maximum deviation of the slider in the rail based on the side and support surface during straight line movement.

The linear accuracy, depicted in the graphs below, applies to rails that are carefully installed with all the provided screws on a level and rigid foundation.

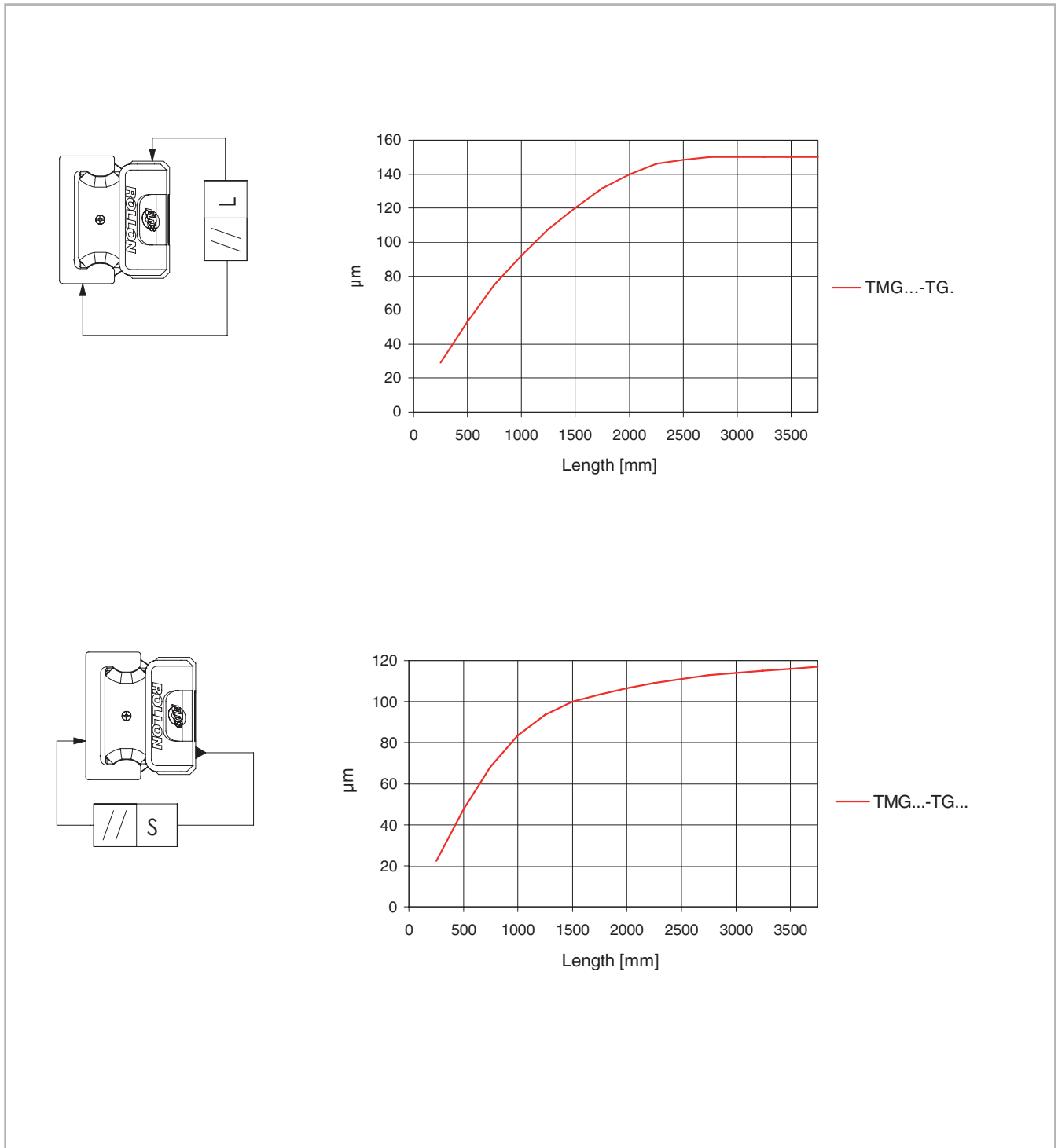
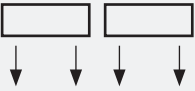
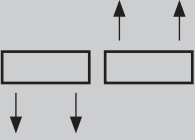


Fig. 33

Deviation of accuracy with two 3 roller sliders in one rail

Type	
ΔL [mm] Slider with equal arrangement 	0.2
ΔL [mm] Slider with opposite arrangement 	1.0
ΔS [mm]	0.05

Tab. 15

> Points of contact between rollers and raceways

Guiding rollers (Version V)

The guiding rollers have two contact points with the raceways. This creates a well constrained movement of rollers on the raceway, in both radial and axial direction.

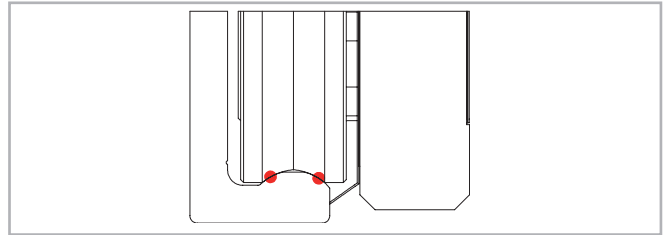


Fig. 34

Floating rollers (Version P)

The floating rollers engage only the peak of the raceway. They are constrained radially but allowed to float in the axial direction between the two shoulders. The rollers can also rotate a little.

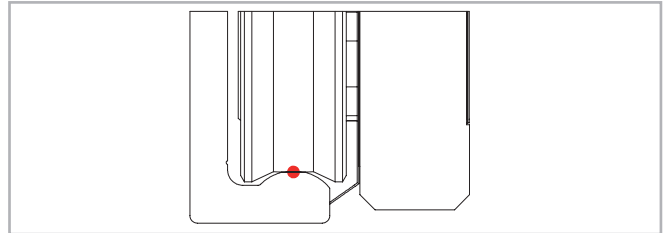


Fig. 35

Extra-floating rollers (Version U)

The extra-floating rollers engage only the peak of the raceway. They are constrained radially but allowed to float in the axial direction without limitation. The completely flat surface of the rollers allows an axial travel wider than the floating rollers, and they can also rotate a little.

(Note: being free from lateral shoulders, extra-floating rollers could run out of the rail or against the bottom rail when exceeding the nominal floating capacity)

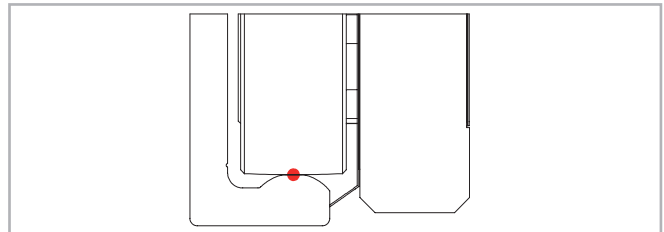


Fig. 36

> Sliders composition

Guiding sliders (RV -slider)

Guiding sliders are built only with guiding rollers. For this reason, they are completely constrained and can support loads and moments in all directions, especially the radial ones.

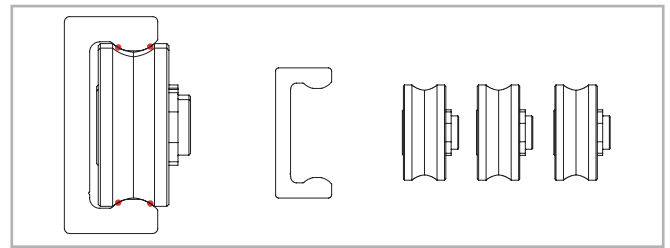


Fig. 37

Floating sliders (RP -slider)

Floating sliders are built only with floating rollers. They are able to slightly travel axially and to rotate a bit without affecting the preload or the smooth running quality.

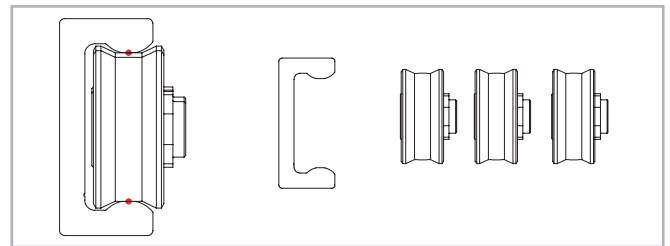


Fig. 38

Extra-floating sliders (RU -slider)

Extra-floating sliders are built only with extra-floating rollers. They are able to fully travel axially and to rotate a bit without affecting the preload or the smooth running quality. (Note: being free from lateral shoulders, extra-floating sliders could run out of the rail or against the bottom rail when exceeding the nominal floating capacity).

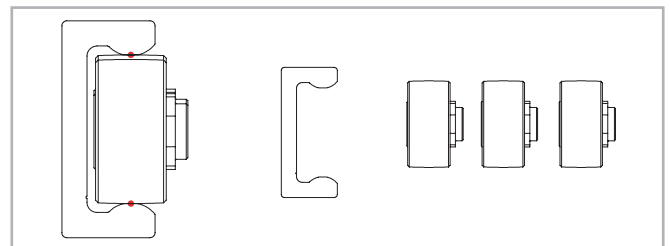


Fig. 39

Rotating sliders (RA -slider)

Rotating sliders are built mixing guiding and floating rollers. They are able to carry full radial load and retain the ability to guide the payload as it travels, while also rotating a bit without affecting the preload or the smooth running quality. Rotating sliders are used to absorb angular errors in the mounting surfaces.

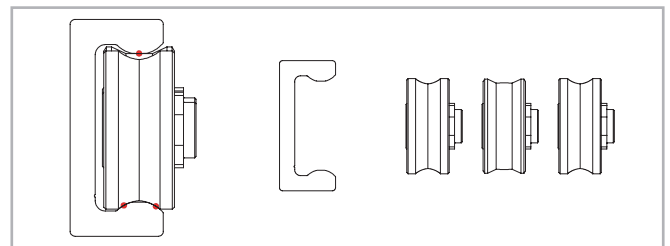


Fig. 40

> V+P/U-system tolerance compensation

Axial deviations in parallelism

This problem occurs fundamentally by insufficient precision in the axial parallelism of the mounting surfaces, which results in an excessive load on the slider and thus causes drastically reduced service life.

The combination of two rails, one featuring a RV-slider and one featuring a RP-slider or RU-slider, creates a system that allows to compensate large axial misalignment errors. The limit is set by the axial misalignment permitted by the RP- or RU-slider.

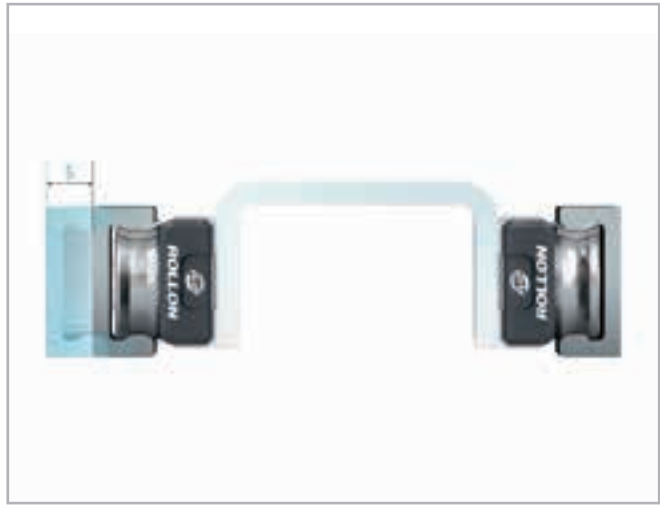


Fig. 41

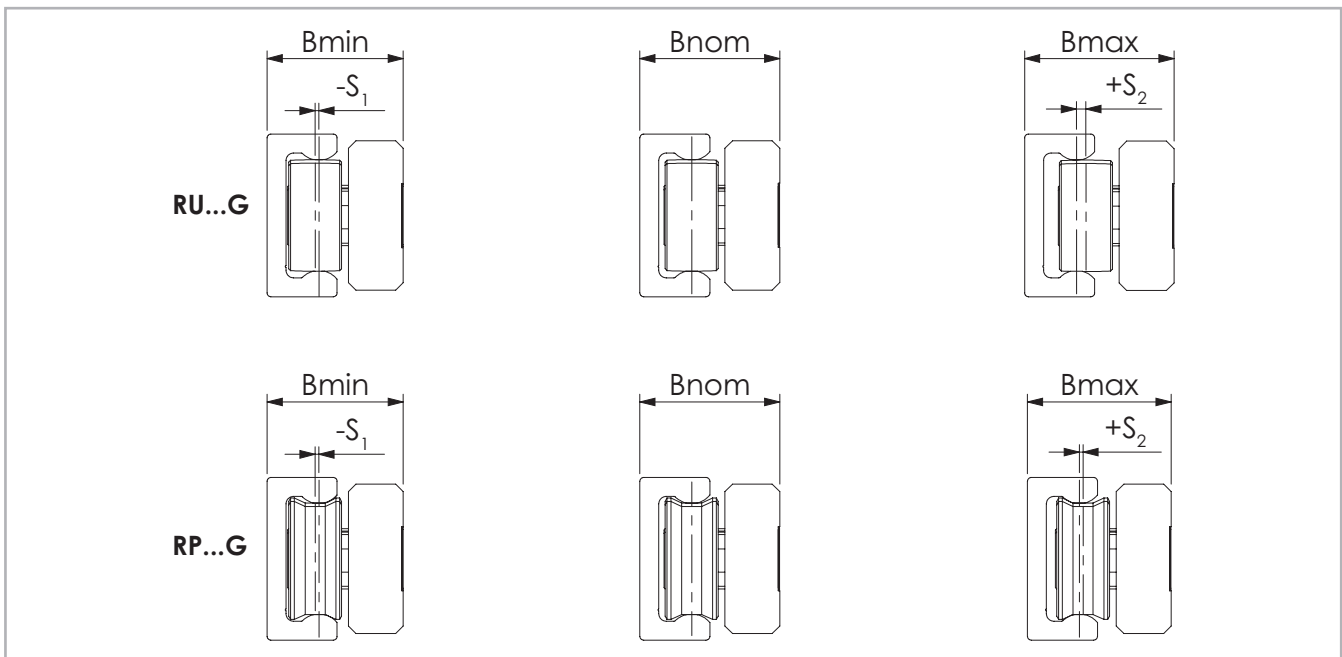


Fig. 16

Maximum offset

RP-sliders feature floating rollers that are able to slightly travel axially between the two shoulders, while RU-sliders feature extra-floating rollers that are able to fully travel axially without constraints. The maximum axial offset that can be compensated is made up of the combined values S_1 and S_2 listed in table 16. Considered from a nominal value B_{nom} as the starting point, S_1 indicates the maximum offset into the rail, while S_2 represents the maximum offset towards the outside of the rail.

Slider type	S_1 [mm]	S_2 [mm]	B_{min} [mm]	B_{nom} [mm]	B_{max} [mm]
RPG18	0.4	0.4	16.1	16.5	16.9
RP28G RDP28G	0.4	0.4	23.6	24	24.4
RP43G RDP43G	1	1	36	37	38
RUG18	0.4	1	16.1	16.5	17.5
RU28G RDU28G	0.4	2	23.6	24	26
RU43G RDU43G	1	2.5	36	37	39.5

Tab. 16

The application example in the adjacent drawing (see fig. 44) shows that the V+P/U-system implements a problem-free function of the slider even with an angled offset in the mounting surfaces.

If the length of the guide rails is known, the maximum allowable angle deviation of the screwed surfaces can be determined using this formula (the floating slider moves here from the innermost position S_1 to outermost position S_2):

$\alpha = \arctan \frac{S^*}{L}$	$S^* = \text{Sum of } S_1 \text{ and } S_2$ $L = \text{Length of rail}$
----------------------------------	--

Fig. 43

The following table (tab. 17) contains guidelines for this maximum angle deviation α , achievable with the longest guide rail from one piece.

Size	Rail length [mm]	Offset S [mm]	Angle α [°]
RPG18	2960	0.8	0.015
RP28G	3600	0.8	0.012
RP43G	3600	2	0.031
RUG18	2000	1.4	0.040
RU28G	3600	2.4	0.038
RU43G	3600	3.5	0.055

Tab. 17

The V+P/U-system can be designed in different arrangements (see fig. 45). A TG-rail with RV-slider accepts the vertical components of load A TG-rail with RP-slider or RU-slider slider attached underneath the component to be guided prevents the vertical panel from swinging and is used as moment support. In addition, a vertical offset in the structure, as well as possible existing unevenness of the support surface, is compensated.

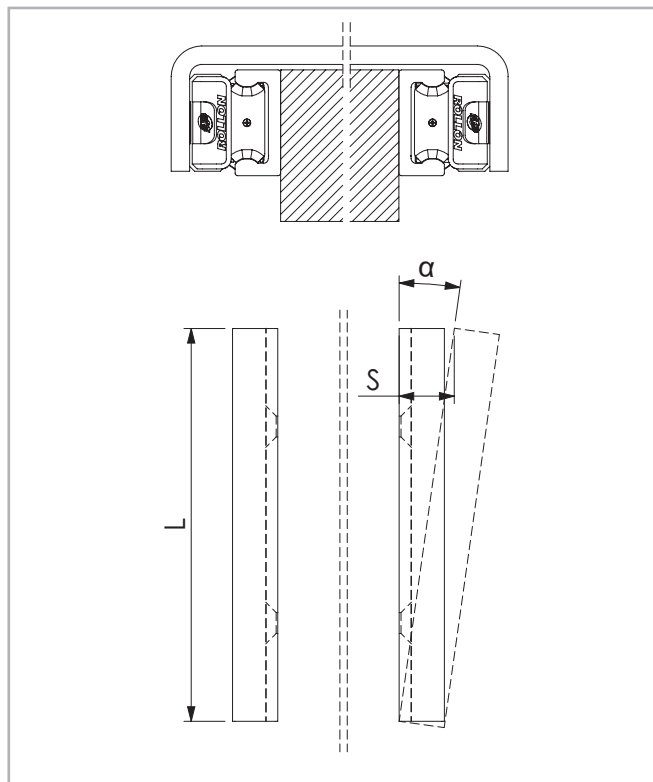


Fig. 44



Fig. 45

> A+P/U-system tolerance compensation

Deviations in parallelism in two planes

The A+P/U-system, like the V+P/U, can compensate for axial deviations in parallelism. The RP- or RU-slider allows to correct the longitudinal parallelism error and, additionally, the RA-slider can rotate in the rail, to compensate for other deviations in parallelism, e.g. height offset.

RA-sliders are built mixing guiding and floating rollers. They carry the full radial load and retain the ability to guide the payload as it travels, while being able to rotate in the rail without affecting the preload or the smooth running quality. The combination of two rails, one featuring a RA-slider and one featuring a RP- or RU-slider, can be used to absorb both axial and angular errors in the mounting surfaces.

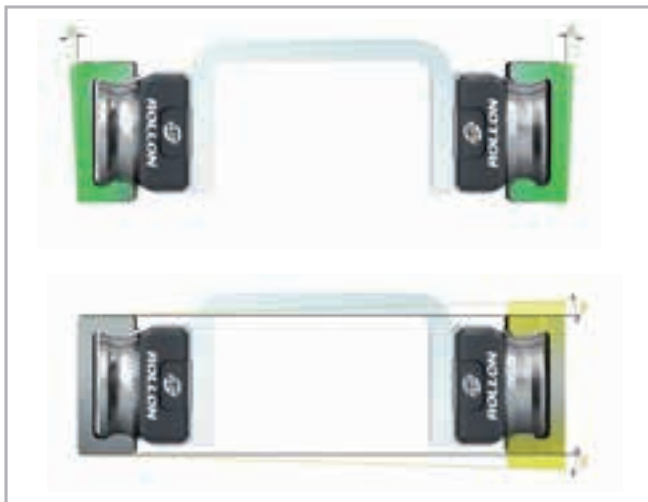


Fig. 46

The maximum allowable rotation angle of the RA-sliders are shown in the following table 18 and figure 47. α_1 is the maximum rotation angle counterclockwise, α_2 is clockwise.

Slider type	α_1 [°]	α_2 [°]
RAG18	1	1
RA28G RDA28G	0.85	0.85
RA43G RDA43G	1.3	1.3

Tab. 18

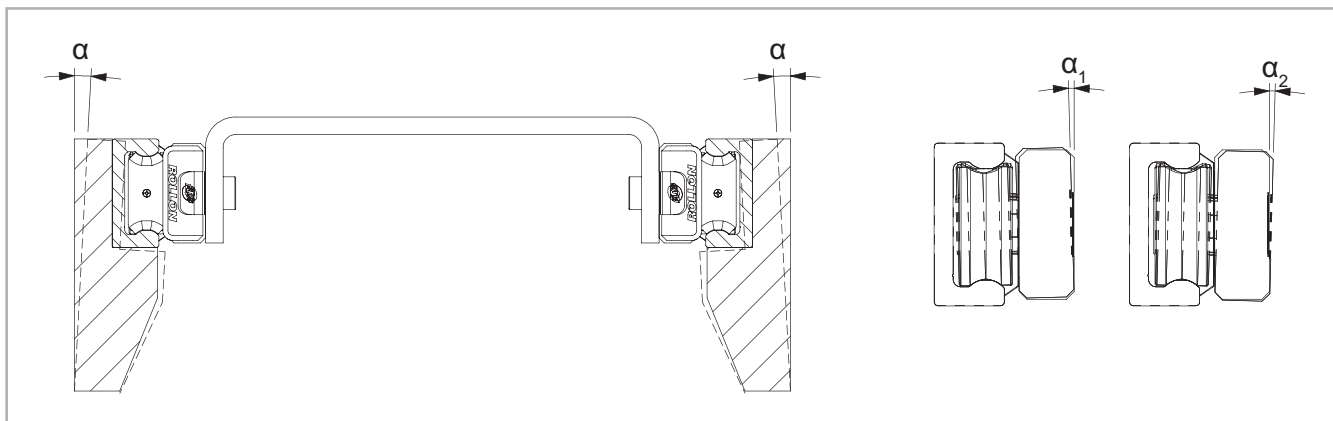


Fig. 47

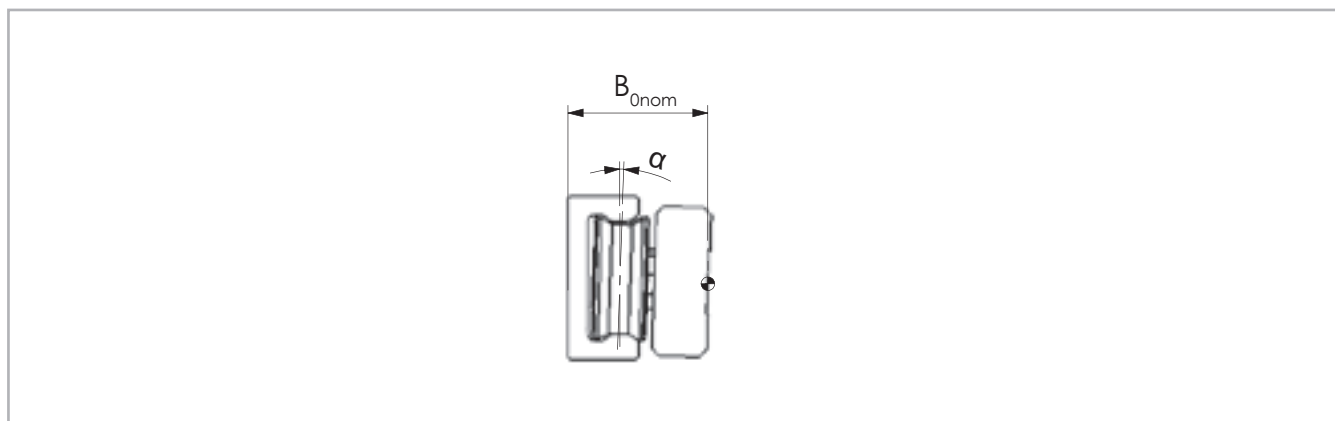


Fig. 48

Maximum offset

It must be noted that the RP- or RU-slider in one rail will turn during the movement and rotation of the RA-slider in the other to allow an axial offset. During the combined effect of these movements, you must not exceed the maximum values (see tab. 19). B_{0nom} is a recommended nominal starting value for the position of a RP- or RU-slider when part of a tolerance compensation system.

Slider type	B_{0nom} [mm]	Angle α [°]
RPG18	16.5	1°
RP28G RDP28G	24	1.7°
RP43G RDP43G	37	2.6°
RUG18	16.5	1°
RU28G RDU28G	24	1.7°
RU43G RDU43G	37	2.6°

Tab. 19

If a RA-slider is used in combination with a RP- or RU-slider with guaranteed problem-free running and without extreme slider load, a pronounced height difference between the two rails can also be compensated. The following illustration shows the maximum height offset b of the mounting surfaces in relation to the distance a of the rails (see fig. 49).

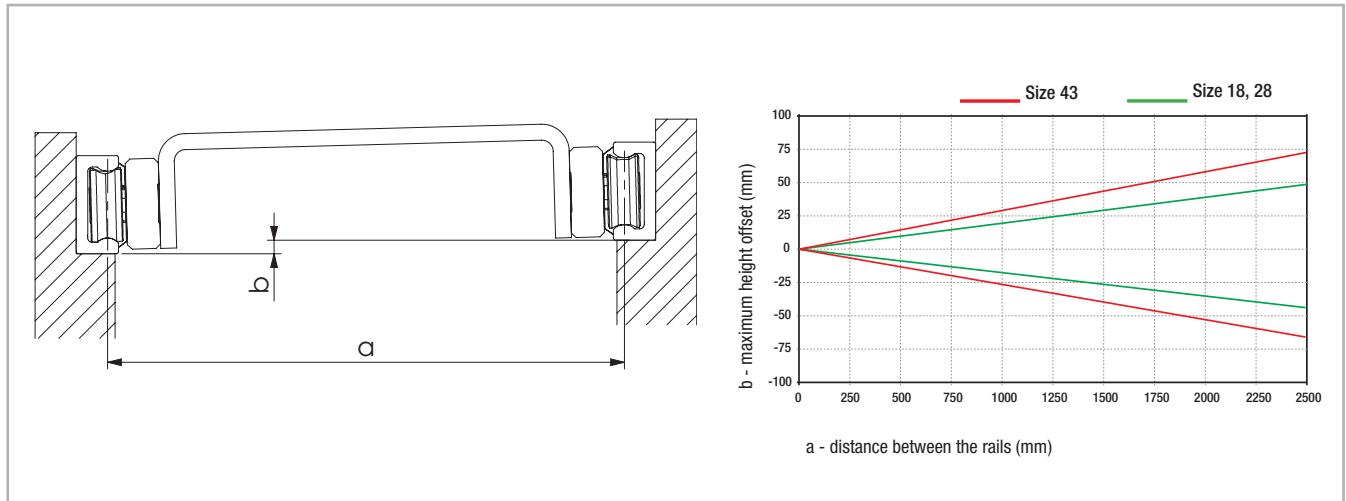


Fig. 49

Even the A+P/U-system can be used in different arrangements. If the same example as with the V+P/U-system is observed (see pg. CR-25, fig. 45), this solution, in addition to the prevention of vibrations and moments, also enables the compensation of larger deviations in parallelism in the vertical direction, without negative consequences to the guide. This is particularly important for longer strokes as it is more difficult to obtain a correct vertical parallelism.



Fig. 50

> Preload

Preload classes

The factory installed systems, consisting of rails and sliders, are available in two preload classes:

Standard preload K1 means a rail-slider combination with minimum preload which means the rollers are adjusted free of clearance for optimal running properties.

Usually preload K2 is used for rail-slider systems for increasing the rigidity. When using a system with K2 preload a reduction of the loading capacities and service life must be taken into consideration (see tab. 20).

Preload class	Reduction y
K1	-
K2	0.1

Tab. 20

This coefficient y is used in the calculation formula for checking the static load and lifetime (see pg. CR-95, fig. 172 and pg. CR 99, fig. 189).

The interference is the difference between the contact lines of the rollers and the raceways of the rail.

Preload class	Interference* [mm]	Rail size
K1	0.01	all
K2	0.03	18
	0.04	28
	0.06	43

* Measured on the largest interior dimension between the raceways

Tab. 21

> Drive force

Frictional resistance

The drive force required for moving the slider is determined by the combined resistance of the rollers, wipers and seals.

The ground raceways and rollers have a minimal coefficient of friction, which remains almost the same in both the static and dynamic state. The wiper and longitudinal seals are designed for an optimum protection of the system, without a significant negative influence on the quality of motion. The overall friction of the Compact Rail also depends on external factors such as lubrication, preload and additional forces. Table 22 below contains the coefficients of friction for each slider type.

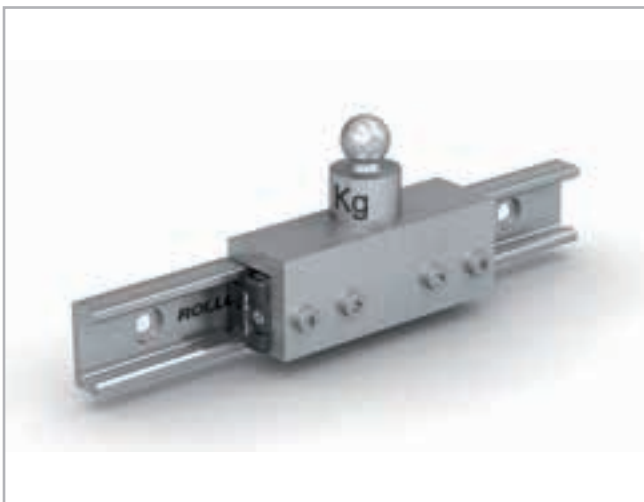


Fig. 51

Size	μ Roller friction	μ_w Wiper friction	μ_s Friction of longitudinal seals
18	0.003	$\frac{\ln(m \cdot 1000)^*}{0.98 \cdot m \cdot 1000}$	0.0015
28	0.003	$\frac{\ln(m \cdot 1000)^*}{0.06 \cdot m \cdot 1000}$	$\frac{\ln(m \cdot 1000)^*}{0.15 \cdot m \cdot 1000}$
43	0.005		

* Kilograms must be used for load m

Tab. 22

The values given in Table 22 apply to external loads, which, with sliders with three rollers, are at least 10 % of the maximum load rating. For calculating the driving force for lower loads, please contact Rollon technical support.

Calculation of drive force

The minimum required drive force for the slider is determined with the coefficients of friction (see tab. 22) and the following formula (see fig. 52):

$$F = (\mu + \mu_w + \mu_s) \cdot m \cdot g$$

$m = \text{mass (kg)}$
 $g = 9.81 \text{ m/s}^2$

Fig. 52

Example calculation:

If a R...43G slider is used with a radial load of 100 kg, the result is $\mu = 0.005$; from the formula the following is calculated:

$$\mu_s = \frac{\ln(100000)}{0.15 \cdot 100000} = 0.00076$$

$$\mu_w = \frac{\ln(100000)}{0.06 \cdot 100000} = 0.0019$$

Fig. 53

This is the minimum drive force for this example:

$$F = (0.005 + 0.0019 + 0.00076) \cdot 100 \cdot 9.81 = 7.51 \text{ N}$$

Fig. 54

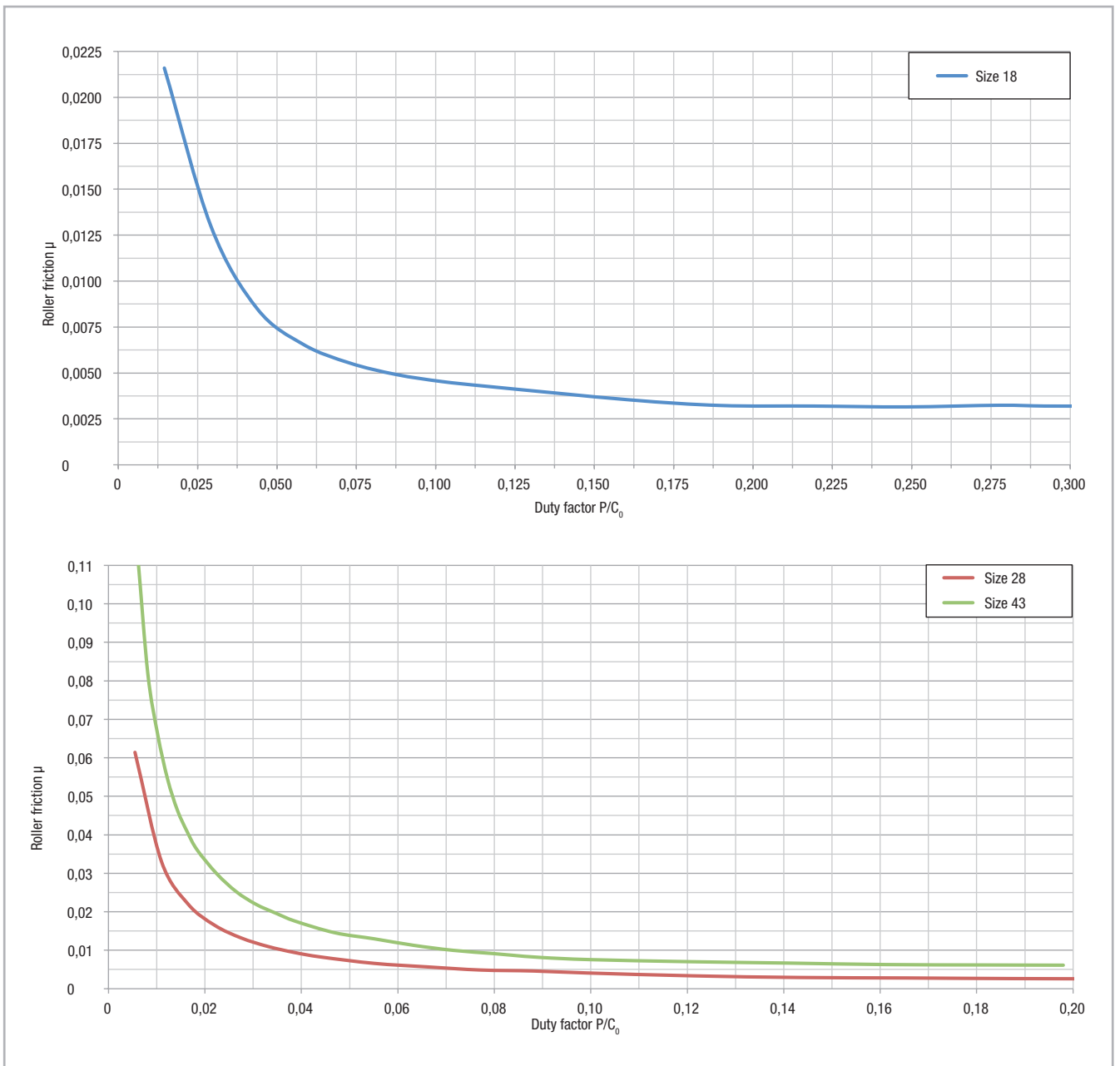


Fig. 55

> Lubrication

Roller pin lubrication

The bearings inside the rollers are lubricated for life. To reach the calculated service life (see pg. CR-101), a film of lubricant should always be

present between the raceway and roller, this also serves to protect against corrosion of the ground raceways.

Lubrication of the raceways

Proper lubrication during normal conditions:

- reduces friction
- reduces wear
- reduces the load of the contact surfaces through elastic deformations
- reduces running noise

> Slider lubrication

The sliders are equipped with wiper heads that include lubricated felts which slowly release oil on the raceways for a long time. The wiper heads can be recharged from the front through a dedicated access hole by means of an oiling syringe.



Fig. 56

The durability of the lubrication delivered by the wiper heads depends on the conditions of use. In the normal clean indoor applications, it is suggested to refill the oil every 0.5 million of cycles, 1000 km or 1 year of use whichever comes first. In different conditions, it could be necessary to refill more often, depending on the level of environment criticality. In case of severe dust and dirt conditions, it is suggested to change the entire wiper head with a new one.

When refilling the oil or the substituting the wiper heads, it is recommended to clean the raceways of the guide.

Lubricant	Thickening agent	Temperature range [°C]	Kinematic viscosity 40°C [mm ² /s]
Mineral oil	Lithium soap	-20... to +120	approx 110

Tab. 23

> Corrosion protection

All rails and slider bodies have a standard corrosion protection system by means of electrolytic-zinc plating according to ISO 2081, except for size 18 rails where the standard treatment is Rollon-Nox hardening. If increased corrosion protection is required, application-specific surface treatments are available upon request for rails and slider bodies sizes 28

and 43, e.g. approved nickel plated for use in the food industry. In this case, the chosen treatment must be specified in the order for both rails and sliders using the appropriate code shown in the table below. For more information contact Rollon technical support.

Treatment	Characteristics
Rollon-Nox	Patented high depth nitride hardening and black oxidation treatment that provides good durability under high loads or frequencies and good corrosion resistance. It is standard for rails size 18 and it's not available for other sizes.
Zinc Plating ISO 2081	Standard treatment for rails sizes 28-43 and all slider bodies, it is ideal for indoor applications. When applied to the rail, it is removed from the raceways by the subsequent grinding process. Zinc-plated sliders are supplied with steel rollers.
Rollon Alloy (Y)	Electrolytic plating with high resistance passivation, ideal for outdoor applications. When applied to the rail, it is removed from the raceways by the subsequent grinding process. Sliders ordered with Rollon Alloy treatment are supplied with stainless steel rollers to further increase the corrosion resistance.
Rollon E-coating (K)	As zinc-plated version with additional electro painting that provides a fine black finishing to the entire rail. When applied to the rail, the slider can partially remove the coating from the raceways on the running contact point after a period of use. Sliders ordered with Rollon E-Coating are supplied with stainless steel rollers to further increase the corrosion resistance.
Nickel Plating (N)	Provides high resistance to chemical corrosion and is ideal for applications in medical or food related environments. When applied to the rail, raceways are coated too. Sliders ordered with Nickel Plating treatment are supplied with stainless steel rollers to further increase the corrosion resistance.

Tab. 24

> Speed and acceleration

The Compact Rail product family is suitable for high operating speeds and accelerations.

Size	Speed [m/s]	Acceleration [m/s ²]
18	3	10
28	5	15
43	7	15

Tab. 25

> Operating temperatures

The temperature range for continuous operation is: -20 °C / +120 °C with occasional peaks up to +150 °C.

Installation instructions

> Fixing holes

V-holes with 90° bevels

The selection of rails with 90° countersunk holes is based on the precise alignment of the threaded holes for installation. Here the complex alignment of the rail to an external reference is omitted, since the rail aligns during installation by the self-centering of the countersunk screws on the existing hole pattern.

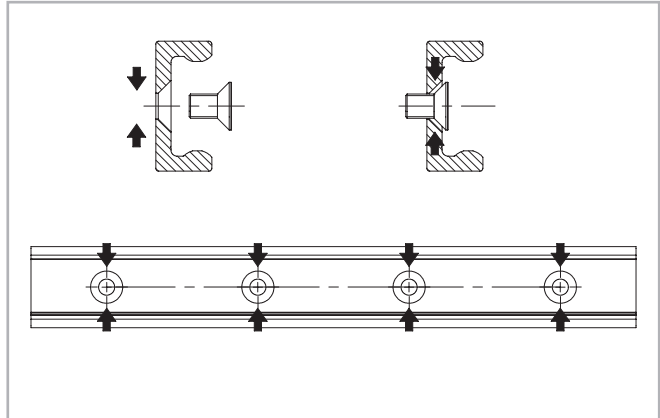


Fig. 57

C-holes with cylindrical counterbore

When a rail with counterbored holes is delivered, the Torx® screws are provided in the right quantity. The cylindrical screw has, as shown, some play in the countersunk fixing hole, so that an optimum alignment of the rail can be achieved during installation (see fig. 58).

The area T is the diameter of the possible offset, in which the screw center point can move during the precise alignment.

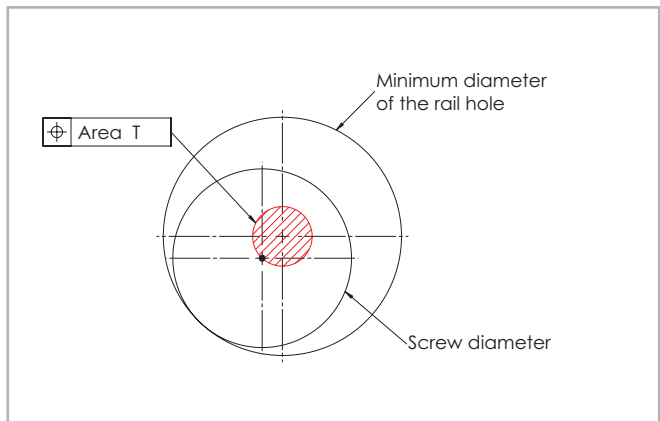


Fig. 58

Rail type	Area T [mm]
TMGC18	∅ 1.0
TGC28	∅ 1.0
TGC43	∅ 2.0

Tab. 26

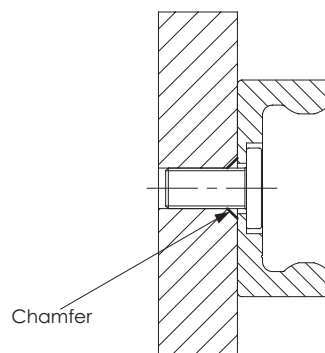
Chamfers

Chamfers must be realized for both C-holes and V-holes rails. The minimum chamfers on the fixing threads are listed on the table below.

Size	Chamfer C-holes [mm]	Chamfer V-holes [mm]
18	0.5 x 45°	0.5 x 45°
28	0.6 x 45°	1 x 45°
43	1 x 45°	1 x 45°

Tab. 27

Example for fixing with Torx® screws (custom design)



Example for fixing with countersunk screws

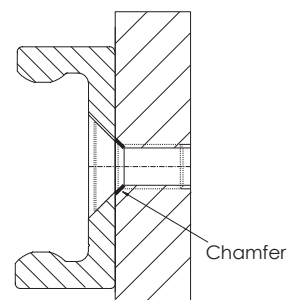


Fig. 59

> Adjusting the sliders

Normally the linear guides are delivered as a system consisting of rail and adjusted sliders. If rail and slider are delivered separately or if the slider is installed in another raceway, the preload must be set again. For size 28 and 43 the preload setting can be done according to one of the following procedures. For size 18, the only procedure available is the one with Allen key.

With flat key

- (1) Verify that the raceways are clean and take the wipers off to obtain a more sensitive feeling for correct preload setting.
- (2) Insert the slider in the rail. Slightly loosen the fixing screws of the eccentric roller pins (unmarked) to be adjusted.
- (3) Position the slider on one end of the rail.
- (4) Insert the included special flat wrench from the side between the rail and the slider. Take care to insert it from one end of the slider, slip it under the lateral sealing and then slide it until the eccentric roller to be adjusted is reached.
- (5) By turning the flat key clockwise, the roller to be adjusted is pressed against the upper track and the slider is then without play. Avoid a preload that is too high. It generates increased wear and reduces the service life.
- (6) While holding the correct position of the roller with the adjustment key, the fixing screw can be carefully tightened. See table 28 for the exact tightening torque.
- (7) Move the slider in the rail and check the preload over the entire length of the rail. It should move easily, and the slider should not have play at any location of the rail.
- (8) For sliders with more than 3 rollers, repeat this process with each eccentric roller. Make sure that all rollers have even contact to the tracks.
- (9) Now tighten the fixing screws with the specified tightening torque from the table while the flat key holds the angle adjustment of the pin. A special thread in the roller pin secures the set position.



Fig. 60

Slider type	Tightening torque [Nm]
R...G18	3
R...28G	9
R...43G	22

Tab. 28

With Allen Keys

- (1) Verify that the raceways are clean and take the wipers off to obtain a more sensitive feeling for correct preload setting.
- (2) Tighten the top-screw, but not too much, to allow a firm turning of the eccentric bottom-pivot, maintaining the roller tight to the slider body.
- (3) Turn the eccentric pivot so that the roller is roughly aligned with the concentric rollers or slightly in the opposite direction of the concentric rollers.
- (4) Lock the rail on a stable support, so hands are free. Insert the slider into the rail. Insert the Allen key into the pivot, through the rail fixing hole. Turn the Allen key slightly, so that the eccentric roller is coming in light contact with the raceways, opposite the fixed rollers. During the rotation, accompany the top-screw while rotating in the same direction with second Allen key, in order to avoid any loosening or change in preload setting.
- (5) Move the slider along the whole rail length to find the part or point, where the slider moves with less friction. If any oscillation/ play is noted, the eccentric roller must be re-adjusted. Perfect preload setting is achieved, when the slider moves very smoothly and with no play at this point.
- (6) Holding firm against the Allen key, engaged in eccentric pivot with one hand, while with another Allen key rotate and tighten the top-screw fastening the roller. Do not lock or unlock the eccentric roller by turning the pivot, always only act on the top screw to block or to ease the roller.
- (7) It's possible to verify the amount of preload by slowly inserting the slider at the end of the rail. The inserting force is proportional to the preload. In general, a good setting corresponds to the following min/max forces shown in table 28.
- (8) Then make final roller/screw tightening using a torque wrench, to assure right tightening torque according to the values in table 29, while maintaining the Allen key in pivot, to prevent any change of preload setting.



Fig. 61

Slider type	Inserting force	
	F_{\min} [N]	F_{\max} [N]
R...G18	0.5	2
R...28G	1	5
R...43G	2	10

Tab. 29

> Use of radial ball bearing rollers

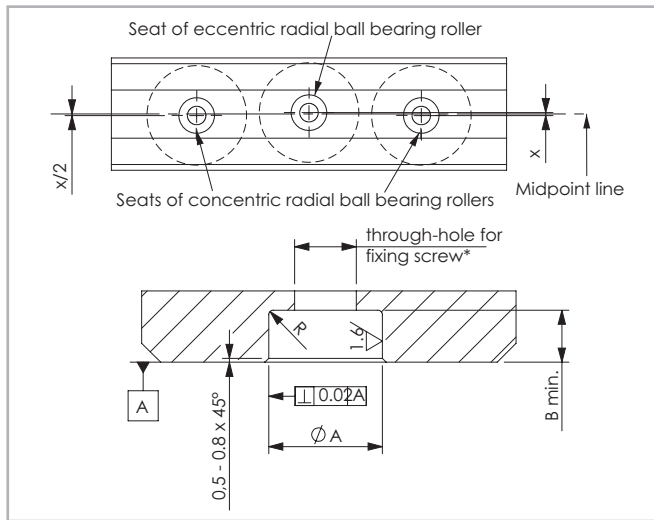


Fig. 62

If purchasing "Radial ball bearing rollers" to install on your own structure (see p. CR-18) we advise:

- Using a maximum of 2 concentric radial ball bearing rollers
- Offset the seats of the concentric radial ball bearing rollers with respect to those of the eccentric radial ball bearing rollers according to the table 30.

Slider size	X [mm]	Ø A [mm]	B min. [mm]	Radius R [mm]
18	0.30	-	-	-
28	0.44	8 + 0.05/+0.02	2	0.5
43	0.90	11 + 0.05/+0.02	3	0.5

Tab. 30

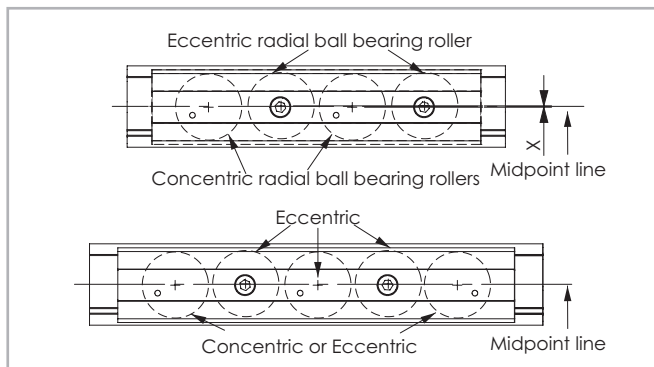


Fig. 63

> Installing the single rail

The rails can be installed in two positions relative to the external force. For axial loading of the slider (fig. 64 pos. 2), the load capacity is reduced because of the decline in contact area caused by the change in position. Therefore, the rails should be installed in such a way that the load on the rollers acts in the radial direction (fig. 64, pos. 1). The number of fixing holes in the rail in combination with screws of property class 10.9 is dimensioned in accordance with the load capacity values. For critical applications with vibrations or higher demand for rigidity, a support of the rail (fig. 64, pos. 3) is advantageous.

This reduces deformation of the sides and the load on the screws. The installation of a rail with counterbored holes requires an external reference for alignment. This reference can also be used simultaneously as rail support if required. All information in this section on alignment of the rails, refers to rails with counterbored holes. Rails with countersunk holes self-align using the specified fixing hole pattern (see pg. CR-34, fig. 57).

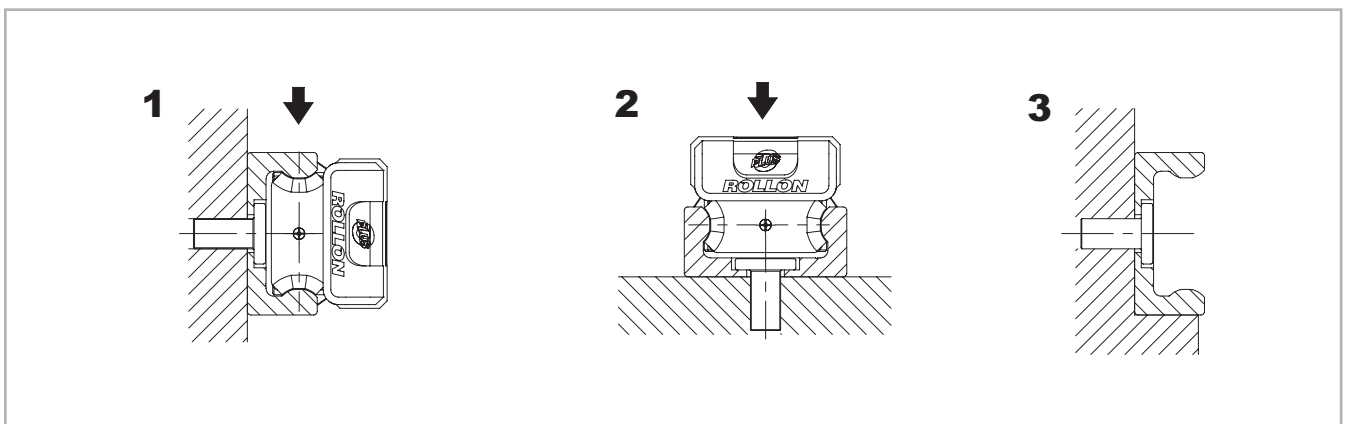


Fig. 64

Rail installation with reference surface as support

- (1) Remove unevenness, burrs and dirt from the support surface.
- (2) Press the rail against the support surface and insert all screws without tightening them.
- (3) Start tightening the fixing screws to the specified torque on one end of the rail while continuing to hold pressure on the rail against the support surface.

Screw type	Torx® tightening torque [Nm]	Countersunk tightening torque [Nm]
M4 (TMG...18)	3	3
M5 (TG...28)	9	6
M8 (TG...43)	22	25

Tab. 31

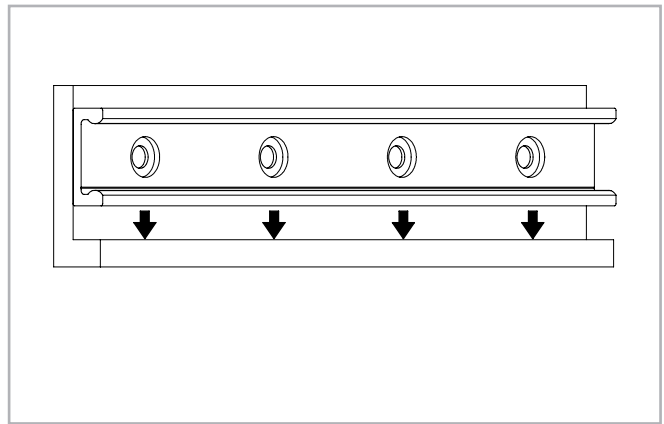


Fig. 65

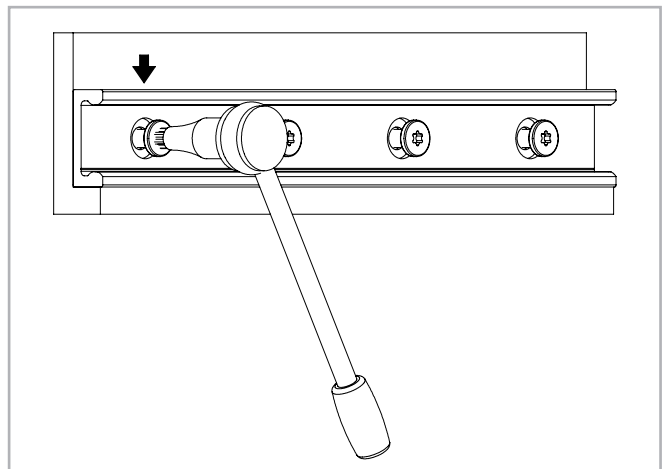


Fig. 66

Rail installation without support

(1) Carefully lay the guide rail with installed slider on the mounting surface and slightly tighten the fixing screws so that the guide rail lightly touches the mounting surface.

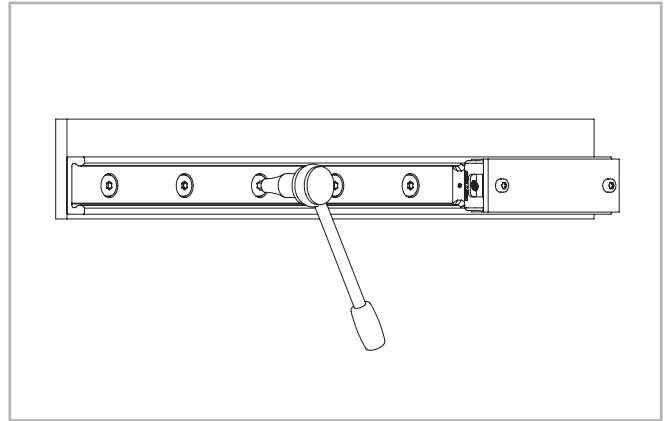


Fig. 67

(2) Install a dial indicator so that the offset of the rail to a reference line can be measured. Now position the slider in the center of the rail and set the dial indicator to zero. Move the slider back and forth between each two hole spacings and carefully align the rail. Fasten the three center screws of this area now with the specified tightening torque, see fig. 68.

(3) Now position the slider on one end of the rail and carefully align the rail to zero on the dial indicator.

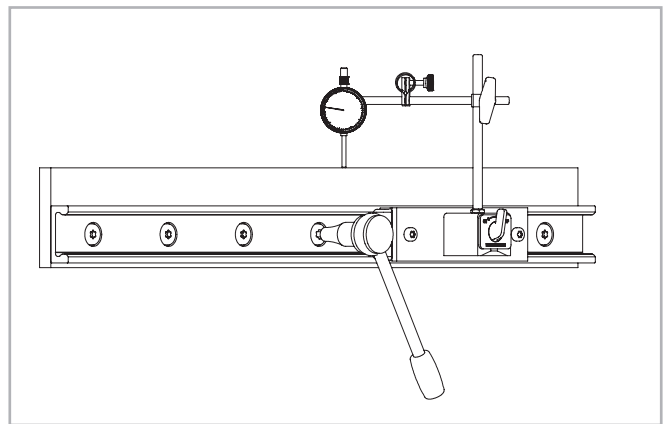


Fig. 68

(4) Begin to tighten the screws as specified while moving the slider together with the dial indicator. Make sure that it does not show any significant deflection. Repeat this procedure from the other end of the rail.

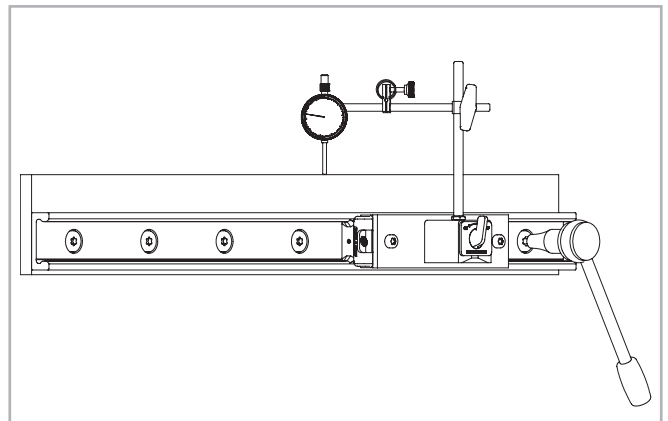


Fig. 69

> Parallel installation of two rails

When two rails with guiding sliders RV, a V+P system or a V+U system are installed the height difference of the two rails must not exceed a certain value (obtainable from the table below) in order to ensure proper guiding. These maximum values result from the maximum allowable twisting angle of the rollers in the raceways (see tab. 32). These values account for a load capacity reduction of 30% on the rail and must absolutely be maintained in every case.

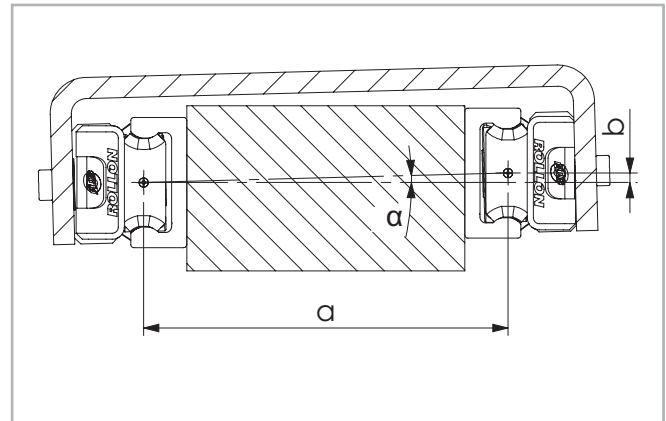


Fig. 70

Size	α
18	1 mrad (0.057°)
28	2.5 mrad (0.143°)
43	3 mrad (0.171°)

Tab. 32

When using two rails, the maximum parallelism deviation must not be exceeded (see tab. 33). Otherwise stresses can occur, which can result in a reduction in load capacity and service life.

Rail size	K1	K2
18	0.03	0.02
28	0.04	0.03
43	0.05	0.04

Tab. 33

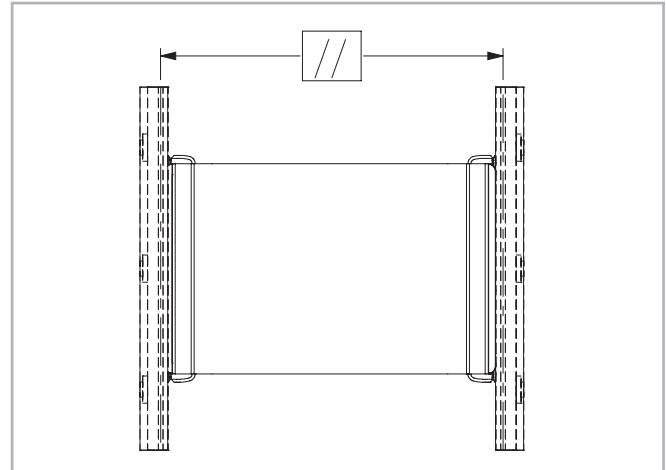


Fig. 71

Note: For parallelism problems, it is recommended to use a V+P/U or A+P/U system, since these combinations compensate for inaccuracies (see pg. CR-24, or CR-26).

Parallel installation of two rails

(1) Clean chips and dirt from the prepared mounting surfaces and fasten the first rail as described in the section on installation of a single rail.

(2) Fasten the second rail on the ends and the center. Tighten the screws in Position A and measure the distance between the raceways of the two rails.

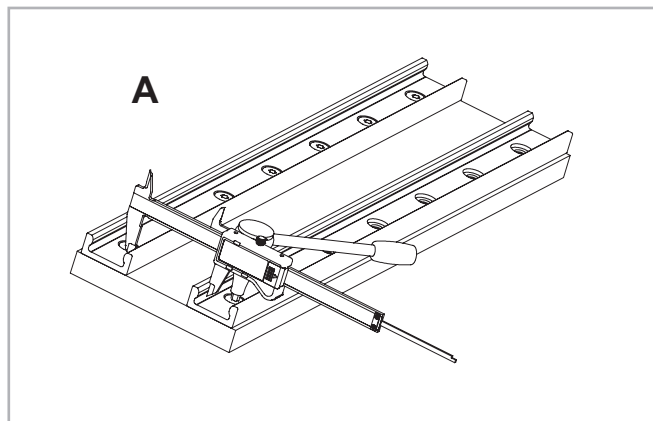


Fig. 72

(3) Fasten the rail in Position B so that the distance between the raceways does not exceed the measured values in Position A while maintaining the tolerances (see pg. CR-30, tab. 22) for parallel rail installation.

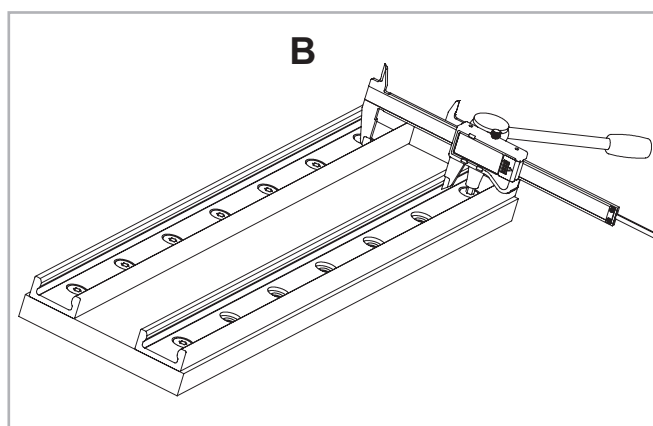


Fig. 73

(4) Fasten the screw in Position C so that the distance of the raceways is as close to an average between the two values from A and B as possible.

(5) Fasten all other screws and check the specified tightening torque of all fixing screws (see pg. CR-38, tab. 31).

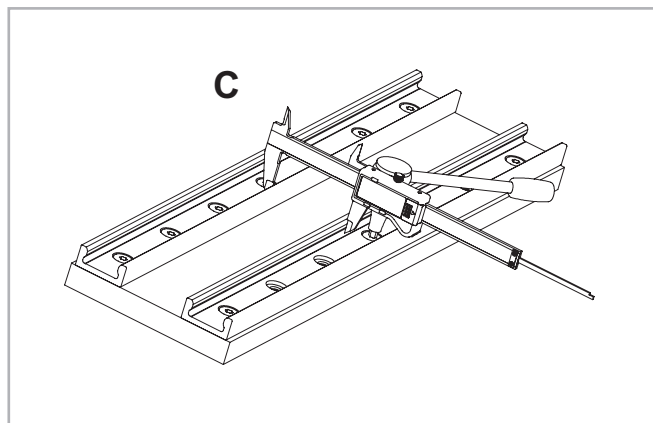


Fig. 74

> Installation of the self-aligning systems

When using a two-track parallel linear guide we recommend the use of a misalignment compensation system: the combination of a V+P/U sliders to compensate for deviations in parallelism or A+P/U sliders to compensate for deviations in parallelism in two planes.

Installation steps

(1) For a compensating system, the rail with the guiding slider RV is always installed first. This is then used as a reference for the compensating bearing rail.

Then proceed as described in the section on installation of a single rail (see pg. CR-37).

(2) Install the other bearing rail and only tighten the fixing screws slightly.

(3) Insert the sliders in the rails and install the element to be moved, without tightening its screws.

(4) Insert the element in the center of the rails and tighten it, use screws class 10.9.

(5) Tighten the center rail fixing screws to the specified torque (see pg.CR-38, tab. 31).

(6) Move the element to one end of the rail and start tightening the rest of the screws in the direction away from the slider.

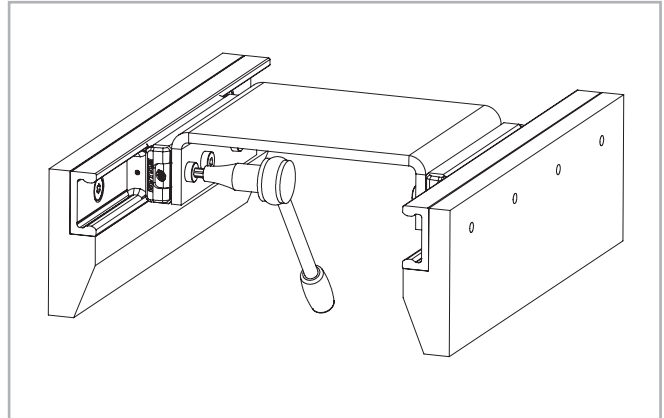


Fig. 75

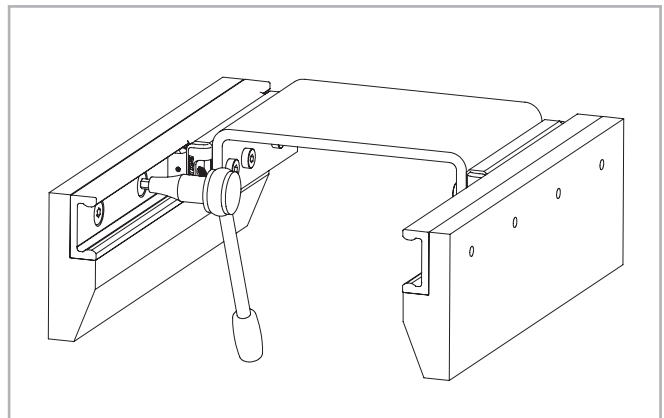


Fig. 76

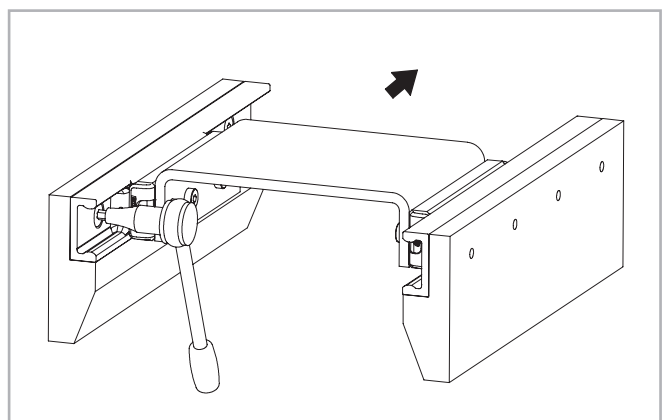


Fig. 77

> Joined Rails

If long guide rails are required, two or more rails can be joined to the desired length. When putting guide rails together, be sure that the register marks shown in fig. 78 are positioned correctly.

For applications with parallel joined guide rails we suggest them to be fabricated asymmetric.

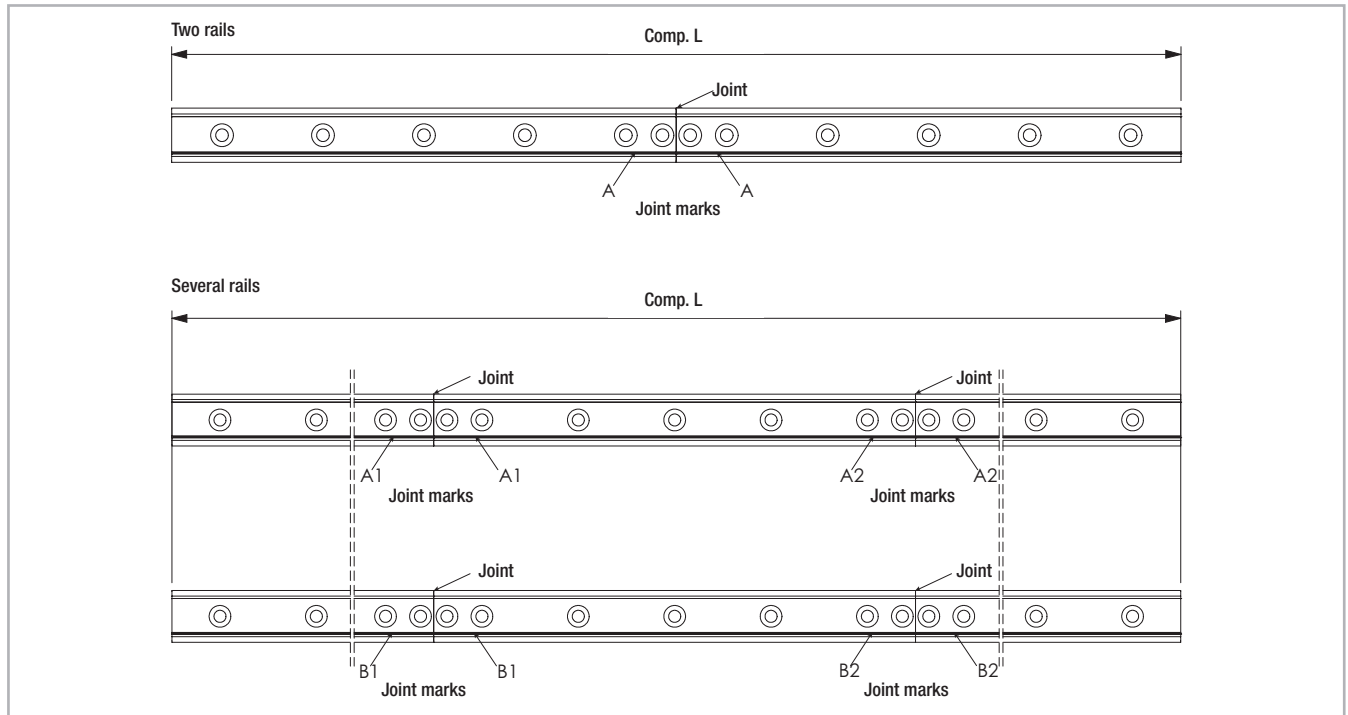


Fig. 78

General information

The maximum available rail length in one piece is indicated in table 5 on page CR-11. Longer lengths are achieved by joining two or more rails (joined rails).

Rollon then machines the rail ends at a right angle to the impact surfaces and marks them. Additional fixing screws are included with the delivery, which ensure a problem-free transition of the slider over the joints, if the following installation procedures are followed. Two additional threaded holes (see fig. 79) are required in the load-bearing structure. The included end fixing screws correspond to the installation screws for the rails for cylindrical counterbores (see pg. CR-34).

The alignment fixture for aligning the rail joint can be ordered using the designation given in the table (see pg. CR-19, tab. 11).

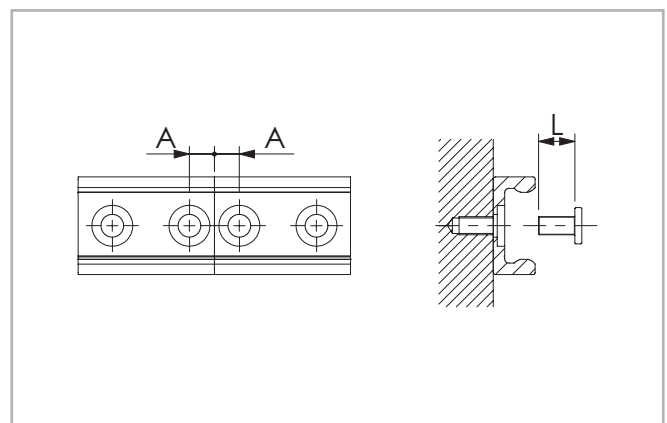


Fig. 79

Rail type	A [mm]	Threaded hole (load-bearing structure)	Screw type	L [mm]	Alignment fixture
TMGC18 - TMGV18	7	M4	see pg. CR-19	8	ATMG18
TGC28 - TGV28	8	M5		10	ATG28
TGC43 - TGV43	11	M8		16	ATG43

Tab. 34

> Installation of joined rails

After the fixing holes for the rails are made in the load-bearing structure, the joined rails can be installed according to the following procedure:

- (1) Fix the individual rails on the mounting surface by tightening all screws except for each last one on the rail joint.
- (2) Install the end fixing screws without tightening them (see fig. 80).

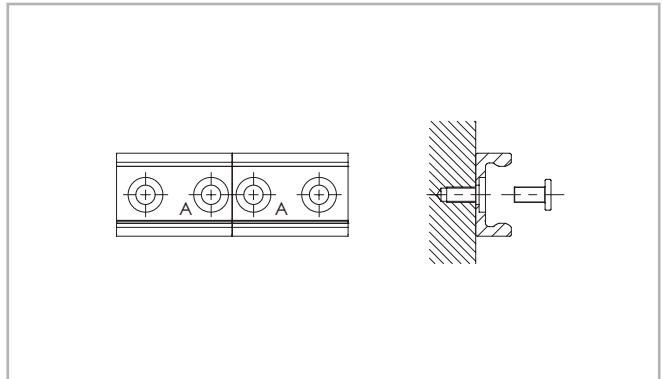


Fig. 80

- (3) Place the alignment fixture on the rail joint and tighten both set screws uniformly, until the raceways are aligned (see fig. 81).
- (4) After the previous step (3) it must be checked if both rail backs lie evenly on the mounting surface. If a gap has formed there, this must be shimmed.

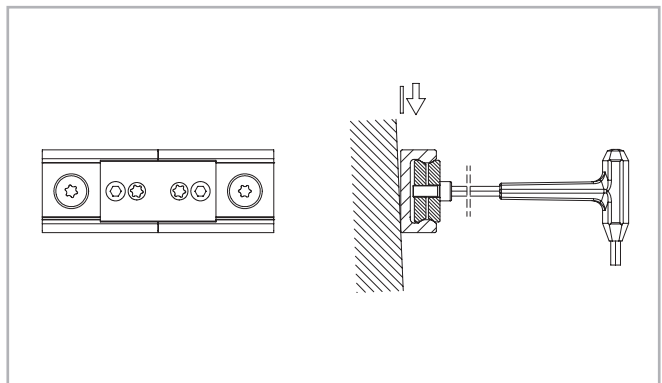


Fig. 81

- (5) The bottom of the rails should be supported in the area of the transition. Here a possible existing gap must be looked for, which must be closed for correct support of the rail ends by shims.

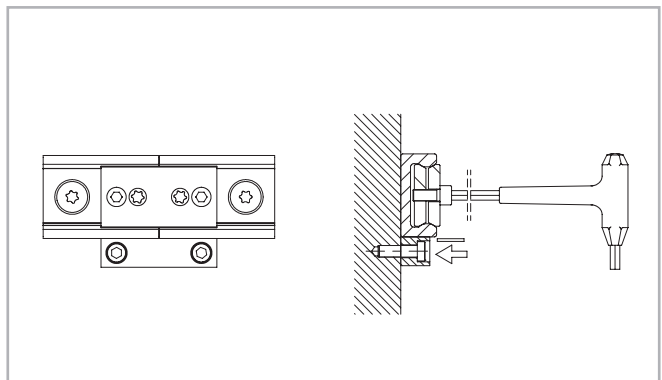


Fig. 82

- (6) Insert the key through the holes in the alignment fixture and tighten the screws on the rail ends.
- (7) For rails with 90° countersunk holes, tighten the remaining screws starting from the rail joint in the direction of the rail center. For rails with cylindrical counter-sunk holes, first adjust the rail to an external reference, then proceed as described above.
- (8) Remove the alignment fixture from the rail.

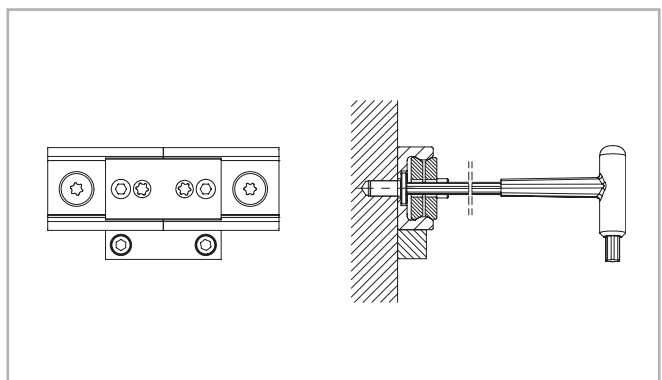


Fig. 83

Ordering key



Note on ordering: rails length codes are always 5 digits, sliders length codes are always 3 digits. Use zeroes as a prefix when lengths are shorter.

> Rail / slider system

TGV	-03600	/2/	RV	43G	-4	A	-N	
								Surface protection (if different from Standard) see pg. CR-33, tab. 24
								Configuration depending on type of slider see pg. CR-12 and CR-14
								Number of rollers see pg. CR-8, tab. 1
								Size see from pg. CR-11
								Slider type see pg. CR-12
								Number of sliders in one rail
								Rail length in mm see pg. CR-11, tab. 5
								Rail type see pg. CR-11, tab. 4

Ordering example: TGV-03600/2/RV43G-4A-N

> Rail

TGV	-43	-03600	-N	
				Surface protection (if different from Standard ISO 2081) see pg. CR-33, tab. 24
				Rail length in mm see pg. CR-11, tab. 5
				Size see pg. CR-11
				Rail type see pg. CR-11, tab. 5

Ordering examples: TGV-43-03600-N (single rail); TGV-43-05680-N (joined rails)

Rail composition: 1x880+2x2400 (only for joint processed rails)

Hole pattern: 40-10x80-40//40-29x80-40//40-29x80-40 (please always specify the hole pattern separately)

> Slider

RV	43G	-4	A	-N	
					Surface protection (if different from Standard) see pg. CR-33, tab. 24
					Configuration depending on type of slider see pgs. CR-12 and CR-14
					Number of rollers see pg. CR-8
					Size see pg. CR-11
					Slider type see pg. CR-12

Ordering example: RV43G-4A-N

> Wipers

ZK-WR	43G	
	Size	
		Wiper type see pg. CR-19

Ordering example: ZK-WR43G

Note on ordering: every kit contains a pair of wipers. Two wipers per slider are always required.

ROLLON[®]
BY TIMKEN

Compact Rail



Product explanation



> Self-aligning linear guides with bearings and C-profile featuring newly designed robust steel slider



Fig. 84

Compact Rail is the product family of guide rails consisting of roller sliders with radial bearings which slide on the internal, induction hardened and ground raceways of a C-profile made from cold-drawn roller bearing carbon steel.

Compact Rail consists of three product series: the fixed bearing rail, the compensating bearing rail and the floating bearing rail. They can be combined to create self-aligning systems to compensate misalignment errors on two planes: axially up to 3.9 mm and radially up to 2°. All products are available in zinc plating, with other treatments for higher corrosion resistance as an option. There are five different sizes of guide rails and many different versions and lengths of the slide bearings, depending on the size and load requirement.

The most important characteristics:

- Compact size
- Corrosion resistant surface
- Not sensitive to dirt due to internal raceways and large rollers
- Hardened and ground raceways
- Self-aligning in two planes
- Quieter than recirculating ball systems
- High operating speeds
- Wide temperature range
- Easy adjustment of slider in the guide rail
- Different anticorrosion treatments available for rails and slider bodies

Preferred areas of application:

- Cutting machines
- Medical equipment
- Packaging machines
- Photographic lighting equipment
- Construction and machine technology (doors, protective covers)
- Robots and manipulators
- Automation
- Handling
- Special vehicles

Fixed bearing rails (T-rails)

Fixed bearing rails are used as the main load bearing of radial and axial forces.



Fig. 85

Floating bearing rails (U-rails)

The floating bearing rails are used for load bearing of radial forces and, in combination with the fixed bearing T-rail or compensation K-rail, as a support bearing for occurring moment loads.



Fig. 86

Compensation bearing rails (K-rails)

The compensation bearing rails are used for the load bearing of radial and axial forces. Tolerance compensation in two planes can be implemented in combination with the U-rail.



Fig. 87

Self-aligning system: T+U

The combination of fixed bearing rail and floating bearing rail allows for deviations in parallelism.



Fig. 88

Self-aligning system: K+U

The combination of compensation rail and floating bearing rail allows for deviations in parallelism and height offset.



Fig. 89

NSW/NSA-slider

Robust zinc plated steel slider with roller bearings, self-centering heads with wipers, longitudinal seals to protect the internal components and a top sealing strip to prevent accidental tampering of the fixed rollers. The slider body is accurately finished with matte longitudinal edge chamfer and a shining ground flat surface. It is available for all sizes, configurable with up to six rollers depending on the load requirement.



Fig. 90

CS-slider

Constructed with zinc-plated steel body and sturdy wipers (optional) made of polyamide. Available for all sizes. Depending on the load requirement, slider is configurable with up to six rollers.



Fig. 91

NSD/NSDA-slider

Constructed as the NSW/NSA-slider with mounting holes parallel to the direction of preferred loading. It is available for sizes 28 and 43, with three or five rollers, depending on load case and load direction set with the corresponding configuration.



Fig. 92

Rollers

Also available individually in all sizes. Available as eccentric or concentric rollers. Optionally available with splash-proof plastic seal (2RS) or with steel cover disc (2Z).



Fig. 93

Wipers

The slider heads are equipped with special slow release felt pads and are free to rotate with respect to the slider body, so that the felts are always in contact with the raceways to ensure a perfect lubrication. The felts can be grased through a dedicated oil refilling access on the front of the head, simply by means of a syringe oiler.



Fig. 94

Alignment fixture

The alignment fixture AT / AK is used during installation of joined rails in order to precisely align the rails with each other.



Fig. 95

Technical data

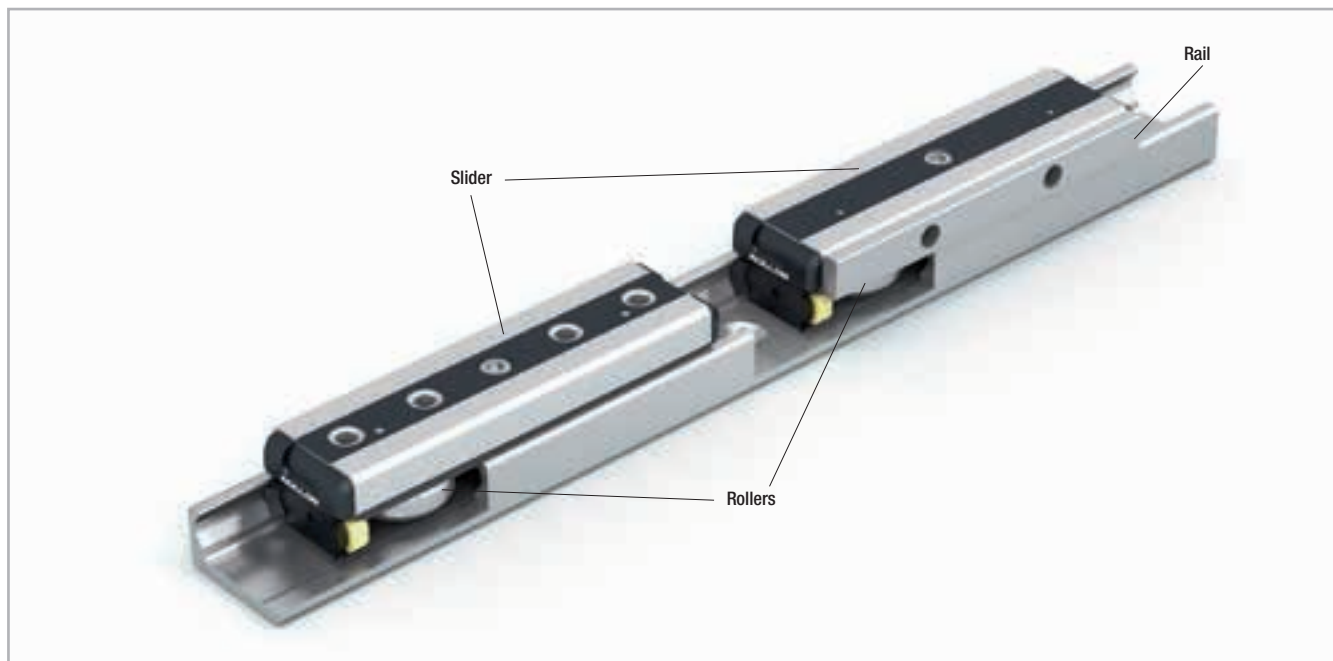


Fig. 96

Performance characteristics:

- Available sizes for T-rail, U-rail: 18, 28, 35, 43, 63
- Available sizes for K-rail: 43, 63
- Max. operating speed: 9 m/s (354 in/s)
(depending on application)
- Max. acceleration: 20 m/s² (787 in/s²)
(depending on application)
- Max. radial load capacity: 15,000 N (per slider)
- Temperature range: -20 °C to +120 °C (-4 °F to +248 °F)
briefly up to max. +150 °C (+302 °F)
- Available rail lengths from 160 mm to 3,600 mm (6.3 in to 142 in)
in 80-mm increments (3.15 in), longer single rails up to max. 4,080
mm (160.6 in) on request
- Roller pins lubricated for life
- Roller seal/shield: standard 2Z (steel cover disk), 2RS (splash-proof)
- Rollers material: steel 100Cr6 (also available stainless steel AISI 440)
- Rail raceways are induction hardened and ground
- Rails and slider bodies are standard zinc-plated according to
ISO 2081
- Rail material of T- and U-rails in sizes 18: cold-drawn roller bearing
carbon steel C43 F
- Rail material of K-rails, as well as T- and U-rails in size 28 to 63:
Cf53

Notes:

- The sliders are equipped with rollers that are in alternating contact
with both sides of the raceway. Markings on the body around the roller
pins indicate correct arrangement of the rollers to the external load
- With a simple adjustment of the eccentric rollers, the desired clear-
ance or preload on the rail and slider can be set.
- Rails in joined design are available for longer transverse distances
(see pg. CR-96)
- The K rails are not suitable for vertical installation
- Screws of property class 10.9 must be used
- Differences in screw sizes must be observed
- When mounting the rails, it is crucial to ensure that the mounting
holes in the structure are properly chamfered. (see pg. CR-89, tab. 73)
- The general illustrations show NSW-sliders as an example
- Rollers are available also in stainless steel version (see pg. CR-72).

> Configurations and behavior of the slider under yawing moment M_z

Individual slider under M_z moment load

When an overhanging load in an application with a single slider per rail causes an M_z moment in one direction, a 4 to 6 roller Compact Rail slider is available. These sliders are available in both configuration A and B in regards to the roller arrangement to counter the acting M_z moment load. The moment capacity of these sliders in the M_z -direction varies significantly through spacing L_1 and L_2 in accordance with the direction of rotation of M_z . Especially in the use of two parallel rails, for example with a T+U-system,

it is extremely important to pay attention to the correct combination of the slider configuration A and B, in order to use the maximum load capacities of the slider.

The diagrams below illustrate this concept of the A and B configuration for sliders with 4 and 6 rollers. The maximum allowable M_z -moment is identical in both directions for all 3 and 5 roller sliders.

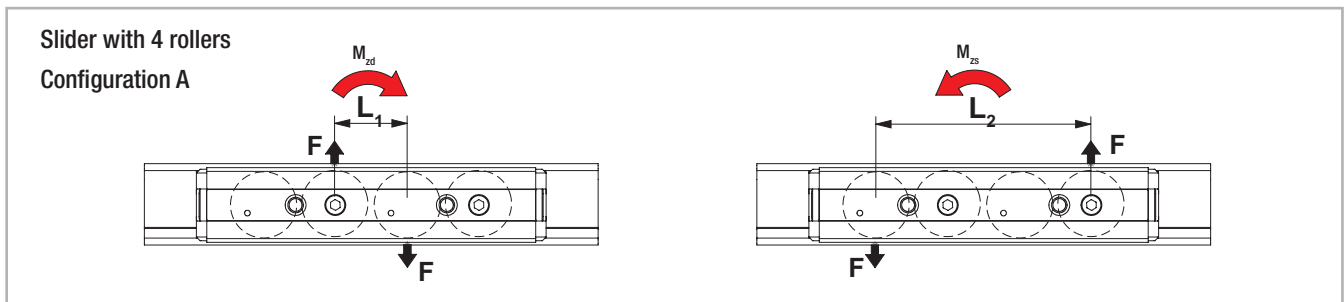


Fig. 97

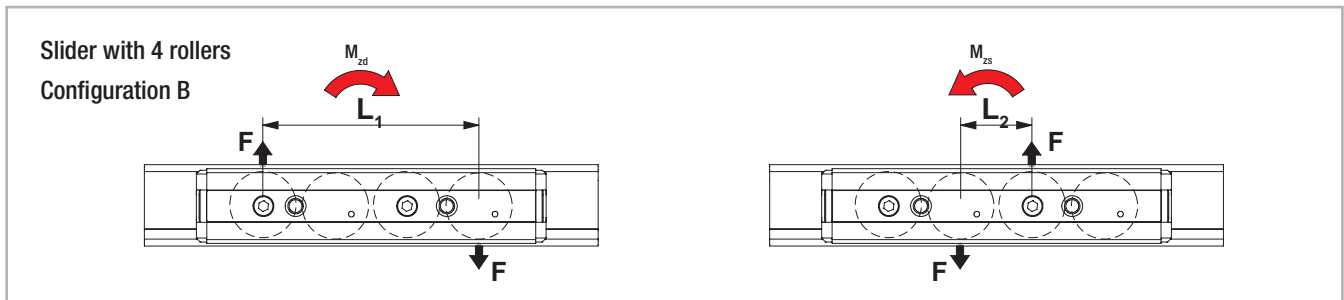


Fig. 98

Two sliders under M_z moment load

When an overhanging load acts on an application with two sliders per rail and causes an M_z -moment in one direction, different support reactions occur on the two sliders. For this reason, an optimal arrangement of slider configurations must be achieved to reach the maximum load capacities. In practice, when using NSW-sliders with 3 or 5 rollers, the two sliders must be installed rotated by 180° so that the slider is always loaded on the side with the highest number of rollers (with

NSA sliders this is not possible due to different rail geometries). For an even number of rollers this has no effect. The NSD-sliders with installation option from above or below cannot be installed due to the position of the rollers in reference to the installation side, therefore they are available in the configurations A and B (see fig. 100).

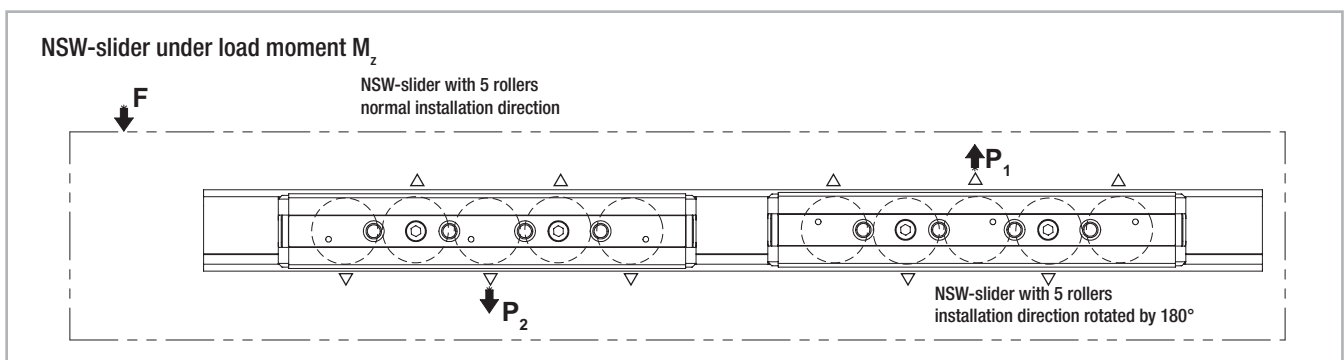


Fig. 99

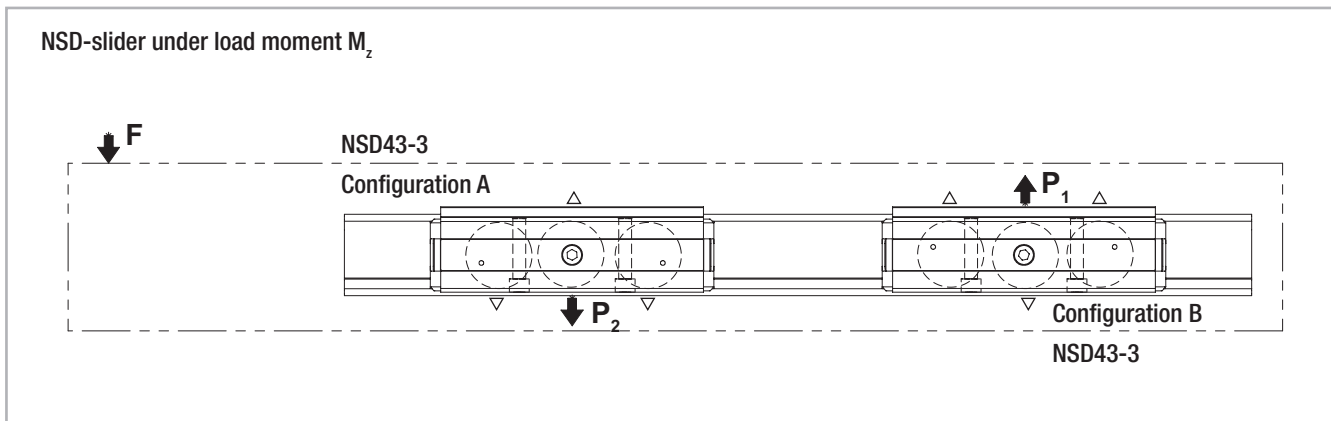


Fig. 100

Slider configurations for various load cases

Arrangement DS

This is the recommended arrangement for use of two sliders under M_z -moment when using one rail. Also see previous page: Two sliders under M_z moment load.

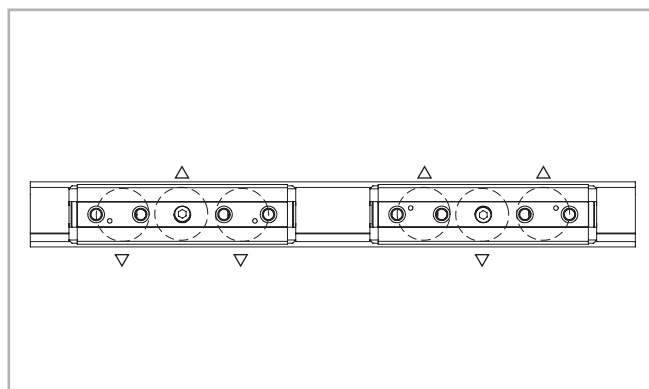


Fig. 101

Arrangement DD

When using a pair of guide rails with two sliders each under M_z moment load, the second system should be designed in arrangement DD. This results in the following combination: one guide rail with two sliders in arrangement DS and the other guide rail with 2 sliders in arrangement DD. This allows even load and moment distribution between the two parallel rails.

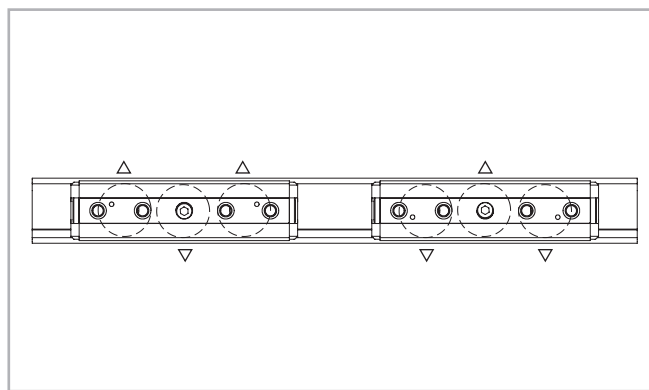


Fig. 102

Arrangement DA

Standard arrangement if no other information is given. This arrangement is recommended if the load point is located within the two outside points of the sliders.

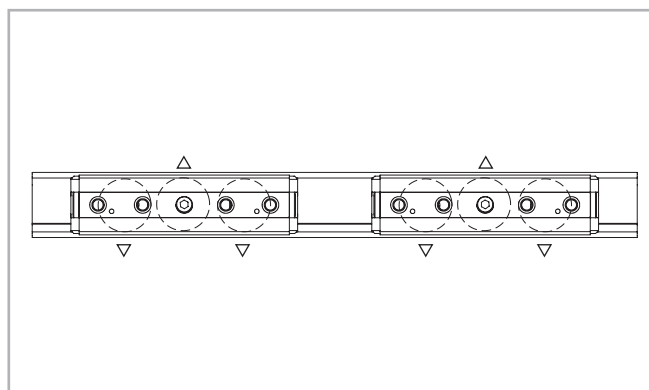


Fig. 103

> Load capacities

Slider

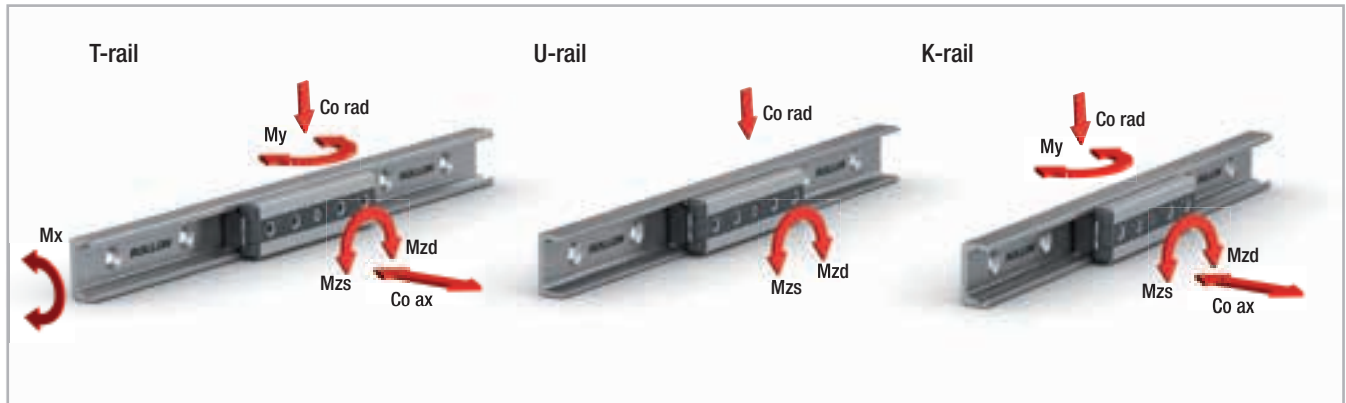


Fig. 104

The load capacities in the following tables each apply for one slider. When using the slider in U-rails (floating bearing rails) the values are

$C_{0ax} = 0$, $M_x = 0$ and $M_y = 0$. When using the sliders in K-rails (compensation rails) the value is: $M_x = 0$.

Load capacities NSW / NSA / NSD / NSDA

Type	No. of rollers	Load capacities and moments							Weight [kg]
		C [N]	C_{0rad} [N]	C_{0ax} [N]	M_x [Nm]	M_y [Nm]	M_z [Nm]		
							M_{zd}	M_{zs}	
NSW18-3 -...	3	1530	820	260	1.5	4.7	8.2	8.2	0.096
NSW18-4A -...	4	1530	820	300	2.8	7	8.2	24.7	0.096
NSW18-4B -...	4	1530	820	300	2.8	7	24.7	8.2	0.11
NSW18-5 -...	5	1830	975	360	2.8	9.4	24.7	24.7	0.11
NSW18-6A -...	6	1830	975	440	3.3	11.8	24.7	41.1	0.138
NSW18-6B -...	6	1830	975	440	3.3	11.8	41.1	24.7	0.138
NSW28-3 -...	3	4260	2170	640	6.2	16	27.2	27.2	0.23
NSW28-4A -...	4	4260	2170	750	11.5	21.7	27.2	81.7	0.29
NSW28-4B -...	4	4260	2170	750	11.5	21.7	81.7	27.2	0.29
NSW28-5 -...	5	5065	2580	900	11.5	29	81.7	81.7	0.35
NSW28-6A -...	6	5065	2580	1070	13.7	36.2	81.7	136.1	0.42
NSW28-6B -...	6	5065	2580	1070	13.7	36.2	136.1	81.7	0.42
NSW28L-3-...	3	4260	2170	640	6.2	29	54.4	54.4	0.141
NSW28L-4A-...	4	4260	2170	750	11.5	29	54.4	108.5	0.164
NSW28L-4B-...	4	4260	2170	750	11.5	29	108.5	54.4	0.164
NSW28L-4C-...	4	4260	2170	750	11.5	29	81.7	81.7	0.164
NSW28L-5A-...	5	5065	2580	900	11.5	29	81.7	81.7	0.185
NSW28L-5B-...	5	6816	3472	640	6.2	29	54.4	54.4	0.185
NSD28-3A -...	3	4260	2170	640	6.2	16	27.2	27.2	0.23
NSD28-3B -...	3	4260	2170	640	6.2	16	27.2	27.2	0.23
NSD28-5A -...	5	5065	2580	900	11.5	29	81.7	81.7	0.35
NSD28-5B -...	5	5065	2580	900	11.5	29	81.7	81.7	0.35

Tab. 35

Type	No. of rollers	Load capacities and moments							Weight [kg]
		C [N]	C _{Orad} [N]	C _{Oax} [N]	M _x [Nm]	M _y [Nm]	M _z [Nm]		
							M _{zd}	M _{zs}	
NSW35-3 -...	3	8040	3510	1060	12.9	33.7	61.5	61.5	0.44
NSW35-4A -...	4	8040	3510	1220	23.9	43.3	52.7	158.1	0.53
NSW35-4B -...	4	8040	3510	1220	23.9	43.3	158.1	52.7	0.53
NSW35-5 -...	5	9565	4180	1460	23.9	57.7	158.1	158.1	0.64
NSW35-6A -...	6	9565	4180	1780	28.5	72.2	158.1	263.4	0.76
NSW35-6B -...	6	9565	4180	1780	28.5	72.2	263.4	158.1	0.76
NSD35-3A -...	3	8040	3510	1060	12.9	33.7	61.5	61.5	0.44
NSD35-3B -...	3	8040	3510	1060	12.9	33.7	61.5	61.5	0.44
NSD35-5A -...	5	9565	4180	1460	23.9	57.7	158.1	158.1	0.64
NSD35-5B -...	5	9565	4180	1460	23.9	57.7	158.1	158.1	0.64
NSW43-3 -...	3	12280	5500	1570	23.6	60	104.5	104.5	0.8
NSW43-4A -...	4	12280	5500	1855	43.6	81.5	104.5	313.5	1.02
NSW43-4B -...	4	12280	5500	1855	43.6	81.5	313.5	104.5	1.02
NSW43-5 -...	5	14675	6540	2215	43.6	108.6	313.5	313.5	1.24
NSW43-6A -...	6	14675	6540	2645	52	135.8	313.5	522.5	1.47
NSW43-6B -...	6	14675	6540	2645	52	135.8	522.5	313.5	1.47
NSW43L-3-...	3	12280	5500	1570	23.6	108.6	209	209	0.45
NSW43L-4A-...	4	12280	5500	1855	43.6	108.6	209	418	0.52
NSW43L-4B-...	4	12280	5500	1855	43.6	108.6	418	209	0.52
NSW43L-4C-...	4	12280	5500	1855	43.6	108.6	313.5	313.5	0.52
NSW43L-5A-...	5	14675	6540	2215	43.6	108.6	313.5	313.5	0.59
NSW43L-5B-...	5	19650	8800	1570	23.6	108.6	209	209	0.59
NSA43-3 -...	3	12280	5100	1320	0	50.4	96.9	96.9	0.8
NSA43-4A -...	4	12280	5100	1320	0	54.3	96.9	290.7	1.02
NSA43-4B -...	4	12280	5100	1320	0	54.3	290.7	96.9	1.02
NSA43-5 -...	5	14675	6065	1570	0	108.7	290.7	290.7	1.24
NSA43-6A -...	6	14675	6065	1570	0	108.7	290.7	484.5	1.47
NSA43-6B -...	6	14675	6065	1570	0	108.7	484.5	290.7	1.47
NSA43L-3-...	3	12280	5100	1320	0	97.7	188.7	188.7	0.45
NSA43L-4A-...	4	12280	5100	1320	0	97.7	188.7	377.3	0.52
NSA43L-4B-...	4	12280	5100	1320	0	97.7	377.3	188.7	0.52
NSA43L-4C-...	4	12280	5100	1320	0	97.7	283	283	0.52
NSA43L-5A-...	5	14675	6065	1570	0	97.7	283	283	0.59
NSA43L-5B-...	5	19650	8160	1820	0	97.7	188.7	188.7	0.59
NSD43-3A -...	3	12280	5500	1570	23.6	60	104.5	104.5	0.8
NSD43-3B -...	3	12280	5500	1570	23.6	60	104.5	104.5	0.8
NSD43-5A -...	5	14675	9540	2215	43.6	108.6	313.5	313.5	1.24
NSD43-5B -...	5	14675	9540	2215	43.6	108.6	313.5	313.5	1.24
NSDA43-3A -...	3	12280	5100	1320	0	50.4	96.9	96.9	0.8
NSDA43-3B -...	3	12280	5100	1320	0	50.4	96.9	96.9	0.8
NSDA43-5A -...	5	14675	6065	1570	0	108.7	290.7	290.7	1.24
NSDA43-5B -...	5	14675	6065	1570	0	108.7	290.7	290.7	1.24

Tab. 36

Type	Number of rollers	Load capacities and moments							Weight [kg]
		C [N]	C _{Orad} [N]	C _{Oax} [N]	M _x [Nm]	M _y [Nm]	M _z [Nm]		
							M _{zd}	M _{zs}	
NSW63-3-2ZR	3	30750	12500	6000	125	271	367	367	2.44
NSW63-4A-2ZR	4	30750	12500	7200	250	413	367	1100	3.17
NSW63-4B-2ZR	4	30750	12500	7200	250	413	1100	367	3.17
NSW63-5-2ZR	5	36600	15000	8500	250	511	1100	1100	3.89
NSW63-6A-2ZR	6	36600	15000	10000	350	689	1100	1830	4.60
NSW63-6B-2ZR	6	36600	15000	10000	350	689	1830	1100	4.60
NSA63-3-2ZR	3	30750	11550	5045	0	235	335	335	2.44
NSA63-4A-2ZR	4	30750	11550	5045	0	294	335	935	3.17
NSA63-4B-2ZR	4	30750	11550	5045	0	294	935	335	3.17
NSA63-5-2ZR	5	36600	13745	6000	0	589	935	935	3.89
NSA63-6A-2ZR	6	36600	13745	6000	0	589	935	1560	4.60
NSA63-6B-2ZR	6	36600	13745	6000	0	589	1560	935	4.60

Tab. 37

Load capacities CS / CSK

Type	Number of rollers	Load capacities and moments							Weight [kg]
		C [N]	C _{Orad} [N]	C _{Oax} [N]	M _x [Nm]	M _y [Nm]	M _z [Nm]		
							M _{zd}	M _{zs}	
CS18-060-...	3	1530	820	260	1.5	4.7	8.2	8.2	0.04
CS18-080-...-A	4	1530	820	300	2.8	7	8.2	24.7	0.05
CS18-080-...-B	4	1530	820	300	2.8	7	24.7	8.2	0.05
CS18-100-...	5	1830	975	360	2.8	9.4	24.7	24.7	0.06
CS18-120-...-A	6	1830	975	440	3.3	11.8	24.7	41.1	0.07
CS18-120-...-B	6	1830	975	440	3.3	11.8	41.1	24.7	0.07
CS28-080-...	3	4260	2170	640	6.2	16	27.2	27.2	0.155
CS28-100-...-A	4	4260	2170	750	11.5	21.7	27.2	81.7	0.195
CS28-100-...-B	4	4260	2170	750	11.5	21.7	81.7	27.2	0.195
CS28-125-...	5	5065	2580	900	11.5	29	81.7	81.7	0.24
CS28-150-...-A	6	5065	2580	1070	13.7	36.2	81.7	136.1	0.29
CS28-150-...-B	6	5065	2580	1070	13.7	36.2	136.1	81.7	0.29
CS35-100-...	3	8040	3510	1060	12.9	33.7	61.5	61.5	0.27
CS35-120-...-A	4	8040	3510	1220	23.9	43.3	52.7	158.1	0.33
CS35-120-...-B	4	8040	3510	1220	23.9	43.3	158.1	52.7	0.33
CS35-150-...	5	9565	4180	1460	23.9	57.7	158.1	158.1	0.41
CS35-180-...-A	6	9565	4180	1780	28.5	72.2	158.1	263.4	0.49
CS35-180-...-B	6	9565	4180	1780	28.5	72.2	263.4	158.1	0.49
CS43-120-...	3	12280	5500	1570	23.6	60	104.5	104.5	0.53
CS43-150-...-A	4	12280	5500	1855	43.6	81.5	104.5	313.5	0.68
CS43-150-...-B	4	12280	5500	1855	43.6	81.5	313.5	104.5	0.68
CS43-190-...	5	14675	6540	2215	43.6	108.6	313.5	313.5	0.84
CS43-230-...-A	6	14675	6540	2645	52	135.8	313.5	522.5	1.01
CS43-230-...-B	6	14675	6540	2645	52	135.8	522.5	313.5	1.01
CSK43-120-...	3	12280	5100	1320	0	50.4	96.9	96.9	0.53
CSK43-150-A	4	12280	5100	1320	0	54.3	96.9	290.7	0.68
CSK43-150-B	4	12280	5100	1320	0	54.3	290.7	96.9	0.68
CSK43-190-...	5	14675	6065	1570	0	108.7	290.7	290.7	0.84
CSK43-230-A	6	14675	6065	1570	0	108.7	290.7	484.5	1.01
CSK43-230-B	6	14675	6065	1570	0	108.7	484.5	290.7	1.01
CS63-180-2ZR	3	30750	12500	6000	125	271	367	367	1.66
CS63-235-2ZR-A	4	30750	12500	7200	250	413	367	1100	2.17
CS63-235-2ZR-B	4	30750	12500	7200	250	413	1100	367	2.17
CS63-290-2ZR	5	36600	15000	8500	250	511	1100	1100	2.67
CS63-345-2ZR-A	6	36600	15000	10000	350	689	1100	1830	3.17
CS63-345-2ZR-B	6	36600	15000	10000	350	689	1830	1100	3.17
CSK63-180-2ZR	3	30750	11550	5045	0	235	335	335	1.66
CSK63-235-2ZR-A	4	30750	11550	5045	0	294	335	935	2.17
CSK63-235-2ZR-B	4	30750	11550	5045	0	294	935	335	2.17
CSK63-290-2ZR	5	36600	13745	6000	0	589	935	935	2.67
CSK63-345-2ZR-A	6	36600	13745	6000	0	589	935	1560	3.17
CSK63-345-2ZR-B	6	36600	13745	6000	0	589	1560	935	3.17

Tab. 38

Product dimensions



> Rail T, U, K

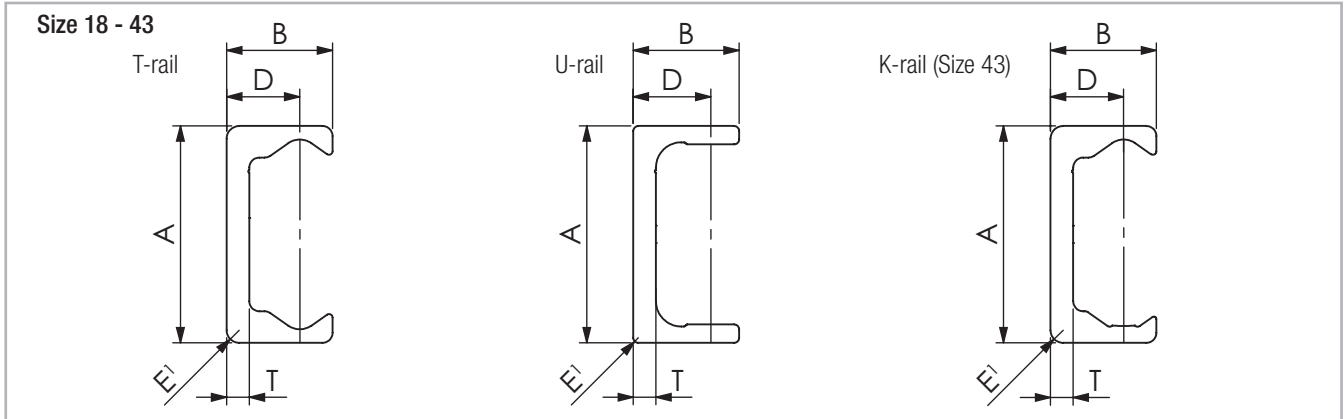


Fig. 105

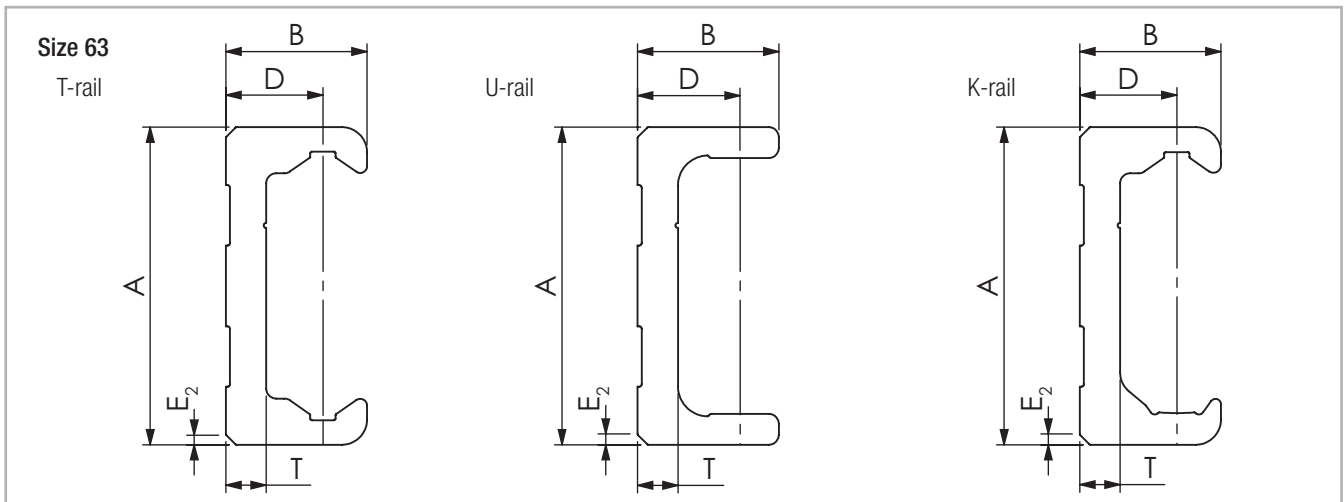


Fig. 106

Holes

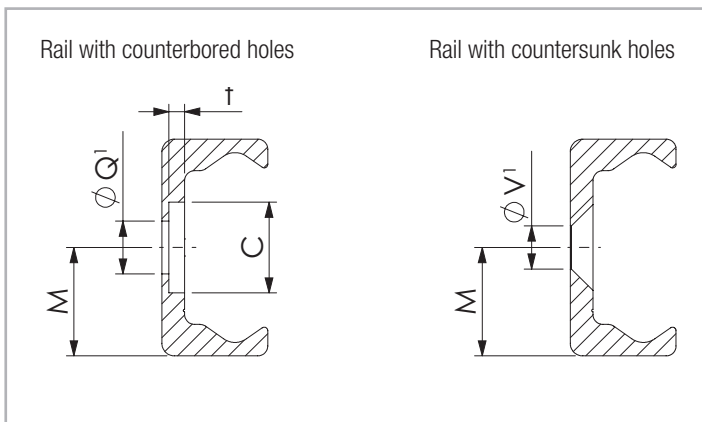


Fig. 107

Q' Fixing holes for Torx® screws with low head (custom design) included in scope of supply

V' Fixing holes for countersunk head screws according to DIN 7991

Type	Size	A [mm]	B [mm]	D [mm]	M [mm]	E ₁ [mm]	T [mm]	C [mm]	Weight [kg/m]	E ₂ [°]	t [mm]	Q' [mm]	V' [mm]
TLC TLV	18	18	8.25	5.75	9	1.5	2.8	9.5	0.55	-	2	M4	M4
	28	28	12.25	8.5	14	1	3	11	1.0	-	2	M5	M5
	35	35	16	12	17.5	2	3.5	14.5	1.65	-	2.7	M6	M6
	43	43	21	14.5	21.5	2.5	4.5	18	2.6	-	3.1	M8	M8
	63	63	28	19.25	31.5	-	8	15	6.0	2x45	5.2	M8	M10
ULC ULV	18	18	8.25	5.75	9	1	2.6	9.5	0.55	-	1.9	M4	M4
	28	28	12	8.5	14	1	3	11	1.0	-	2	M5	M5
	35	35	16	12	17.5	1	3.5	14.5	1.65	-	2.7	M6	M6
	43	43	21	14.5	21.5	1	4.5	18	2.6	-	3.1	M8	M8
	63	63	28	19.25	31.5	-	8	15	6.0	2x45	5.2	M8	M10
KLC KLV	43	43	21	14.5	21.5	2.5	4.5	18	2.6	-	3.1	M8	M8
	63	63	28	19.25	31.5	-	8	15	6.0	2x45	5.2	M8	M10

Tab. 39

> Rail length

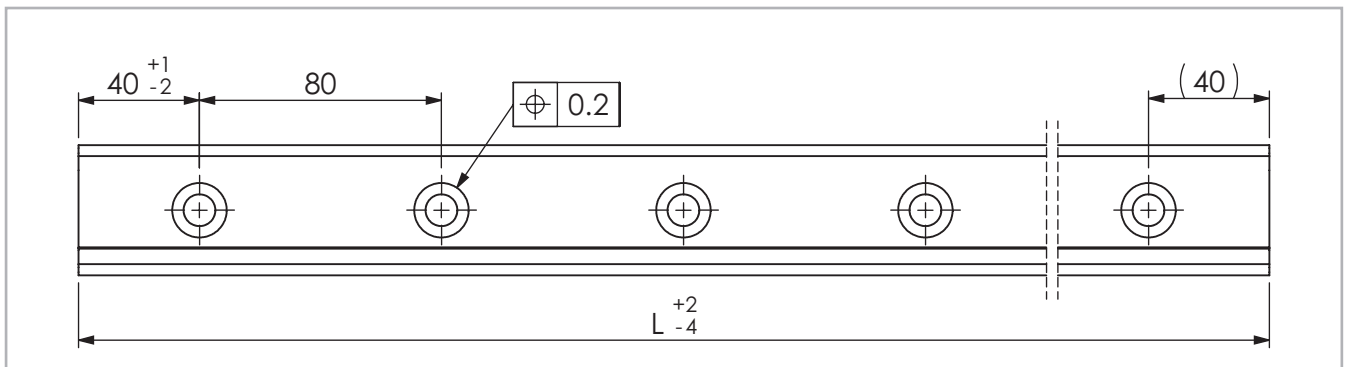


Fig. 108

Type	Size	Min length [mm]	Max length [mm]	Available standard lengths L [mm]
TLC TLV ULC ULV	18	160	2000	160 - 240 - 320 - 400 - 480 - 560 - 640 - 720 - 800 - 880 - 960 - 1040 - 1120 - 1200 - 1280 - 1360 - 1440 - 1520 - 1600 - 1680 - 1760 - 1840 - 1920 - 2000 - 2080 - 2160 - 2240 - 2320 - 2400 - 2480 - 2560 - 2640 - 2720 - 2800 - 2880 - 2960 - 3040 - 3120 - 3200 - 3280 - 3360 - 3440 - 3520 - 3600
	28	240	3200	
	35	320	3600	
	43	400	3600	
	63	560	3600	
KLC KLV	43	400	3600	
	63	560	3600	

Longer single rails up to max. 4,080 mm on request
 Longer rail systems see pg. CR-96 Joined rails

Tab. 40

> NSW/NSA-version slider

NSW/NSA-series

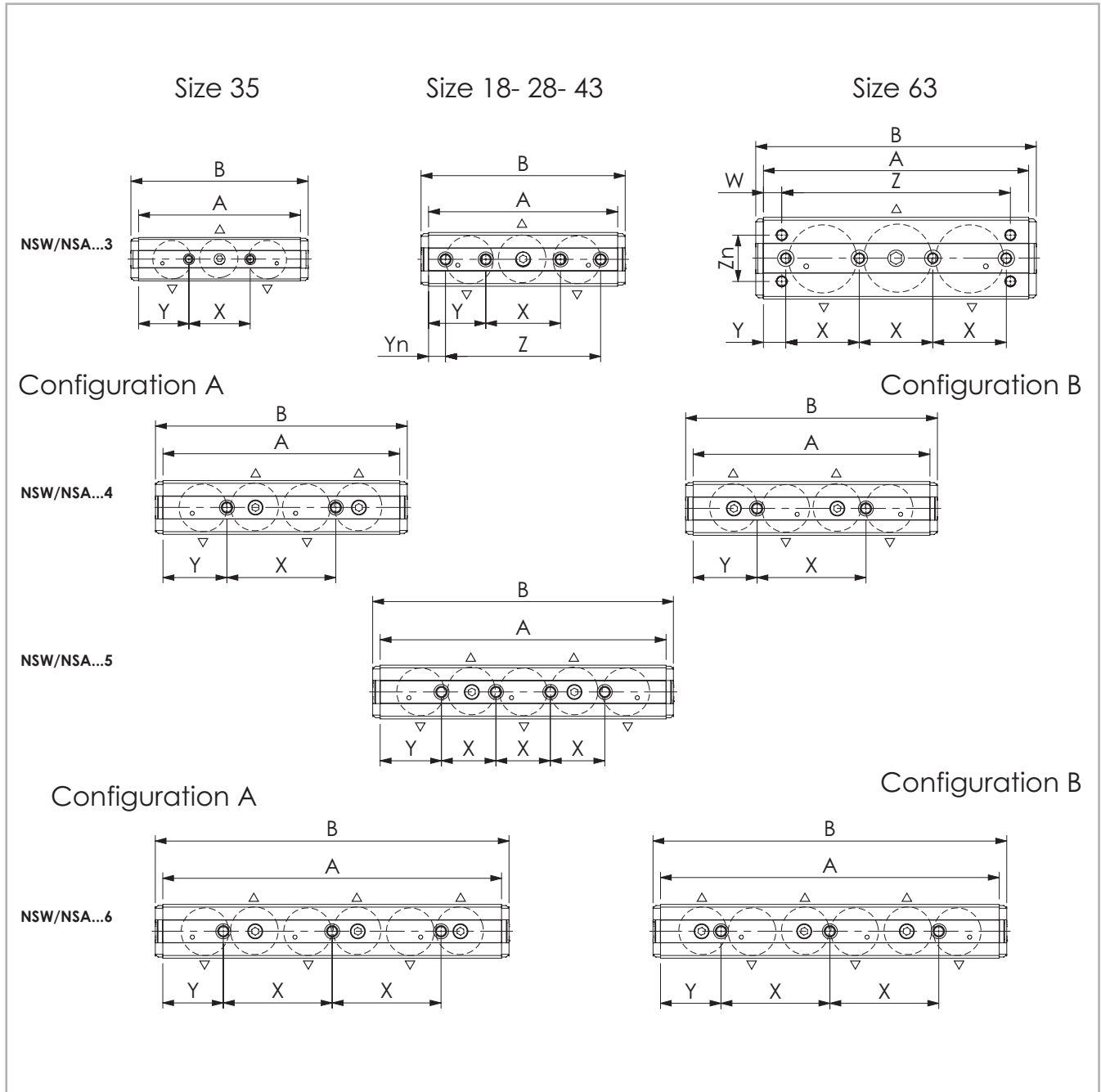


Fig. 109

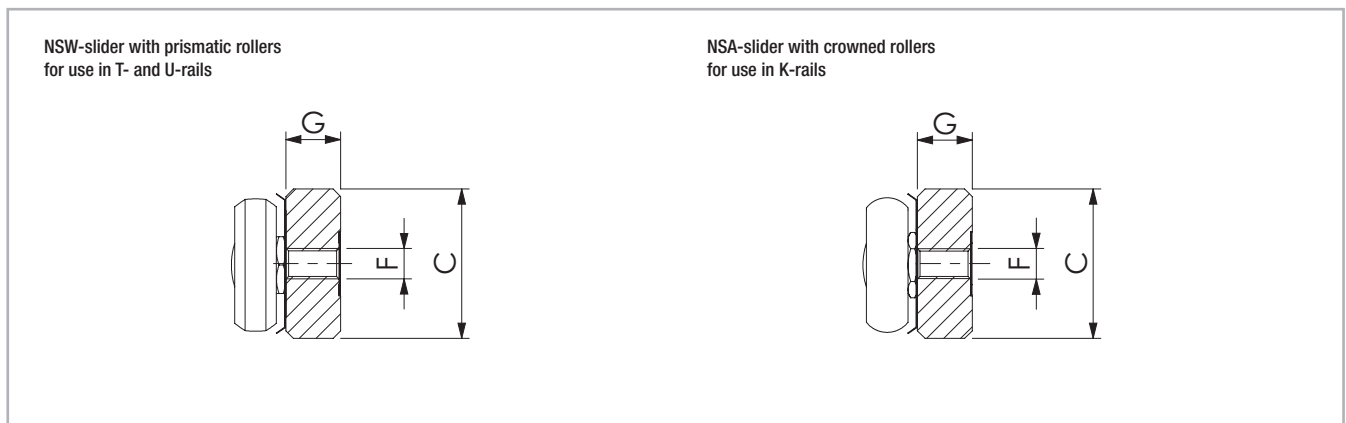


Fig. 110

Type	Size	No. of Rollers	A [mm]	B [mm]	C [mm]	G [mm]	F [mm]	X [mm]	Y [mm]	Z [mm]	Yn [mm]	Zn [mm]	W [mm]	No. of holes	Roller type used*			
NSW	18	3	70	78	16	7.2	M5	20	25	52	9	-	-	3	CPA18-CPN18			
		4	92	100				40	26	-	-			4	CPA18			
		5	112	120				20	26	-	-			5	CPA18			
		6	132	140				40	26	-	-			6	CPA18			
	28	3	97	108	24.9	9.7	M5	35	31	78	9.5	-	-	4	CPA28-CPN28			
		4	117	128				50	33.5	-	-			2	CPA28			
		5	142	153				25	33.5	-	-			4	CPA28			
		6	167	178				50	33.5	-	-			3	CPA28			
	35	3	119	130	32	11.9	M6	45	37	-	-	-	-	2	CPA35-CPN35			
		4	139	150				60	39.5					-	-	2	CPA35	
		5	169	180				30	39.5							4	CPA35	
		6	199	210				60	39.5							3	CPA35	
	43	3	139	150	39.5	14.5	M8	55	42	114	12.5	-	-			4	CPA43-CPN43	
		4	174	185				80	47	-	-			2	CPA43			
		5	210	221				40	45					-	-	4	CPA43	
		6	249	260				80	44.5					-	-	3	CPA43	
	63	3	195	206	60	20.2	M8	54	16.5			168	-	-	34	13.5	4+4	CPA63
		4	250	261				54	17	-	-	5			CPA63			
		5	305	316				54	17.5	-	-	6			CPA63			
		6	360	371				54	18	-	-	7			CPA63			
	NSA	43	3	139	150	39.5	14.5	M8	55	42	114	12.5	-	-	4	CRPA43-CRPN43		
			4	174	185				80	47	-	-			2	CRPA43		
			5	210	221				40	45					-	-	4	CRPA43
			6	249	260				80	44.5					-	-	3	CRPA43
63		3	195	206	60	20.2	M8	54	16.5	168			-	-	34	13.5	4+4	CRPA63
		4	250	261				54	17	-	-	5			CRPA63			
		5	305	316				54	17.5	-	-	6			CRPA63			
		6	360	371				54	18	-	-	7			CRPA63			

* Information about the roller type, see pg. CR-72, tab. 50

Tab. 41

> NSW...L/NSA...L-version slider

NSW...L/NSA...L-series version with long body

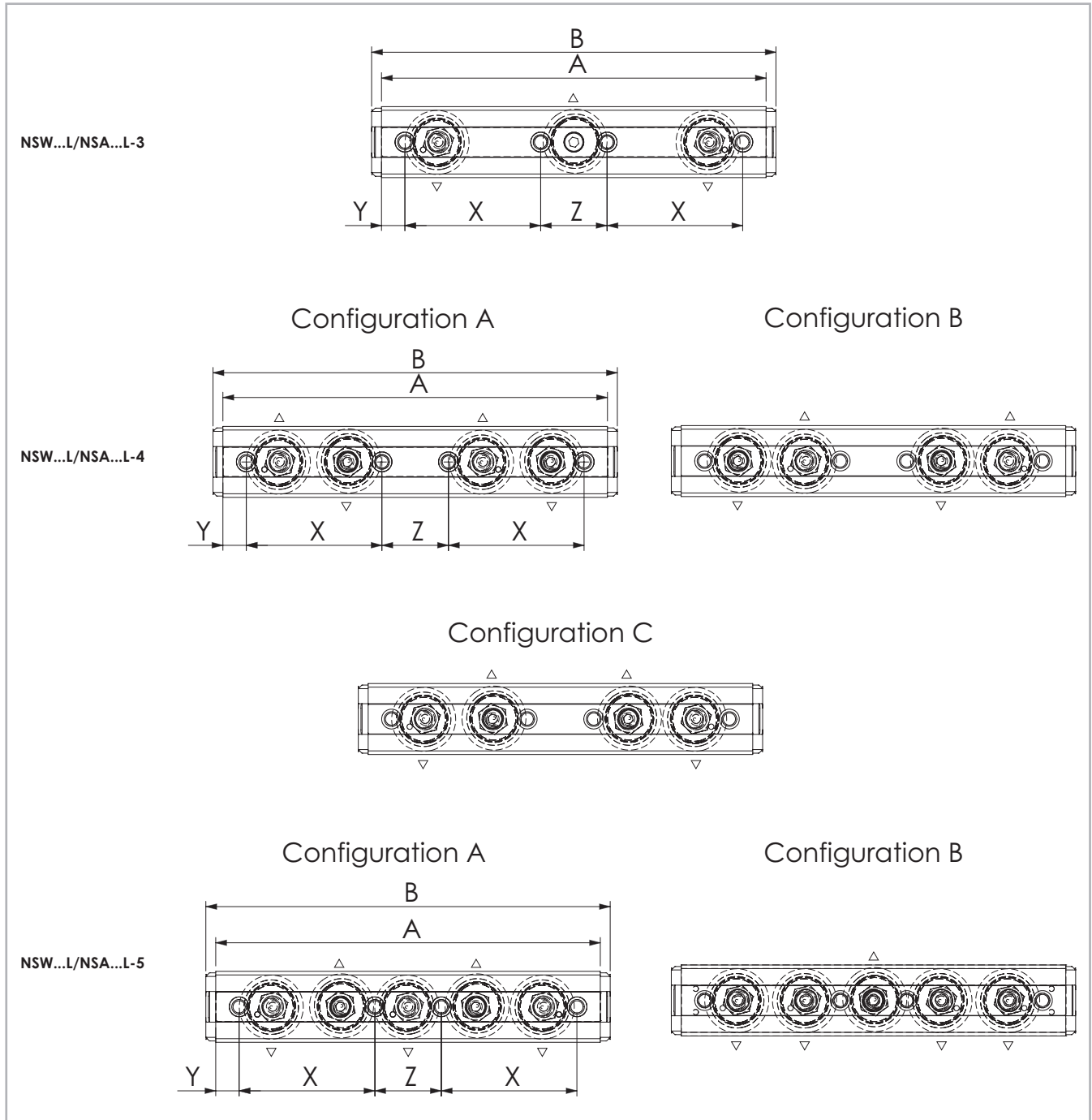


Fig. 111

Type	Size	No. of Rollers	A [mm]	B [mm]	C [mm]	G [mm]	F [mm]	X [mm]	Y [mm]	Z [mm]	No. of holes	Roller type used*
NSW28L	28	3 4 5	149	160	24.9	9.7	M5	52	9.5	26	4	CPA28
NSW43L	43	3	214	225	39.5	14.5	M8	75.5	13	37	4	CPA43
NSA43L		4 5										CRA43

Tab. 42

C
R

> NSD/NSDA-version slider

NSD/NSDA-series

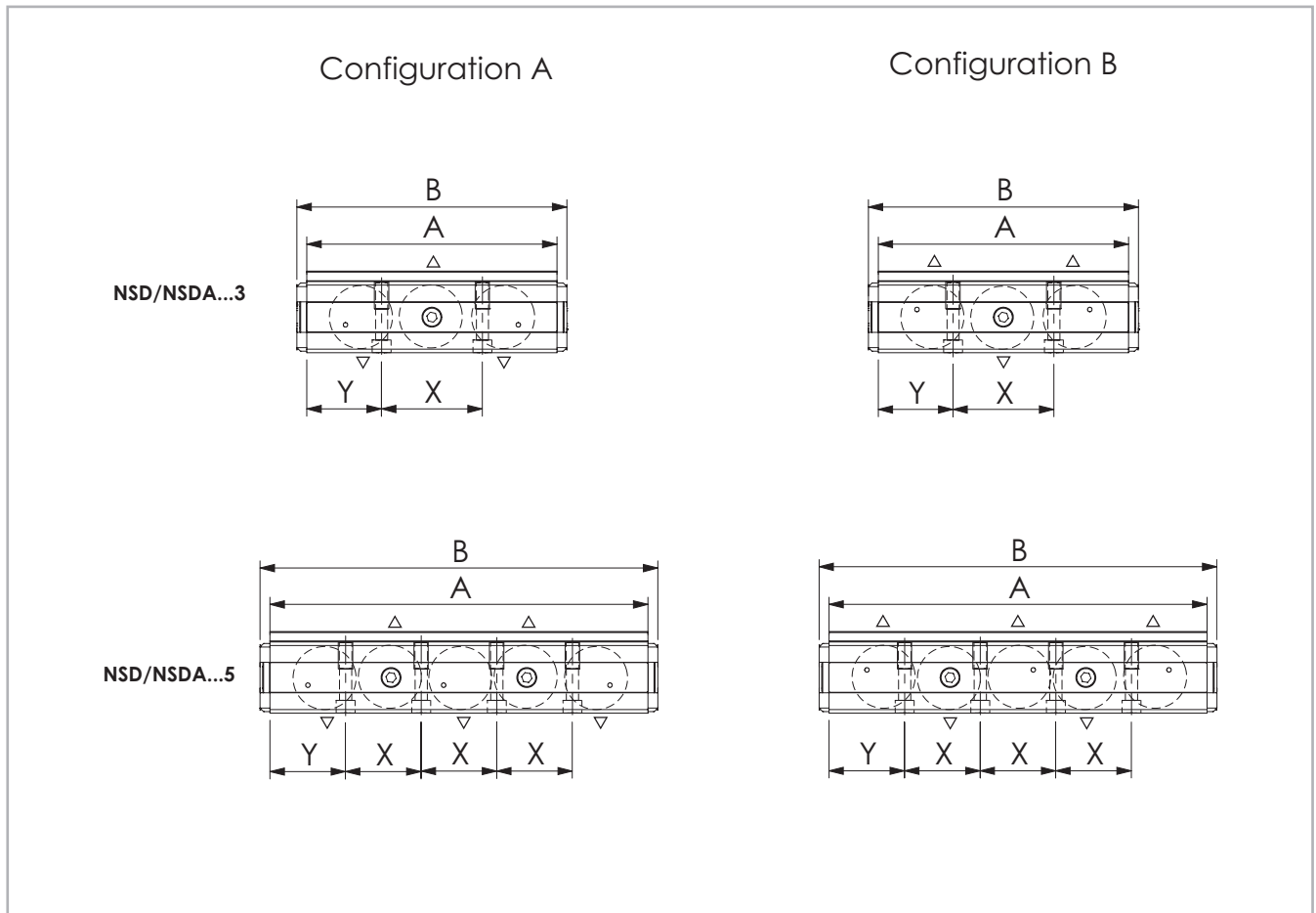


Fig. 112

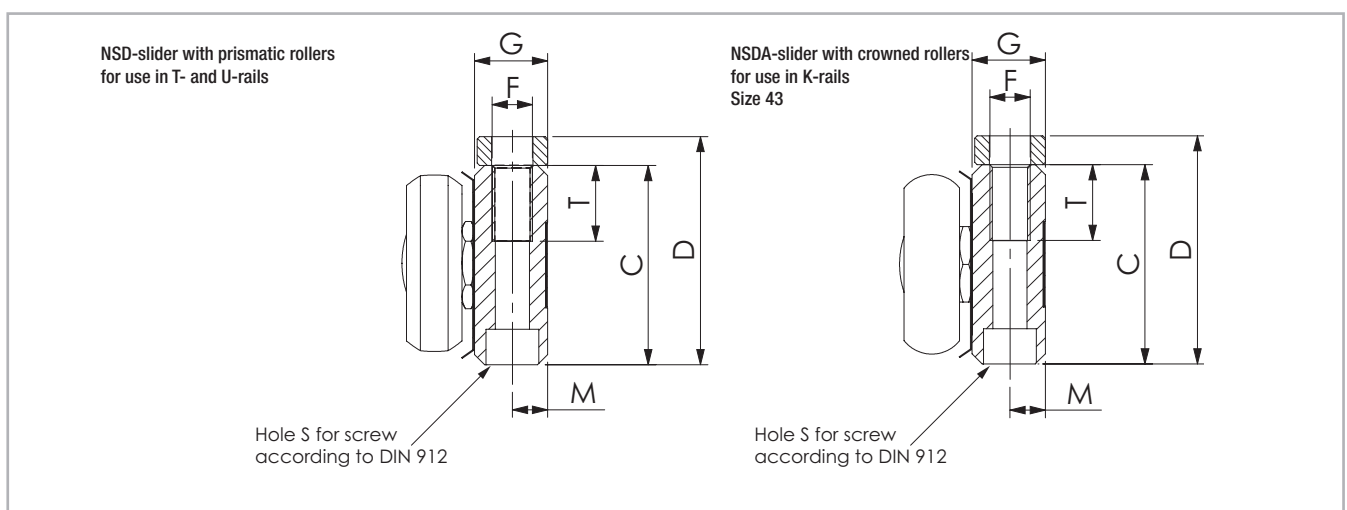


Fig. 113

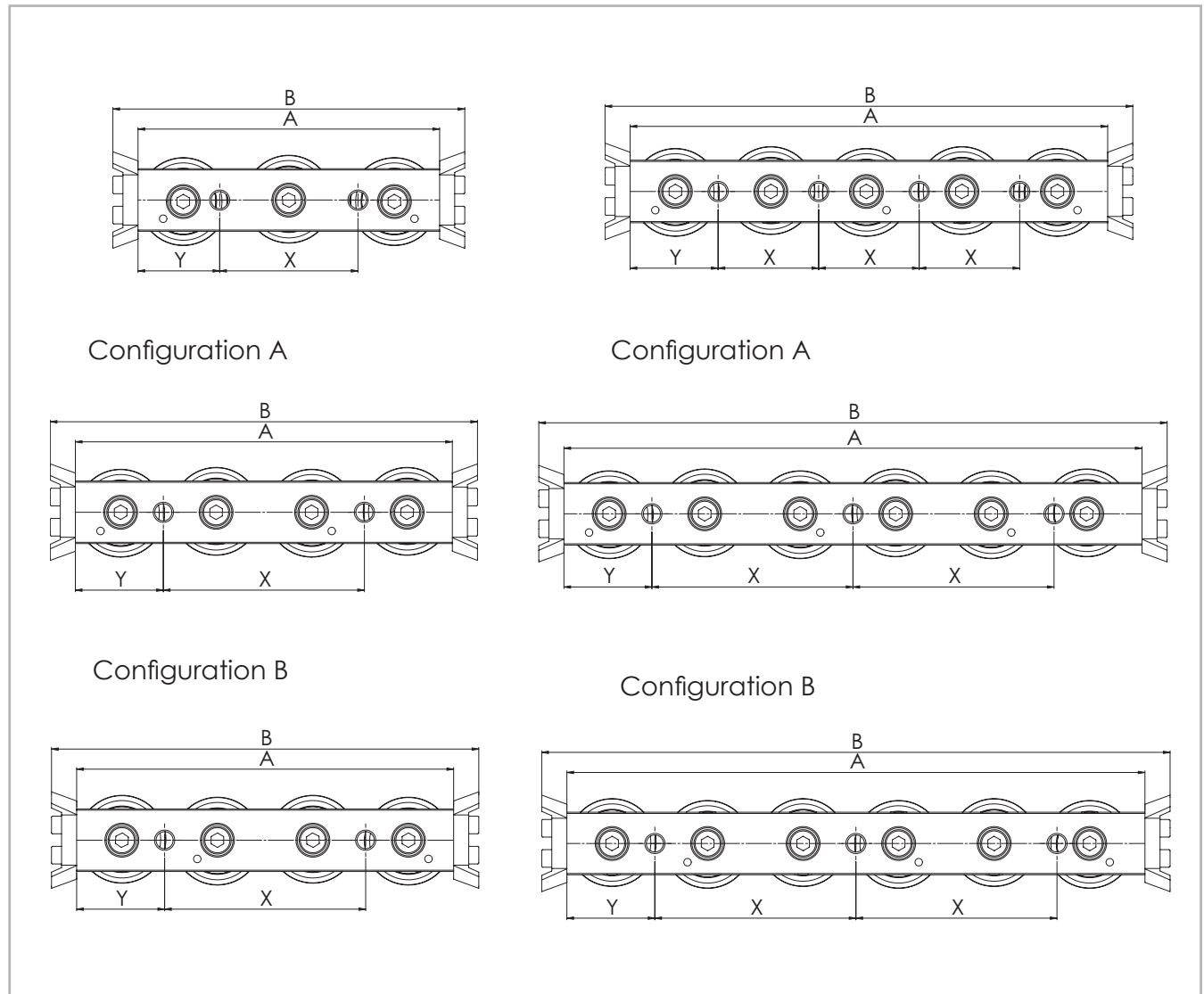
Type	Size	No. of rollers	A [mm]	B [mm]	C [mm]	D [mm]	G [mm]	M [mm]	S	T [mm]	F [mm]	X [mm]	Y [mm]	No. of holes	Roller type used*
NSD	28	3	97	108	24.9	30.45	9.7	4.7	M5	15	M6	36	30.5	2	CPA28
		5	142	153								27	30.5	4	CPA28
	35	3	119	130	32	36.35	12.4	6	M6	15	M8	45	37	2	CPA35
		5	169	180								30	39.5	4	CPA35
	43	3	139	150	39.5	45.25	14.5	7	M6	15	M8	56	41.5	2	CPA43
		5	210	221								42	42	4	CPA43
NSDA	43	3	139	150	39.5	45.25	14.5	7	M6	15	M8	56	41.5	2	CRPA43
		5	210	221								42	42	4	CRPA43

* Information about the roller type, see pg. CR-72, tab. 50

Tab. 43

> CS-version slider

CS-series



Representation of slider with wiper

Fig. 114

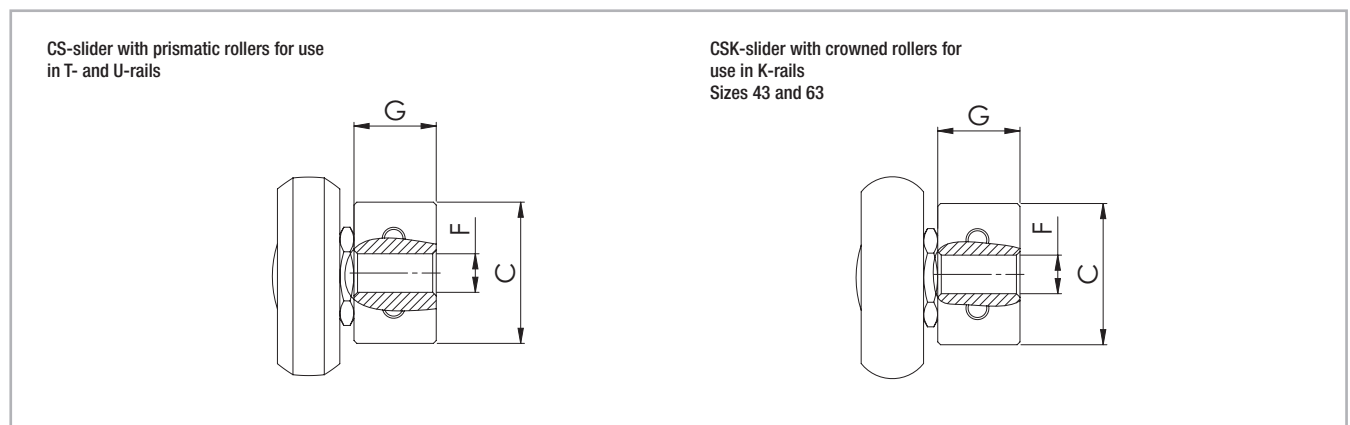


Fig. 115

Type	Size	Number of Rollers	A [mm]	B [mm]	C [mm]	G [mm]	F [mm]	X [mm]	Y [mm]	No. of holes	Roller type used*
CS	18	3	60	76	9.5	5.7	M5	20	20	2	CPA18-CPN18
		4	80	96	9.5	5.7	M5	40	20	2	CPA18
		5	100	116	9.5	5.7	M5	20	20	4	CPA18
		6	120	136	9.5	5.7	M5	40	20	3	CPA18
	28	3	80	100	14.9	9.7	M5	35	22.5	2	CPA28-CPN28
		4	100	120	14.9	9.7	M5	50	25	2	CPA28
		5	125	145	14.9	9.7	M5	25	25	4	CPA28
		6	150	170	14.9	9.7	M5	50	25	3	CPA28
	35	3	100	120	19.9	11.9	M6	45	27.5	2	CPA35-CPN35
		4	120	140	19.9	11.9	M6	60	30	2	CPA35
		5	150	170	19.9	11.9	M6	30	30	4	CPA35
		6	180	200	19.9	11.9	M6	60	30	3	CPA35
	43	3	120	140	24.9	14.5	M8	55	32.5	2	CPA43-CPN43
		4	150	170	24.9	14.5	M8	80	35	2	CPA43
		5	190	210	24.9	14.5	M8	40	35	4	CPA43
		6	230	250	24.9	14.5	M8	80	35	3	CPA43
63	3	180	200	39.5	19.5	M8	54	9	4	CPA63	
	4	235	255	39.5	19.5	M8	54	9.5	5	CPA63	
	5	290	310	39.5	19.5	M8	54	10	6	CPA63	
	6	345	365	39.5	19.5	M8	54	10.5	7	CPA63	
CSK	43	3	120	140	24.9	14.5	M8	55	32.5	2	CRPA43-CRPN43
		4	150	170	24.9	14.5	M8	80	35	2	CRPA43
		5	190	210	24.9	14.5	M8	40	35	4	CRPA43
		6	230	250	24.9	14.5	M8	80	35	3	CRPA43
	63	3	180	200	39.5	19.5	M8	54	9	4	CRPA63
		4	235	255	39.5	19.5	M8	54	9.5	5	CRPA63
		5	290	310	39.5	19.5	M8	54	10	6	CRPA63
		6	345	365	39.5	19.5	M8	54	10.5	7	CRPA63

* Information about the roller type, see pg. CR-72, tab. 50

Tab. 44

> T-rail with NSW / NSD / CS slider

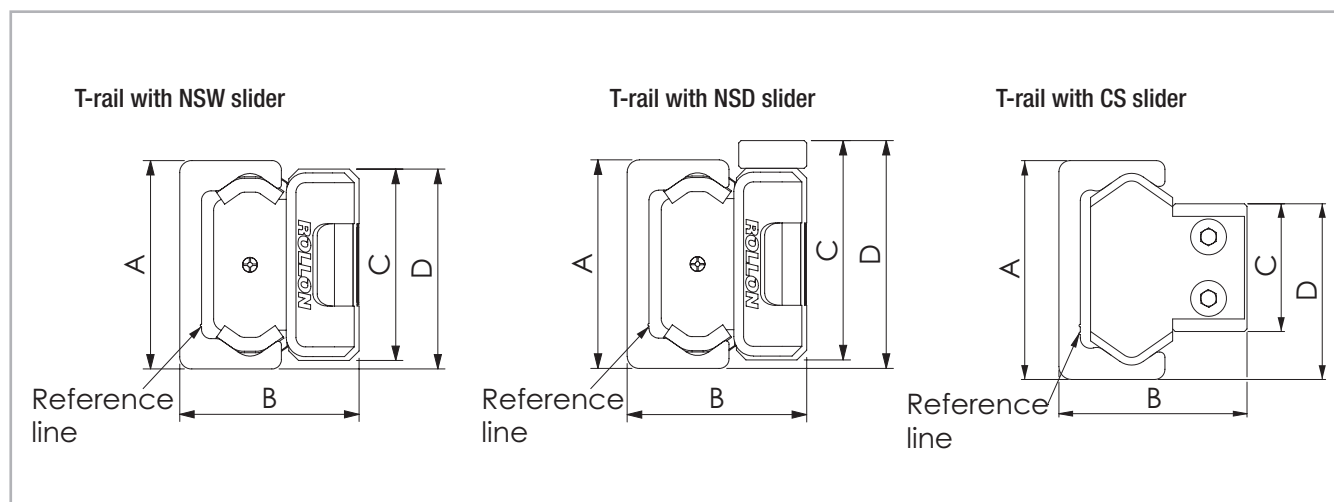


Fig. 116

Configuration	Size	A [mm]		B [mm]		C [mm]		D [mm]	
TL... / NSW	18	18	+0.2 -0.10	16.5	±0.15	16	0 -0.2	17	+0.1 -0.3
	28	28	+0.2 -0.10	23.9	±0.15	24.9	0 -0.2	26.45	+0.1 -0.3
	35	35	+0.35 -0.10	30.2	±0.15	32	0 -0.2	33.5	+0.2 -0.4
	43	43	+0.3 -0.10	37	±0.15	39.5	0 -0.2	41.25	+0.2 -0.4
	63	63	+0.3 -0.10	50.5	±0.15	60	0 -0.2	61.5	+0.2 -0.4
TL... / NSD	28	28	+0.2 -0.10	23.9	±0.15	24.9	0 -0.2	32	+0.1 -0.3
	35	35	+0.35 -0.10	30.2	±0.15	32	0 -0.2	37.85	+0.2 -0.4
	43	43	+0.3 -0.10	37	±0.15	39.5	0 -0.2	47	+0.2 -0.4
TL... / CS	18	18	+0.25 -0.10	15	+0.15 -0.15	9.5	0 -0.05	14	+0.05 -0.25
	28	28	+0.25 -0.10	23.9	+0.15 -0.15	14.9	0 -0.10	21.7	+0.05 -0.35
	35	35	+0.35 -0.10	30.2	+0.10 -0.30	19.9	+0.05 -0.15	27.85	+0.10 -0.30
	43	43	+0.35 -0.10	37	+0.15 -0.15	24.9	0 -0.15	34.3	+0.10 -0.30
	63	63	+0.35 -0.10	49.8	+0.15 -0.15	39.5	+0.15 0	51.6	+0.15 -0.30

Tab. 45

> U-rail with NSW / NSD / CS slider

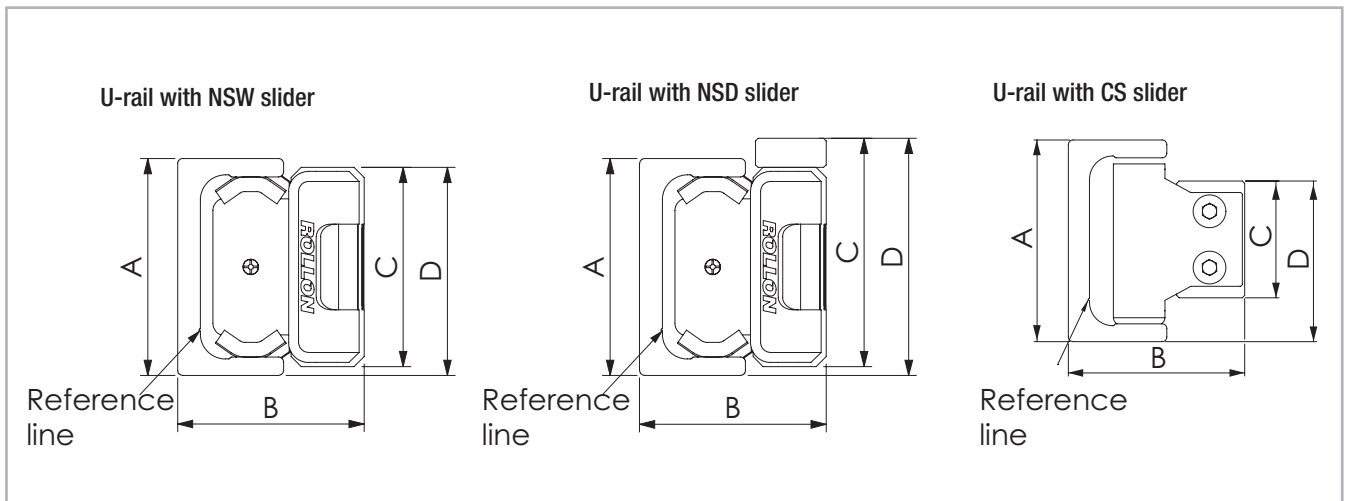
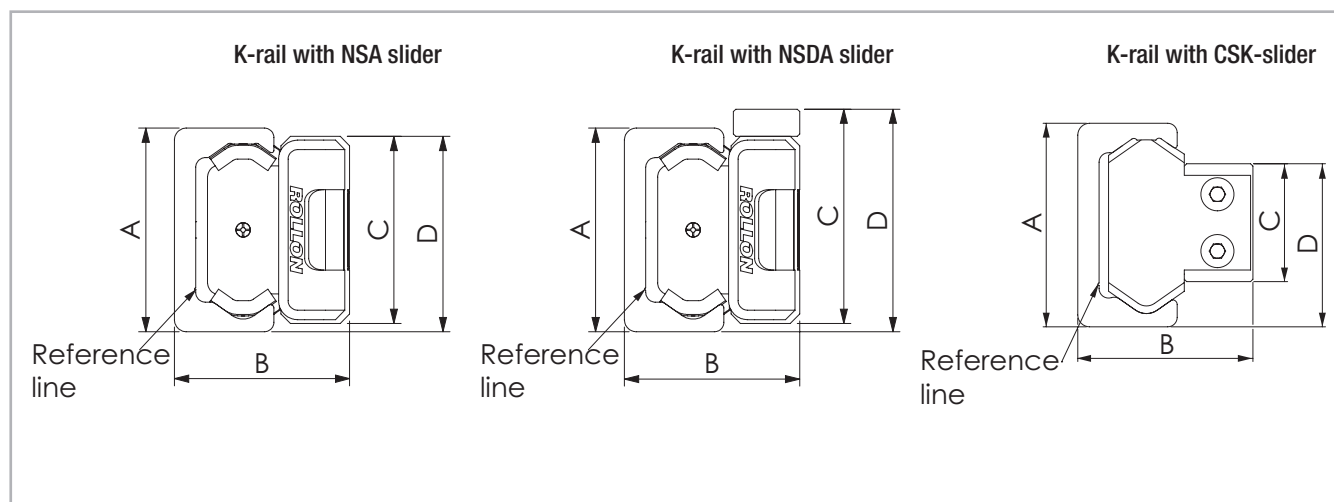


Fig. 117

Configuration	Size	A [mm]		B _{nom*} [mm]	C [mm]		D [mm]	
UL... / NSW	18	18	+0.25 -0.10	15	16	0 -0.2	17	+0.1 -0.3
	28	28	+0.25 -0.10	23.9	24.9	0 -0.2	26.45	+0.1 -0.3
	35	35	+0.35 -0.10	30.2	32	0 -0.2	33.5	+0.2 -0.4
	43	43	+0.35 -0.10	37	39.5	0 -0.2	41.25	+0.2 -0.4
	63	63	+0.35 -0.10	50.5	60	0 -0.2	61.5	+0.2 -0.4
UL... / NSD	28	28	+0.25 -0.10	23.9	24.9	0 -0.2	32	+0.1 -0.3
	35	35	+0.35 -0.10	30.2	32	0 -0.2	37.85	+0.2 -0.4
	43	43	+0.35 -0.10	37	39.5	0 -0.2	47	+0.2 -0.4
UL... / CS	18	18	+0.25 -0.10	15	9.5	0 -0.05	14	+0.05 -0.25
	28	28	+0.25 -0.10	23.9	14.9	0 -0.10	21.7	+0.05 -0.35
	35	35	+0.35 -0.10	30.2	19.9	+0.05 -0.15	27.85	+0.10 -0.30
	43	43	+0.35 -0.10	37	24.9	0 -0.15	34.3	+0.15 -0.30
	63	63	+0.35 -0.10	49.8	39.5	+0.15 0	51.6	+0.15 -0.30

Tab. 46

> K-rail with NSA / NSDA / CSK slider



The K-rail enables the slider to rotate around its longitudinal axis (see pg. CR-80)

Fig. 118

Configuration	Size	A [mm]		B [mm]		C [mm]		D [mm]	
KL... / NSA	43	43	+0.35 -0.1	37	±0.15	39.5	0 -0.2	41.25	+0.2 -0.4
	63	63	+0.35 -0.1	50.5	±0.15	60	0 -0.2	61.5	+0.2 -0.4
KL... / NSDA	43	43	+0.35 -0.1	37	±0.15	39.5	0 -0.2	41.25	+0.2 -0.4
KL... / CSK	43	43	+0.35 -0.10	37	+0.15 -0.15	24.9	0 -0.15	34.3	+0.10 -0.30
	63	63	+0.35 -0.10	49.8	+0.15 -0.15	39.5	+0.15 0	51.6	+0.15 -0.30

Tab. 47

> Offset of fixing holes

Principle representation of offset

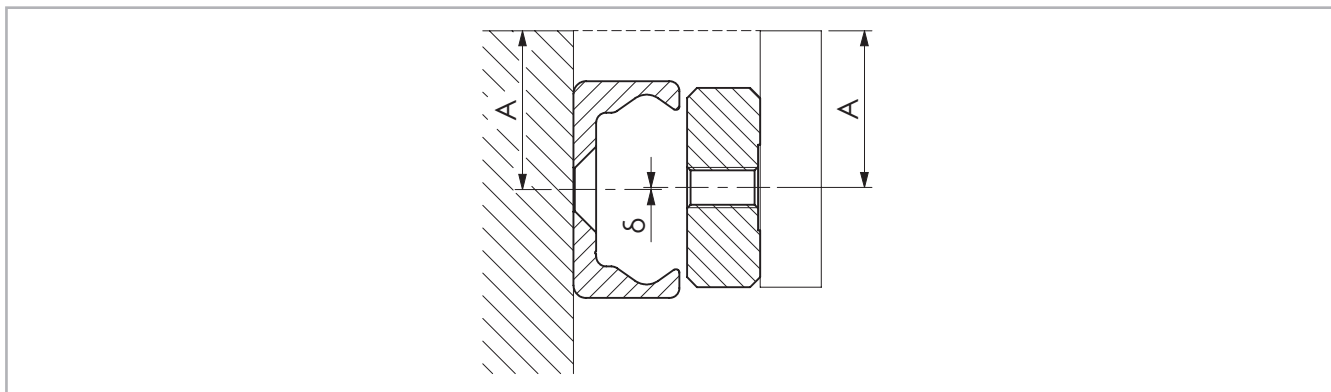


Fig. 119

Configura-tion	Size	δ nominal [mm]	δ maximum [mm]	δ minimum [mm]	Configura-tion	Size	δ nominal [mm]	δ maximum [mm]	δ minimum [mm]
TLC / NSW	18	0	+0.5	-0.5	TLC / CS	18	0.35	+0.75	-0.2
	28		+0.5	-0.5		28	0.25	0.6	-0.35
	35		+0.6	-0.6		35	0.35	+0.7	-0.35
	43		+0.6	-0.6		43	0.35	+0.8	-0.35
	63		+0.65	-0.65		63	0.35	+0.6	-0.35
KLC / NSA	43		+0.6	-0.6	KLC / CSK	43	0.35	+0.8	-0.35
	63		+0.65	-0.65		63	0.35	+0.6	-0.35
ULC / NSW	18		+0.5	-0.5	ULC / CS	18	0.3	+0.7	-0.2
	28		+0.5	-0.5		28	0.3	+0.6	-0.3
	35		+0.6	-0.6		35	0.35	+0.7	-0.35
	43		+0.6	-0.6		43	0.4	+0.75	-0.35
	63		+0.65	-0.65		63	0.35	+0.6	-0.25
TLV / NSW	18		+0.35	-0.35	TLV / CS	18	0.35	+0.6	-0.15
	28		+0.35	-0.35		28	0.25	+0.45	-0.3
	35		+0.45	-0.45		35	0.35	+0.55	-0.3
	43		+0.45	-0.45		43	0.35	+0.65	-0.3
	63		+0.5	-0.5		63	0.35	+0.45	-0.35
KLV / NSA	43		+0.45	-0.45	KLV / CSK	43	0.35	+0.65	-0.3
	63		+0.5	-0.5		63	0.35	+0.45	-0.35
ULV / NSW	18		+0.35	-0.35	ULV / CS	18	0.3	+0.55	-0.15
	28	+0.35	-0.35	28		0.3	+0.45	-0.25	
	35	+0.45	-0.45	35		0.35	+0.55	-0.3	
	43	+0.45	-0.45	43		0.4	+0.6	-0.3	
	63	+0.5	-0.5	63		0.35	+0.45	-0.25	

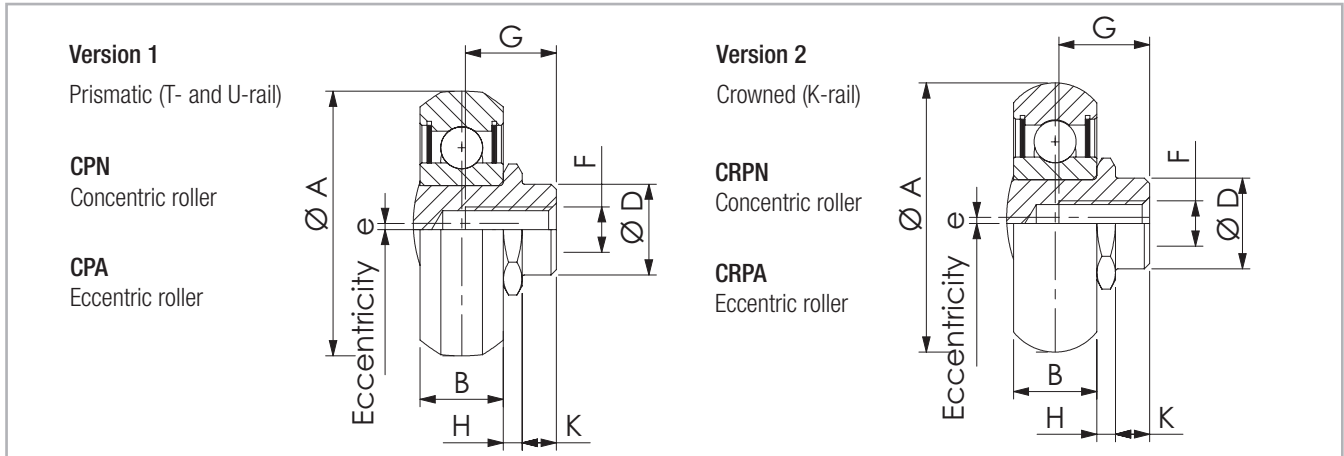
Tab. 48

Tab. 49

Accessories



> Rollers



Seals: 2RS is the splash-proof seal, 2Z (2ZR for size 63) is the steel cover disc
Note: The rollers are lubricated for life

Fig. 120

Type		A	B	D	e	H	K	G	F	C	C _{0rad}	Weight
Steel	Inox	[mm]	[mm]	[mm]	[mm]	[mm]	[mm]	[mm]		[N]	[N]	[kg]
CPN18-2RS	CXPNX18-2RS	14	4	6	-	1.55	1.8	5.5	M4	765	410	0.004
CPN18-2Z	-	14	4	6	-	1.55	1.8	5.5	M4	765	410	0.004
CPA18-2RS	CXPAX18-2RS	14	4	6	0.4	1.55	1.8	5.5	M4	765	410	0.004
CPA18-2Z	-	14	4	6	0.4	1.55	1.8	5.5	M4	765	410	0.004
CPN28-2RS	CXPNX28-2RS	23.2	7	10	-	2.2	3.8	7	M5	2130	1085	0.019
CPN28-2Z	-	23.2	7	10	-	2.2	3.8	7	M5	2130	1085	0.019
CPA28-2RS	CXPAX28-2RS	23.2	7	10	0.6	2.2	3.8	7	M5	2130	1085	0.019
CPA28-2Z	-	23.2	7	10	0.6	2.2	3.8	7	M5	2130	1085	0.019
CPN35-2RS	CXPNX35-2RS	28.2	7.5	12	-	2.55	4.2	9	M5	4020	1755	0.032
CPN35-2Z	-	28.2	7.5	12	-	2.55	4.2	9	M5	4020	1755	0.032
CPA35-2RS	CXPAX35-2RS	28.2	7.5	12	0.7	2.55	4.2	9	M5	4020	1755	0.032
CPA35-2Z	-	28.2	7.5	12	0.7	2.55	4.2	9	M5	4020	1755	0.032
CPN43-2RS	CXPNX43-2RS	35	11	12	-	2.5	4.5	12	M6	6140	2750	0.06
CPN43-2Z	-	35	11	12	-	2.5	4.5	12	M6	6140	2750	0.06
CPA43-2RS	CXPAX43-2RS	35	11	12	0.8	2.5	4.5	12	M6	6140	2750	0.06
CPA43-2Z	-	35	11	12	0.8	2.5	4.5	12	M6	6140	2750	0.06
CPN63-2ZR	CXPNX63-2RS	50	17.5	18	-	2.3	6	16	M8	15375	6250	0.19
CPA63-2ZR	CXPAX63-2RS	50	17.5	18	1.2	2.3	6	16	M10	15375	6250	0.19
CRPN43-2Z	CRXPNX43-2RS	35.6	11	12	-	2.5	4.5	12	M6	6140	2550	0.06
CRPA43-2Z	CRXPAX43-2RS	35.6	11	12	0.8	2.5	4.5	12	M6	6140	2550	0.06
CRPN63-2ZR	CRXPNX63-2RS	49.7	17.5	18	-	2.3	6	16	M8	15375	5775	0.19
CRPA63-2ZR	CRXPAX63-2RS	49.7	17.5	18	1.2	2.3	6	16	M10	15375	5775	0.19

Tab. 50

> Wipers

Wipers for NSW / NSA / NSD / NSDA

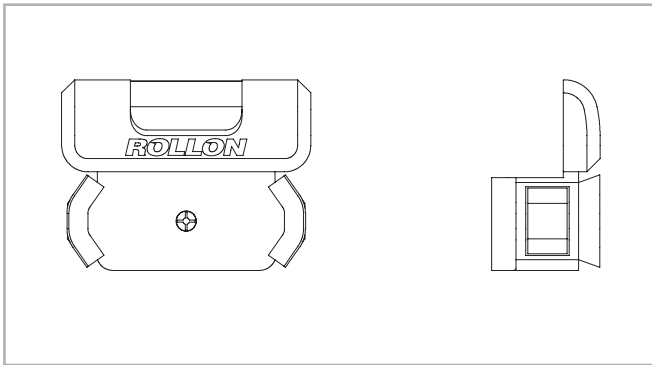


Fig. 121

Rail size	Pair of wipers
18	ZK-WNS18
28	ZK-WNS28
35	ZK-WNS35
43	ZK-WNS43
63	ZK-WNS63

Tab. 51

Wipers for CS / CSK

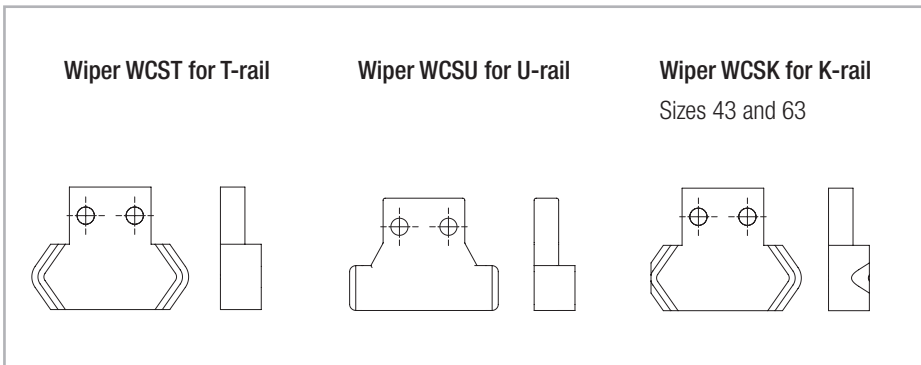


Fig. 122

Rail size	Pair of wipers
18	ZK-WCS...18
28	ZK-WCS...28
35	ZK-WCS...35
43	ZK-WCS...43
63	ZK-WCS...63

Tab. 52

> Alignment fixture AT (for T- and U-rail)

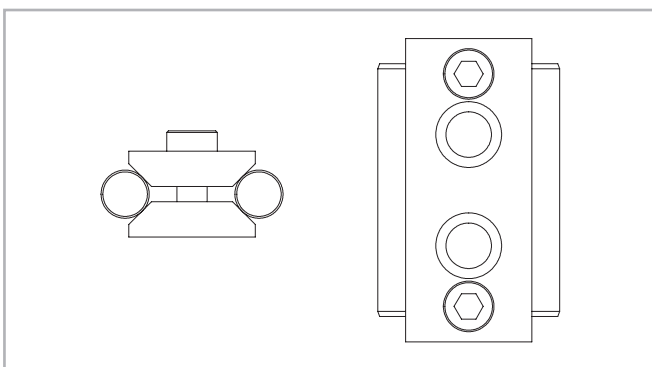


Fig. 123

Rail size	Alignment fixture
18	AT 18
28	AT 28
35	AT 35
43	AT 43
63	AT 63

Tab. 53

> Alignment fixture AK (for K-rail)

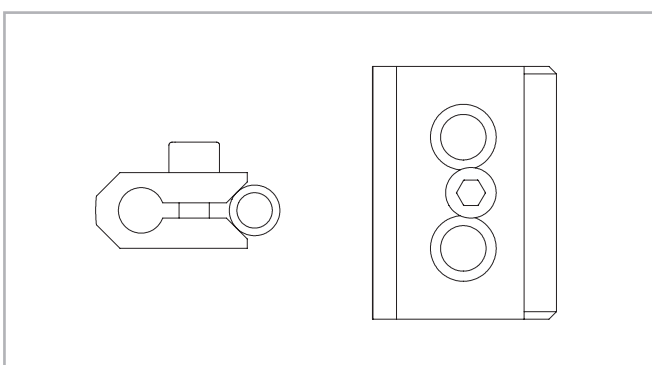


Fig. 124

Rail size	Alignment fixture
43	AK 43
63	AK 63

Tab. 54

> Fixing screws

When a rail with counterbored holes is delivered, the Torx® screws are provided in the right quantity.

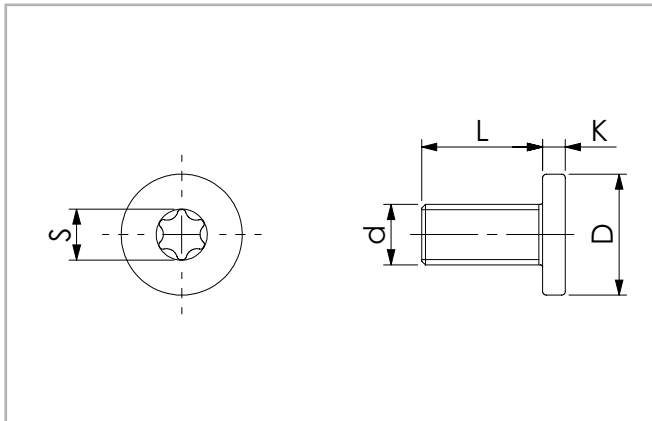


Fig. 125

Rail size	d	D [mm]	L [mm]	K [mm]	S	Tightening torque [Nm]
18	M4 x 0.7	8	8	2	T20	3
28	M5 x 0.8	10	10	2	T25	9
35	M6 x 1	13	13	2,7	T30	12
43	M8 x 1.25	16	16	3	T40	22
63	M8 x 1.25	13	20	5	T40	35

Tab. 55

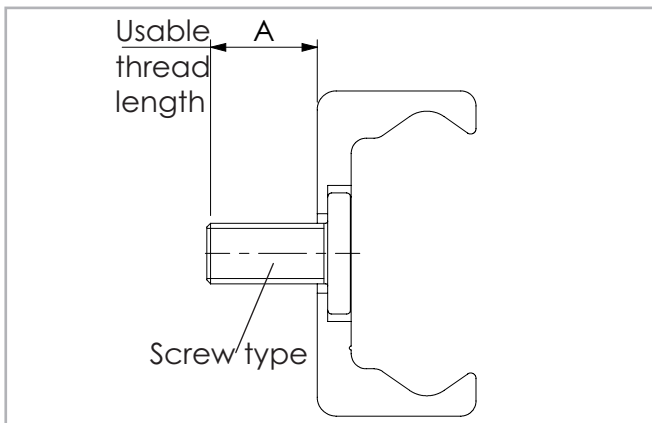


Fig. 126

Rail size	Screw type	Usable thread length [mm]
18	M4 x 8	7.2
28	M5 x 10	9
35	M6 x 13	12.2
43	M8 x 16	14.6
63	M8 x 20	17.2

Tab. 56

> Manual clamp elements

Compact Rail guides can be secured with manual clamping elements. Areas of application are:

- Table cross beams and sliding beds
- Width adjustment, stops
- Positioning of optical equipment and measuring tables

The HK series is a manually activated clamping element. By using the freely adjustable clamping lever (except for HK 18, which uses hexagon socket bolt M6 DIN 913 with 3 mm drive) press the contact profile synchronously on the free surfaces of the rail. The floating mounted contact profiles guarantee symmetrical introduction of force on the guide rail.

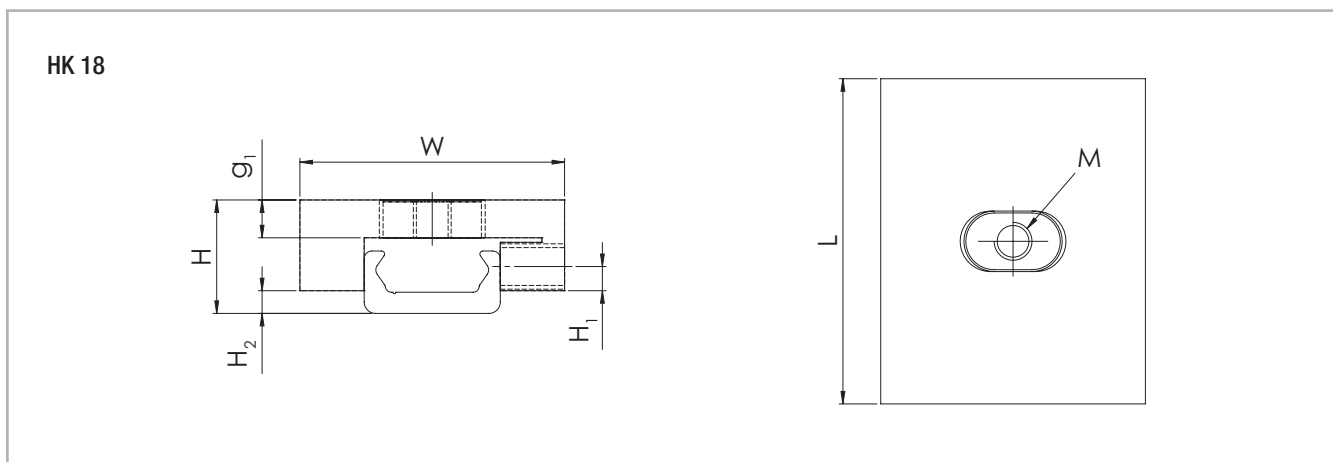


Fig. 127

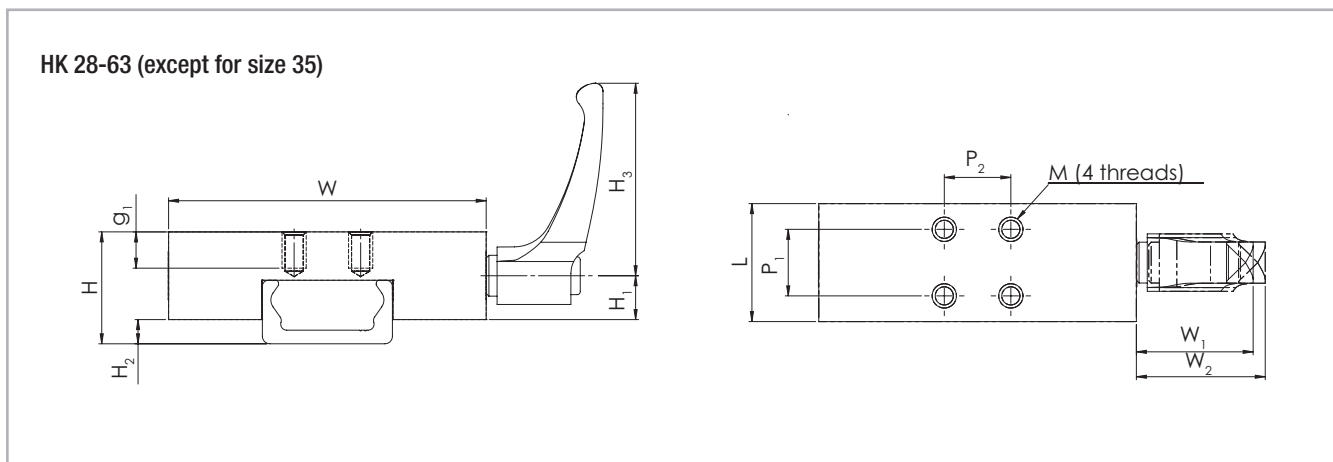


Fig. 128

Type	Size	Holding force [N]	Tightening torque [Nm]	Dimensions [mm]											M
				H	H ₁	H ₂	H ₃	W	W ₁	W ₂	L	P ₁	P ₂	g ₁	
HK1808A	18	150	0.5	15	3.2	3	-	35	-	-	43	0	0	6	M5
HK2808A	28	1200	7	24	17	5	64	68	38.5	41.5	24	15	15	6	M5
HK4308A	43	2000	15	37	28.5	8	78	105	46.5	50.5	39	22	22	12	M8
HK6308A	63	2000	15	50.5	35	9.5	80	138	54.5	59.5	44	26	26	12	M8

Tab. 57

Technical instructions



> Linear accuracy

Linear accuracy is defined as the maximum deviation of the slider in the rail based on the side and support surface during straight line movement.

The linear accuracy, depicted in the graphs below, applies to rails that are carefully installed with all the provided screws on a level and rigid foundation.

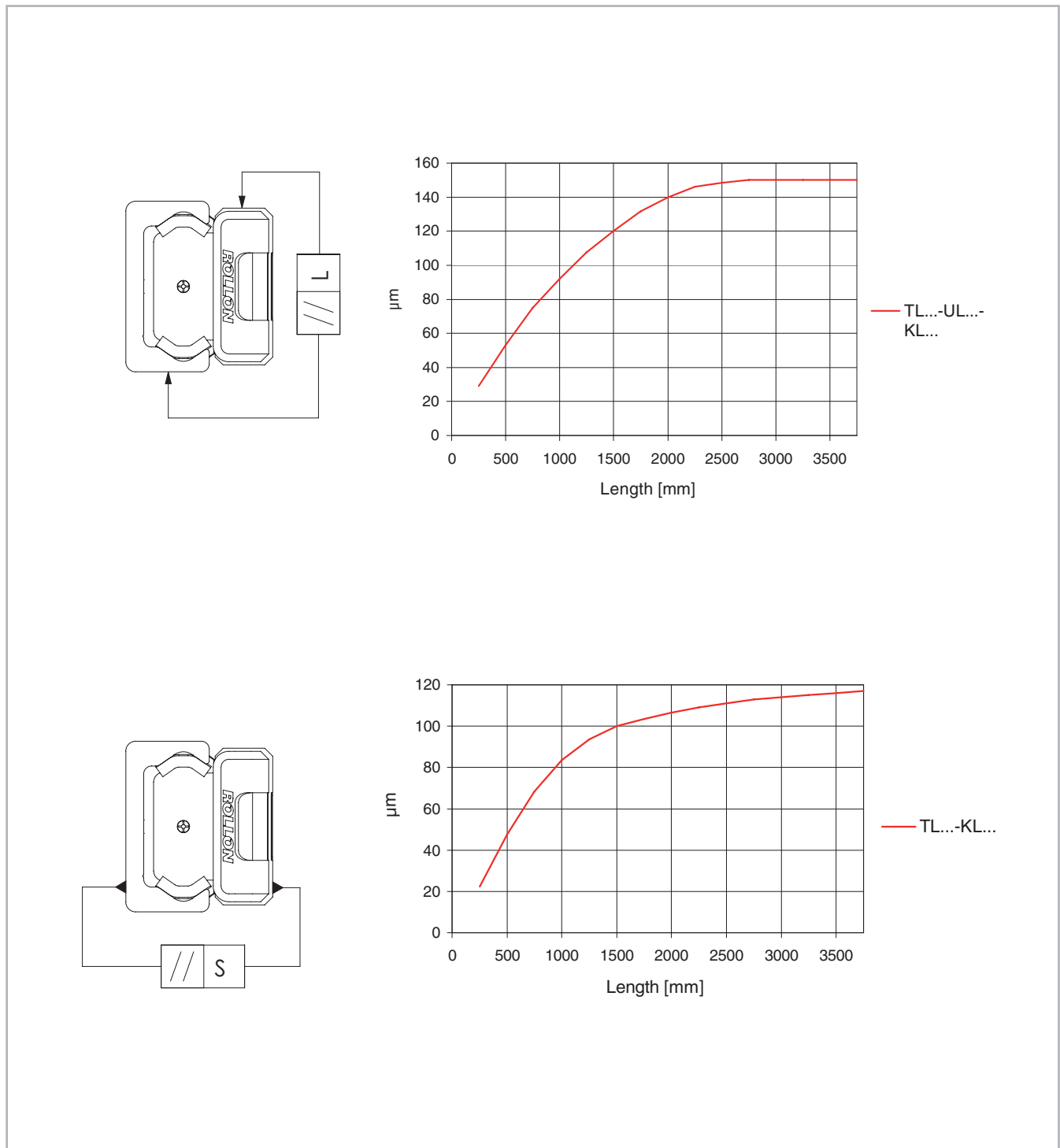
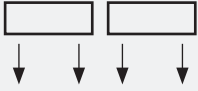
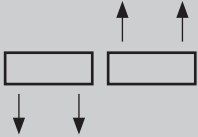


Fig. 129

Deviation of accuracy with two 3 roller sliders in one rail

Type	TL..., UL..., KL...
ΔL [mm] Slider with equal arrangement 	0.2
ΔL [mm] Slider with opposite arrangement 	1.0
ΔS [mm]	0.05

Tab. 58

> Supported sides

If a higher system rigidity is required, a support of the rail sides is recommended, which can also be used as the reference surface (see fig. 130). The minimum required support depth can be taken from the adjacent table (see tab. 59).

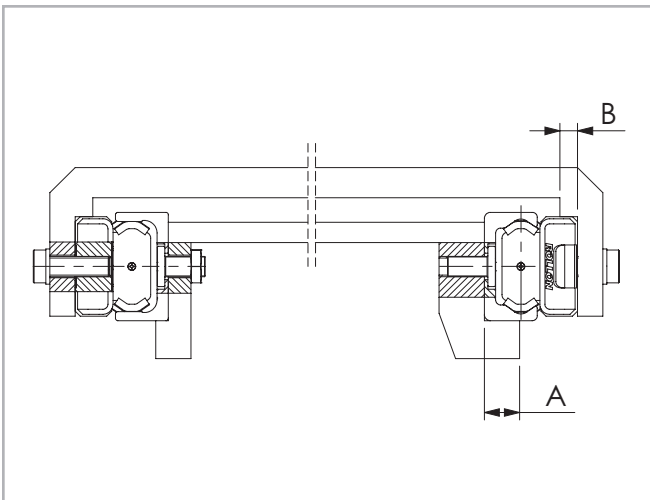


Fig. 130

Rail size	A [mm]	B [mm]
18	5	4
28	8	4
35	11	5
43	14	5
63	18	5

Tab. 59

> T+U-system tolerance compensation

Axial deviations in parallelism

This problem occurs fundamentally by insufficient precision in the axial parallelism of the mounting surfaces, which results in an excessive load on the slider and thus causes drastically reduced service life.

The use of fixed bearing and compensating bearing rail (T+U-system) solves the unique problem of aligning two track, parallel guide systems. By using a T+U-system, the T-rail takes over the motion of the track while the U-rail serves as a support bearing and takes only radial forces and M_z moments.

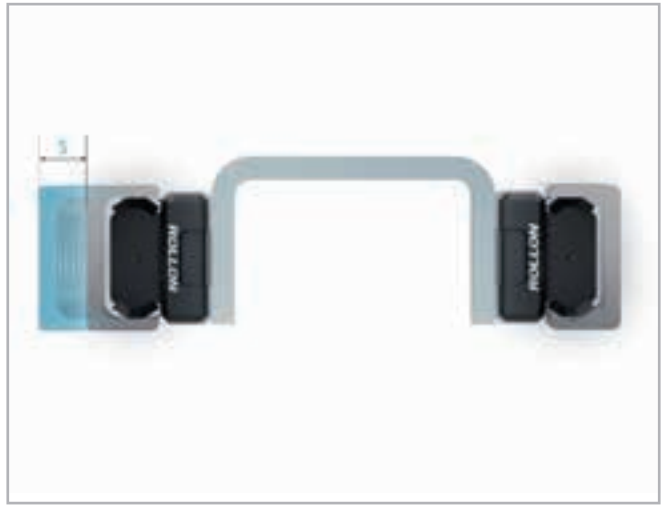


Fig. 131

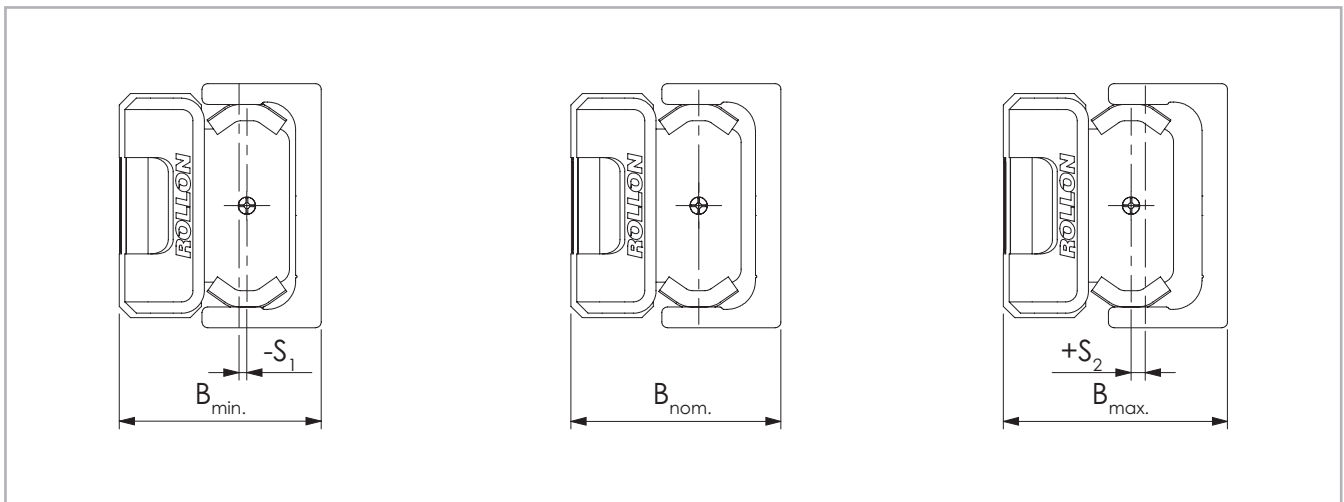


Fig. 132

T+U-system maximum offset

U-rails have flat parallel raceways that allow free lateral movement of the sliders. The maximum axial offset that can be compensated for in each slider of the U-rail is made up of the combined values S_1 and S_2 listed in table 60. Considered from a nominal value B_{nom} as the starting point, S_1 indicates the maximum offset into the rail, while S_2 represents the maximum offset towards the outside of the rail.

Slider type	S_1 [mm]	S_2 [mm]	B_{min} [mm]	B_{nom} [mm]	B_{max} [mm]
NSW18	0.3	1.1	16.2	16.5	17.6
NSW28 NSD28	0.6	1.3	23.3	23.9	25.2
NSW35 NSD35	1.3	2.7	28.9	30.2	32.9
NSW43 NSD43	1.4	2.5	35.6	37	39.5
NSW63	0.4	3.5	50.1	50.5	54
CS18	0.3	1.1	14.7	15	16.1
CS28	0.6	1.3	23.3	23.9	25.2
CS35	1.3	2.7	28.9	30.2	32.9
CS43	1.4	2.5	35.6	37	39.5
CS63	0.4	3.5	49.4	49.8	53.3

Tab. 60

The application example in the adjacent drawing (see fig. 134) shows that the T+U-system implements a problem-free function of the slider even with an angled offset in the mounting surfaces.

If the length of the guide rails is known, the maximum allowable angle deviation of the screwed surfaces can be determined using this formula (the slider in the U-rail moves here from the innermost position S_1 to outermost position S_2):

$\alpha = \arctan \frac{S^*}{L}$	$S^* = \text{Sum of } S_1 \text{ and } S_2$ $L = \text{Length of rail}$
----------------------------------	--

Fig. 133

The following table (tab. 61) contains guidelines for this maximum angle deviation α , achievable with the longest guide rail from one piece.

Size	Rail length [mm]	Offset S [mm]	Angle α [°]
18	2000	1.4	0.040
28	3200	1.9	0.034
35	3600	4	0.063
43	3600	3.9	0.062
63	3600	3.9	0.062

Tab. 61

The T+U-system can be designed in different arrangements (see fig. 135). A T-rail accepts the vertical components of load A U-rail attached underneath the component to be guided prevents the vertical panel from swinging and is used as moment support. In addition, a vertical offset in the structure, as well as possible existing unevenness of the support surface, is compensated.

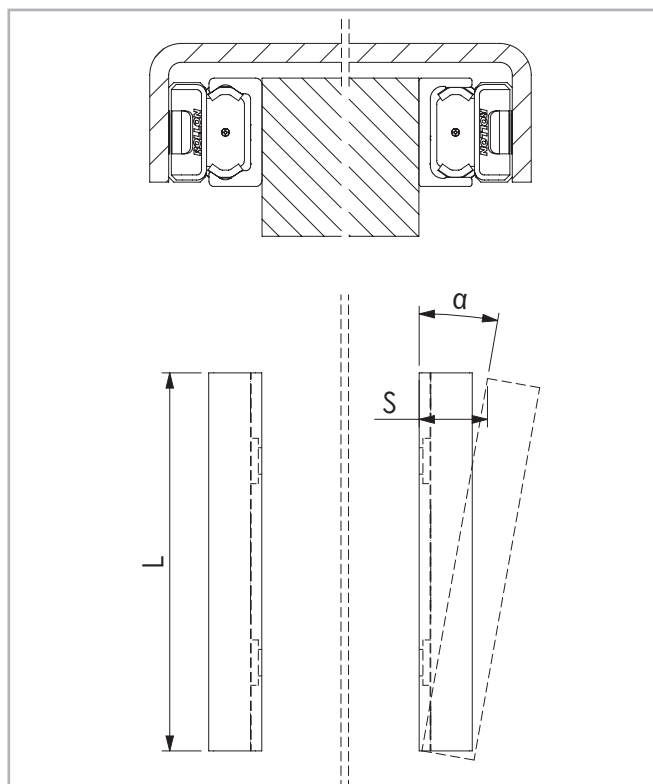


Fig. 134



Fig. 135

> K+U-system tolerance compensation

Deviations in parallelism in two planes

The K+U-system, like the T+U-system, can compensate for axial deviations in parallelism. Additionally, the K+U system has the option of rotating the slider in the rail, which will compensate for other deviations in parallelism, e.g. height offset.

The unique raceway contour of the K-rail allows the slider a certain rotation around its longitudinal axis, with the same linear precision as with a T-rail. With the use of a K+U-system, the K-rail accounts for the main loads and the motion of the track. The U-rail is used as a support bearing and takes only radial forces and M_z moments. The K-rail must always be installed so that the radial load of the slider is always supported by at least 2 load bearing roller sliders, which lie on the V-shaped raceway (reference line) of the rail.



Fig. 136

K-rails and sliders are available in both sizes 43 and 63. The custom NSA-slider may only be used in K-rails and cannot be exchanged with other Rollon sliders. The maximum allowable rotation angle of the NSA- and NSW-sliders are shown in the following table 62 and figure 137. α_1 is the maximum rotation angle counterclockwise, α_2 is clockwise.

Slider type	α_1 [°]	α_2 [°]
NSA43 and NSW43 / CSK43 and CSW43	2	2
NSA63 and NSW63 / CSK63 and CSW63	1	1

Values referred to NSW and CSW slider in U rail

Tab. 62

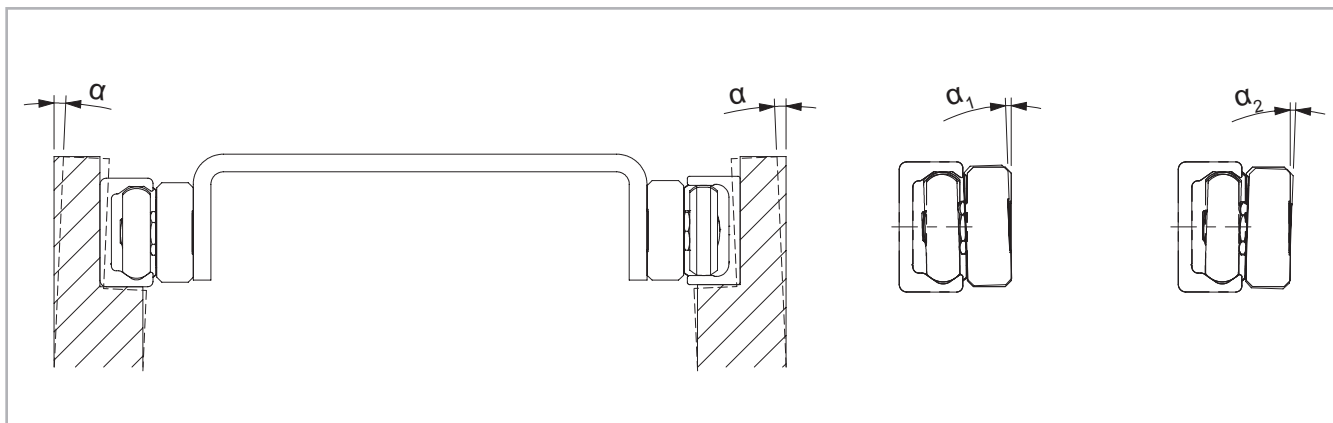


Fig. 137

K+U-system maximum offset

It must be noted that the slider in the U-rail will turn during the movement and rotation of the slider in the K-rail to allow an axial offset. During the combined effect of these movements, you must not exceed the maximum values (see tab. 63). If a maximum rotated NSW or CSW- slider is observed (2° for size 43 and 1° for size 63), the maximum and minimum position of the slider in the U rail results from the values B_{0max} and B_{0min} , which are already considered by the additional rotation caused axial offset. B_{0nom} is a recommended nominal starting value for the position of a NSW or CSW-slider in the U-rail of a K+U-system.

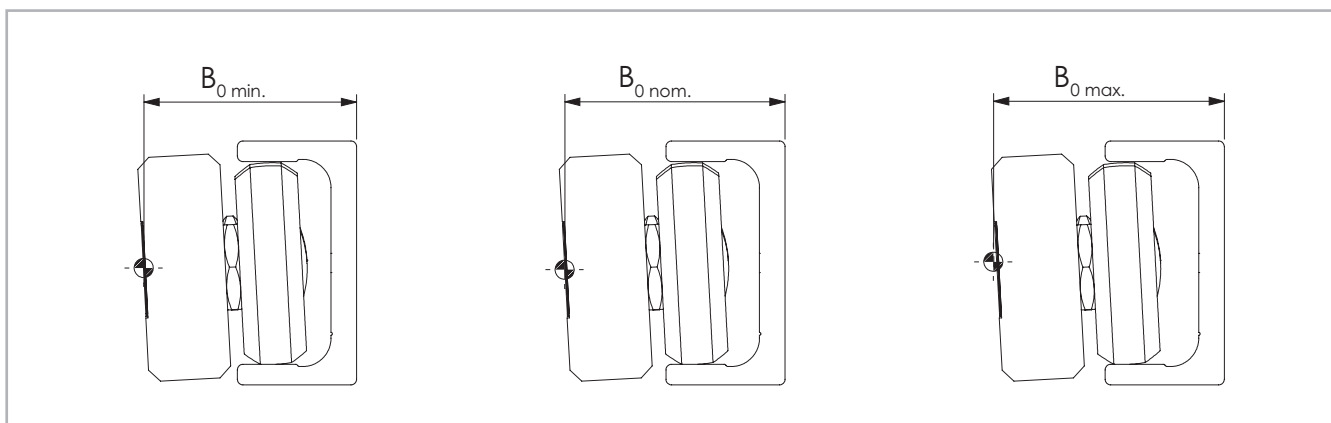


Fig. 138

Slider type	B_{0min} [mm]	B_{0nom} [mm]	B_{0max} [mm]
NSW43	37.6	38.85	40.1
NSD43	37.9	39.15	40.4
NSW63	49.85	51.80	53.75
CS43	37.6	38.85	40.1
CS63	49.85	51.80	53.75

Tab. 63

If a K-rail is used in combination with a U-rail, with guaranteed problem-free running and without extreme slider load, a pronounced height difference between the two rails can also be compensated for. The following illustration shows the maximum height offset b of the mounting surfaces in relation to the distance a of the rails (see fig. 139).

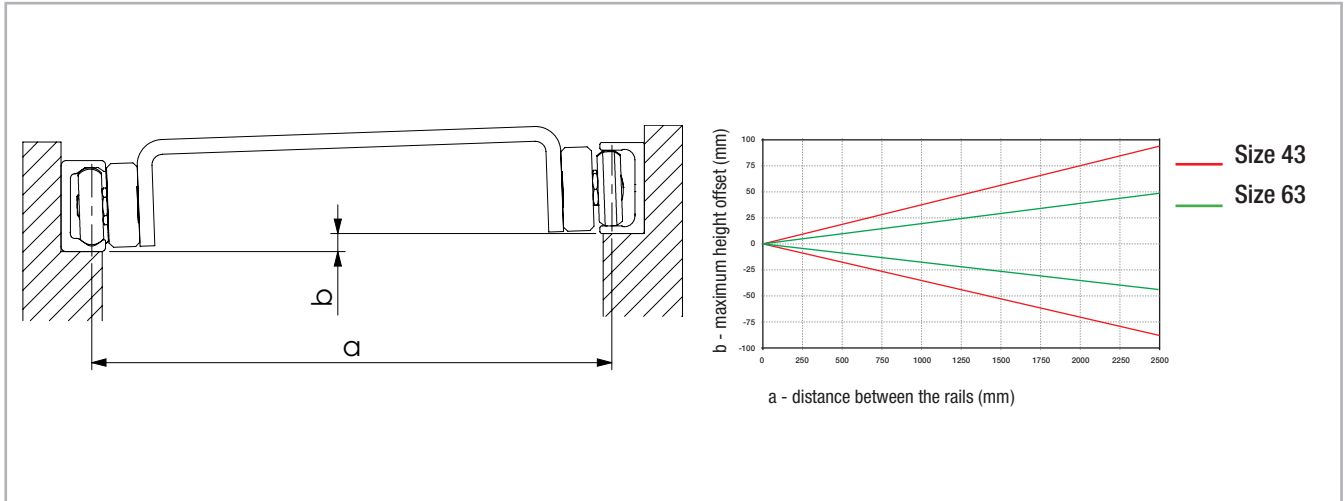


Fig. 139

Even the K+U-system can be used in different arrangements. If the same example as with the T+U-system is observed (see pg. CR-79, fig. 135), this solution, in addition to the prevention of vibrations and moments, also enables the compensation of larger deviations in parallelism in the vertical direction, without negative consequences to the guide. This is particularly important for longer strokes as it is more difficult to obtain a correct vertical parallelism.



Fig. 140

> Preload

Preload classes

The factory installed systems, consisting of rails and sliders, are available in two preload classes:

Standard preload K1 means a rail-slider combination with minimum preload which means the rollers are adjusted free of clearance for optimal running properties.

Usually preload K2 is used for rail-slider systems for increasing the rigidity. When using a system with K2 preload a reduction of the loading capacities and service life must be taken into consideration (see tab. 64).

Preload class	Reduction y
K1	-
K2	0.1

Tab. 64

This coefficient y is used in the calculation formula for checking the static load and lifetime (see pg. CR-101, fig. 177 and pg. CR 105, fig. 194).

The interference is the difference between the contact lines of the rollers and the raceways of the rail.

Preload class	Interference* [mm]	Rail type
K1	0.01	all
K2	0.03	T, U...18
	0.04	T, U...28
	0.05	T, U...35
	0.06	T, U, K...43, T, U, K...63

* Measured on the largest interior dimension between the raceways

Tab. 65

External preload

The unique design of the Compact Rail product family enables applying a partial external preload on selected locations along the entire guide.

An external preload can be applied by pressure along the side surfaces of the guide rail according to the drawing below (see fig. 141). This local preload results in higher rigidity only at the locations where it is necessary (e.g. on reversing points with high dynamic auxiliary forces).

This partial preload increases the service life of the linear guide by

avoiding a continually increased preload over the entire length of the guide. Also the required drive force of the linear carriage in the non-preloaded areas is reduced.

The amount of the externally applied preload is determined using two dial indicators by measuring the deformation of the rail sides. These are deformed by thrust blocks with pressure screws. The external preload must be applied when the slider is not directly located in the pressure zone.

Size	A [mm]
18	40
28	55
35	75
43	80
63	120

Tab. 66

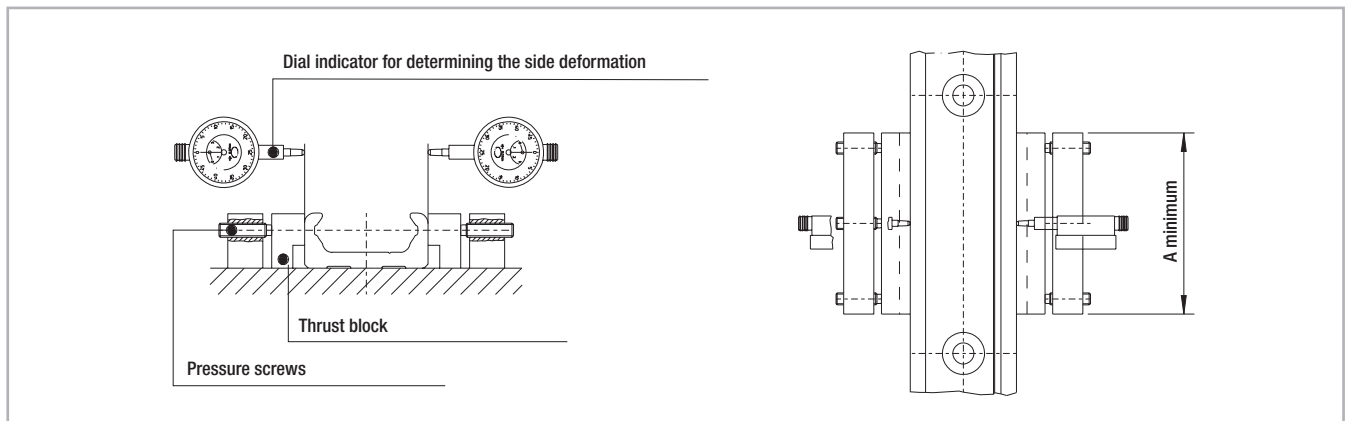


Fig. 141

The graph below indicates the value of the equivalent load as a function of the total deformation of both rail sides. The data relates to sliders with three rollers (see fig. 142).

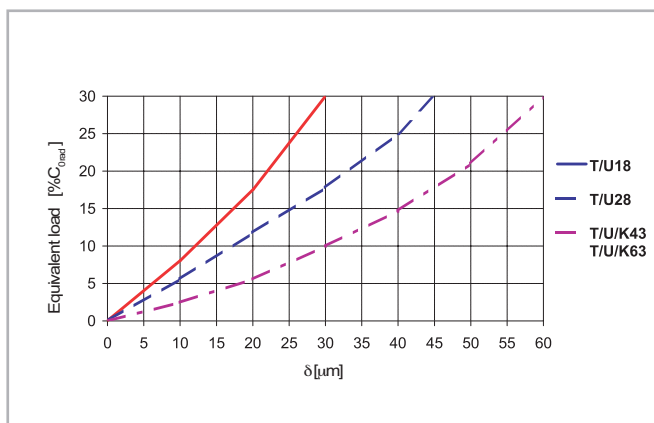


Fig. 142

> Drive force

Frictional resistance

The drive force required for moving the slider is determined by the combined resistance of the rollers, wipers and seals.

The ground raceways and rollers have a minimal coefficient of friction, which remains almost the same in both the static and dynamic state. The wiper and longitudinal seals are designed for an optimum protection of the system, without a significant negative influence on the quality of motion. The overall friction of the Compact Rail also depends on external factors such as lubrication, preload and additional forces. Table 67 below contains the coefficients of friction for each slider type.



Fig. 143

Size	μ Roller friction	μ_w Wiper friction	μ_s Friction of longitudinal seals
18	0.003	$\frac{\ln(m \cdot 1000)^*}{0.98 \cdot m \cdot 1000}$	0.0015
28	0.003	$\frac{\ln(m \cdot 1000)^*}{0.06 \cdot m \cdot 1000}$	$\frac{\ln(m \cdot 1000)^*}{0.15 \cdot m \cdot 1000}$
35	0.005		
43	0.005		
63	0.006		

* Kilograms must be used for load m

Tab. 67

The values given in table 67 apply to external loads, which, with sliders with three rollers, are at least 10 % of the maximum load rating. For calculating the driving force for lower loads, please contact Rollon technical support.

Calculation of drive force

The minimum required drive force for the slider is determined with the coefficients of friction (see tab. 67) and the following formula (see fig. 144):

$$F = (\mu + \mu_w + \mu_s) \cdot m \cdot g$$

$m = \text{mass (kg)}$
 $g = 9.81 \text{ m/s}^2$

Fig. 144

Example calculation:

If a NSW43 slider is used with a radial load of 100 kg, the result is $\mu = 0.005$; from the formula the following is calculated:

$$\mu_s = \frac{\ln(100000)}{0.15 \cdot 100000} = 0.00076$$

$$\mu_w = \frac{\ln(100000)}{0.06 \cdot 100000} = 0.0019$$

Fig. 145

This is the minimum drive force for this example:

$$F = (0.005 + 0.0019 + 0.00076) \cdot 100 \cdot 9.81 = 7.51 \text{ N}$$

Fig. 146

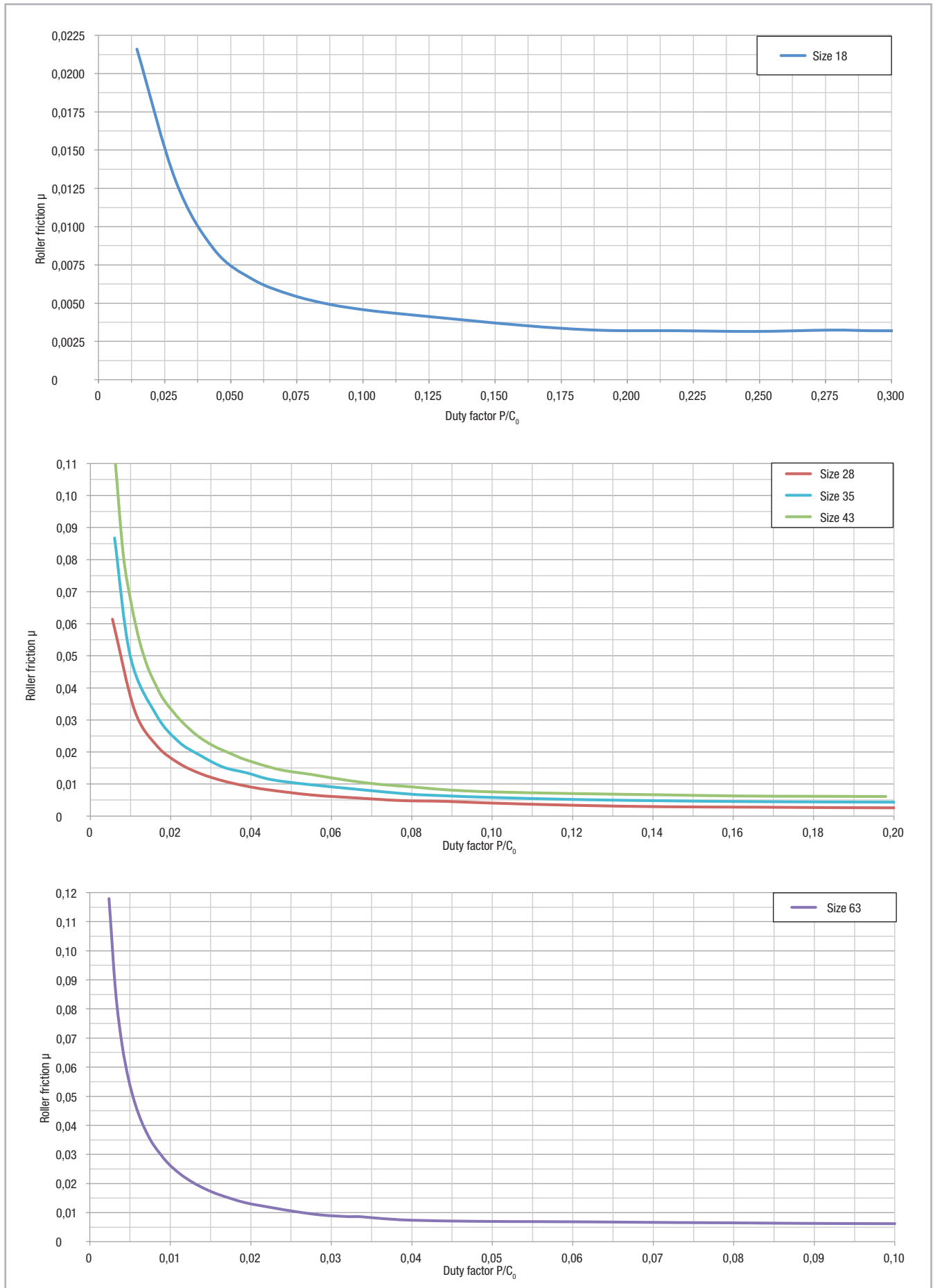


Fig. 147

> Lubrication

Roller pin lubrication

The bearings inside the rollers are lubricated for life. To reach the calculated service life (see pg. CR-105), a film of lubricant should always be

present between the raceway and roller, this also serves to protect against corrosion of the ground raceways.

Lubrication of the raceways

Proper lubrication during normal conditions:

- reduces friction
- reduces wear
- reduces the load of the contact surfaces through elastic deformations
- reduces running noise

> NSW-slider lubrication

The NSW sliders are equipped with wiper heads that include lubricated felts which slowly release oil on the raceways for a long time. The wiper heads can be recharged from the front through a dedicated access hole by means of an oiling syringe.



Fig. 148

The durability of the lubrication delivered by the wiper heads depends on the conditions of use. In the normal clean indoor applications, it is suggested to refill the oil every 0.5 million of cycles, 1000 km or 1 year of use, based on the value reached first. In different conditions, it could be necessary to refill more often, depending on the level of environment criticality. In case of severe dust and dirt conditions, it is suggested to change the entire wiper head with a new one.

When refilling the oil or the substituting the wiper heads, it is recommended to clean the raceways of the guide.

Lubricant	Thickening agent	Temperature range [°C]	Kinematic viscosity 40°C [mm ² /s]
Mineral oil	Lithium soap	-20... to +120	approx 110

Tab. 68

> CSW-slider lubrication

Lubrication when using C-sliders

The CSW series sliders can be provided with wipers made of polyamide to remove contaminants on the raceways. Since the sliders do not have a self-lubrication kit, manual lubrication of the raceways is required. A

guideline is to lubricate the raceways every 100 km or every 6 months. We recommend a roller bearing lubricant with a lithium base of average consistency (see tab. 69).

Lubricant	Thickening agent	Temperature range [°C]	Kinematic viscosity 40°C [mm ² /s]
Roller bearing lubricant	Lithium soap	-20 to +170	approx 160

Tab. 69

Different lubricants are available on request for special applications:

- FDA-approved lubricant for use in the food industry
- specific lubricant for clean rooms

- specific lubricant for the marine technology sector

- specific lubricant for high and low temperatures

For specific information, contact Rollon technical support.

> Corrosion protection

All rails and slider bodies have a standard corrosion protection system by means of electrolytic-zinc plating according to ISO 2081. If increased corrosion protection is required, application-specific surface treatments are available upon request for rails and slider bodies e.g. approved nickel

plated for use in the food industry. In this case, the chosen treatment must be specified in the order for both rails and sliders using the appropriate code shown in the table below. For more information contact Rollon technical support.

Treatment	Characteristics
Zinc Plating ISO 2081	Standard treatment for all sizes of rails and slider bodies, it is ideal for indoor applications. When applied to the rail, it is removed from the raceways by the subsequent grinding process. Zinc-plated sliders are supplied with steel rollers.
Rollon Alloy (Y)	Electrolytic plating with high resistance passivation, ideal for outdoor applications. When applied to the rail, it is removed from the raceways by the subsequent grinding process. Sliders ordered with Rollon Alloy treatment are supplied with stainless steel rollers to further increase the corrosion resistance.
Rollon E-coating (K)	As zinc-plated version with additional electro painting that provides a fine black finishing to the entire rail. When applied to the rail, the slider can partially remove the coating from the raceways on the running contact point after a period of use. Sliders ordered with Rollon E-Coating are supplied with stainless steel rollers to further increase the corrosion resistance.
Nickel Plating (N)	Provides high resistance to chemical corrosion and is ideal for applications in medical or food related environments. When applied to the rail, raceways are coated too. Sliders ordered with Nickel Plating treatment are supplied with stainless steel rollers to further increase the corrosion resistance.

Tab. 70

> Speed and acceleration

The Compact Rail product family is suitable for high operating speeds and accelerations.

Size	Speed [m/s]	Acceleration [m/s ²]
18	3	10
28	5	15
35	6	15
43	7	15
63	9	20

Tab. 71

> Operating temperatures

The temperature range for continuous operation is: -20 °C / +120 °C with occasional peaks up to +150 °C.

Installation instructions

> Fixing holes

V-holes with 90° bevels

The selection of rails with 90° countersunk holes is based on the precise alignment of the threaded holes for installation. Here the complex alignment of the rail to an external reference is omitted, since the rail aligns during installation by the self-centering of the countersunk screws on the existing hole pattern.

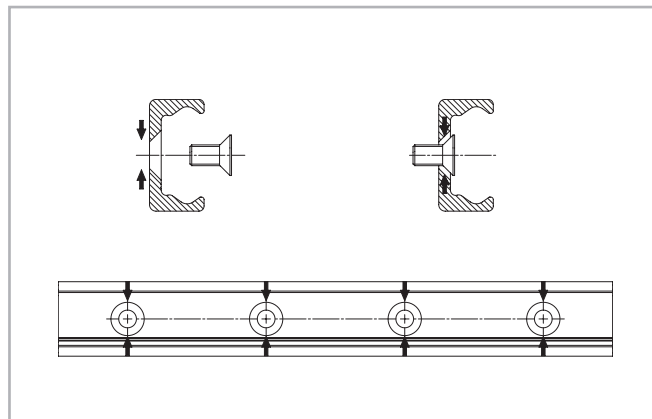


Fig. 149

C-holes with cylindrical counterbore

When a rail with counterbored holes is delivered, the Torx® screws are provided in the right quantity. The cylindrical screw has, as shown, some play in the countersunk fixing hole, so that an optimum alignment of the rail can be achieved during installation (see fig. 150).

The area T is the diameter of the possible offset, in which the screw center point can move during the precise alignment.

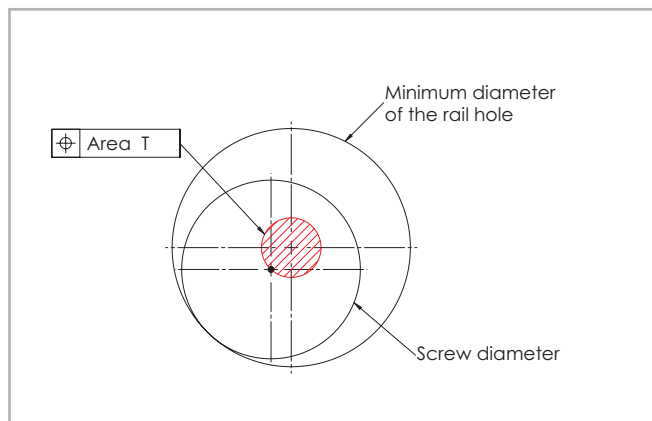


Fig. 150

Rail type	Area T [mm]
TLC18 - ULC18	∅ 1.0
TLC28 - ULC28	∅ 1.0
TLC35 - ULC35	∅ 1.5
TLC43 - ULC43 - KLC43	∅ 2.0
TLC63 - ULC63 - KLC63	∅ 0.5

Tab. 72

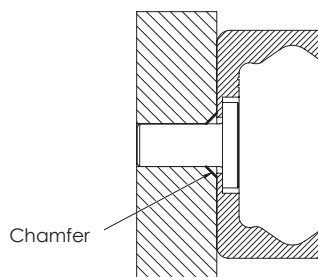
Chamfers

Chamfers must be realized for both C-holes and V-holes rails. The minimum chamfers on the fixing threads are listed on the table below.

Size	Chamfer C-holes [mm]	Chamfer V-holes [mm]
18	0.5 x 45°	0.5 x 45°
28	0.6 x 45°	1 x 45°
35	0.5 x 45°	1 x 45°
43	1 x 45°	1 x 45°
63	0.5 x 45°	1 x 45°

Tab. 73

Example for fixing with Torx® screws (custom design)



Example for fixing with countersunk screws

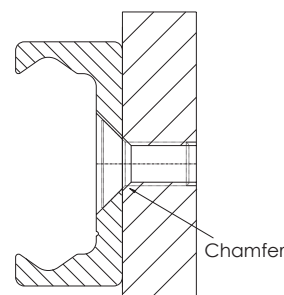


Fig. 151

> Adjusting the sliders

Normally the linear guides are delivered as a system consisting of rail and adjusted sliders. If rail and slider are delivered separately or if the slider is installed in another raceway, the preload must be set again.

Setting the preload:

- (1) Verify that the raceways are clean and take the wipers off to obtain a more sensitive feeling for correct preload setting.
- (2) Insert the slider in the rail. Slightly loosen the fixing screws of the roller pins (no marking) to be adjusted.
- (3) Position the slider on one end of the rail.
- (4) For the U rails there must be a thin support (e.g. set key) under the ends of the slider body to ensure the horizontal alignment of the slider in the flat raceways.
- (5) Insert the included special flat wrench from the side between the rail and the slider. Take care to insert it from one end of the slider, slip it under the lateral sealing and then slide it until the eccentric roller to be adjusted is reached.



Fig. 152

(6) By turning the flat key clockwise, the roller to be adjusted is pressed against the upper track and the slider is then without play. Avoid a preload that is too high. It generates increased wear and reduces the service life.

(7) While holding the correct position of the roller with the adjustment key, the fixing screw can be carefully tightened. The exact tightening torque will be checked later (see fig. 152 and tab. 74).

(8) Move the slider in the rail and check the preload over the entire length of the rail. It should move easily and the slider should not have play at any location of the rail.

(9) For sliders with more than 3 rollers, repeat this process with each eccentric roller. Make sure that all rollers have even contact to the tracks.

(10) Now tighten the fixing screws with the specified tightening torque from the table while the flat key holds the angle adjustment of the pin. A special thread in the roller pin secures the set position.

(11) Ensure proper lubrication of the raceways.

Slider size	Tightening torque [Nm]
18	3
28	7
35	7
43	12
63	35

Tab. 74

> Use of radial ball bearing rollers

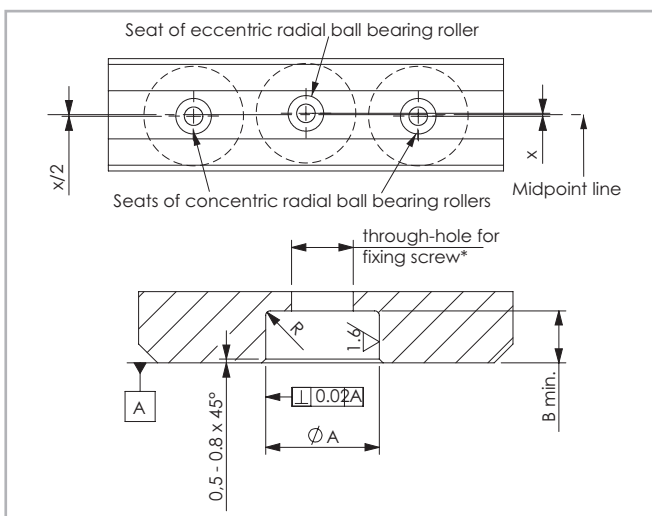


Fig. 153

If purchasing "Radial ball bearing rollers" to install on your own structure (see p. CR-72) we advise:

- Using a maximum of 2 concentric radial ball bearing rollers
- Offset the seats of the concentric radial ball bearing rollers with respect to those of the eccentric radial ball bearing rollers according to the table (tab. 75).

CR-90

Slider size	X [mm]	Ø A [mm]	B min. [mm]	Radius R [mm]
18	0.30	6 + 0.025/+0.01	2.1	0.5
28	0.64	10 + 0.03/+0.01	4.0	0.5
35	0.90	12 + 0.05/+0.02	4.5	0.5
43	0.72	12 + 0.05/+0.02	5.5	1
63	0.55	18 + 0.02/-0.02	7	1

Tab. 75

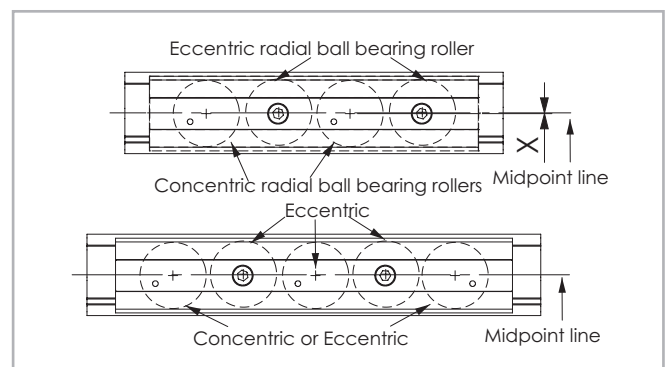


Fig. 154

> Installing the single rail

The T- and K-rails can be installed in two positions relative to the external force. For axial loading of the slider (fig. 155. pos. 2), the load capacity is reduced because of the decline in contact area caused by the change in position. Therefore, the rails should be installed in such a way that the load on the rollers acts in the radial direction (fig. 155, pos. 1). The number of fixing holes in the rail in combination with screws of property class 10.9 is dimensioned in accordance with the load capacity values. For critical applications with vibrations or higher demand for rigidity, a support of the rail (fig. 155, pos. 3) is advantageous.

This reduces deformation of the sides and the load on the screws. The installation of a rail with countersunk holes requires an external reference for alignment. This reference can also be used simultaneously as rail support if required. All information in this section on alignment of the rails, refers to rails with counterbored holes. Rails with countersunk holes self-align using the specified fixing hole pattern (see pg. CR-89, fig. 149).

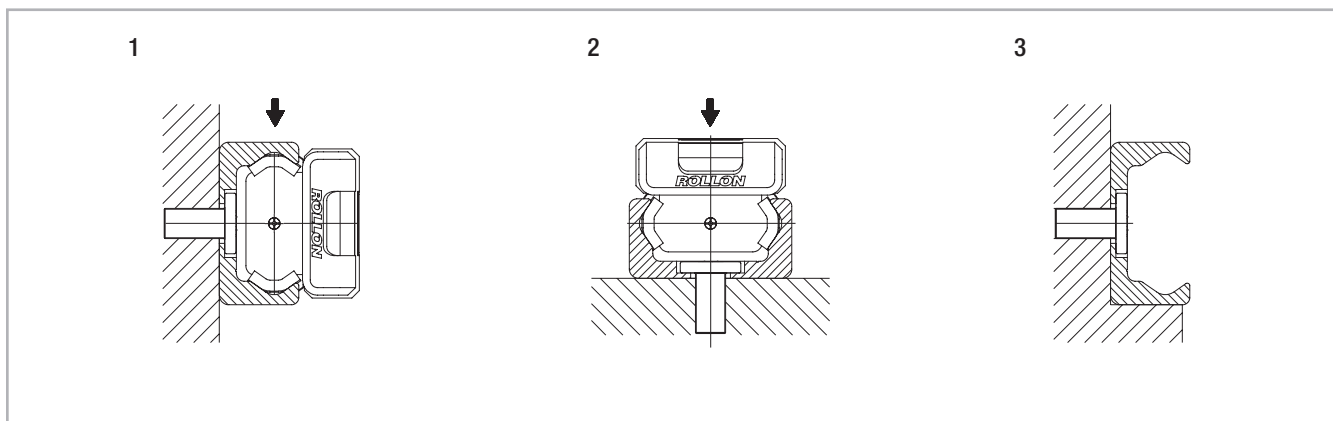


Fig. 155

Rail installation with reference surface as support

- (1) Remove unevenness, burrs and dirt from the support surface.
- (2) Press the rail against the support surface and insert all screws without tightening them.
- (3) Start tightening the fixing screws to the specified torque on one end of the rail while continuing to hold pressure on the rail against the support surface.

Screw type	Torx® tightening torque [Nm]	Countersunk tightening torque [Nm]
M4 (T..., U... 18)	3	3
M5 (T..., U... 28)	9	6
M6 (T..., U... 35)	12	10
M8 (T..., U..., K... 43)	22	25
M8 (T..., U..., K... 63)	35	30

Tab. 76

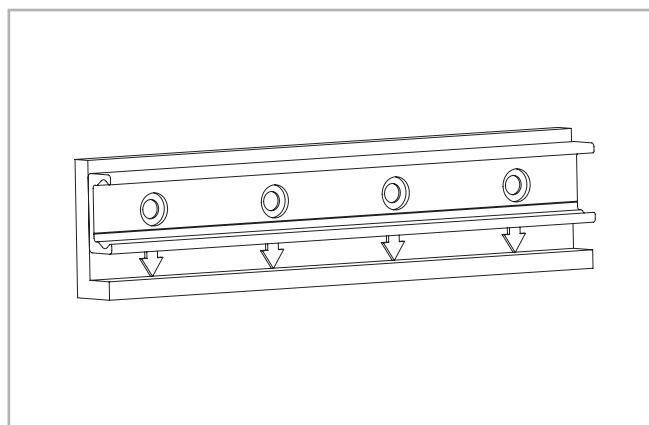


Fig. 156

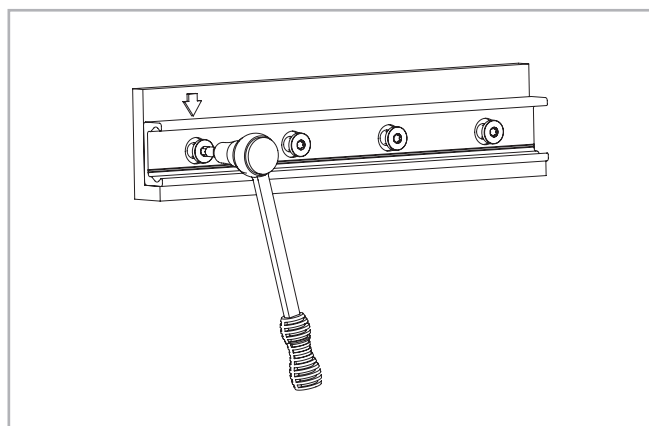


Fig. 157

Rail installation without support

(1) Carefully lay the guide rail with installed slider on the mounting surface and slightly tighten the fixing screws so that the guide rail lightly touches the mounting surface.

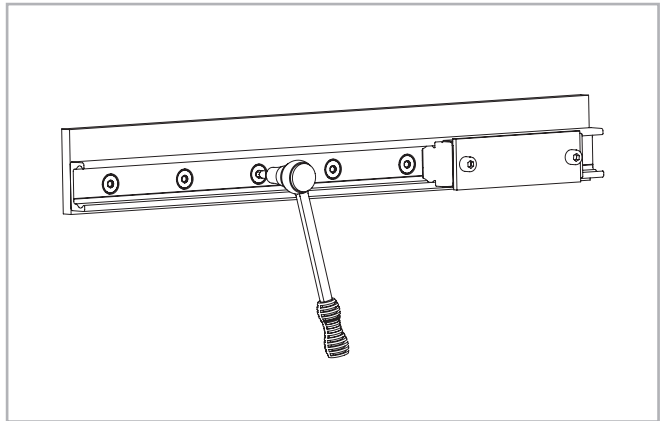


Fig. 158

(2) Install a dial indicator so that the offset of the rail to a reference line can be measured. Now position the slider in the center of the rail and set the dial indicator to zero. Move the slider back and forth between each two hole spacings and carefully align the rail. Fasten the three center screws of this area now with the the specified tightening torque, see pg. fig. 159.
(3) Now position the slider on one end of the rail and carefully align the rail to zero on the dial indicator.

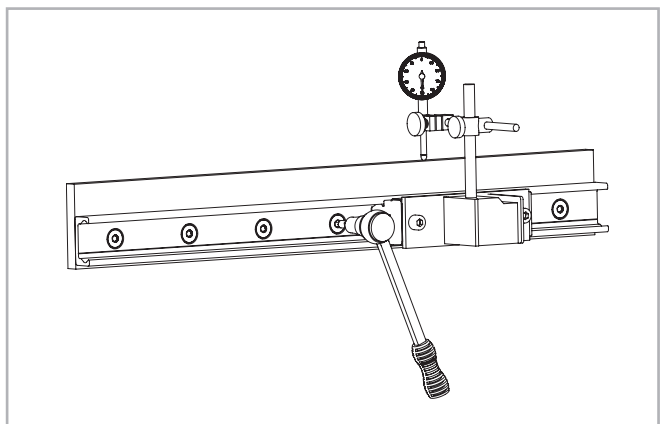


Fig. 159

(4) Begin to tighten the screws as specified while moving the slider together with the dial indicator. Make sure that it does not show any significant deflection. Repeat this procedure from the other end of the rail.

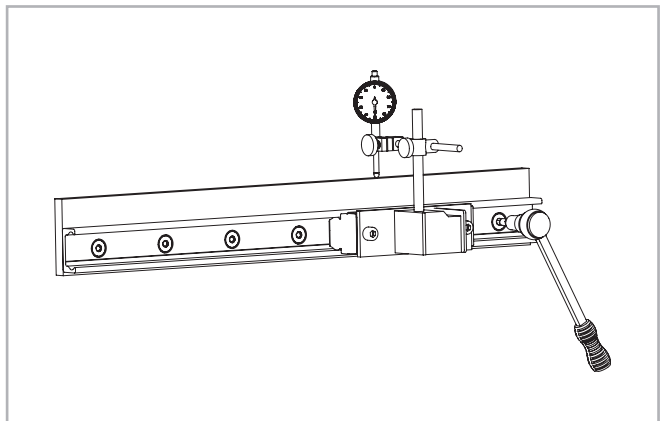


Fig. 160

> Parallel installation of two rails

If two T-rails or a T+U-system are installed, the height difference of the two rails must not exceed a certain value (obtainable from the table below) in order to ensure proper guiding. These maximum values result from the maximum allowable twisting angle of the rollers in the raceways (see tab. 77). These values account for a load capacity reduction of 30% on the T-rail and must absolutely be maintained in every case.

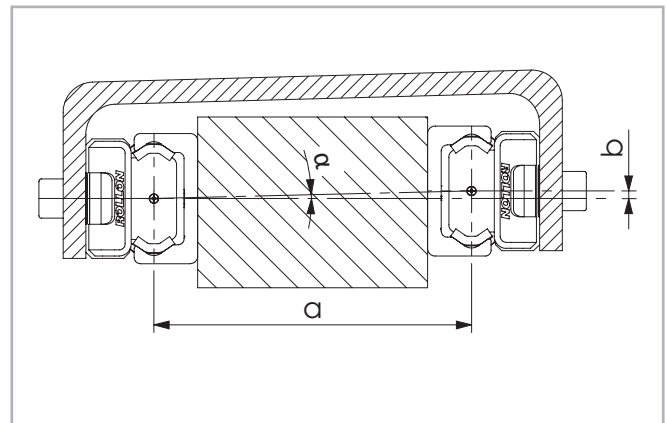


Fig. 161

Size	α
18	1 mrad (0.057°)
28	2.5 mrad (0.143°)
35	2.6 mrad (0.149°)
43	3 mrad (0.171°)
63	5 mrad (0.286°)

Tab. 77

Example:

NSW43: if $a = 500 \text{ mm}$; $b = a \cdot \tan \alpha = 1.5 \text{ mm}$

When using two T-rails, the maximum parallelism deviation must not be exceeded (see tab. 78). Otherwise stresses can occur, which can result in a reduction in load capacity and service life.

Rail size	K1	K2
18	0.03	0.02
28	0.04	0.03
35	0.04	0.03
43	0.05	0.04
63	0.06	0.05

Tab. 78

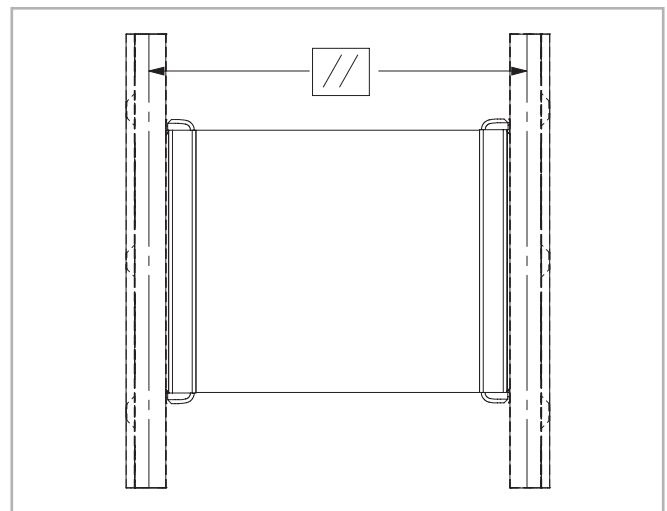


Fig. 162

Note: For parallelism problems, it is recommended to use a T+U or K+U system, since these combinations compensate for inaccuracies (see pg. CR-78 and following).

Parallel installation of two T-rails

(1) Clean chips and dirt from the prepared mounting surfaces and fasten the first rail as described in the section on installation of a single rail.

(2) Fasten the second rail on the ends and the center. Tighten the screws in Position A and measure the distance between the raceways of the two rails.

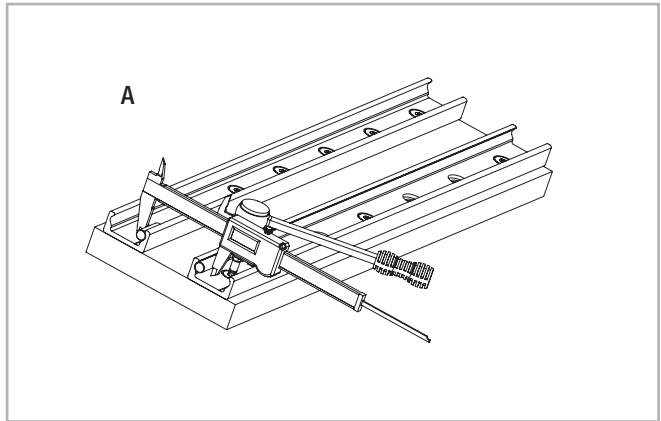


Fig. 163

(3) Fasten the rail in Position B so that the distance between the raceways does not exceed the measured values in Position A while maintaining the tolerances (see pg. CR-93, tab. 78) for parallel rail installation.

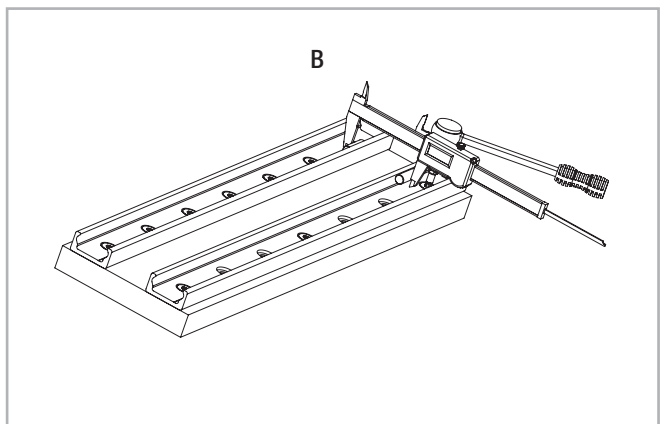


Fig. 164

(4) Fasten the screw in Position C so that the distance of the raceways is as close to an average between the two values from A and B as possible.

(5) Fasten all other screws and check the specified tightening torque of all fixing screws (see pg. CR-91, tab. 76).

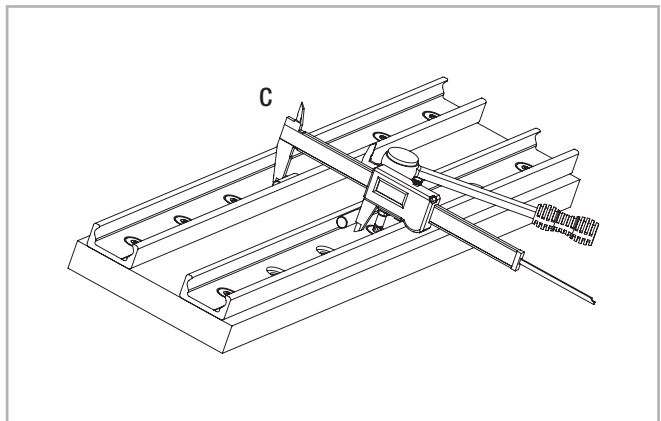


Fig. 165

> Installation of the T+U- or the K+U-system

When using a two-track parallel linear guide we recommend the use of a fixed bearing / compensating bearing system: The combination of T+U-rails for compensation of deviations in parallelism or the K+U-system to compensate for deviations in parallelism in two planes.

Installation steps

(1) For a fixed bearing / compensating bearing system the fixed bearing rail is always installed first. This is then used as a reference for the compensating bearing rail.

Then proceed as described in the section on installation of a single rail (see pg. CR-93).

(2) Install the compensating bearing rail and only tighten the fixing screws slightly.

(3) Insert the sliders in the rails and install the element to be moved, without tightening its screws.

(4) Insert the element in the center of the rails and tighten it, use screws class 10.9.

(5) Tighten the center rail fixing screws to the specified torque (see pg. CR-91, tab. 76).

(6) Move the element to one end of the rail and start tightening the rest of the screws in the direction away from the slider.

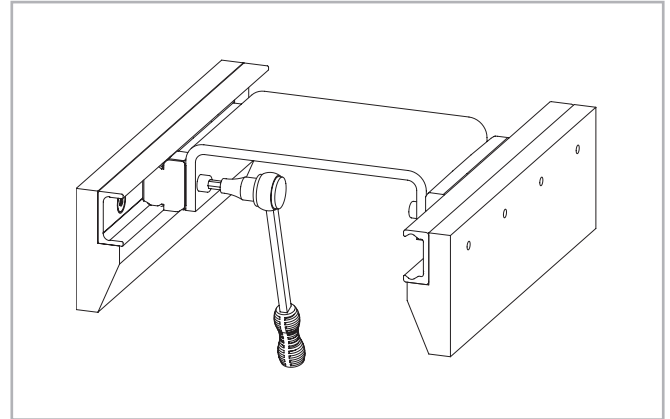


Fig. 166

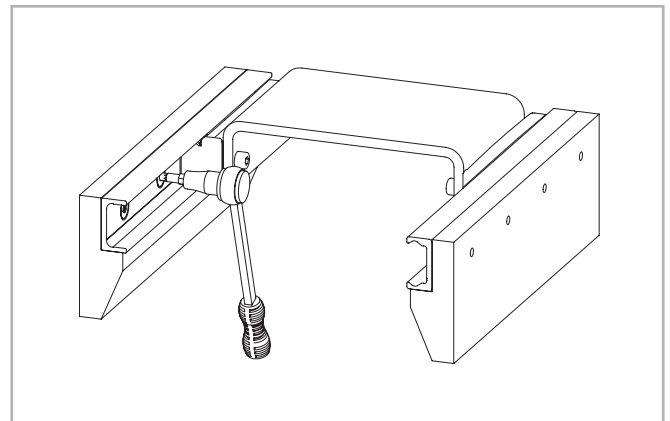


Fig. 167

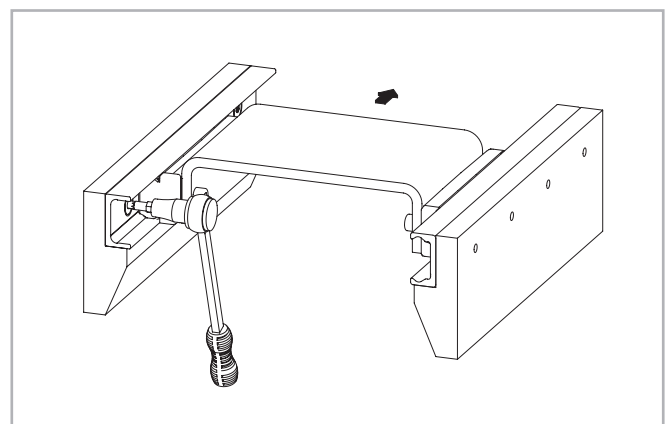


Fig. 168

> Joined Rails

If long guide rails are required, two or more rails can be joined to the desired length. When putting guide rails together, be sure that the register marks shown in fig. 169 are positioned correctly.

For applications with parallel joined guide rails we suggest them to be fabricated asymmetric.

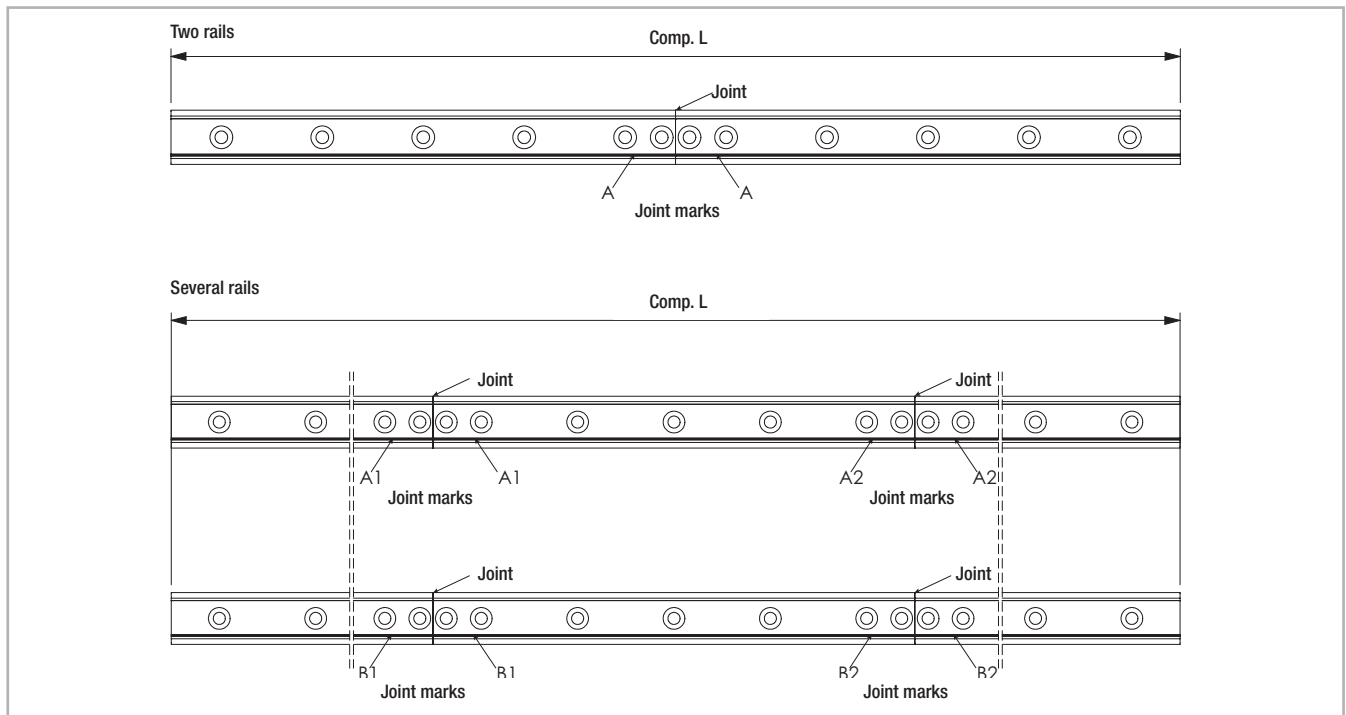


Fig. 169

General information

The maximum available rail length in one piece is indicated in table 40 on page CR-59. Longer lengths are achieved by joining two or more rails (joined rails).

Rollon then machines the rail ends at a right angle to the impact surfaces and marks them. Additional fixing screws are included with the delivery, which ensure a problem-free transition of the slider over the joints, if the following installation procedures are followed. Two additional threaded holes (see fig. 170) are required in the load-bearing structure. The included end fixing screws correspond to the installation screws for the rails for cylindrical counterbores (see pg. CR-89).

The alignment fixture for aligning the rail joint can be ordered using the designation given in the table (see pg. CR-73, tab. 53 and 54).

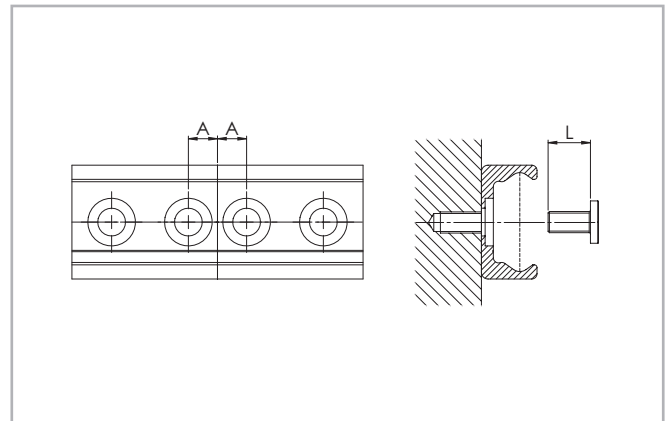


Fig. 170

Rail type	A [mm]	Threaded hole (load-bearing structure)	Screw type	L [mm]	Alignment fixture
T..., U...18	7	M4	see pg. CR-89	8	AT18
T..., U...28	8	M5		10	AT28
T..., U...35	10	M6		13	AT35
T..., U...43	11	M8		16	AT43
T..., U...63	8	M8		20	AT63
K...43	11	M8		16	AK43
K...63	8	M8		20	AK63

Tab. 79

> Installation of joined rails

After the fixing holes for the rails are made in the load-bearing structure, the joined rails can be installed according to the following procedure:

- (1) Fix the individual rails on the mounting surface by tightening all screws except for each last one on the rail joint.
- (2) Install the end fixing screws without tightening them (see fig. 171).

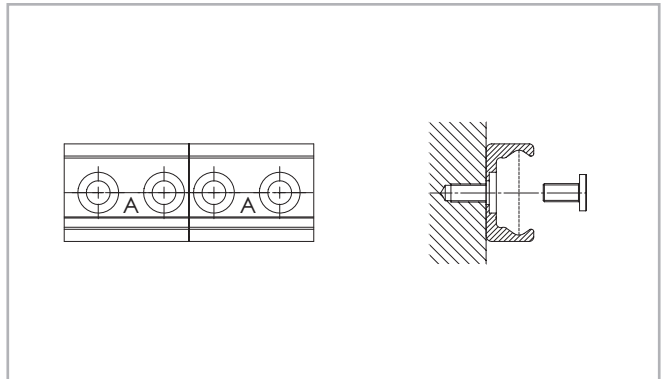


Fig. 171

- (3) Place the alignment fixture on the rail joint and tighten both set screws uniformly, until the raceways are aligned (see fig. 172).
- (4) After the previous step (3) it must be checked if both rail backs lie evenly on the mounting surface. If a gap has formed there, this must be shimmed.

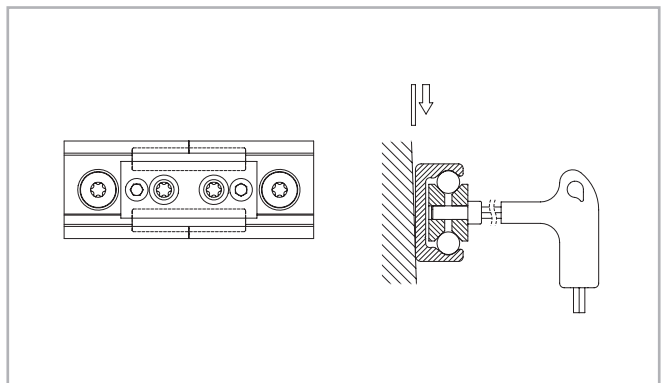


Fig. 172

- (5) The bottom of the rails should be supported in the area of the transition. Here a possible existing gap must be looked for, which must be closed for correct support of the rail ends by shims.

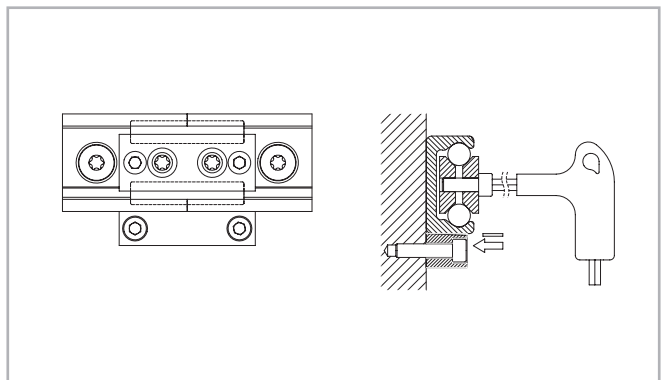


Fig. 173

- (6) Insert the key through the holes in the alignment fixture and tighten the screws on the rail ends.
- (7) For rails with 90° countersunk holes, tighten the remaining screws starting from the rail joint in the direction of the rail center. For rails with cylindrical counter-sunk holes, first adjust the rail to an external reference, then proceed as described above.
- (8) Remove the alignment fixture from the rail.

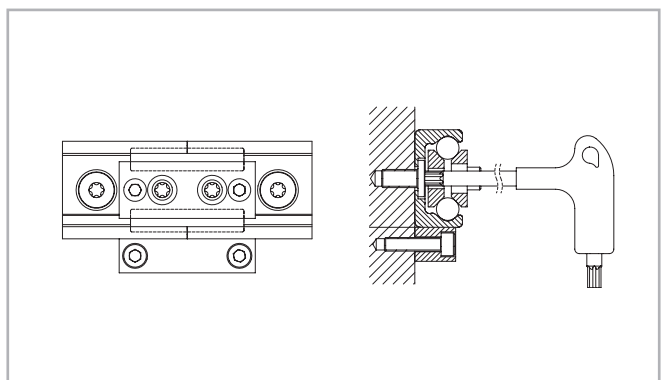


Fig. 174

Ordering key

> Rail / slider system

TLC	4560	/2/	NSW	28	-4	B	-2Z	-N
								Expanded surface protection if deviation from Standard ISO 2081 <i>see pg. CR-88, tab.70</i>
							Roller seal	<i>see pg. CR-72</i>
							Configuration depending on type of slider <i>see pg. CR-60 and CR-67</i>	
							Number of rollers	<i>see pg. CR-60 and CR-67</i>
							Size	<i>see pg. CR-60 and CR-67</i>
							Slider type	<i>see pg. CR-60 and CR-67</i>
							Number of sliders in one rail	
							Rail length in mm	<i>see pg. CR-59, tab. 40</i>
							Rail type <i>see pg. CR-59, tab. 39</i>	

Ordering example: TLC-04560/2/NSW28-4B-2Z-N

Rail composition: 1x3280+1x1280 (only for joint processed rails)

Hole pattern: 40-40x80-40//40-15x80-40 (please always specify the hole pattern separately)

Notes on ordering: The rail length codes are always 5 digits, the slider length codes are always 3 digits; use zeroes as a prefix when lengths are shorter

> Rail

TLV	-43	-5680	-N
			Expanded surface protection if deviation from Standard ISO 2081 <i>see pg. CR-88, tab.70</i>
			Rail length in mm <i>see pg. CR-59, tab. 40</i>
			Size <i>see pg. CR-59, tab. 39</i>
			Rail type <i>see pg. CR-59, tab. 39</i>

Ordering example: TLV-43-05680-N

Rail composition: 1x880+2x2400 (only for joint processed rails)

Hole pattern: 40-10x80-40//40-29x80-40//40-29x80-40 (please always specify the hole pattern separately)

Notes on ordering: The rail length codes are always 5 digits; use zeroes as a prefix when lengths are shorter

> **Slider**

NSW	28	-4	B	-2RS	-N	
						Expanded surface protection if deviation from Standard ISO 2081 <i>see pg. CR-88, tab.70</i>
				Roller seal		<i>see pg. CR-72</i>
					Configuration depending on type of slider	<i>see pg. CR-60 and CR-67</i>
					Number of rollers	<i>see pg. CR-60 and CR-67</i>
					Size	<i>see pg. CR-60 and CR-67</i>
					Slider type	<i>see pg. CR-60 and CR-67</i>

Ordering example: NSW28-4B-2RS-N

Notes on ordering: The slider length codes are always 3 digits; use zeroes as a prefix when lengths are shorter

> **Wipers**

ZK-WNS	28	
	Size	<i>see pg. CR-60 and CR-67</i>
	Wiper type	<i>see pg. CR-73, fig. 121, fig.122</i>

Ordering example: ZK-WNS28

Note on ordering: every kit contains a pair of wipers. Two wipers per slider are always required.

Calculation formulas

> Static load

The radial load capacity rating, C_{Orad} the axial load capacity rating C_{Oax} , and moments M_x, M_y, M_z indicate the maximum permissible values of the load (see from pg. CR-8 to CR-10 and CR-54, CR-57), higher loads will have a detrimental effect on the running quality. A safety factor, S_0 , is used to check the static load, which takes into account the basic parameters of the application and is defined more in detail in the following table:

Safety factor S_0

No shock nor vibration, smooth and low-frequency reverse, high assembly accuracy, no elastic deformations	1 - 1.5
Normal installation conditions	1.5 - 2
Shock and vibration, high-frequency reverse, significant elastic deformation	2 - 3.5

Fig. 175

The ratio of the actual load to maximum permissible load may be as large as the reciprocal of the accepted safety factor, S_0 , at the most.

$\frac{P_{Orad}}{C_{Orad}} \leq \frac{1}{S_0}$	$\frac{P_{Oax}}{C_{Oax}} \leq \frac{1}{S_0}$	$\frac{M_1}{M_x} \leq \frac{1}{S_0}$	$\frac{M_2}{M_y} \leq \frac{1}{S_0}$	$\frac{M_3}{M_z} \leq \frac{1}{S_0}$
--	--	--------------------------------------	--------------------------------------	--------------------------------------

Fig. 176

The above formulas are valid for a single load case.

If two or more forces are acting simultaneously, please check the following formula:

$\frac{P_{Orad}}{C_{Orad}} + \frac{P_{Oax}}{C_{Oax}} + \frac{M_1}{M_x} + \frac{M_2}{M_y} + \frac{M_3}{M_z} + y \leq \frac{1}{S_0}$	<ul style="list-style-type: none"> P_{Orad} = effective radial load (N) C_{Orad} = permissible radial load (N) P_{Oax} = effective axial load (N) C_{Oax} = permissible axial load (N) M_1, M_2, M_3 = external moments (Nm) M_x, M_y, M_z = maximum permissible moments in the different loading directions (Nm) y = reduction due to preload (see pg. CR-29, Tab. 20 or pg. CR-83, Tab. 64)
--	---

Fig. 177

The safety factor S_0 can lie on the lower given limit if the occurring forces can be determined with sufficient precision. If shock and vibration are

present, the higher value should be selected. For dynamic applications higher safety is required. Please contact Rollon technical support.

> **Slider load**

Examples of formulas for determining the forces on the most heavily loaded slider

For an explanation of the parameters in the formulas see pg. CR-104, fig. 192

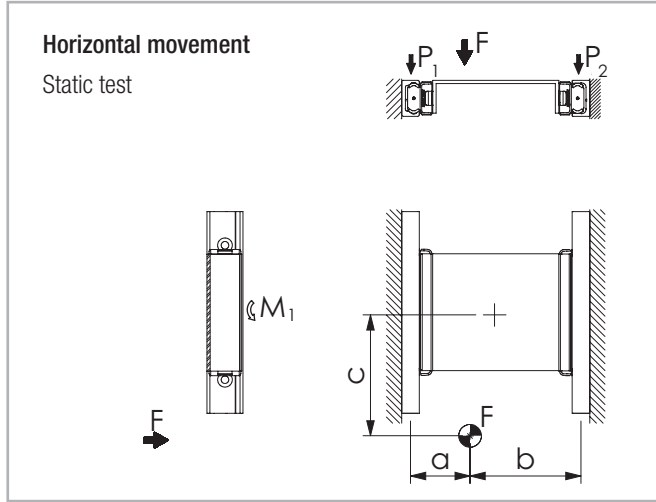


Fig. 178

Slider load:

$$P_1 = F \cdot \frac{b}{a+b}$$

$$P_2 = F - P_1$$

in addition each slider is loaded by a moment:

$$M_1 = \frac{F}{2} \cdot c$$

Fig. 181

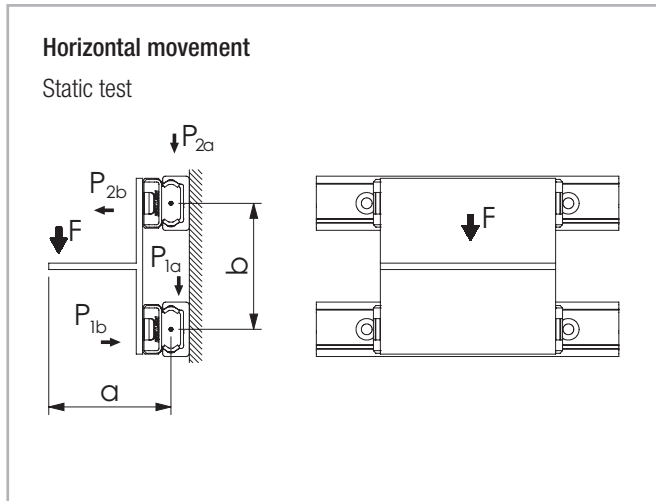


Fig. 179

Slider load:

$$P_{1a} \cong P_{2a} = \frac{F}{2}$$

$$P_{2b} \cong P_{1b} = F \cdot \frac{a}{b}$$

Fig. 182

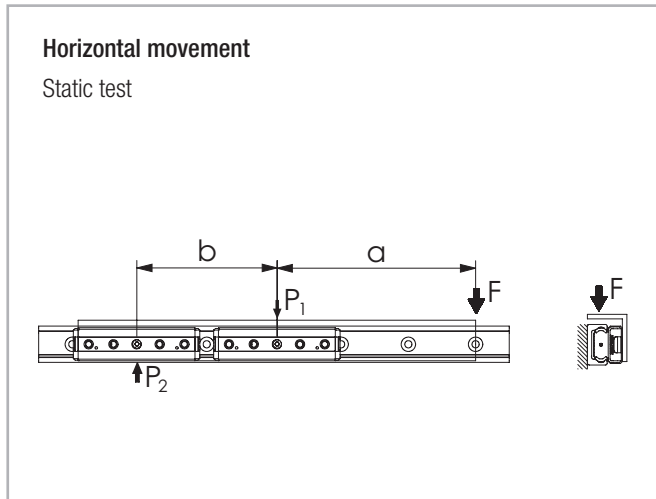


Fig. 180

Slider load:

$$P_2 = F \cdot \frac{a}{b}$$

$$P_1 = P_2 + F$$

Fig. 183

Note: Applies only if the distance between centers of the sliders $b > 2x$ slider length

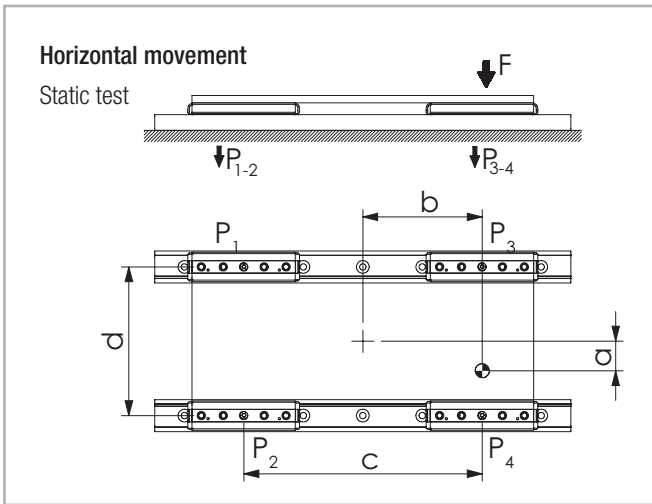


Fig. 184

Note: It is defined that slider no. 4 is always located closest to the point where the force is applied.

Slider load:

$$P_1 = \frac{F}{4} - \left(\frac{F}{2} \cdot \frac{b}{c}\right) - \left(\frac{F}{2} \cdot \frac{a}{d}\right)$$

$$P_2 = \frac{F}{4} - \left(\frac{F}{2} \cdot \frac{b}{c}\right) + \left(\frac{F}{2} \cdot \frac{a}{d}\right)$$

$$P_3 = \frac{F}{4} + \left(\frac{F}{2} \cdot \frac{b}{c}\right) - \left(\frac{F}{2} \cdot \frac{a}{d}\right)$$

$$P_4 = \frac{F}{4} + \left(\frac{F}{2} \cdot \frac{b}{c}\right) + \left(\frac{F}{2} \cdot \frac{a}{d}\right)$$

Fig. 187

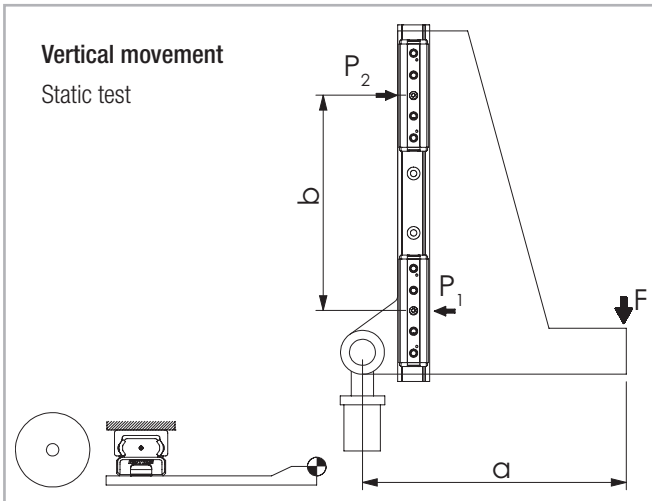


Fig. 185

Slider load:

$$P_1 \cong P_2 = F \cdot \frac{a}{b}$$

Fig. 188

Note: Applies only if the distance between centers of the sliders $b > 2x$ slider length

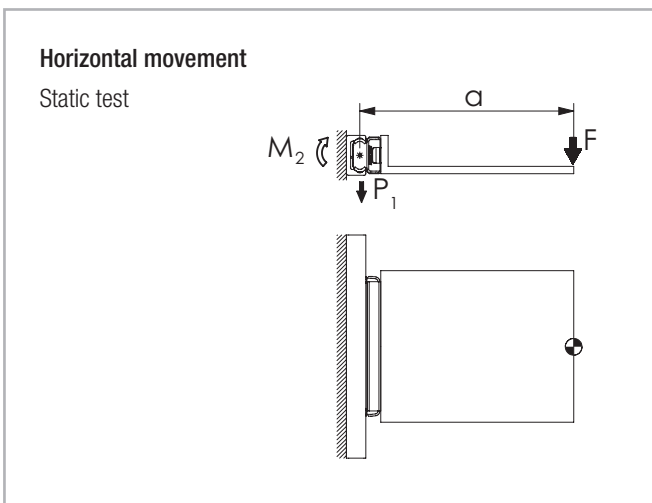


Fig. 186

Slider load:

$$P_1 = F$$

$$M_2 = F \cdot a$$

Fig. 189

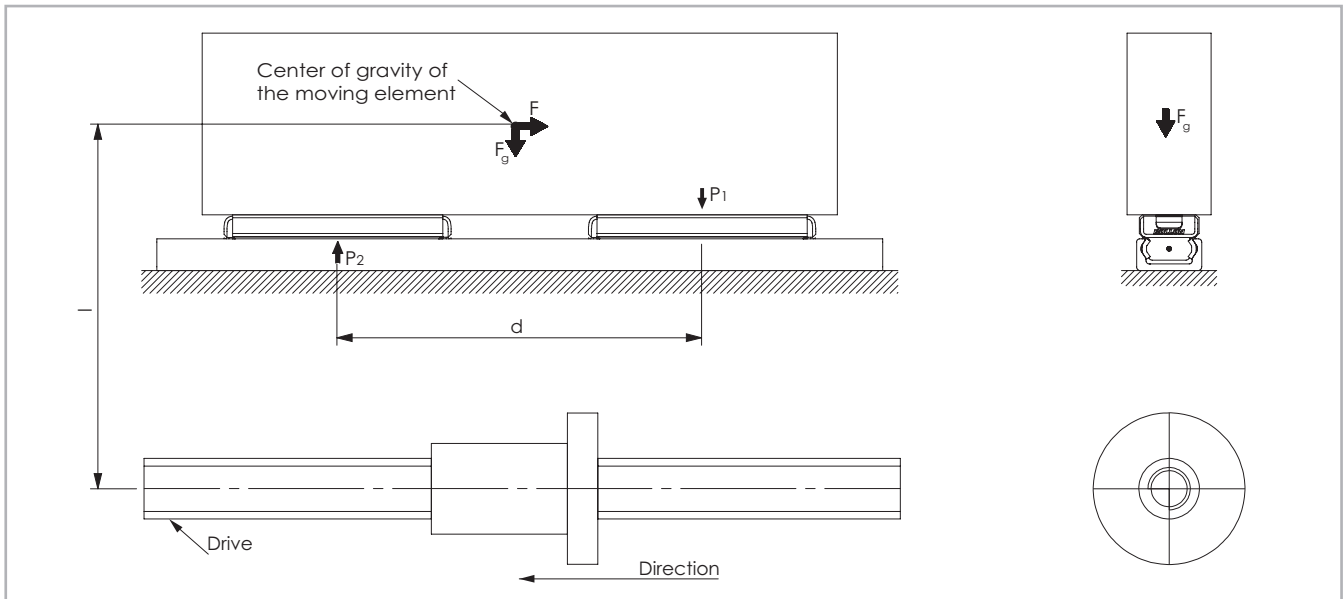


Fig. 190

Horizontal movement

Test with a moving element of the weight-force F_g at the instant the direction of movement changes

Inertial force	Slider load at time of reverse	
$F = m \cdot a$	$P_1 = \frac{F \cdot l}{d} + \frac{F_g}{2}$	$P_2 = \frac{F_g}{2} - \frac{F \cdot l}{d}$

Fig. 191

Explanation of the calculation formula

- F = effective force (N)
- F_g = weight-force (N)
- P_1, P_2, P_3, P_4 = effective load on the slider (N)
- M_1, M_2 = effective moment (Nm)
- m = mass (kg)
- a = acceleration (m/s^2)

Fig. 192

> Service life

The dynamic load capacity C is a conventional variable used for calculating the service life. This load corresponds to a nominal service life of 100 km. For values of the individual slider see from pg. CR-8 to CR-10 and CR-54, CR-57. The following formula (see fig. 193) links the calculated theoretical service life to the dynamic load capacity and the equivalent load:

$$L_{km} = 100 \cdot \left(\frac{C}{P} \cdot \frac{f_c}{f_i} \cdot f_h \right)^3$$

L_{km} = theoretical service life (km)
 C = dynamic load capacity (N)
 P = effective equivalent load (N)
 f_c = contact factor
 f_i = application coefficient
 f_h = stroke factor

Fig. 193

The equivalent load P corresponds in its effects to the sum of the forces and moments working simultaneously on a slider. If these different load components are known, P results as follows:

$$P = P_r + \left(\frac{P_a}{C_{0ax}} + \frac{M_1}{M_x} + \frac{M_2}{M_y} + \frac{M_3}{M_z} + y \right) \cdot C_{0rad}$$

y = reduction due to preload
 (see pg. CR-29, Tab. 20 or pg. CR-83, Tab. 64)

Fig. 194

Here the external loads are assumed as constant in time. Brief loads, which do not exceed the maximum load capacities, do not have any relevant effect on the service life and can therefore be neglected.

The contact factor f_c refers to applications in which several sliders pass the same rail section. If two or more sliders move over the same point of a rail, the contact factor according to table 80 to be taken into account in the formula for calculation of the service life.

Number of sliders	1	2	3	4
f_c	1	0.8	0.7	0.63

Tab. 80

The application coefficient f_i takes into account the operational conditions in the service life calculation. It has a similar significance to the safety factor S_0 in the static load test. It is calculated as described in the following table:

f_i	
Neither shocks nor vibrations, smooth and low-frequency direction change; clean operating conditions; low speeds (<1 m/s)	1 - 1.5
Slight vibrations, average speeds (1 - 2.5 m/s) and average frequency of direction change	1.5 - 2
Shocks and vibrations, high speeds (> 2.5 m/s) and high-frequency direction change; extreme dirt contamination	2 - 3.5

Tab. 81

The stroke factor f_h takes into account the higher load of the raceways and rollers during short strokes on the same total length of run. The corresponding values are taken from the following graph (for strokes longer than 1 m, $f_h = 1$):

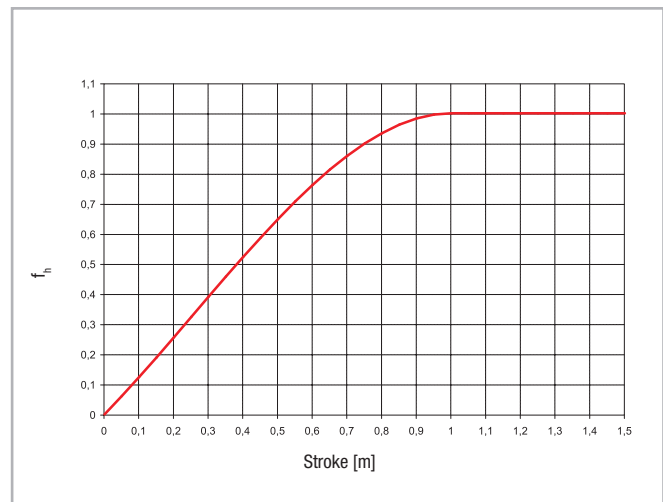


Fig. 195



Follow us:



● Rollon Branches & Rep. Offices
● Distributors

EUROPE

ROLLON S.p.A. - ITALY (Headquarters)



Via Trieste 26
I-20871 Vimercate (MB)
Phone: (+39) 039 62 59 1
www.rollon.it - infocom@rollon.it

ROLLON GmbH - GERMANY



Bonner Strasse 317-319
D-40589 Düsseldorf
Phone: (+49) 211 95 747 0
www.rollon.de - info@rollon.de

ROLLON S.A.R.L. - FRANCE



Les Jardins d'Eole, 2 allée des Séquoias
F-69760 Limonest
Phone: (+33) (0) 4 74 71 93 30
www.rollon.fr - infocom@rollon.fr

ROLLON S.p.A. - RUSSIA (Rep. Office)



117105, Moscow, Varshavskoye
shosse 17, building 1
Phone: +7 (495) 508-10-70
www.rollon.ru - info@rollon.ru

ROLLON Ltd - UK (Rep. Office)



The Works 6 West Street Olney
Buckinghamshire, United Kingdom, MK46 5 HR
Phone: +44 (0) 1234964024
www.rollon.uk.com - info@rollon.uk.com

AMERICA

ROLLON Corporation - USA



101 Bilby Road. Suite B
Hackettstown, NJ 07840
Phone: (+1) 973 300 5492
www.rollon.com - info@rolloncorp.com

ROLLON - SOUTH AMERICA



101 Bilby Road. Suite B
Hackettstown, NJ 07840
Phone: (+1) 973 300 5492
www.rollon.com - info@rolloncorp.com

ASIA

ROLLON Ltd - CHINA



No. 1155 Pang Jin Road,
China, Suzhou, 215200
Phone: +86 0512 6392 1625
www.rollon.cn.com - info@rollon.cn.com

ROLLON India Pvt. Ltd. - INDIA



1st floor, Regus Gem Business Centre, 26/1
Hosur Road, Bommanahalli, Bangalore 560068
Phone: (+91) 80 67027066
www.rollonindia.in - info@rollonindia.in

ROLLON - JAPAN



3F Shiodome Building, 1-2-20 Kaigan, Minato-ku,
Tokyo 105-0022 Japan
Phone +81 3 6721 8487
www.rollon.jp - info@rollon.jp

Consult the other ranges of products



Distributor

BIBUS®

SUPPORTING YOUR SUCCESS

BIBUS Endüstriyel A.Ş.

İkitelli OSB Bedrettin Dalan Bulvarı Vip Plaza
Kat:2 No: 4344 / 34490 Başakşehir/İSTANBUL
Tel.: 444 20 38
Fax: +90 212 249 88 34
www.bibus.com.tr
info@bibus.com.tr

All addresses of our global sales partners can also be found at www.rollon.com

The content of this document and its use are subject to the general terms of sale of ROLLON available on the web site www.rollon.com
Changes and errors expected. The text and images may be used only with our permission.