

HANDLES, KNOBS & SCREW CLAMPS



Fluted Knobs



Four-Prong Knobs & Screw Clamps



Three-Prong Knobs



T-Handle Knobs



Bar-Handle Knobs & Screw Clamps



Knurled Knobs & Screw Clamps



Socket-Head Screw Clamps



Feet for Swivel Screws



Latch Screws



Hand Wheels



Solid Handles



Revolving Handles



Lever Handles & Crank Handles



Adjustable Lever Handles



Knob Handles

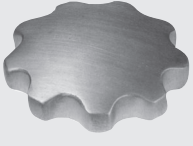








Pull Handles

HAND KNOBS








TYPES

3

		MADE IN THE USA	ALUMINUM	STEEL	CAST IRON	STAINLESS STEEL	PLASTIC
	PALM-GRIP HAND KNOBS Polished full-grip hand knob. Choose from two sizes, each available blank, tapped, or reamed.	X	X				
	FLUTED KNOBS Large easy-grip knob that is excellent for either fine adjustment or high-torque applications.	X					X
	STAR KNOBS Five lobes provide a firm, sure grip for applications requiring quick tightening and high torque.	X					X
	HAND KNOBS – CAST IRON Classic easy-to-grip clamping knob. Choose from five sizes, each available blank, tapped, tapped through, or reamed.	X			X		
	HAND KNOBS – ALUMINUM Classic easy-to-grip clamping knob. Choose from five sizes, each available blank, tapped, tapped through, or reamed.	X	X				
	HAND KNOBS – STAINLESS STEEL High-quality beautiful polished finish. Four-prong design provides a firm grip for applications requiring quick tightening and high torque.					X	
	HAND KNOB ASSEMBLIES Classic, easy-to-grip aluminum knob with an integral steel clamping screw.	X	X				

HAND KNOBS

TYPES

		MADE IN THE USA	ALUMINUM	STEEL	CAST IRON	STAINLESS STEEL	PLASTIC
	SWIVEL-WASHER HAND KNOB ASSEMBLIES Hand-knob assembly with a captive, freely rotating washer to prevent marring in clamping applications. Now available with a choice of steel or nylon washer.	X	X				
	KNOB SHOE ASSEMBLIES Features an integral steel clamping screw with a removable swivel foot. Uses our patented left-hand-thread swivel foot system.	X	X				
	FOUR PRONG KNOBS Design provides a strong grip for clamping and other applications requiring quick tightening and high torque.	X					X
	QUICK-ACTING KNOBS Slides in and out of clamping position quickly; ideal when the knob must be completely removed for loading.	X			X		
	BAR KNOBS Heavy-duty knob that can be turned easily by hand, then tightened by inserting a bar between the prongs.	X				X	
	THREE-PRONG KNOBS Modern design provides quick tightening and high torque. Textured non-slip, non-glare finish.	X					X
	T-HANDLE KNOBS Provides maximum leverage for heavy-duty clamping.	X					

PALM-GRIP HAND KNOBS

319 ALUMINUM ALLOY

3

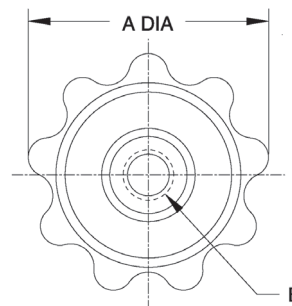
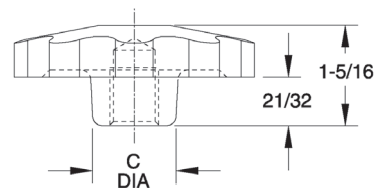


1/2-13
5/8-11
M12
M16



3/8-16
1/2-13
M10
M12

Polished full-grip hand knob. Choose from two knob sizes, each available blank, tapped or reamed.



Blank



Tapped



Reamed

INCH & METRIC

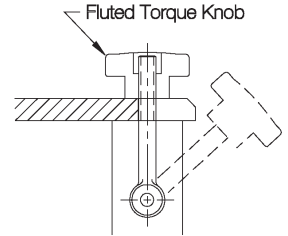
PART NO.	A DIA	C DIA	HOLE TYPE	B		
CL-11-PHK	2-3/4	1	BLANK	—		
CL-13-PHK			TAPPED	3/8-16 X 3/4 DEEP		
CL-14-PHK				1/2-13 X 3/4 DEEP		
CLM-13-PHK				M10 X 3/4 DEEP		
CLM-14-PHK				M12 X 3/4 DEEP		
CL-12-PHK				3/8 X 7/8 DEEP		
CL-15-PHK				1/2 X 7/8 DEEP		
CLM-12-PHK			REAMED	10mm X 7/8 DEEP		
CLM-15-PHK				12mm X 7/8 DEEP		
CL-21-PHK				—		
CL-23-PHK			3-1/8	1	BLANK	—
CL-24-PHK					TAPPED	1/2-13 X 3/4 DEEP
CLM-23-PHK	5/8-11 X 3/4 DEEP					
CLM-24-PHK	M12 X 3/4 DEEP					
CL-22-PHK	M16 X 3/4 DEEP					
CL-25-PHK	1/2 X 7/8 DEEP					
CLM-22-PHK	5/8 X 1 DEEP					
CLM-25-PHK	REAMED	12mm X 7/8 DEEP				
		16mm X 1 DEEP				

FLUTED KNOBS

BLACK PHENOLIC PLASTIC OR THERMOPLASTIC WITH BRASS INSERT



Large easy-grip knob that is excellent for either fine-adjustment or high-torque applications. Molded-in brass insert provides superior thread strength. Choice of four knob sizes. Non-standard thread sizes, reamed holes, or molded-in studs are available in quantities of 500 and above.



3

Phenolic — Tapped Through Hole

1/2-13 CL-88-PFK
5/8-11 CL-810-PFK



3/8-16 CL-66-PFK
1/2-13 CL-68-PFK
M12 CLM-612-PFK



3/8-16 CL-660-PFK

Phenolic — Tapped Short Hub



3/8-16 CL-666-PFK



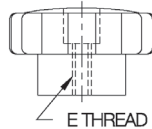
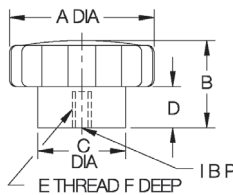
3/8-16 CL-466-PFK



1/4-20 CL-44-PFK
5/16-18 CL-45-PFK
3/8-16 CL-46-PFK
M8 CLM-48-PFK
M10 CLM-410-PFK



5/16-18 CL-450-PFK



#10-32 CL-23-PFK
1/4-20 CL-24-PFK
5/16-18 CL-25-PFK
M6 CLM-26-PFK

PHENOLIC — TAPPED (INCH & METRIC)

PART NO.	A DIA	B	C DIA	D	E	F
CL-23-PFK	1-3/8	27/32	27/32	25/64	#10-32	5/16
CL-24-PFK					1/4-20	7/16
CL-25-PFK					5/16-18	
CLM-26-PFK					M6	
CL-44-PFK	1-3/4	1-1/16	1-1/16	1/2	1/4-20	1/2
CL-45-PFK					5/16-18	
CL-46-PFK					3/8-16	
CLM-48-PFK					M8	7/16
CLM-410-PFK					M10	
CL-66-PFK	2-3/8	1-5/16	1-1/4	5/8	3/8-16	1/2
CL-68-PFK					1/2-13	5/8
CLM-612-PFK					M12	
CL-88-PFK					1/2-13	
CL-810-PFK	3-1/4	1-25/32	2	7/8	5/8-11	3/4

PHENOLIC — TAPPED THROUGH HOLE (INCH)

CL-450-PFK	1-3/4	61/64	1-1/16	1/2	5/16-18	5/8
CL-660-PFK	2-3/8	1-9/32	1-1/4	5/8	3/8-16	5/8

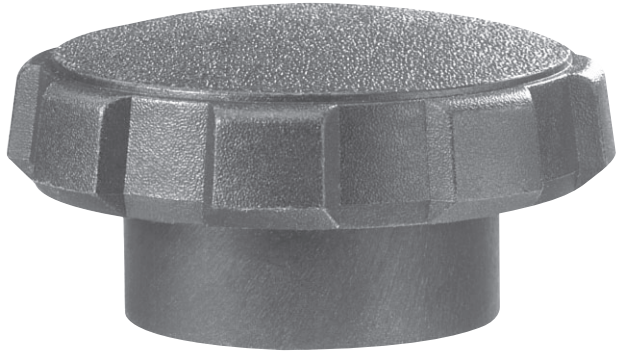
PHENOLIC — TAPPED, SHORT HUB (INCH)

CL-466-PFK	1-3/4	11/16	3/4	1/8	3/8-16	3/8
CL-666-PFK	2-3/8	13/16	3/4	1/8	3/8-16	1/2

FLUTED KNOBS

BLACK THERMOPLASTIC OR PHENOLIC PLASTIC WITH BRASS INSERT

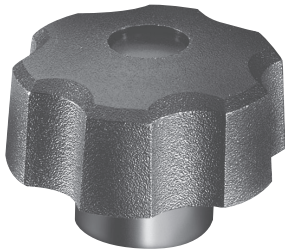
Thermoplastic — Tapped



5/16-18 CL-750-PFK
3/8-16 CL-760-PFK



5/16-18 CL-550-PFK
3/8-16 CL-560-PFK



1/4-20 CL-340-PFK
5/16-18 CL-350-PFK

Thermoplastic version of the Fluted Knobs with a textured non-slip, non-glare finish. Choice of three knob sizes. Molded-in brass insert provides superior thread strength. Non-standard thread sizes, reamed holes, molded-in studs, or special colors are available in quantities of 500 and above.

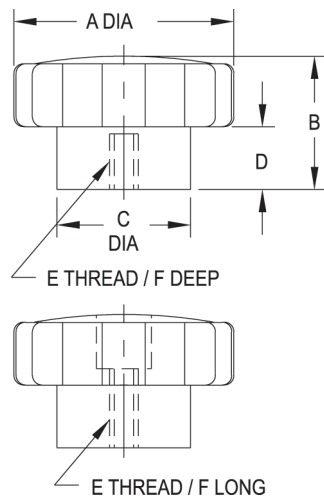
Thermoplastic — Tapped Through Hole



5/16-18 CL-551-PFK
3/8-16 CL-561-PFK



1/4-20 CL-341-PFK
5/16-18 CL-351-PFK



THERMOPLASTIC — TAPPED

PART NO.	A DIA	B	C DIA	D	E	F
CL-340-PFK	1-1/2	1	3/4	3/8	1/4-20	5/8
CL-350-PFK					5/16-18	
CL-550-PFK	2-5/32	1-1/8	3/4	3/8	5/16-18	3/4
CL-560-PFK					3/8-16	
CL-750-PFK	3-1/4	1-5/8	2	3/4	5/16-18	3/4
CL-760-PFK					3/8-16	

THERMOPLASTIC — TAPPED THROUGH HOLE

CL-341-PFK	1-1/2	1	3/4	3/8	1/4-20	5/8
CL-351-PFK					5/16-18	
CL-551-PFK	2-5/32	1-1/8	3/4	3/8	5/16-18	7/8
CL-561-PFK					3/8-16	

STAR KNOBS

BLACK THERMOPLASTIC OR CUSHION-GRIP PLASTIC WITH BRASS INSERT

Thermoplastic — Tapped

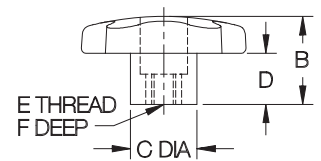
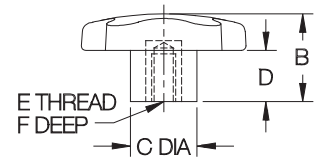
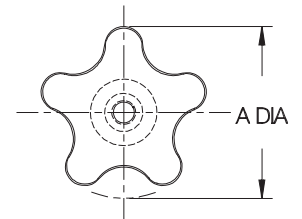


1/4-20 CL-632-SK
5/16-18 CL-642-SK
3/8-16 CL-652-SK

Thermoplastic — Tapped Through Hole



1/4-20 CL-636-SK
5/16-18 CL-646-SK
3/8-16 CL-656-SK



Cushion Grip — Tapped



5/16-18 CL-755-SK
3/8-16 CL-765-SK



1/4-20 CL-545-SK
5/16-18 CL-555-SK
3/8-16 CL-565-SK



1/4-20 CL-345-SK
5/16-18 CL-355-SK

Star Knobs have five lobes to provide a firm, sure grip for applications requiring quick tightening and high torque. Smooth, rounded lobes prevent snagging. Thermoplastic version has a textured, non-slip, non-glare finish. Cushion-Grip version is made from a unique material that feels soft to the touch, comfortable yet rugged. Molded-in brass insert provides superior thread strength. Non-standard thread sizes, reamed holes, molded-in studs, or special colors are available in quantities of 500 and above.

THERMOPLASTIC — TAPPED

PART NO.	A DIA	B	C DIA	D	E	F
CL-632-SK	2-1/4	1	7/8	1/2	1/4-20	1/2
CL-642-SK					5/16-18	5/8
CL-652-SK					3/8-16	1/2

THERMOPLASTIC — TAPPED THROUGH HOLE

PART NO.	A DIA	B	C DIA	D	E	F
CL-636-SK	2-1/4	1	7/8	1/2	1/4-20	5/8
CL-646-SK					5/16-18	
CL-656-SK					3/8-16	

CUSHION GRIP — TAPPED

PART NO.	A DIA	B	C DIA	D	E	F
CL-345-SK	1-1/2	1-3/32	11/16	15/64	1/4-20	5/8
CL-355-SK					5/16-18	
CL-545-SK	2	1-3/8	3/4	33/64	1/4-20	5/8
CL-555-SK					5/16-18	
CL-565-SK					3/8-16	
CL-755-SK	2-3/8	1-5/8	3/4	11/16	5/16-18	5/8
CL-765-SK					3/8-16	

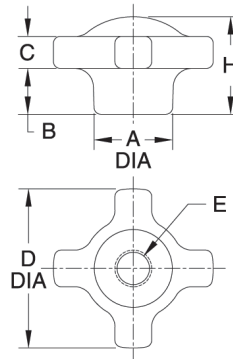
HAND KNOBS

CAST IRON, ZINC PLATED CLEAR CHROMATE

Cast Iron



5/8-11
3/4-10
M16
M20



Classic easy-to-grip clamping knob, available in cast iron (shown here) or aluminum. Choose from five cast iron knob sizes, available blank, tapped, or tapped through.



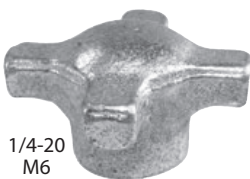
1/2-13
5/8-11
M12
M16



5/16-18
3/8-16
1/2-13
M8
M10
M12



1/4-20
5/16-18
M6
M8



1/4-20
M6

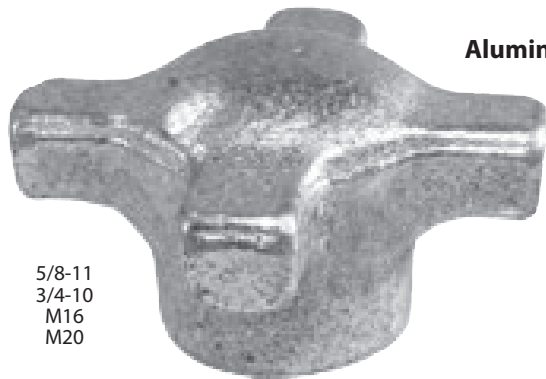
CAST IRON (INCH & METRIC)

PART NO. CAST IRON	D DIA	A DIA	B	C	H	HOLE TYPE	E
CL-85-HK-8	1-1/8	9/16	5/16	5/16	7/8	BLANK	—
CL-80-HK-8						TAPPED	1/4-20 x 1/2 DEEP
CLM-80-HK-8						TAPPED	M6 x 1/2 DEEP
CL-8-HK-8						TAPPED THROUGH	1/4-20
CLM-8-HK-8	1-3/4	3/4	1/2	3/8	1-1/8	TAPPED	M6
CL-25-HK-2						BLANK	—
CL-10-HK-2						TAPPED	1/4-20 x 7/8 DEEP
CL-20-HK-2						TAPPED	5/16-18 x 7/8 DEEP
CLM-10-HK-2	2-1/8	1	5/8	7/16	1-3/8	TAPPED	M6 x 7/8 DEEP
CLM-20-HK-2						TAPPED	M8 x 7/8 DEEP
CL-1-HK-2						TAPPED	1/4-20
CL-2-HK-2						TAPPED	5/16-18
CLM-1-HK-2	2-1/2	1-1/8	1	1/2	1-5/8	TAPPED	M6
CLM-2-HK-2						TAPPED	M8
CL-45-HK-4						BLANK	—
CL-20-HK-4						TAPPED	5/16-18 x 1 DEEP
CL-30-HK-4	2-1/2	1	5/8	7/16	1-3/8	TAPPED	3/8-16 x 1 DEEP
CL-40-HK-4						TAPPED	1/2-13 x 1 DEEP
CLM-20-HK-4						TAPPED	M8 x 1 DEEP
CLM-30-HK-4						TAPPED	M10 x 1 DEEP
CLM-40-HK-4	2-3/4	1-3/8	3/4	1/2	1-1/2	TAPPED	M12 x 1 DEEP
CL-2-HK-4						TAPPED	5/16-18
CL-3-HK-4						TAPPED	3/8-16
CL-4-HK-4						TAPPED	1/2-13
CLM-2-HK-4	2-1/2	1-1/8	1	1/2	1-5/8	TAPPED	M8
CLM-3-HK-4						TAPPED	M10
CLM-4-HK-4						TAPPED	M12
CL-105-HK-10						BLANK	—
CL-90-HK-9	2-1/2	1-1/8	1	1/2	1-5/8	TAPPED	1/2-13 x 1-1/4 DEEP
CL-100-HK-10						TAPPED	5/8-11 x 1-1/4 DEEP
CLM-90-HK-9						TAPPED	M12 x 1-1/4 DEEP
CL-9-HK-9						TAPPED	1/2-13
CL-10-HK-10	2-3/4	1-3/8	3/4	1/2	1-1/2	TAPPED	5/8-11
CLM-9-HK-9						TAPPED	M12
CLM-10-HK-10						TAPPED	M16
CL-65-HK-6						BLANK	—
CL-50-HK-6	2-3/4	1-3/8	3/4	1/2	1-1/2	TAPPED	5/8-11 x 1-1/8 DEEP
CL-60-HK-6						TAPPED	3/4-10 x 1-1/8 DEEP
CLM-50-HK-6						TAPPED	M16 x 1-1/8 DEEP
CLM-60-HK-6						TAPPED	M20 x 1-1/8 DEEP
CL-5-HK-6	2-3/4	1-3/8	3/4	1/2	1-1/2	TAPPED	5/8-11
CL-6-HK-6						TAPPED	3/4-10
CLM-5-HK-6						TAPPED	M16
CLM-6-HK-6						TAPPED	M20

HAND KNOBS

319 ALUMINUM ALLOY

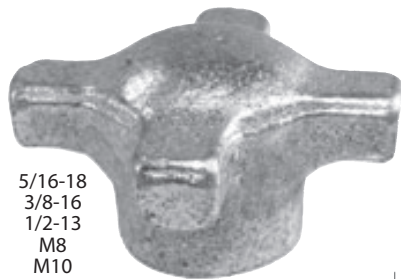
Aluminum



5/8-11
3/4-10
M16
M20



1/2-13
5/8-11
M12
M16



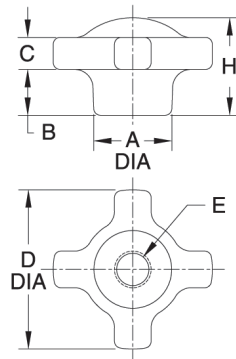
5/16-18
3/8-16
1/2-13
M8
M10
M12



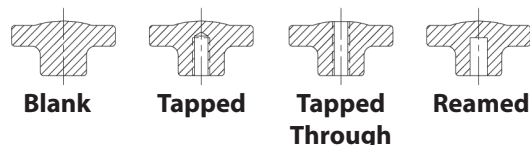
1/4-20
5/16-18
M6
M8



1/4-20
M6



Classic easy-to-grip clamping knob, available in aluminum (shown here) or cast iron. Choose from five knob sizes, each available blank, tapped, tapped through, or reamed.



Blank

Tapped

Tapped Through

Reamed

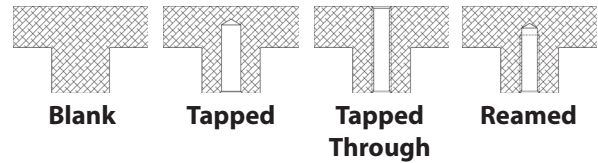
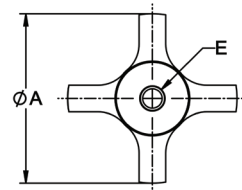
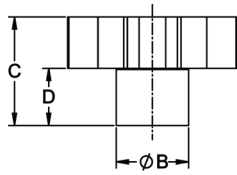
ALUMINUM (INCH & METRIC)

PART NO. ALUMINUM	D DIA	A DIA	B	C	H	HOLE TYPE	E
CL-85-HK-8A						BLANK	—
CL-80-HK-8A						TAPPED	1/4-20 x 1/2 DEEP
CLM-80-HK-8A						TAPPED	M6 x 1/2 DEEP
CL-8-HK-8A	1-1/8	9/16	5/16	5/16	7/8	TAPPED THROUGH	1/4-20
CLM-8-HK-8A						TAPPED THROUGH	M6
CL-28-HK-8A						REAMED	1/4 x 1/2 DEEP
CLM-28-HK-8A						REAMED	6mm x 1/2 DEEP
CL-25-HK-2A						BLANK	—
CL-10-HK-2A						TAPPED	1/4-20 x 7/8 DEEP
CL-20-HK-2A						TAPPED	5/16-18 x 7/8 DEEP
CLM-10-HK-2A						TAPPED	M6 x 7/8 DEEP
CLM-20-HK-2A						TAPPED	M8 x 7/8 DEEP
CL-1-HK-2A	1-3/4	3/4	1/2	3/8	1-1/8	TAPPED THROUGH	1/4-20
CL-2-HK-2A						TAPPED THROUGH	5/16-18
CLM-1-HK-2A						TAPPED THROUGH	M6
CLM-2-HK-2A						TAPPED THROUGH	M8
CL-21-HK-2A						REAMED	1/4 x 7/8 DEEP
CL-22-HK-2A						REAMED	5/16 x 7/8 DEEP
CLM-21-HK-2A						REAMED	6mm x 7/8 DEEP
CLM-22-HK-2A						REAMED	8mm x 7/8 DEEP
CL-45-HK-4A						BLANK	—
CL-20-HK-4A						TAPPED	5/16-18 x 1 DEEP
CL-30-HK-4A						TAPPED	3/8-16 x 1 DEEP
CL-40-HK-4A						TAPPED	1/2-13 x 1 DEEP
CLM-20-HK-4A						TAPPED	M8 x 1 DEEP
CLM-30-HK-4A						TAPPED	M10 x 1 DEEP
CLM-40-HK-4A						TAPPED	M12 x 1 DEEP
CL-2-HK-4A	2-1/8	1	5/8	7/16	1-3/8	TAPPED THROUGH	5/16-18
CL-3-HK-4A						TAPPED THROUGH	3/8-16
CL-4-HK-4A						TAPPED THROUGH	1/2-13
CLM-2-HK-4A						TAPPED THROUGH	M8
CLM-3-HK-4A						TAPPED THROUGH	M10
CLM-4-HK-4A						TAPPED THROUGH	M12
CL-23-HK-4A						REAMED	3/8 x 1 DEEP
CL-24-HK-4A						REAMED	1/2 x 1 DEEP
CLM-23-HK-4A						REAMED	10mm x 1 DEEP
CLM-24-HK-4A						REAMED	12mm x 1 DEEP
CL-105-HK-10A						BLANK	—
CL-90-HK-9A						TAPPED	1/2-13 x 1-1/4 DEEP
CL-100-HK-10A						TAPPED	5/8-11 x 1-1/4 DEEP
CLM-90-HK-9A						TAPPED	M12 x 1-1/4 DEEP
CLM-100-HK-10A						TAPPED	M16 x 1-1/4 DEEP
CL-9-HK-9A	2-1/2	1-1/8	1	1/2	1-5/8	TAPPED THROUGH	1/2-13
CL-10-HK-10A						TAPPED THROUGH	5/8-11
CLM-9-HK-9A						TAPPED THROUGH	M12
CLM-10-HK-10A						TAPPED THROUGH	M16
CL-29-HK-9A						REAMED	1/2 x 1-1/4 DEEP
CL-31-HK-10A						REAMED	5/8 x 1-1/4 DEEP
CLM-29-HK-9A						REAMED	12mm x 1-1/4 DEEP
CLM-31-HK-10A						REAMED	16mm x 1-1/4 DEEP
CL-65-HK-6A						BLANK	—
CL-50-HK-6A						TAPPED	5/8-11 x 1-1/8 DEEP
CL-60-HK-6A						TAPPED	3/4-10 x 1-1/8 DEEP
CLM-50-HK-6A						TAPPED	M16 x 1-1/8 DEEP
CLM-60-HK-6A						TAPPED	M20 x 1-1/8 DEEP
CL-5-HK-6A	2-3/4	1-3/8	3/4	1/2	1-1/2	TAPPED THROUGH	5/8-11
CL-6-HK-6A						TAPPED THROUGH	3/4-10
CLM-5-HK-6A						TAPPED THROUGH	M16
CLM-6-HK-6A						TAPPED THROUGH	M20
CL-25-HK-6A						REAMED	5/8 x 1-1/8 DEEP
CL-26-HK-6A						REAMED	3/4 x 1-1/8 DEEP
CLM-25-HK-6A						REAMED	16mm x 1-1/8 DEEP
CLM-26-HK-6A						REAMED	20mm x 1-1/8 DEEP

3

HAND KNOBS

EXTRUDED HAND KNOB, EXTRUDED ALUMINUM, GREEN ANODIZE



Extruded hand knob use, easy-to-grip aluminum clamping knob. Four-prong design provides a firm grip for applications requiring quick tightening and high torque. Extruded hand knobs available blank, tapped, tapped through, or reamed. Available with tapped-hole sizes from 1/4-20 to 3/4-10 (M6 to M20 in metric) and reamed hole sizes from 1/4 to 3/4 (6mm to 20mm in metric).

GREEN ANODIZE (INCH)

PART NO.	A DIA	B DIA	C	D	E DIA	E DEPTH
CL-0-HKE-00	1	1/2	7/8	1/2	-	-
CL-0-HKE-10	1-1/2	5/8	7/8	3/8	-	-
CL-0-HKE-20	1-3/4	3/4	1-1/8	19/32	-	-
CL-0-HKE-30	2	13/16	1-3/8	3/4	-	-
CL-0-HKE-40	2-1/2	1	1-1/2	25/32	-	-
CL-0-HKE-50	3	1-1/4	1-1/4	5/8	-	-
CL-4R-HKE-00	1	1/2	7/8	1/2	1/4	1/2
CL-3R-HKE-20	1-3/4	3/4	1-1/8	19/32	3/16	3/4
CL-4R-HKE-20	1-3/4	3/4	1-1/8	19/32	1/4	3/4
CL-5R-HKE-20	1-3/4	3/4	1-1/8	19/32	5/16	3/4
CL-5R-HKE-30	2	13/16	1-3/8	3/4	5/16	1
CL-6R-HKE-30	2	13/16	1-3/8	3/4	3/8	1
CL-8R-HKE-30	2	13/16	1-3/8	3/4	1/2	1
CL-8R-HKE-40	2-1/2	1	1-1/2	25/32	1/2	1-1/4
CL-10R-HKE-40	2-1/2	1	1-1/2	25/32	5/8	1-1/4
CL-12R-HKE-40	2-1/2	1	1-1/2	25/32	3/4	1-1/4
CL-4T-HKE-00	1	1/2	7/8	1/2	1/4-20	1/2
CL-4T-HKE-20	1-3/4	3/4	1-1/8	19/32	1/4-20	3/4
CL-5T-HKE-20	1-3/4	3/4	1-1/8	19/32	5/16-18	3/4
CL-5T-HKE-30	2	13/16	1-3/8	3/4	5/16-18	1
CL-6T-HKE-30	2	13/16	1-3/8	3/4	3/8-16	1
CL-8T-HKE-30	2	13/16	1-3/8	3/4	1/2-13	1
CL-8T-HKE-40	2-1/2	1	1-1/2	25/32	1/2-13	1
CL-10T-HKE-40	2-1/2	1	1-1/2	25/32	5/8-11	1
CL-12T-HKE-40	2-1/2	1	1-1/2	25/32	3/4-10	1
CL-4T-HKE-00	1	1/2	7/8	1/2	1/4-20	1/2
CL-4T-HKE-20	1-3/4	3/4	1-1/8	19/32	1/4-20	3/4
CL-5T-HKE-20	1-3/4	3/4	1-1/8	19/32	5/16-18	3/4
CL-5T-HKE-30	2	13/16	1-3/8	3/4	5/16-18	1
CL-6T-HKE-30	2	13/16	1-3/8	3/4	3/8-16	1
CL-8T-HKE-30	2	13/16	1-3/8	3/4	1/2-13	1
CL-8T-HKE-40	2-1/2	1	1-1/2	25/32	1/2-13	1
CL-10T-HKE-40	2-1/2	1	1-1/2	25/32	5/8-11	1
CL-12T-HKE-40	2-1/2	1	1-1/2	25/32	3/4-10	1

GREEN ANODIZE (METRIC)

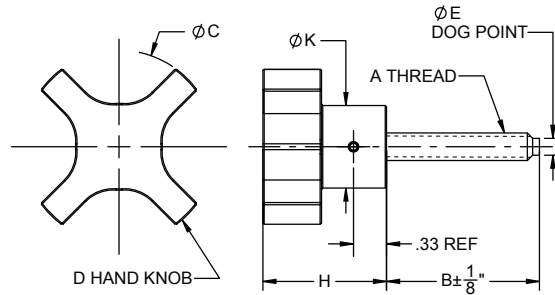
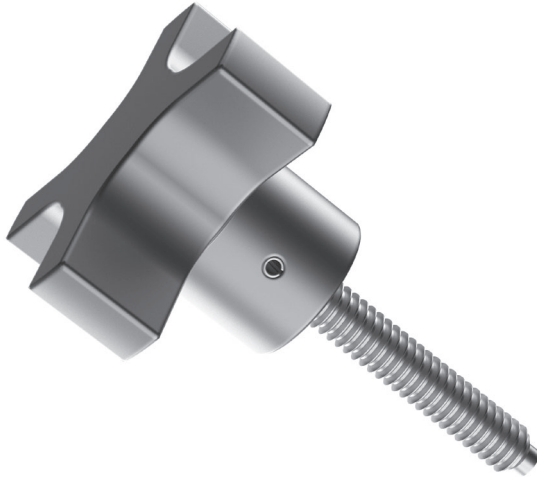
PART NO.	A DIA (mm)	B DIA (mm)	C (mm)	D (mm)	E DIA (mm)	E DEPTH (mm)
CLM-6R-HKE-00	25.5	13	22	12.5	6	12.5
CLM-6R-HKE-20	44.5	19	28.5	15	6	19
CLM-8R-HKE-20	44.5	19	28.5	15	8	19
CLM-10R-HKE-30	51	20.5	35	19	10	25.5
CLM-12R-HKE-30	51	20.5	35	19	12	25.5
CLM-12R-HKE-40	63.5	25.5	38	20	12	32
CLM-16R-HKE-40	63.5	25.5	38	20	16	32
CLM-20R-HKE-40	63.5	25.5	38	20	20	32

PART NO.	A DIA (mm)	B DIA (mm)	C (mm)	D (mm)	E THREAD	THREAD PITCH (mm)	E DEPTH (mm)
CLM-6T-HKE-00	25.5	13	22	12.5	M6	1	12.5
CLM-6T-HKE-20	44.5	19	28.5	15	M6	1	19
CLM-8T-HKE-20	44.5	19	28.5	15	M8	1.25	19
CLM-8T-HKE-30	51	20.5	35	19	M8	1.25	25.5
CLM-10T-HKE-30	51	20.5	35	19	M10	1.5	25.5
CLM-12T-HKE-30	51	20.5	35	19	M12	1.75	25.5
CLM-12T-HKE-40	63.5	25.5	38	20	M12	1.75	25.5
CLM-16T-HKE-40	63.5	25.5	38	20	M16	2	25.5
CLM-20T-HKE-40	63.5	25.5	38	20	M20	2.5	25.5

PART NO.	A DIA (mm)	B DIA (mm)	C (mm)	D (mm)	E THREAD	THREAD PITCH (mm)
CLM-6TT-HKE-00	25.5	13	22	12.5	M6	1
CLM-6TT-HKE-20	44.5	19	28.5	15	M6	1
CLM-8TT-HKE-20	44.5	19	28.5	15	M8	1.25
CLM-8TT-HKE-30	51	20.5	35	19	M8	1.25
CLM-10TT-HKE-30	51	20.5	35	19	M10	1.5
CLM-12TT-HKE-30	51	20.5	35	19	M12	1.75
CLM-12TT-HKE-40	63.5	25.5	38	20	M12	1.75
CLM-16TT-HKE-40	63.5	25.5	38	20	M16	2
CLM-20TT-HKE-40	63.5	25.5	38	20	M20	2.5

EXTRUDED HAND KNOB

HAND KNOB: EXTRUDED ALUMINUM, GREEN ANODIZE,
SCREW: 1215 STEEL, ZINC PLATED CLEAR CHROMATE



Extruded, easy-to-grip hand knob with an integral steel clamping screw. Four-prong design provides a firm grip for applications requiring quick tightening and high torque. Made in U.S.A.

GREEN ANODIZE (INCH)

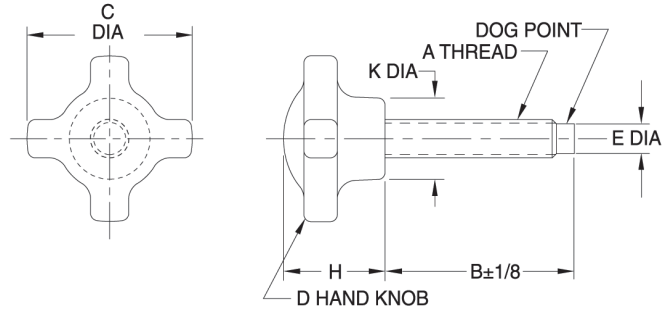
PART NO.	A THREAD	B	C DIA	D	E DIA	H	K DIA
CL-1-HKE2T	1/4-20	1	1-3/4	CL-4T-HKE-20	.15	1-1/8	3/4
CL-2-HKE2T		1-1/2					
CL-2A-HKE2T		2					
CL-2B-HKE2T		3					
CL-3A-HKE2T	5/16-18	1		CL-5T-HKE-20	.20		
CL-3-HKE2T		1-3/4					
CL-4-HKE2T		2-1/2					
CL-4A-HKE4T		3					
CL-5A-HKE4T	3/8-16	1	2	CL-6T-HKE-30	.25	1-3/8	13/16
CL-5B-HKE4T		1-1/2					
CL-5-HKE4T		2					
CL-6-HKE4T		2-1/2					
CL-6A-HKE4T	1/2-13	3		CL-8T-HKE-30	.34		
CL-7A-HKE4T		1					
CL-7B-HKE4T		1-1/2					
CL-7C-HKE4T		2					
CL-7-HKE4T	5/8-11	2-1/2	2-1/2	CL-10T-HKE-40	.46	1-1/2	1
CL-8-HKE4T		3					
CL-9-HKE6T		1-3/4					
CL-10-HKE6T		3					
CL-12-HKE6T	3/4-10	3		CL-12T-HKE-40	.56		

GREEN ANODIZE (METRIC)

PART NO.	A THREAD	THREAD PITCH (mm)	B (mm)	C DIA (mm)	D	E DIA (mm)	H (mm)	K DIA (mm)
CLM-1-HKE2T	M6x1.0	1	25	44	CLM-6T-HKE-20	4.4	28	19
CLM-2-HKE2T			40					
CLM-3A-HKE2T	M8x1.25	1.25	25		CLM-8T-HKE-20	5.9		
CLM-3-HKE2T			45					
CLM-4-HKE2T	M10x1.5	1.5	65	51	CLM-10T-HKE-30	6.9	35	21
CLM-5A-HKE4T			25					
CLM-5B-HKE4T			40					
CLM-5-HKE4T			50					
CLM-6-HKE4T	M12x1.75	1.75	65		CLM-12T-HKE-30	8.9		
CLM-7A-HKE4T			25					
CLM-7B-HKE4T			40					
CLM-7C-HKE4T			50					
CLM-7-HKE4T	M16x2.0	2	65	64	CLM-16T-HKE-40	11.9	38	25
CLM-8-HKE4T			75					
CLM-9-HKE6T			45					
CLM-10-HKE6T			75					
CLM-12-HKE6T	M20x2.5	2.5	75		CLM-20T-HKE-40			

HAND KNOB ASSEMBLIES

KNOB: 319 ALUMINUM ALLOY
SCREW: 1215 STEEL, ZINC PLATED CLEAR CHROMATE



3

Classic, easy-to-grip aluminum knob with an integral steel clamping screw. Four-prong design provides a firm grip for applications requiring quick tightening and high torque. Choice of three knob sizes. Available in thread sizes from 1/4-20 to 3/4-10 (M6 to M20 in metric), most in a choice of several thread lengths.

INCH

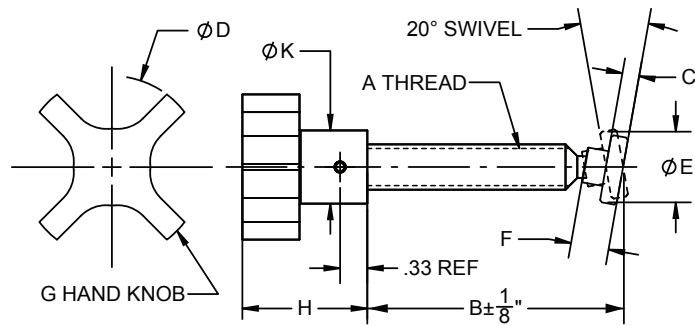
PART NO.	A	B	C DIA	D	E DIA	H	K DIA
CL-1-HK2T	1/4-20	1	1-3/4	CL-25-HK-2A	.15	1-1/8	3/4
CL-2-HK2T		1-1/2					
CL-2A-HK2T		2					
CL-2B-HK2T		3					
CL-3A-HK2T	5/16-18	1	1-3/4	CL-25-HK-2A	.20	1-1/8	3/4
CL-3-HK2T		1-3/4					
CL-4-HK2T		2-1/2					
CL-4A-HK2T		3					
CL-5A-HK4T	3/8-16	1	2-1/8	CL-45-HK-4A	.25	1-3/8	1
CL-5B-HK4T		1-1/2					
CL-5-HK4T		2					
CL-6-HK4T		2-1/2					
CL-6A-HK4T	1/2-13	3	2-1/8	CL-45-HK-4A	.34	1-3/8	1
CL-7A-HK4T		1					
CL-7B-HK4T		1-1/2					
CL-7C-HK4T		2					
CL-7-HK4T	1/2-13	2-1/2	2-1/8	CL-45-HK-4A	.34	1-3/8	1
CL-8-HK4T		3					
CL-9-HK6T	5/8-11	1-3/4	2-3/4	CL-65-HK-6A	.46	1-1/2	1-3/8
CL-10-HK6T		3					
CL-12-HK6T	3/4-10	3	2-3/4	CL-65-HK-6A	.56	1-1/2	1-3/8

METRIC

PART NO.	A THREAD	THREAD PITCH (mm)	B (mm)	C DIA (mm)	D	E DIA (mm)	H (mm)	K DIA (mm)
CLM-1-HK2T	M6	1	25	44	CL-25-HK-2A	4.4	29	19
CLM-2-HK2T			40					
CLM-3A-HK2T	M8	1.25	25					
CLM-3-HK2T			45					
CLM-4-HK2T	M10	1.5	65	54	CL-45-HK-4A	6.9	35	25
CLM-5A-HK4T			25					
CLM-5B-HK4T			40					
CLM-5-HK4T			50					
CLM-6-HK4T	M12	1.75	65	54	CL-45-HK-4A	8.9	35	25
CLM-7A-HK4T			25					
CLM-7B-HK4T			40					
CLM-7C-HK4T			50					
CLM-7-HK4T	M16	2	65	70	CL-65-HK-6A	11.9	38	35
CLM-8-HK4T			75					
CLM-9-HK6T	M16	2	45					
CLM-10-HK6T			75					
CLM-12-HK6T	M20	2.5	75	70	CL-65-HK-6A	14.9	38	35

EXTRUDED HAND KNOB ASSEMBLIES

HAND KNOB: EXTRUDED ALUMINUM, GREEN ANODIZE,
SCREW: 1215 STEEL, ZINC PLATED CLEAR CHROMATE



Extruded Hand knob assembly with a removable swivel foot. Clamping screw is securely pinned in the knob. Four-prong design provides a firm grip for applications requiring quick tightening and high torque. Made in U.S.A.

INCH

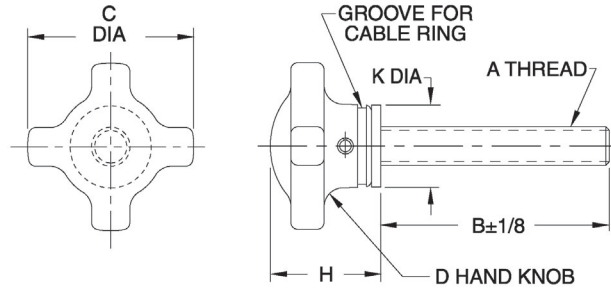
PART NO.	A THREAD	B	C	D DIA	E DIA	F	G	H	K DIA
CL-1-KESA	1/4-20	1-1/4	1/8	1	3/8	5/16	CL-4T-HKE-00	7/8	.51
CL-2-KESA	1/4-20	2	1/8	1	3/8	5/16	CL-4T-HKE-00	7/8	.51
CL-2A-KESA	1/4-20	2	1/8	1-1/2	3/8	5/16	CL-4T-HKE-20	1-1/8	.75
CL-3-KESA	5/16-18	1-1/2	5/32	1-1/2	1/2	11/32	CL-5T-HKE-20	1-1/8	.75
CL-4-KESA	5/16-18	2-1/4	5/32	1-1/2	1/2	11/32	CL-5T-HKE-20	1-1/8	.75
CL-4A-KESA	5/16-18	2-3/4	5/32	1-1/2	1/2	11/32	CL-5T-HKE-20	1-1/8	.75
CL-5-KESA	3/8-16	2-1/16	3/16	2	9/16	7/16	CL-6T-HKE-30	1-3/8	.81
CL-6-KESA	3/8-16	2-13/16	3/16	2	9/16	7/16	CL-6T-HKE-30	1-3/8	.81
CL-7-KESA	3/8-16	3-9/16	3/16	2	9/16	7/16	CL-6T-HKE-30	1-3/8	.81
CL-8-KESA	1/2-13	2-13/16	3/16	2	3/4	27/64	CL-8T-HKE-30	1-3/8	.81
CL-9-KESA	1/2-13	3-9/16	3/16	2	3/4	27/64	CL-8T-HKE-30	1-3/8	.81
CL-10-KESA	1/2-13	4-5/16	3/16	2	3/4	27/64	CL-8T-HKE-30	1-3/8	.81
CL-11-KESA	5/8-11	3-5/16	7/32	2-1/2	15/16	33/64	CL-10T-HKE-40	1-1/2	1.00
CL-13-KESA	5/8-11	4-13/16	7/32	2-1/2	15/16	33/64	CL-10T-HKE-40	1-1/2	1.00
CL-14-KESA	3/4-10	3-5/16	7/32	2-1/2	15/16	33/64	CL-12T-HKE-40	1-1/2	1.00
CL-16-KESA	3/4-10	4-13/16	7/32	2-1/2	15/16	33/64	CL-12T-HKE-40	1-1/2	1.00

INCH

PART NO.	A THREAD	THREAD PITCH (mm)	B (mm)	C (mm)	D DIA (mm)	E DIA (mm)	F (mm)	G	H (mm)	K DIA (mm)
CLM-1-KESA	M6	1	25	3.2	25	9.5	7.5	CLM-6T-HKE-00	22	13
CLM-2-KESA	M6	1	50	3.2	25	9.5	7.5	CLM-6T-HKE-00	22	13
CLM-3-KESA	M8	1.25	40	4	44	12.5	9	CLM-8T-HKE-20	28	19
CLM-4-KESA	M8	1.25	60	4	44	12.5	9	CLM-8T-HKE-20	28	19
CLM-5-KESA	M10	1.5	50	4.8	51	14.5	11	CLM-10T-HKE-30	35	21
CLM-6-KESA	M10	1.5	90	4.8	51	14.5	11	CLM-10T-HKE-30	35	21
CLM-7-KESA	M12	1.75	70	4.8	64	19	10.5	CLM-12T-HKE-40	38	25
CLM-8-KESA	M12	1.75	110	4.8	64	19	10.5	CLM-12T-HKE-40	38	25
CLM-9-KESA	M16	2	80	5.5	64	23.5	13	CLM-16T-HKE-40	38	25
CLM-10-KESA	M16	2	120	5.5	64	23.5	13	CLM-16T-HKE-40	38	25

SWIVEL-WASHER HAND KNOB ASSEMBLIES

KNOB: 319 ALUMINUM ALLOY
 SCREW: 1215 STEEL, BLACK OXIDE FINISH.
 WASHER: MILD STEEL



ASSEMBLY WITH STEEL WASHER (INCH)

PART NO.	A	B	C DIA	D	H	K DIA	CABLE RING SIZE
CL-1-SHK2T	1/4-20	1	1-3/4	CL-25-HK-2A	1.33	3/4	CL-11-KR
CL-2-SHK2T		1-1/2					
CL-2A-SHK2T		2					
CL-2B-SHK2T		3					
CL-3A-SHK2T	5/16-18	1	1-3/4	CL-25-HK-2A	1.34	3/4	CL-11-KR
CL-3-SHK2T		1-3/4					
CL-4-SHK2T		2-1/2					
CL-4A-SHK2T		3					
CL-5A-SHK4T	3/8-16	1	2-1/8	CL-45-HK-4A	1.47	1	CL-14-KR
CL-5B-SHK4T		1-1/2					
CL-5-SHK4T		2					
CL-6-SHK4T		2-1/2					
CL-6A-SHK4T	1/2-13	3	2-1/8	CL-45-HK-4A	1.53	1	CL-14-KR
CL-7A-SHK4T		1					
CL-7B-SHK4T		1-1/2					
CL-7C-SHK4T		2					
CL-7-SHK4T	1/2-13	2-1/2	2-1/8	CL-45-HK-4A	1.53	1	CL-14-KR
CL-8-SHK4T		3					
CL-9-SHK6T		1-3/4					
CL-10-SHK6T	5/8-11	3	2-3/4	CL-65-HK-6A	1.66	1-3/8	CL-19-KR
CL-12-SHK6T	3/4-10	3	2-3/4	CL-65-HK-6A	1.77	1-3/8	CL-19-KR

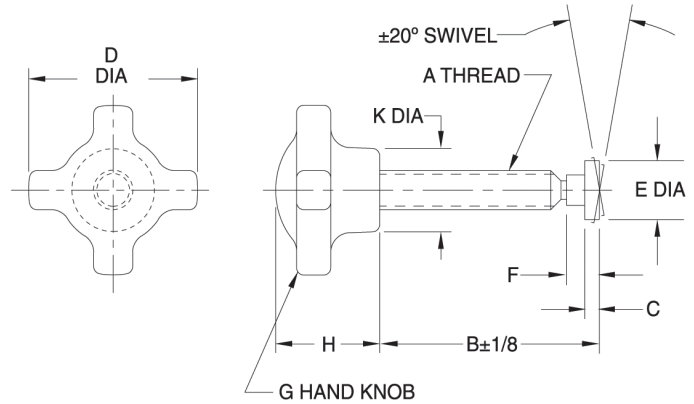
ASSEMBLY WITH NYLON WASHER (INCH)

PART NO.	A	B	C DIA	D	H	K DIA	CABLE RING SIZE
CL-1-SHK2TN	1/4-20	1	1-3/4	CL-25-HK-2A	1.33	3/4	CL-11-KR
CL-2-SHK2TN		1-1/2			1.34		
CL-3-SHK2TN	5/16-18	1-3/4	1-3/4	CL-25-HK-2A	1.34	3/4	CL-11-KR
CL-5A-SHK4TN	3/8-16	1	2-1/8	CL-45-HK-4A	1.47	1	CL-14-KR
CL-7A-SHK4TN	1/2-13	1			1.53		
CL-7B-SHK4TN	1/2-13	1-1/2	2-1/8	CL-45-HK-4A	1.53	1	CL-14-KR

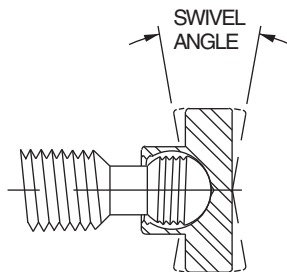
Hand-knob assembly with a captive, freely rotating washer to prevent marring in clamping applications. Four-prong design provides a firm grip for applications requiring quick tightening and high torque. Plain-end screw with no dogpoint. Choice of three knob sizes. Available in thread sizes from 1/4-20 to 3/4-10, most in a choice of several thread lengths.

KNOB SHOE ASSEMBLIES

HAND KNOB: EXTRUDED ALUMINUM, GREEN ANODIZE
 SCREW: 1215 STEEL, BLACK OXIDE FINISH OR ZINC PLATED CLEAR CHROMATE
 FOOT: 1215 STEEL, BLACK OXIDE FINISH OR ZINC PLATED YELLOW CHROMATE (OR DELRIN®)



This hand-knob assembly features an integral steel clamping screw with a removable swivel foot. Four-prong design provides a firm grip for applications requiring quick tightening and high torque. Choice of four knob sizes. Available in thread sizes from 1/4-20 to 3/4-10 (M6 to M20 in metric), most in a choice of several thread lengths.



Knob Shoe Assemblies use our patented left-hand-thread swivel-foot system. The ball end of the body screws into the foot for easy installation and removal. Once the ball threads pass beyond the foot threads, the foot can rotate and pivot freely (20° total angle). Foot threads are left-hand to positively prevent accidental backout during use. Delrin® feet are optional. To order with a Delrin® foot, add "N" to the part number, e.g. CL-1-KSAN. Note: Delrin® feet are not threaded – they snap on and off. INFO+: For other foot types, see Feet for Swivel Screws on page 122 (order separately).

INCH

PART NO.	A	B	C	D DIA	E DIA	F	G	H	K DIA
CL-1-KSA	1/4-20	1-1/4	1/8	1-1/8	3/8	5/16	CL-85-HK-8A	7/8	9/16
CL-2-KSA		2							
CL-2A-KSA	1/4-20	2	1/8	1-3/4	3/8	5/16	CL-25-HK-2A	1-1/8	3/4
CL-3-KSA		1-1/2	5/32	1-3/4	1/2	11/32	CL-25-HK-2A	1-1/8	3/4
CL-4-KSA	5/16-18	2-1/4							
CL-4A-KSA		2							
CL-5-KSA		2-1/16							
CL-6-KSA	3/8-16	2-13/16	3/16	2-1/8	9/16	7/16	CL-45-HK-4A	1-3/8	1
CL-7-KSA		3-9/16							
CL-8-KSA	2-13/16								
CL-9-KSA	3-9/16								
CL-10-KSA	1/2-13	4-5/16			3/4	27/64			
CL-11-KSA	5/8-11	3-5/16	7/32	2-3/4	15/16	33/64	CL-65-HK-6A	1-1/2	1-3/8
CL-13-KSA		4-13/16							
CL-14-KSA	3-5/16								
CL-16-KSA	4-13/16								

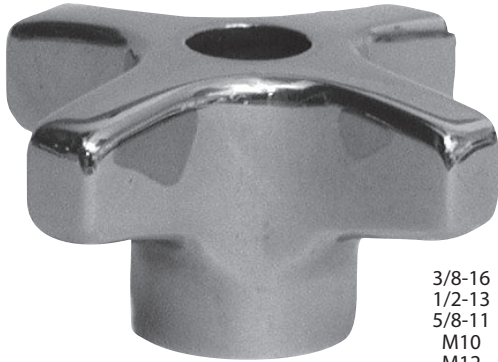
METRIC

PART NO.	A THREAD	THREAD PITCH (mm)	B (mm)	C (mm)	D DIA (mm)	E DIA (mm)	F (mm)	G	H (mm)	K DIA (mm)		
CLM-1-KSA	M6	1	25	3.2	29	9.5	7.5	CL-85-HK-8A	22	14		
CLM-2-KSA			50					CL-85-HK-8A				
CLM-3-KSA	M8	1.25	40	4	44	12.5	9	CL-25-HK-2A	29	19		
CLM-4-KSA			60					CL-25-HK-2A				
CLM-5-KSA	M10	1.5	50	4.8	54	14.5	11	CL-45-HK-4A	35	25		
CLM-6-KSA			90					CL-45-HK-4A				
CLM-7-KSA	M12	1.75	70					19			10.5	CL-45-HK-4A
CLM-8-KSA			110					CL-45-HK-4A				
CLM-9-KSA	M16	2	80	5.5	70	23.5	13	CL-65-HK-6A	38	35		
CLM-10-KSA			120					CL-65-HK-6A				

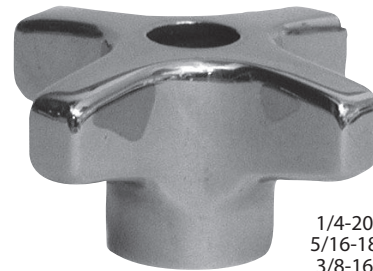
HAND KNOBS – STAINLESS STEEL

300-SERIES STAINLESS STEEL

3

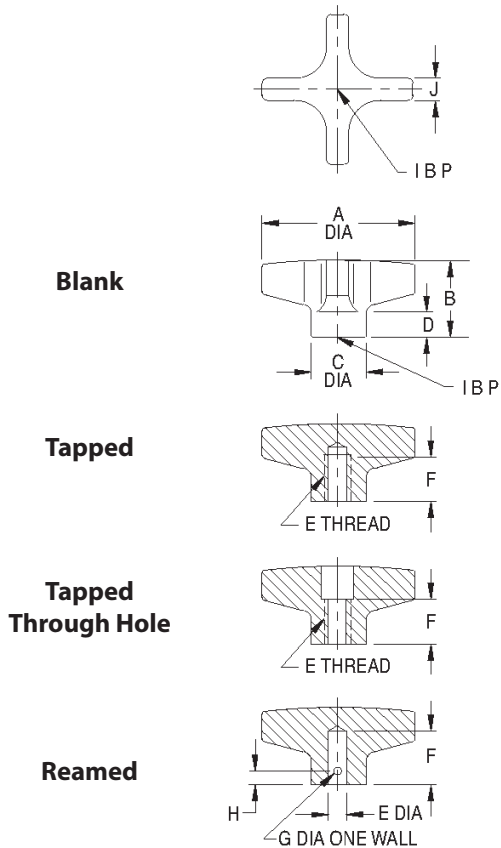


3/8-16
1/2-13
5/8-11
M10
M12
M16



1/4-20
5/16-18
3/8-16
M6
M8
M10

High-quality, stainless steel knob with a beautiful polished finish. Four-prong design provides a firm grip for applications requiring quick tightening and high torque. Choose from two knob sizes, each available blank, tapped, tapped through, or reamed.



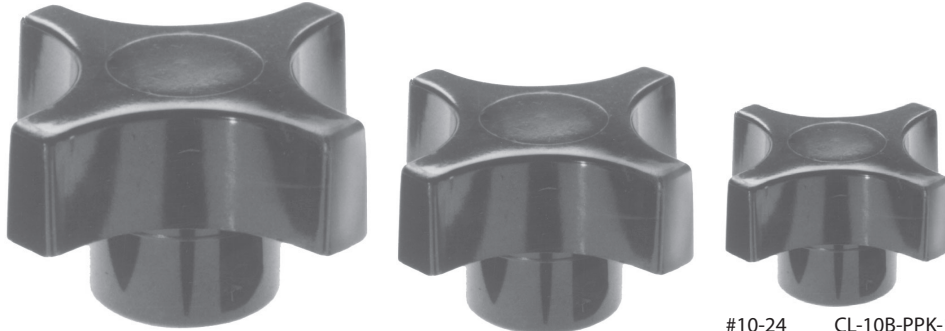
INCH & METRIC

PART NO.	A DIA	B	C DIA	D	HOLE TYPE	E	F	G	H	J
CL-200-HK-S	2	1.02	.78	.34	BLANK	—	—	—	—	.33
CL-240-HK-S					1/4-20	11/16	—	—		
CL-250-HK-S					5/16-18					
CL-260-HK-S					3/8-16					
CLM-260-HK-S					M6					
CLM-280-HK-S					M8	5/8	—	—		
CLM-2100-HK-S					M10					
CL-241-HK-S					1/4-20				1/2	
CL-251-HK-S					5/16-18	5/8	—	—		
CL-261-HK-S					3/8-16	3/4				
CLM-261-HK-S					M6	1/2				
CLM-281-HK-S					M8	5/8				
CLM-2101-HK-S					M10	3/4	1/8	3/16		
CL-255-HK-S					5/16	11/16				
CL-265-HK-S	3/8	11/16	5/32	3/16						
CL-600-HK-S	3	1.50	1.14	.50	BLANK	—	—	—	—	.47
CL-660-HK-S					3/8-16	1	—	—		
CL-680-HK-S					1/2-13					
CL-6100-HK-S					5/8-11					
CLM-6100-HK-S					M10					
CLM-6120-HK-S					M12					
CLM-6160-HK-S					M16	1-1/4	—	—		
CL-661-HK-S					3/8-16				3/4	
CL-681-HK-S					1/2-13				1	
CL-6101-HK-S					5/8-11	1-1/4	—	—		
CLM-6101-HK-S					M10	1				
CLM-6121-HK-S					M12					
CLM-6161-HK-S					M16					
CL-665-HK-S					3/8		1	5/32	1/4	
CL-685-HK-S					1/2	3/16				

FOUR-PRONG KNOBS

KNOB: BLACK PHENOLIC PLASTIC WITH BRASS INSERT
STUD: MILD STEEL, ZINC PLATED CLEAR CHROMATE

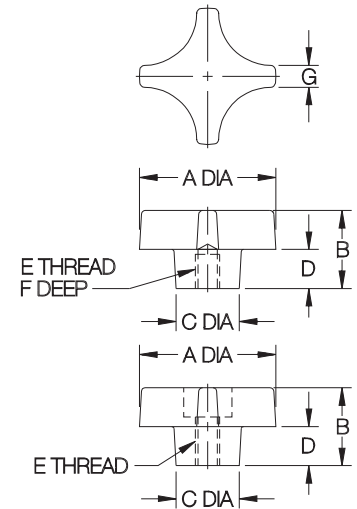
Phenolic — Tapped



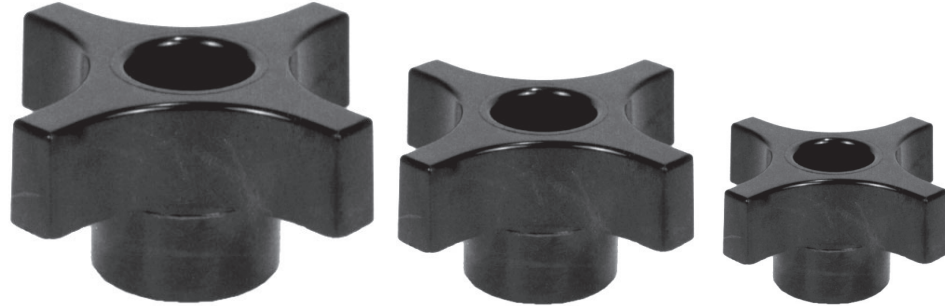
5/16-18 CL-20-PPK-4
3/8-16 CL-30-PPK-4
1/2-13 CL-40-PPK-4
M10 CLM-10-PPK-4

1/4-20 CL-10-PPK-2
5/16-18 CL-20-PPK-2
3/8-16 CL-30-PPK-2
M8 CLM-8-PPK-2

#10-24 CL-10B-PPK-1
#10-32 CL-10A-PPK-1
1/4-20 CL-10-PPK-1
5/16-18 CL-20-PPK-1
M6 CLM-6-PPK-1



Phenolic — Tapped Through Hole



5/16-18 CL-2-PPK-4
3/8-16 CL-3-PPK-4
1/2-13 CL-4-PPK-4

1/4-20 CL-1-PPK-2
5/16-18 CL-2-PPK-2
3/8-16 CL-3-PPK-2

#10-24 CL-1B-PPK-1
#10-32 CL-1A-PPK-1
1/4-20 CL-1-PPK-1

Four-prong design provides a strong grip for clamping and other applications requiring quick tightening and high torque. Choice of three knob sizes. Molded-in brass insert provides superior thread strength. INFO+: Also available with a molded-in clamping stud (page 110). Non-standard thread sizes, reamed holes, or other lengths of molded-in studs are available in quantities of 500 and above.

PHENOLIC — TAPPED (INCH & METRIC)

PART NO.	A	B	C DIA	D	E	F	G
CL-10B-PPK-1	1-1/4	7/8	5/8	3/8	#10-24	5/16	1/4
CL-10A-PPK-1					#10-32		
CL-10-PPK-1					1/4-20		
CL-20-PPK-1					5/16-18		
CLM-6-PPK-1	1-3/4	1	13/16	1/2	M6	7/16	9/32
CL-10-PPK-2					1/4-20		
CL-20-PPK-2					5/16-18		
CL-30-PPK-2					3/8-16		
CLM-8-PPK-2	2-1/4	1-1/8	1	9/16	M8	1/2	5/16
CL-20-PPK-4					5/16-18		
CL-30-PPK-4					3/8-16		
CL-40-PPK-4					1/2-13		
CLM-10-PPK-4					M10	5/8	

PHENOLIC — TAPPED THROUGH HOLE (INCH)

CL-1B-PPK-1	1-1/4	7/8	5/8	3/8	#10-24	5/16	1/4
CL-1A-PPK-1					#10-32		
CL-1-PPK-1					1/4-20		
CL-1-PPK-2	1-3/4	1	13/16	1/2	1/4-20	5/8	9/32
CL-2-PPK-2					5/16-18		
CL-3-PPK-2					3/8-16		
CL-2-PPK-4	2-1/4	1-1/8	1	9/16	5/16-18	5/8	5/16
CL-3-PPK-4					3/8-16		
CL-4-PPK-4					1/2-13		

FOUR-PRONG KNOBS



3/8-16 x 1
3/8-16 x 1-1/2
3/8-16 x 2
3/8-16 x 2-1/2
1/2-13 x 1-1/2
1/2-13 x 2
1/2-13 x 2-1/2
M10 x 40mm

CL-5A-PPK4T
CL-5B-PPK4T
CL-5-PPK4T
CL-6-PPK4T
CL-7B-PPK4T
CL-7C-PPK4T
CL-7-PPK4T
CLM-1040-PPK4T

1/4-20 x 1
5/16-18 x 1
5/16-18 x 1-1/2
5/16-18 x 2
M8 x 30mm

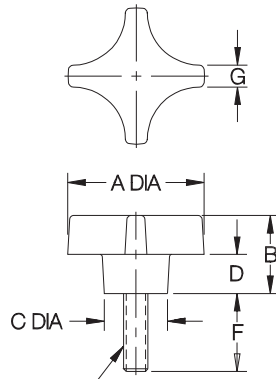
CL-1-PPK2T
CL-3A-PPK2T
CL-4A-PPK2T
CL-4B-PPK2T
CLM-830-PPK-2T

#10-24 x 3/4
#10-32 x 3/4
1/4-20 x 1
M6 x 20mm

CL-1B-PPK1T
CL-1A-PPK1T
CL-1-PPK1T
CLM-620-PPK1T

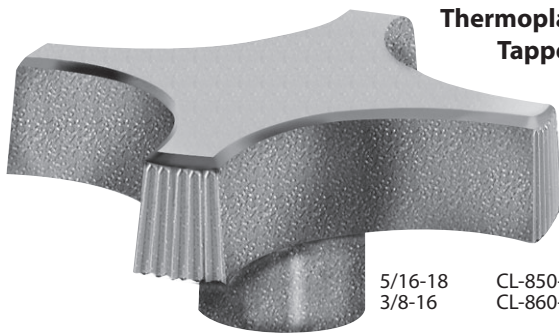
PHENOLIC — STUD TYPE (INCH & METRIC)

PART NO.	A	B	C DIA	D	E	F	G
CL-1B-PPK1T	1-1/4	7/8	5/8	3/8	#10-24	3/4	1/4
CL-1A-PPK1T					#10-32	3/4	
CL-1-PPK1T					1/4-20	1	
CLM-620-PPK1T					M6	.79	
CL-1-PPK2T	1-3/4	1	13/16	1/2	1/4-20	1	9/32
CL-3A-PPK2T						1	
CL-4A-PPK2T						1-1/2	
CL-4B-PPK2T						2	
CLM-830-PPK2T					M8	1.18	
CL-5A-PPK4T	2-1/4	1-1/8	1	9/16	3/8-16	1	5/16
CL-5B-PPK4T						1-1/2	
CL-5-PPK4T						2	
CL-6-PPK4T						2-1/2	
CL-7B-PPK4T					1-1/2	2	
CL-7C-PPK4T					2		
CL-7-PPK4T					2-1/2		
CLM-1040-PPK4T					M10		



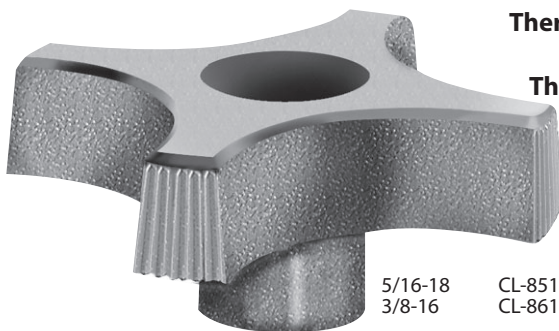
FOUR-PRONG KNOBS

BLACK THERMOPLASTIC WITH BRASS INSERT



Thermoplastic —
Tapped

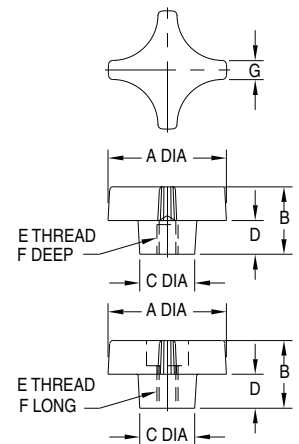
5/16-18 CL-850-PPK
3/8-16 CL-860-PPK



Thermoplastic —
Tapped
Through Hole

5/16-18 CL-851-PPK
3/8-16 CL-861-PPK

Four-prong design in thermoplastic, with a textured non-slip, non-glare finish. Molded-in brass insert provides superior thread strength. Non-standard thread sizes, reamed holes, molded-in studs, or special colors are available in quantities of 500 and above.



THERMOPLASTIC — TAPPED (INCH)

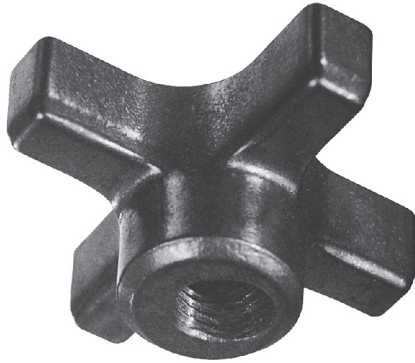
PART NO.	A	B	C DIA	D	E	F	G
CL-850-PPK	3	1-1/4	7/8	9/16	5/16-18	5/8	1/2
CL-860-PPK					3/8-16		

THERMOPLASTIC — TAPPED THROUGH HOLE (INCH)

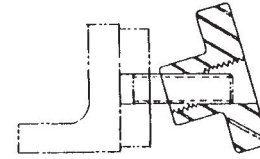
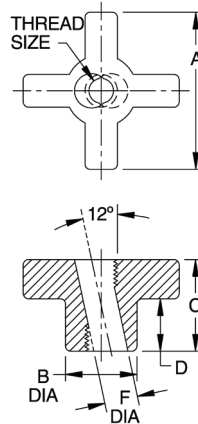
PART NO.	A	B	C DIA	D	E	F	G
CL-851-PPK	3	1-1/4	7/8	9/16	5/16-18	5/8	1/2
CL-861-PPK					3/8-16		

QUICK-ACTING KNOBS

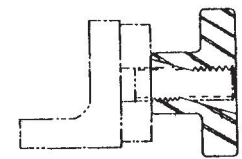
SINTERED IRON



Quick-acting four-prong knob that slides in and out of clamping position, ideal when the knob must be completely removed for loading. Tilt knob to slide in, then straighten to engage threads and tighten. To remove, loosen knob, then tilt to slide out. Four-prong design provides a firm grip for applications requiring quick tightening and high torque. For full strength, use a stud that extends slightly beyond the knob, to engage all threads.



Tilt knob to slide in and out.



Straighten knob to engage threads for clamping.

INCH

PART NO.	THREAD SIZE	A	B DIA	C	D	F DIA
CL-1-QAK	1/4-20	1-1/8	9/16	5/8	5/16	17/64
CL-2-QAK	5/16-18	1-1/2	11/16	7/8	1/2	21/64
CL-3-QAK	3/8-16	2	13/16	1		25/64
CL-4-QAK	1/2-13	2-1/2	1	1-1/8	9/16	33/64
CL-5-QAK	5/8-11	3	1-1/4	1-1/4	5/8	41/64

METRIC

PART NO.	THREAD SIZE	THREAD PITCH (mm)	A (mm)	B DIA (mm)	C (mm)	D (mm)	F DIA (mm)
CLM-6-QAK	M6	1	29	14	16	8	6.5
CLM-8-QAK	M8	1.25	38	17	22	12.5	8.5
CLM-10-QAK	M10	1.5	51	21	25	12.5	10.5
CLM-12-QAK	M12	1.75	64	25	29	14	12.5
CLM-16-QAK	M16	2	76	32	32	16	16.5

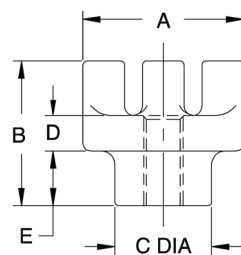
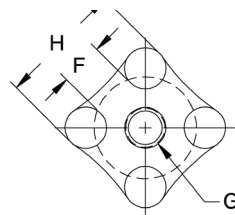
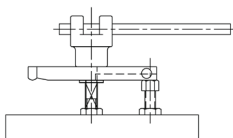
3

BAR KNOBS

CAST IRON, ZINC PLATED CLEAR CHROMATE



Heavy-duty knob that can be turned easily by hand, then tightened by inserting a bar between the prongs. Choose from three knob sizes, each available blank or with a choice of tapped holes.



INCH & METRIC

PART NO.	A	B	C DIA	D	E	F	G	H
CL-1-BK	2	2-1/8	1-1/4	1/2	7/8	7/16	BLANK	1-5/8
CL-2-BK							3/8-16	
CL-4-BK							1/2-13	
CL-6-BK							5/8-11	
CLM-2-BK	2-1/2	2-3/8	1-1/2	9/16	15/16	11/16	M10	2
CLM-4-BK							M12	
CLM-6-BK							M16	
CL-8-BK							BLANK	
CL-9-BK	3-1/2	2-3/8	2-1/8	9/16	15/16	1-5/16	1/2-13	2-7/8
CL-11-BK							5/8-11	
CL-13-BK							3/4-10	
CLM-9-BK							M12	
CLM-11-BK	3-1/2	2-3/8	2-1/8	9/16	15/16	1-5/16	M16	2-7/8
CLM-13-BK							M20	
CL-15-BK							BLANK	
CL-16-BK							3/4-10	
CL-18-BK	3-1/2	2-3/8	2-1/8	9/16	15/16	1-5/16	7/8-9	2-7/8
CL-20-BK							1"-8	
CLM-16-BK							M20	
CLM-20-BK							M24	

THREE-PRONG KNOBS

BLACK THERMOPLASTIC WITH BRASS INSERT

3



5/16-18 CL-850-TPK
3/8-16 CL-860-TPK



1/4-20 CL-640-TPK
5/16-18 CL-650-TPK
3/8-16 CL-660-TPK

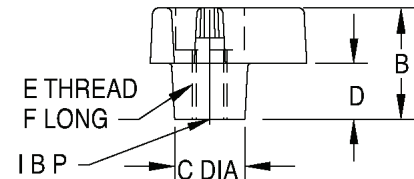
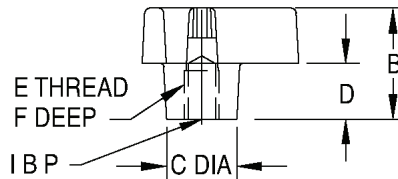
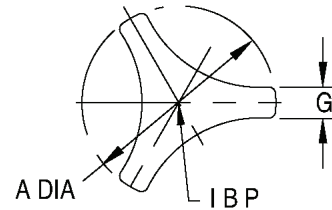


1/4-20 CL-440-TPK
5/16-18 CL-450-TPK



5/16-18 CL-851-TPK
3/8-16 CL-861-TPK

**Thermoplastic —
Tapped Through Hole**



THERMOPLASTIC — TAPPED (INCH)

PART NO.	A DIA	B	C DIA	D	E	F	G
CL-440-TPK	1-1/2	7/8	1/2	3/8	1/4-20	7/16	9/32
CL-450-TPK					5/16-18		
CL-640-TPK	2	1-1/16	5/8	1/2	1/4-20	7/16	3/8
CL-650-TPK					5/16-18		
CL-660-TPK	2-1/2	1-1/8	3/4	1/2	3/8-16	7/16	1/2
CL-850-TPK					5/16-18		
CL-860-TPK					3/8-16		

THERMOPLASTIC — TAPPED THROUGH HOLE (INCH)

PART NO.	A DIA	B	C DIA	D	E	F	G
CL-851-TPK	2-1/2	1-1/8	3/4	1/2	5/16-18	5/8	1/2
CL-861-TPK					3/8-16		

Modern three-prong design provides quick tightening and high torque. Textured non-slip, non-glare finish. Choice of three knob sizes. Molded-in brass insert provides superior thread strength. Non-standard thread sizes, reamed holes, molded-in studs, or special colors are available in quantities of 500 and above.

T-HANDLE KNOBS

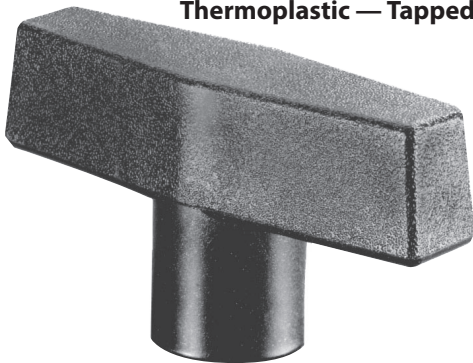
BLACK PHENOLIC PLASTIC OR THERMOPLASTIC
WITH BRASS INSERT

Phenolic — Tapped

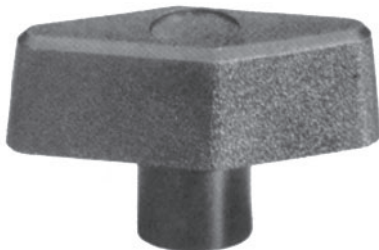


- 1/4-20 CL-632-TK
- 5/16-18 CL-642-TK
- 3/8-16 CL-652-TK
- 3/8-24 CL-654-TK
- M8 CLM-642-TK
- M10 CLM-652-TK

Thermoplastic — Tapped



- 1/4-20 CL-6320-TK
- 5/16-18 CL-6420-TK
- 3/8-16 CL-6520-TK
- M8 CLM-6420-TK
- M10 CLM-6520-TK

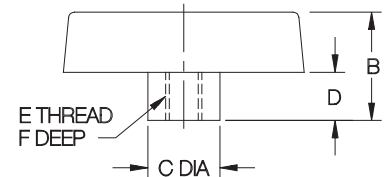
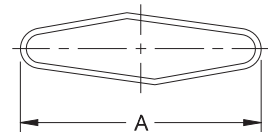
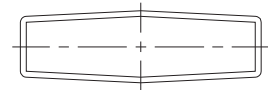


- 1/4-20 CL-432-TK
- 5/16-18 CL-442-TK
- 3/8-16 CL-452-TK
- M6 CLM-432-TK
- M8 CLM-442-TK



- 1/4-20 CL-232-TK
- M6 CLM-232-TK

T-Handle Knobs provide maximum leverage for heavy-duty clamping. Ideal for fastening fold-down handles and stands. Available in phenolic plastic (one knob size) for a shiny polished finish, or in thermoplastic (three knob sizes) for a textured non-slip, non-glare finish. Molded-in brass insert provides superior thread strength. Non-standard thread sizes, reamed holes, molded-in studs, or special colors (thermoplastic only) are available in quantities of 500 and above.



PHENOLIC — TAPPED (INCH & METRIC)

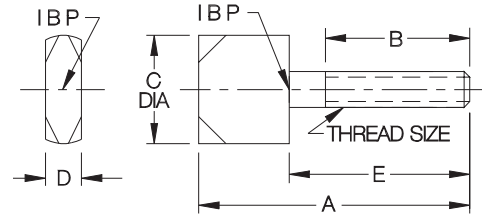
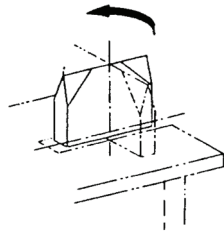
PART NO.	A	B	C DIA	D	E	F
CL-632-TK	2-1/2	2-1/2	2-1/2	2-1/2	1/4-20	5/8
CL-642-TK					5/16-18	
CL-652-TK					3/8-16	1/2
CL-654-TK					3/8-24	
CLM-642-TK					M8	5/8
CLM-652-TK					M10	1/2

THERMOPLASTIC — TAPPED (INCH & METRIC)

PART NO.	A	B	C DIA	D	E	F
CL-232-TK	1	7/8	1/2	3/8	1/4-20	7/16
CLM-232-TK					M6	
CL-432-TK	2	1-1/8	3/4	1/2	1/4-20	5/8
CL-442-TK					5/16-18	
CL-452-TK					3/8-16	1/2
CLM-432-TK					M6	
CLM-442-TK					M8	5/8
CL-6320-TK					2-1/2	1-1/4
CL-6420-TK	5/16-18					
CL-6520-TK	3/8-16	1/2				
CLM-6420-TK	M8		5/8			
CLM-6520-TK	M10	1/2				

QUARTER-TURN SCREWS

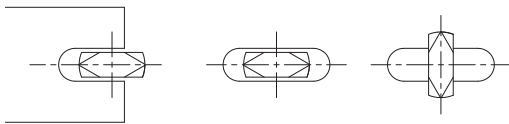
1215 STEEL, CARBURIZED-HARDENED, BLACK OXIDE FINISH



INCH

PART NO. HARDENED	PART NO. SOFT	THREAD PITCH	A	B	C DIA	D	E
CL-1-QTS	CL-10-QTS	#10-24	1-1/2	7/8	5/8	3/16	1
CL-2-QTS	CL-20-QTS	#10-32			1/2		
CL-3-QTS	CL-30-QTS	1/4-20	1-7/8	1	3/4	1/4	1-1/4
CL-4-QTS	CL-40-QTS	5/16-18	2-1/4	1-1/4	1	5/16	1-1/2
CL-5-QTS	CL-50-QTS	3/8-16	2-1/2			3/8	
CL-6-QTS	CL-60-QTS	1/2-13	2-3/4	1-1/2	1-1/4	1/2	1-3/4

Rotate screw 90 degrees (1/4 turn) to latch. Ideal for swing-away lids and jig plates. Beveled edges allow easy insertion into a slot. Also available soft (not carburized-hardened) for customizing as desired.



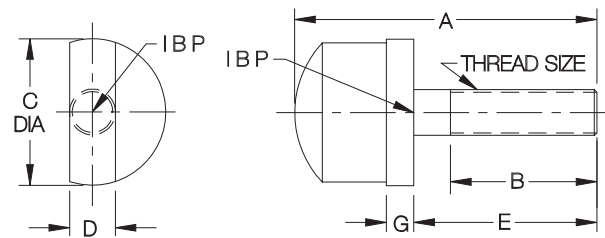
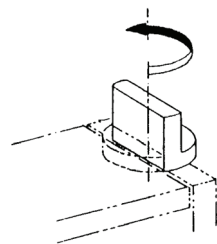
Use quarter-turn screws in either open or closed slots.

METRIC

PART NO.	THREAD SIZE	THREAD PITCH (mm)	A (mm)	B (mm)	C DIA (mm)	D (mm)	E (mm)
CLM-5-QTS	M5	.8	40	20	16	5	25
CLM-6-QTS	M6	1	50	25	19	6	30
CLM-8-QTS	M8	1.25	60	35	25.5	8	40
CLM-10-QTS	M10	1.5	65			10	
CLM-12-QTS	M12	1.75	70	40	32	12	45

HALF-TURN SCREWS

1215 STEEL, CARBURIZED-HARDENED, BLACK OXIDE FINISH



INCH

PART NO.	THREAD SIZE	A	B	C DIA	D	E	G
CL-1-HTS	#10-32	1-11/16	7/8	3/4	3/16	1	3/16
CL-2-HTS	1/4-20	2	1	3/4	1/4	1-1/4	
CL-3-HTS	5/16-18	2-1/16		1	5/16		
CL-4-HTS	3/8-16	2-11/16	11/2	1-1/16	3/8	1-3/4	1/4
CL-5-HT	1/2-13	2-3/4		1-1/4	1/2		

METRIC

PART NO.	THREAD SIZE	THREAD PITCH (mm)	A (mm)	B (mm)	C DIA (mm)	D (mm)	E (mm)	G (mm)
CLM-5-HTS	M5	.8	43	22	19	5	25	5
CLM-6-HTS	M6	1	49	24	19	6	30	5
CLM-8-HTS	M8	1.25	50	24	25.5	8	30	5
CLM-10-HTS	M10	1.5	69	39	27	10	45	6

Rotate screw 180 degrees (1/2 turn) to latch. Allows latching swing-away lids and jig plates without machining a slot.

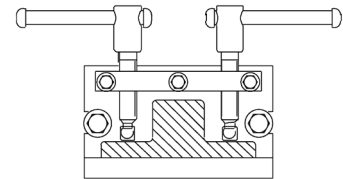
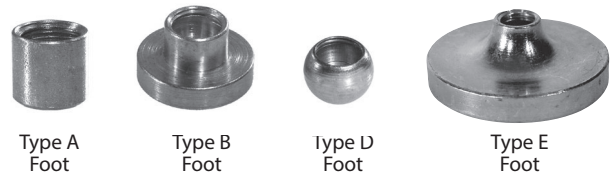
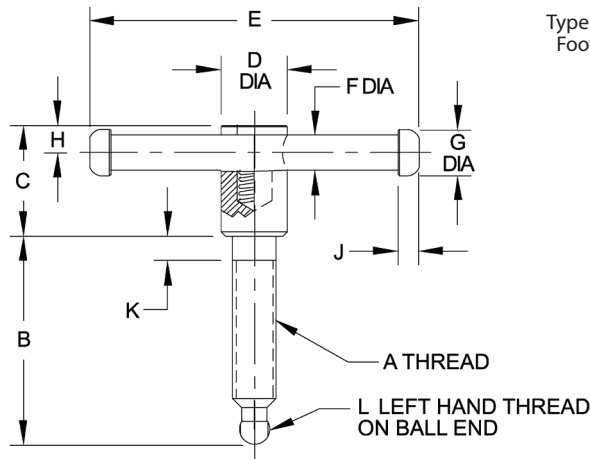
BAR-HANDLE SCREW CLAMPS

STEEL: 1215 STEEL BODY, CARBURIZED HARDENED, BLACK OXIDE FINISH. 1215 STEEL HANDLE, BLACK OXIDE FINISH.
300-SERIES STAINLESS STEEL SPRING. STAINLESS: 300-SERIES STAINLESS STEEL.



Screw clamp with a sliding bar handle for excellent leverage. The bar can be moved to any position, for convenient tightening, and is held in place by light spring force. These screw clamps accept all standard feet for swivel screws (INFO+: see page 119 for foot dimensions and specifications). Type A and B feet are also available in Delrin®, by adding "N" to the part number (examples: CL-620-BHSAN, CL-620-BHSA-SN). Available in screw sizes from 5/16-18 to 5/8-11 (M8 to M16 in metric), each in several lengths.

3



Sliding bar can be moved to any position for convenient tightening, such as when two clamps are close to each other.

GENERAL DIMENSIONS

A THREAD SIZE	C	D DIA	E	F DIA	G DIA	H	J	K	L
5/16-18 or M8	1-1/8	5/8	2-3/8	1/4	3/8	1/4	1/4	5/16	#12-28 LH
3/8-16 or M10	1-1/4	3/4	3-1/8	5/16	7/16	9/32	9/32	3/8	1/4-28 LH
1/2-13 or M12	1-3/8	13/16	3-15/16	3/8	1/2	11/32	11/32	3/8	5/16-24 LH
5/8-11 or M16	1-5/8	1	4-3/4	1/2	5/8	13/32	13/32	3/8	7/16-20 LH

STEEL (INCH)

A THREAD SIZE	B LENGTH	PART NO. WITHOUT FOOT	PART NO. WITH TYPE A SMALL FOOT	PART NO. WITH TYPE B LARGE FOOT	PART NO. WITH TYPE C VEE FOOT	PART NO. WITH TYPE D BALL FOOT	PART NO. WITH TYPE E EXTRA-LARGE FOOT
5/16-18	2	CL-520-BHS	CL-520-BHSA	CL-520-BHSB	CL-520-BHSC	CL-520-BHSD	—
	3	CL-530-BHS	CL-530-BHSA	CL-530-BHSB	CL-530-BHSC	CL-530-BHSD	—
3/8-16	2	CL-620-BHS	CL-620-BHSA	CL-620-BHSB	CL-620-BHSC	CL-620-BHSD	—
	3	CL-630-BHS	CL-630-BHSA	CL-630-BHSB	CL-630-BHSC	CL-630-BHSD	—
1/2-13	4	CL-640-BHS	CL-640-BHSA	CL-640-BHSB	CL-640-BHSC	CL-640-BHSD	—
	2	CL-820-BHS	CL-820-BHSA	CL-820-BHSB	CL-820-BHSC	CL-820-BHSD	CL-820-BHSE
5/8-11	3	CL-830-BHS	CL-830-BHSA	CL-830-BHSB	CL-830-BHSC	CL-830-BHSD	CL-830-BHSE
	4	CL-840-BHS	CL-840-BHSA	CL-840-BHSB	CL-840-BHSC	CL-840-BHSD	CL-840-BHSE
5/8-11	3	CL-1030-BHS	CL-1030-BHSA	CL-1030-BHSB	CL-1030-BHSC	CL-1030-BHSD	CL-1030-BHSE
	4	CL-1040-BHS	CL-1040-BHSA	CL-1040-BHSB	CL-1040-BHSC	CL-1040-BHSD	CL-1040-BHSE

CONTINUED ON NEXT PAGE

BAR-HANDLE SCREW CLAMPS

CONTINUED FROM PREVIOUS PAGE

STAINLESS STEEL (INCH)

5/16-18	2	CL-520-BHS	CL-520-BHSA	CL-520-BHSB	—	—	—
	3	CL-530-BHS	CL-530-BHSA	CL-530-BHSB	—	—	—
3/8-16	2	CL-620-BHS	CL-620-BHSA	CL-620-BHSB	—	—	—
	3	CL-630-BHS	CL-630-BHSA	CL-630-BHSB	—	—	—
1/2-13	2	CL-820-BHS	CL-820-BHSA	CL-820-BHSB	—	—	—
	3	CL-830-BHS	CL-830-BHSA	CL-830-BHSB	—	—	—
5/8-11	3	CL-1030-BHS	CL-1030-BHSA	CL-1030-BHSB	—	—	—
	4	CL-1040-BHS	CL-1040-BHSA	CL-1040-BHSB	—	—	—

STEEL (METRIC)

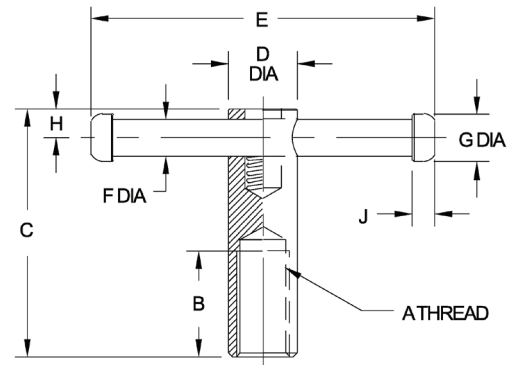
M8	1.97 (50mm)	CLM-850-BHS	CLM-850-BHSA	CLM-850-BHSB	CLM-850-BHSC	CLM-850-BHSD	—
	2.95 (75mm)	CLM-875-BHS	CLM-875-BHSA	CLM-875-BHSB	CLM-875-BHSC	CLM-875-BHSD	—
M10	1.97 (50mm)	CLM-1050-BHS	CLM-1050-BHSA	CLM-1050-BHSB	CLM-1050-BHSC	CLM-1050-BHSD	—
	3.94 (100mm)	CLM-10100-BHS	CLM-10100-BHSA	CLM-10100-BHSB	CLM-10100-BHSC	CLM-10100-BHSD	—
M12	1.97 (50mm)	CLM-1250-BHS	CLM-1250-BHSA	CLM-1250-BHSB	CLM-1250-BHSC	CLM-1250-BHSD	CLM-1250-BHSE
	3.94 (100mm)	CLM-12100-BHS	CLM-12100-BHSA	CLM-12100-BHSB	CLM-12100-BHSC	CLM-12100-BHSD	CLM-12100-BHSE
M16	2.76 (70mm)	CLM-1670-BHS	CLM-1670-BHSA	CLM-1670-BHSB	CLM-1670-BHSC	CLM-1670-BHSD	CLM-1670-BHSE
	4.33 (110mm)	CLM-16110-BHS	CLM-16110-BHSA	CLM-16110-BHSB	CLM-16110-BHSC	CLM-16110-BHSD	CLM-16110-BHSE

BAR-HANDLE NUTS

STEEL: 1215 STEEL BODY, CARBURIZED HARDENED, BLACK OXIDE FINISH. 1215 STEEL HANDLE, BLACK OXIDE FINISH. 300-SERIES STAINLESS STEEL SPRING. STAINLESS: 300-SERIES STAINLESS STEEL.



Extension nut with a sliding bar handle for excellent leverage. The bar can be moved to any position, for convenient tightening, and is held in place by light spring force. Available in thread sizes from 3/8-16 to 5/8-11 (M10 to M16 in metric).



STEEL (INCH)

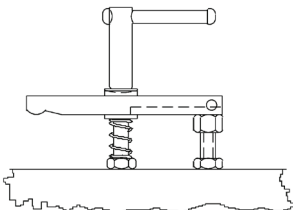
PART NO.	A	B	C	D DIA	E	F DIA	G DIA	H	J
CL-6-BHN	3/8-16	7/8	2-3/8	3/4	3-1/8	5/16	7/16	9/32	9/32
CL-8-BHN	1/2-13	1-1/8	2-3/4	13/16	3-15/16	3/8	1/2	11/32	5/16
CL-10-BHN	5/8-11	1-3/8	3-3/8	1	4-3/4	1/2	5/8	13/32	3/8

STAINLESS STEEL (INCH)

CL-6-BHN-S	3/8-16	7/8	2-3/8	3/4	3-1/8	5/16	7/16	9/32	9/32
CL-8-BHN-S	1/2-13	1-1/8	2-3/4	13/16	3-15/16	3/8	1/2	11/32	5/16
CL-10-BHN-S	5/8-11	1-3/8	3-3/8	1	4-3/4	1/2	5/8	13/32	3/8

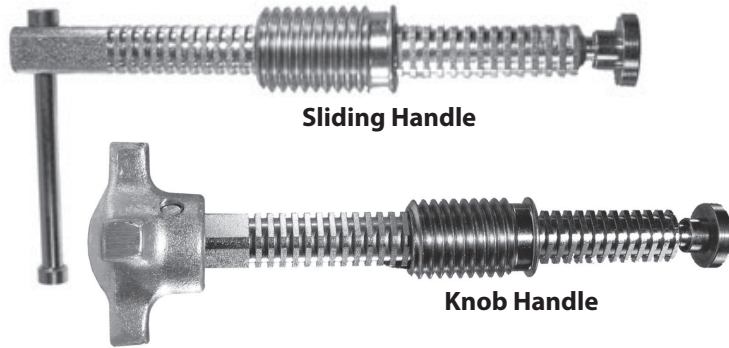
STEEL (METRIC)

PART NO.	A THREAD	THREAD PITCH (mm)	B (mm)	C (mm)	D DIA (mm)	E (mm)	F DIA (mm)	G DIA (mm)	H (mm)	J (mm)
CLM-10-BHN	M10	1.5	20	60	19	80	8	11	7	7
CLM-12-BHN	M12	1.75	25	70	20	100	10	12.5	9	8
CLM-16-BHN	M16	2	35	85	25	120	12.5	16	10	10



BAR-LOK QUICK-ACTING SCREW CLAMPS

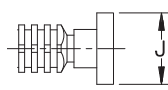
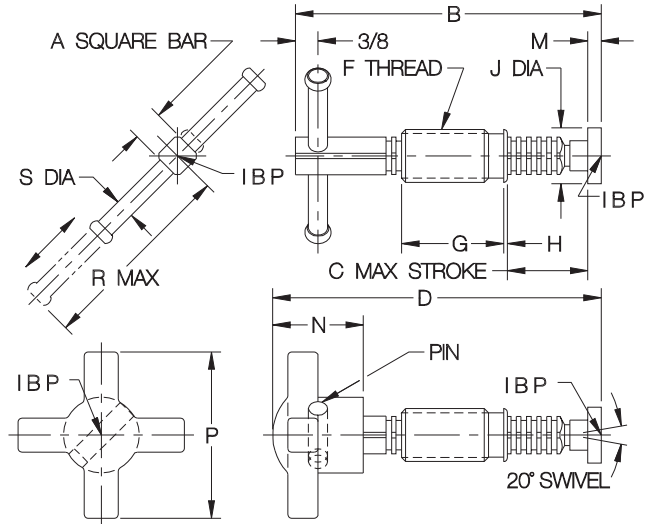
1215 STEEL, CARBURIZED-HARDENED, ZINC PLATED YELLOW CHROMATE
 KNOB HANDLE: 319 ALUMINUM ALLOY



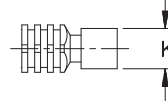
Sliding Handle

Knob Handle

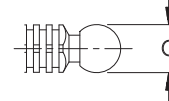
Definitely the best quick-acting screw clamp available anywhere! This patented sliding-bar design works smoothly and positively – just slide the bar forward, then twist to apply force. As strong as a standard screw clamp, but much faster. Choose either a comfortable knob handle or a sliding handle for extra leverage. Available in 3/8", 1/2", and 5/8" bar sizes, each in a choice of several lengths and foot styles. Ball and foot are threaded to allow easy installation and removal, a lefthand thread to positively prevent backout when turning the screw counterclockwise. Once the threads clear during installation, the foot rotates and pivots freely (20° included angle).



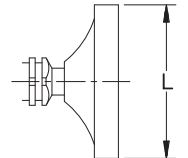
With standard foot:
 CL-14-BLK
 CL-14-BLKN (Delrin®)



With small foot, add A:
 CL-14-BLKA
 CL-14-BLKAN (Delrin®)



With ball foot, add -D:
 CL-14-BLKD



With large foot, add E:
 CL-14-BLKE

SLIDING HANDLE (INCH)

PART NO.	A	B	C	D	F THREAD	G	H	J DIA	K DIA	L DIA	M	N	P	Q	R	S DIA	OLD BAR-LOK NUMBER
CL-14-BLT	3/8	4	1-9/16	---	3/4-10	1-3/8	1/8	.750	.390	1.50	.187	---	---	.500	2-15/16	1/4	S-204-T
CL-15-BLT		5	2-9/16														S-205-T
CL-16-BLT		6	3-9/16														S-206-T
CL-25-BLT	1/2	5	2-3/16	---	7/8-9	1-11/16	1/16	.930	.500	2.00	.218	---	---	.625	3-5/16	5/16	M-205-T
CL-26-BLT		6	3-3/16														M-206-T
CL-28-BLT		8	5-3/16														M-208-T
CL-210-BLT		10	7-3/16														M-210-T
CL-212-BLT	12	9-3/16	M-212-T														
CL-35-BLT	5/8	5	2-3/16	---	1-1/8-7	1-11/16	1/16	.930	.500	2.00	.218	---	---	.625	3-1/4	5/16	H-205-T
CL-36-BLT		6	3-3/16														H-206-T
CL-38-BLT		8	5-3/16														H-208-T
CL-310-BLT		10	7-3/16														H-210-T
CL-312-BLT	12	9-3/16	H-212-T														

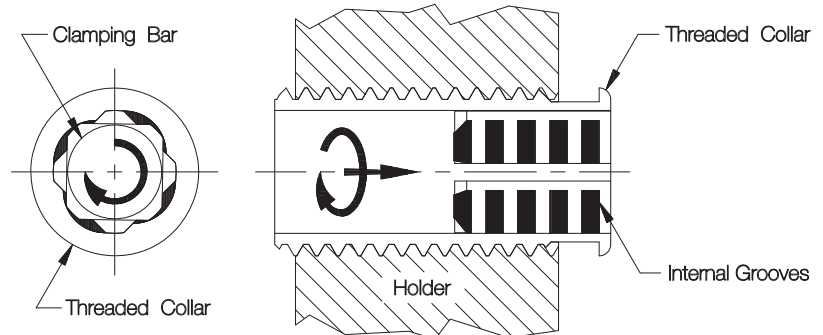
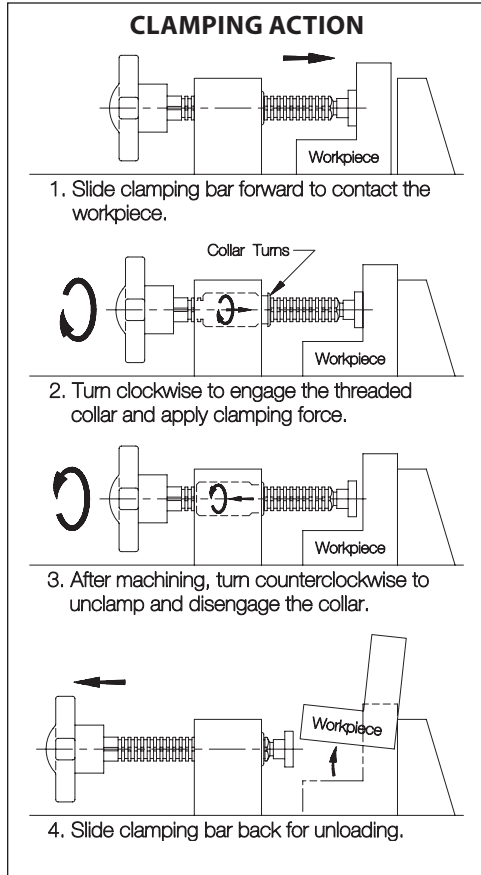
KNOB HANDLE (INCH)

CL-14-BLK	3/8	---	1-5/16	4-11/16	3/4-10	1-3/8	1/8	3/4	.390	1.50	.187	1-7/16	2-1/8	.500	---	---	---
CL-15-BLK			2-5/16	5-11/16													
CL-16-BLK			3-5/16	6-11/16													
CL-25-BLK	1/2	---	1-5/8	5-3/8	7/8-9	1-11/16	1/16	15/16	.500	2.00	.218	1-1/2	2-3/4	.625	---	---	---
CL-26-BLK			2-5/8	6-3/8													
CL-28-BLK			4-5/8	8-3/8													
CL-210-BLK			6-5/8	10-3/8													
CL-212-BLK	8-5/8	12-3/8															
CL-35-BLK	5/8	---	1-5/8	5-3/8	1-1/8-7	1-11/16	1/16	15/16	.500	2.00	.218	1-1/2	2-3/4	.625	---	---	---
CL-36-BLK			2-5/8	6-3/8													
CL-38-BLK			4-5/8	8-3/8													
CL-310-BLK			6-5/8	10-3/8													
CL-312-BLK	8-5/8	12-3/8															

BAR-LOK QUICK-ACTING SCREW CLAMPS

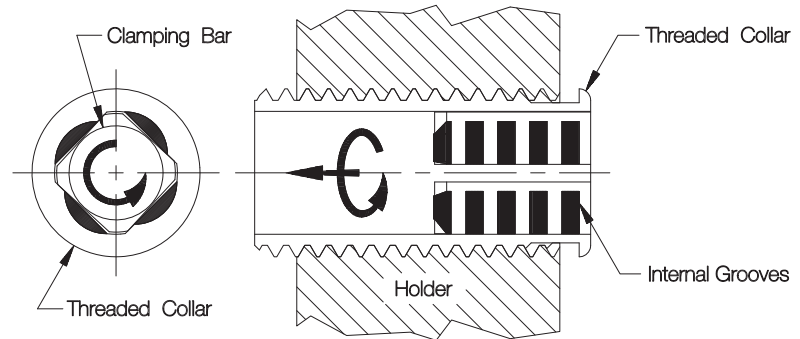
1215 STEEL, CARBURIZED-HARDENED, ZINC PLATED YELLOW CHROMATE
 KNOB HANDLE: 319 ALUMINUM ALLOY

3



Clockwise

Turning the clamping bar clockwise engages internal grooves in the threaded collar. Both components then turn together as a single unit to apply screw force.



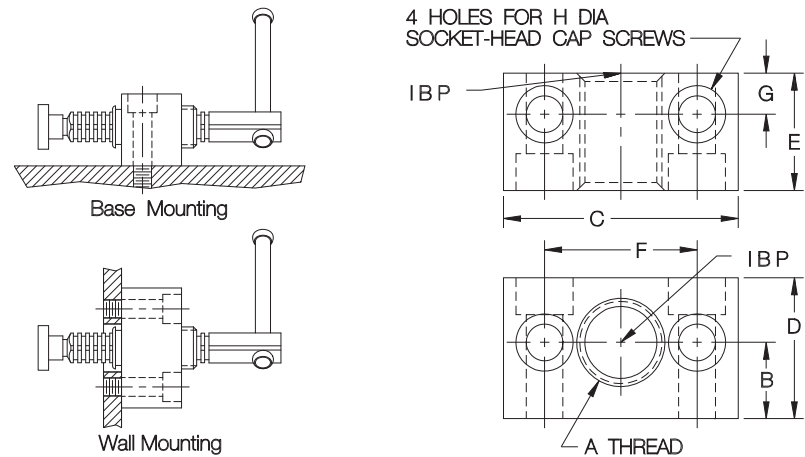
Counterclockwise

Turning the clamping bar clockwise engages internal grooves in the threaded collar. Both components then turn together as a single unit to apply screw force.



Mounting Block

Versatile mounting base made especially for Bar-Lok screw clamps. Attach with two Socket-Head Cap Screws. Two sets of mounting holes allow either base mounting or through-hole wall mounting.



MOUNTING BLOCKS

PART NO.	A THREAD	B	C	D	E	F	G	H DIA
CL-1-BLM	3/4-10	13/16	2-1/8	1-3/8	1-1/4	1-3/8	7/16	5/16 OR M8
CL-2-BLM	7/8-9	1	2-1/2	1-1/2	1-1/2	1-5/8	1/2	3/8 OR M10
CL-3-BLM	1-1/8-7	1	3-1/8	1-7/8	1-1/2	2-1/8	1/2	1/2 OR M12

THIS IS NO ORDINARY CLAMP

Floating Clamp from
Carr Lane Mfg.



See Page 305 for more information

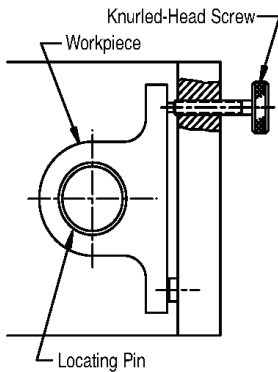
KNURLED HEAD SCREWS

STEEL: 1215, CARBURIZED-HARDENED, BLACK OXIDE FINISH.
 STAINLESS STEEL: 300-SERIES, PASSIVATED

3



Handy thumb screw. Knurled head provides a positive grip for finger tightening in light clamping applications.



STEEL (INCH)

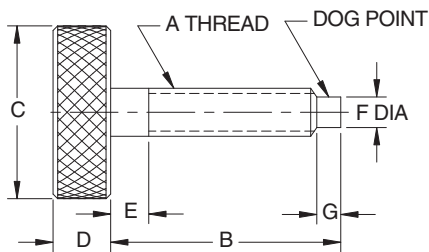
PART NO.	A THREAD	B	C DIA	D	E	F DIA	G
CL-1-KHS	#10-24	1	3/4	1/4	1/4	.12	.09
CL-2-KHS		1-1/2					
CL-3-KHS		2					
CL-1A-KHS	#10-32	1	1	5/16		.15	.12
CL-1A-KHS-1		1-3/8					
CL-2A-KHS		1-1/2					
CL-2A-KHS-1		1-5/8					
CL-3A-KHS	1/4-20	2	1	5/16		.15	.12
CL-4-KHS		1-1/2					
CL-4-KHS-1		1-3/8					
CL-4-KHS-2	5/16-18	1-3/4	1-1/8	3/8		.20	.16
CL-5-KHS		2					
CL-6-KHS	3/8-16	2-1/2	1-1/4	7/16		.25	.19
CL-7-KHS		1-1/2					
CL-7-KHS-1		1-3/4					
CL-8-KHS	1/2-13	2	1-1/4	1/2	.34	.25	
CL-9-KHS		2-1/2					
CL-10-KHS	3/8-16	3	1-1/4	7/16	.25	.19	
CL-11-KH		2-1/2					
CL-12-KHS	1/2-13	3	1-1/4	1/2	.34	.25	
CL-13-KHS		3					
CL-14-KHS	3-1/2						

STAINLESS STEEL (INCH)

PART NO.	A THREAD	B	C DIA	D	E	F DIA	G
CL-23207	#10-32	3/4	1/2	3/16	1/8	.12	.09
CL-23210		1					
CL-23212		1-1/4					
CL-23215	1/4-20	1-1/2	1	5/16	1/8	.15	.12
CL-23507		3/4					
CL-23510		1					
CL-23512		1-1/4					
CL-23515	5/16-18	1-1/2	1-1/8	3/8	3/16	.20	.16
CL-23520		2					
CL-23615		2-1/2					
CL-23620	3/8-16	2	1-1/4	7/16	3/16	.25	.19
CL-23625		2-1/2					
CL-23820	3/8-16	2	1-1/4	7/16	3/16	.25	.19
CL-23825		2-1/2					
CL-23830		3					

STAINLESS STEEL (METRIC)

PART NO.	A THREAD	THREAD PITCH (mm)	B (mm)	C DIA (mm)	D (mm)	E (mm)	F DIA (mm)	G (mm)
CLM-1-KHS	M5	.8	25	19	6.5	6.5	3.4	2.7
CLM-2-KHS-1		.85	35					
CLM-2-KHS		.8	40					
CLM-3-KHS	M6	1	50	25.5	8		4.4	3.3
CLM-4-KHS			40					
CLM-4-KHS-1			45					
CLM-5-KHS			50					
CLM-6-KHS	M8	1.25	65	28.5	9.5		5.9	4.6
CLM-7-KHS			40					
CLM-8-KHS-1			45					
CLM-8-KHS	M10	1.5	50	32	11		6.9	4.8
CLM-9-KHS			65					
CLM-10-KHS	M12	1.75	40	32	12.5		8.9	6.3
CLM-11-KHS			65					
CLM-12-KHS			75					
CLM-13-KHS	M12	1.75	75	32	12.5	8.9	6.3	
CLM-14-KHS			90					



BODIES FOR SWIVEL SCREWS

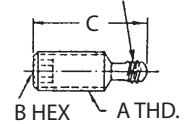
STEEL: 1215 OR 1144, HEAT TREATED, ZINC PLATED YELLOW CHROMATE OR BLACK OXIDE FINISH
 STAINLESS STEEL: 300-SERIES



Socket Head

Swivel-screw bodies that accept any of the feet shown on the opposite page. Socket-head version allows applying strong clamping force using a hex wrench. **Patent no. 2,531,892.**

D LEFT HAND THD.

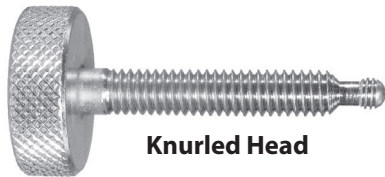


SOCKET HEAD (INCH)

PART NO. STEEL	PART NO. STEEL	PART NO. STEEL	A	B	C	D
ZINC PLATED	BLACK OXIDE	STAINLESS				
CL-1-BSS	CL-1-BSS-BO	—	1/4-20	1/8	15/32	#8-36 L.H.
CL-2-BSS	CL-2-BSS-BO	CL-2-BSS-S			23/32	
CL-3-BSS	CL-3-BSS-BO	CL-3-BSS-S			31/32	
CL-4-BSS	CL-4-BSS-BO	CL-4-BSS-S			1-15/32	
CL-5-BSS	CL-5-BSS-BO	—	5/16-18	5/32	23/32	#12-28 L.H.
CL-6-BSS	CL-6-BSS-BO	CL-6-BSS-S			31/32	
CL-7-BSS	CL-7-BSS-BO	CL-7-BSS-S			1-15/32	
CL-8-BSS	CL-8-BSS-BO	CL-8-BSS-S			1-31/32	
CL-9-BSS	CL-9-BSS-BO	—	3/8-16	3/16	11/16	1/4-28 L.H.
CL-10-BSS	CL-10-BSS-BO	—			15/16	
CL-11-BSS	CL-11-BSS-BO	CL-11-BSS-S			1-7/16	
CL-12-BSS	CL-12-BSS-BO	CL-12-BSS-S			1-15/16	
CL-13-BSS	CL-13-BSS-BO	CL-13-BSS-S	2-15/16	5/16-24 L.H.	5/16-24 L.H.	
CL-15-BSS	CL-15-BSS-BO	—	1-7/16			
CL-16-BSS	CL-16-BSS-BO	CL-16-BSS-S	1-15/16			
CL-17-BSS	CL-17-BSS-BO	CL-17-BSS-S	2-15/16			
CL-18-BSS	CL-18-BSS-BO	CL-18-BSS-S	3-15/16	5/8-11	5/16	7/16-20 L.H.
CL-20-BSS	CL-20-BSS-BO	—	1-15/16			
CL-21-BSS	CL-21-BSS-BO	—	2-15/16			
CL-22-BSS	CL-22-BSS-BO	—	3-15/16			
CL-23-BSS	CL-23-BSS-BO	—	4-15/16			

SOCKET HEAD (METRIC)

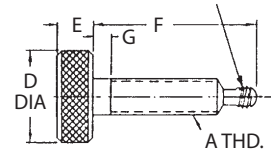
PART NO. STEEL	A	B	C	D
BLACK OXIDE				
CLM-1-BSS-BO	M6	3mm	.56	#8-36 L.H.
CLM-2-BSS-BO			.76	
CLM-3-BSS-BO			.95	
CLM-4-BSS-BO			1.54	
CLM-5-BSS-BO	M8	4mm	.74	#12-28 L.H.
CLM-6-BSS-BO			.94	
CLM-7-BSS-BO			1.53	
CLM-8-BSS-BO			1.92	
CLM-9-BSS-BO	M10	5mm	.73	1/4-28 L.H.
CLM-10-BSS-BO			.93	
CLM-11-BSS-BO			1.52	
CLM-12-BSS-BO			1.92	
CLM-13-BSS-BO	2.90	5/16-24 L.H.	5/16-24 L.H.	
CLM-15-BSS-BO	1.52			
CLM-16-BSS-BO	1.91			
CLM-17-BSS-BO	2.89			
CLM-18-BSS-BO	3.88	M16	8mm	7/16-20 L.H.
CLM-20-BSS-BO	1.89			
CLM-21-BSS-BO	2.87			
CLM-22-BSS-BO	3.86			
CLM-23-BSS-BO	4.85			



Knurled Head

Similar to the above screws, except with a knurled head for finger tightening.

H LEFT HAND THD.



KNURLED HEAD (INCH)

PART NO. STEEL	PART NO. STEEL	PART NO. STEEL	A	D DIA	E	F	G	H
ZINC PLATED	BLACK OXIDE	STAINLESS						
CL-24-BSS	CL-24-BSS-BO	CL-24-BSS-S	1/4-20	1	5/16	31/32	1/8	#8-36 L.H.
CL-25-BSS	CL-25-BSS-BO	CL-25-BSS-S				1-15/32		
CL-26-BSS	CL-26-BSS-BO	CL-26-BSS-S				1-31/32		
CL-27-BSS	CL-27-BSS-BO	CL-27-BSS-S				2-31/32		
CL-28-BSS	CL-28-BSS-BO	—	5/16-18	1-1/8	3/8	31/32	3/16	#12-28 L.H.
CL-29-BSS	CL-29-BSS-BO	CL-29-BSS-S				1-15/32		
CL-30-BSS	CL-30-BSS-BO	CL-30-BSS-S				1-31/32		
CL-31-BSS	CL-31-BSS-BO	CL-31-BSS-S				2-31/32		
CL-33-BSS	CL-33-BSS-BO	—	3/8-16	1-1/4	7/16	1-7/16	3/16	1/4-28 L.H.
CL-34-BSS	CL-34-BSS-BO	CL-34-BSS-S				1-15/16		
CL-35-BSS	CL-35-BSS-BO	CL-35-BSS-S				2-15/16		
CL-36-BSS	CL-36-BSS-BO	CL-36-BSS-S				3-15/16		
CL-38-BSS	CL-38-BSS-BO	—	1/2-13	1-1/4	1/2	1-7/16	3/16	5/16-24 L.H.
CL-39-BSS	CL-39-BSS-BO	—				1-15/16		
CL-40-BSS	CL-40-BSS-BO	CL-40-BSS-S				2-15/16		
CL-41-BSS	CL-41-BSS-BO	CL-41-BSS-S				3-15/16		
CL-43-BSS	CL-43-BSS-BO	—	5/8-11	1-1/4	1/2	1-15/16	3/16	7/16-20 L.H.
CL-44-BSS	CL-44-BSS-BO	—				2-15/16		
CL-45-BSS	CL-45-BSS-BO	—				3-15/16		
CL-46-BSS	CL-46-BSS-BO	—				4-15/16		

KNURLED HEAD (METRIC)

PART NO. STEEL	A	D DIA	E	F	G	H
BLACK OXIDE						
CLM-24-BSS-BO	M6	1	5/16	.95	1/8	#8-36 L.H.
CLM-25-BSS-BO				1.54		
CLM-26-BSS-BO				1.94		
CLM-27-BSS-BO				2.92		
CLM-28-BSS-BO	M8	1-1/8	3/8	.94	3/16	#12-28 L.H.
CLM-29-BSS-BO				1.53		
CLM-30-BSS-BO				1.92		
CLM-31-BSS-BO				2.91		
CLM-33-BSS-BO	M10	1-1/4	7/16	1.52	3/16	1/4-28 L.H.
CLM-34-BSS-BO				1.92		
CLM-35-BSS-BO				2.90		
CLM-36-BSS-BO				3.88		
CLM-38-BSS-BO	M12	1-1/4	1/2	1.52	3/16	5/16-24 L.H.
CLM-39-BSS-BO				1.91		
CLM-40-BSS-BO				2.89		
CLM-41-BSS-BO				3.88		
CLM-43-BSS-BO	M16	1-1/4	1/2	1.89	3/16	7/16-20 L.H.
CLM-44-BSS-BO				2.88		
CLM-45-BSS-BO				3.86		
CLM-46-BSS-BO				4.85		

FEET FOR SWIVEL SCREWS

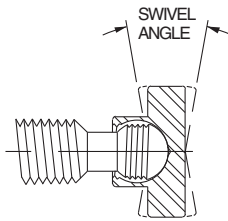
STEEL: (TYPES A, B, D, E), 1215 STEEL, ZINC PLATED YELLOW CHROMATE (BLACK OXIDE OPTIONAL)

STEEL (TYPE C): 1018 STEEL, CARBURIZED HARDENED, ZINC PLATED YELLOW CHROMATE (BLACK OXIDE OPTIONAL)

STAINLESS: 300-SERIES STAINLESS STEEL

DELRIN®: WHITE DELRIN® 500

Matching feet for the swivel-screw bodies on the opposite page. Types A, B, and D can be used with any body-thread size. Type E can be used with the largest two sizes.

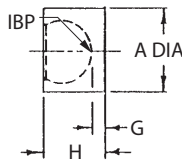


Ball and foot are threaded to allow easy installation and removal, a lefthand thread to positively prevent backout when turning the screw counterclockwise. Once the threads clear during installation, the foot rotates and pivots freely (20° included angle). Note: Delrin® feet are not threaded — they snap on and off.

3



Type A
Small Foot

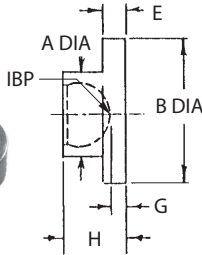


TYPE A — SMALL FOOT

PART NO. STEEL ZINC PLATED	PART NO. STEEL BLACK OXIDE	PART NO. STAINLESS STEEL	PART NO. DELRIN®	FITS BODY THREAD SIZE	A DIA	G	H
CL-1A-FSS	CL-1A-FSS-BO	CL-1A-FSS-S	CL-1A-FSSN	1/4-20 and M6	.187	.031	.200
CL-2A-FSS	CL-2A-FSS-BO	CL-2A-FSS-S	CL-2A-FSSN	5/16-18 and M8	.250	.046	.255
CL-3A-FSS	CL-3A-FSS-BO	CL-3A-FSS-S	CL-3A-FSSN	3/8-16 and M10	.298	.053	.315
CL-4A-FSS	CL-4A-FSS-BO	CL-4A-FSS-S	CL-4A-FSSN	1/2-13 and M12	.390	.058	.359
CL-5A-FSS	CL-5A-FSS-BO	CL-5A-FSS-S	CL-5A-FSSN	5/8-11 and M16	.500	.076	.470



Type B
Large Foot

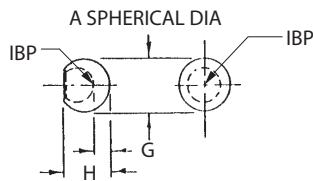


TYPE B — LARGE FOOT

PART NO. STEEL ZINC PLATED	PART NO. STEEL BLACK OXIDE	PART NO. STAINLESS STEEL	PART NO. DELRIN®	FITS BODY THREAD SIZE	A DIA	B DIA	E	G	H
CL-1B-FSS	CL-1B-FSS-BO	CL-1B-FSS-S	CL-1B-FSSN	1/4-20 and M6	.187	.375	.125	.131	.300
CL-2B-FSS	CL-2B-FSS-BO	CL-2B-FSS-S	CL-2B-FSSN	5/16-18 and M8	.250	.500	.156	.141	.350
CL-3B-FSS	CL-3B-FSS-BO	CL-3B-FSS-S	CL-3B-FSSN	3/8-16 and M10	.298	.562	.187	.177	.437
CL-4B-FSS	CL-4B-FSS-BO	CL-4B-FSS-S	CL-4B-FSSN	1/2-13 and M12	.390	.750	.187	.119	.420
CL-5B-FSS	CL-5B-FSS-BO	CL-5B-FSS-S	CL-5B-FSSN	5/8-11 and M16	.500	.930	.218	.121	.515



Type D
Ball Foot

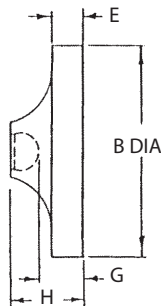


TYPE D — BALL FOOT

PART NO. STEEL ZINC PLATED	PART NO. STEEL BLACK OXIDE	FITS BODY THREAD SIZE	A DIA	G	H
CL-1D-FSS	CL-1D-FSS-BO	1/4-20 and M6	.250	.051	.220
CL-2D-FSS	CL-2D-FSS-BO	5/16-18 and M8	.312	.071	.280
CL-3D-FSS	CL-3D-FSS-BO	3/8-16 and M10	.375	.064	.325
CL-4D-FSS	CL-4D-FSS-BO	1/2-13 and M12	.500	.144	.443
CL-5D-FSS	CL-5D-FSS-BO	5/8-11 and M16	.620	.137	.531



Type E
Extra-Large Foot



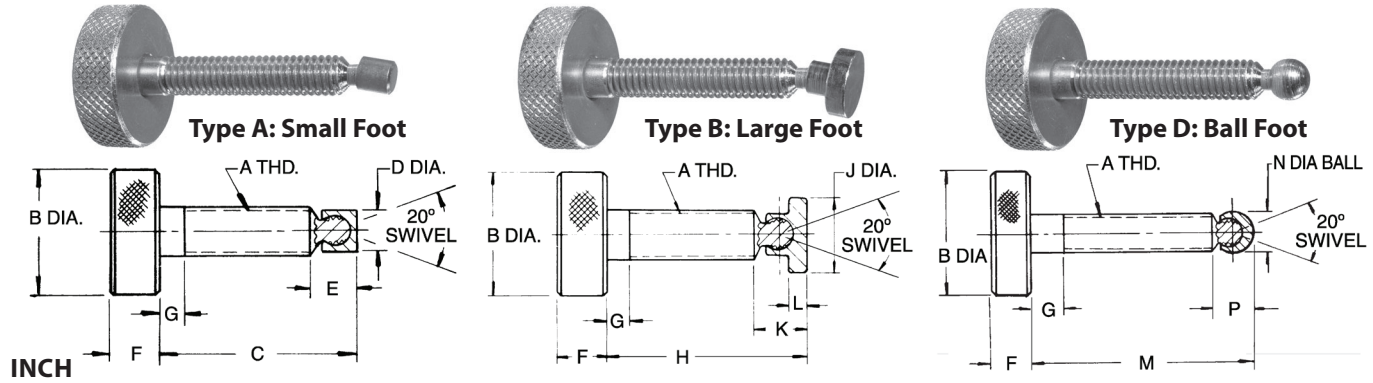
TYPE E — EXTRA-LARGE FOOT

PART NO. STEEL ZINC PLATED	PART NO. STEEL BLACK OXIDE	FITS BODY THREAD SIZE	B DIA	E	G	H
CL-4E-FSS	CL-4E-FSS-BO	1/2-13 and M12	1.50	1/4	.26	.56
CL-5E-FSS	CL-5E-FSS-BO	5/8-11 and M16	2.00	5/16	.31	.70

SWIVEL HEAD SCREWS

BODY: 1215 STEEL, CARBURIZED-HARDENED, ZINC PLATED YELLOW CHROMATE (OR 300-SERIES STAINLESS STEEL)
FOOT: 1215 STEEL, ZINC PLATED YELLOW CHROMATE (OR 300-SERIES STAINLESS STEEL, OR DELRIN®)

The steel version is optionally available with a black oxide finish by adding "-BO" to the part number (example: CL-1-SHS-BO). Type A and B feet are optionally available in Delrin® by adding "N" to the part number (examples: CL-1-SHSN, CL-1-SHS-BON, CL-1-SHS-SN).



TYPE A STEEL PART NO.*	TYPE A STAINLESS PART NO.	TYPE B STEEL PART NO.*	TYPE B STAINLESS PART NO.	TYPE D STEEL PART NO.*	A	B DIA	C	D DIA	E	F	G	H	J DIA	K	L	M	N	P
CL-1-SHS	CL-1-SHS-S	CL-17-SHS	CL-17-SHS-S	CL-47-SHS	1/4-20	1	1	3/16	9/32	5/16	1/8	1-3/32	3/8	23/64	1/8	1-1/32	1/4	5/16
CL-2-SHS	CL-2-SHS-S	CL-18-SHS	CL-18-SHS-S	CL-48-SHS			1-1/2					1-19/32				1-17/32		
CL-3-SHS	CL-3-SHS-S	CL-19-SHS	CL-19-SHS-S	CL-49-SHS			2					2-3/32				2-1/32		
CL-33-SHS	CL-33-SHS-S	CL-40-SHS	CL-40-SHS-S	CL-50-SHS			3					3-3/32				3-1/32		
CL-4-SHS	—	CL-20-SHS	—	CL-51-SHS	5/16-18	1-1/8	1	1/4	11/32	3/8	3/16	1-3/32	1/2	27/64	5/32	1-1/64	5/16	23/64
CL-5-SHS	CL-5-SHS-S	CL-21-SHS	CL-21-SHS-S	CL-52-SHS			1-1/2					1-19/32				1-33/64		
CL-6-SHS	CL-6-SHS-S	CL-22-SHS	CL-22-SHS-S	CL-53-SHS			2					2-3/32				2-1/64		
CL-34-SHS	CL-34-SHS-S	CL-41-SHS	CL-41-SHS-S	CL-54-SHS			3					3-3/32				3-1/64		
CL-8-SHS	—	CL-24-SHS	—	CL-56-SHS	3/8-16	1-1/4	1-1/2	19/64	3/8	7/16	3/16	1-5/8	9/16	5/8	3/16	1-9/16	3/8	7/16
CL-9-SHS	CL-9-SHS-S	CL-25-SHS	CL-25-SHS-S	CL-57-SHS			2					2-1/8				2-1/16		
CL-35-SHS	CL-35-SHS-S	CL-42-SHS	CL-42-SHS-S	CL-58-SHS			3					3-1/8				3-1/16		
CL-36-SHS	CL-36-SHS-S	CL-43-SHS	CL-43-SHS-S	CL-59-SHS			4					4-1/8				4-1/16		
CL-11-SHS	—	CL-27-SHS	—	CL-61-SHS	1/2-13	1-1/4	1-1/2	13/32	15/32	1/2	3/16	1-9/16	3/4	17/32	3/16	1-19/32	1/2	9/16
CL-12-SHS	—	CL-28-SHS	—	CL-62-SHS			2					2-1/16				2-3/32		
CL-13-SHS	CL-13-SHS-S	CL-29-SHS	CL-29-SHS-S	CL-63-SHS			3					3-1/16				3-3/32		
CL-37-SHS	CL-37-SHS-S	CL-44-SHS	CL-44-SHS-S	CL-64-SHS			4					4-1/16				4-3/32		
CL-15-SHS	—	CL-31-SHS	—	CL-66-SHS	5/8-11	1-1/4	2	1/2	5/8	1/2	3/16	2-3/64	15/16	21/32	7/32	2-1/8	5/8	11/16
CL-16-SHS	—	CL-32-SHS	—	CL-67-SHS			3					3-3/64				3-1/8		
CL-38-SHS	—	CL-45-SHS	—	CL-68-SHS			4					4-3/64				4-1/8		
CL-39-SHS	—	CL-46-SHS	—	CL-69-SHS			5					5-3/64				5-1/8		

METRIC

CLM-1-SHS-BO	—	CLM-17A-SHS-BO	—	CLM-47-SHS-BO	M6	1	.98	3/16	9/32	5/16	1/8	1.08	3/8	23/64	1/8	1.03	1/4	5/16
CLM-2-SHS-BO	—	CLM-18A-SHS-BO	—	CLM-48-SHS-BO			1.57					1.67				1.62		
CLM-3-SHS-BO	—	CLM-19-SHS-BO	—	CLM-49-SHS-BO			1.97					2.07				2.02		
CLM-4-SHS-BO	—	CLM-40-SHS-BO	—	CLM-50-SHS-BO			2.95					3.05				3.00		
CLM-5-SHS-BO	—	CLM-20-SHS-BO	—	CLM-51-SHS-BO	M8	1-1/8	.98	1/4	11/32	3/8	3/16	1.08	1/2	27/64	5/32	1.05	5/16	23/64
CLM-6-SHS-BO	—	CLM-21-SHS-BO	—	CLM-52-SHS-BO			1.57					1.67				1.64		
CLM-7-SHS-BO	—	CLM-22-SHS-BO	—	CLM-53-SHS-BO			1.97					2.06				2.03		
CLM-8-SHS-BO	—	CLM-41-SHS-BO	—	CLM-54-SHS-BO			2.95					3.05				3.02		
CLM-9-SHS-BO	—	CLM-24-SHS-BO	—	CLM-56-SHS-BO	M10	1-1/4	1.57	19/64	3/8	7/16	3/16	1.70	9/16	5/8	3/16	1.61	3/8	7/16
CLM-10-SHS-BO	—	CLM-25-SHS-BO	—	CLM-57-SHS-BO			1.97					2.10				2.01		
CLM-11-SHS-BO	—	CLM-42-SHS-BO	—	CLM-58-SHS-BO			2.95					3.08				2.99		
CLM-12-SHS-BO	—	CLM-43-SHS-BO	—	CLM-59-SHS-BO			3.94					4.06				3.97		
CLM-11A-SHS-BO	—	CLM-27-SHS-BO	—	CLM-61-SHS-BO	M12	1-1/4	1.57	13/32	15/32	1/2	3/16	1.64	3/4	17/32	3/16	1.69	1/2	9/16
CLM-12A-SHS-BO	—	CLM-28-SHS-BO	—	CLM-62-SHS-BO			1.97					2.03				2.08		
CLM-13-SHS-BO	—	CLM-29-SHS-BO	—	CLM-63-SHS-BO			2.95					3.01				3.06		
CLM-14-SHS-BO	—	CLM-44-SHS-BO	—	CLM-64-SHS-BO			3.94					4.00				4.05		
CLM-15-SHS-BO	—	CLM-31-SHS-BO	—	CLM-66-SHS-BO	M16	1-1/4	1.97	1/2	5/8	1/2	3/16	2.01	15/16	21/32	7/32	2.06	5/8	11/16
CLM-16-SHS-BO	—	CLM-32-SHS-BO	—	CLM-67-SHS-BO			2.95					3.00				3.05		
CLM-17-SHS-BO	—	CLM-45-SHS-BO	—	CLM-68-SHS-BO			3.94					3.98				4.03		
CLM-18-SHS-BO	—	CLM-46-SHS-BO	—	CLM-69-SHS-BO			4.92					4.97				5.02		

* Inch sizes are available zinc plated or with black oxide finish. Metric sizes are available only with black oxide finish (-BO only).

SWIVEL SCREW CLAMPS

BODY: 1215 OR 1144 STEEL, HEAT TREATED, ZINC PLATED YELLOW CHROMATE (OR 300-SERIES STAINLESS STEEL)
 FOOT: 1215 STEEL, ZINC PLATED YELLOW CHROMATE (OR 300-SERIES STAINLESS STEEL, OR DELRIN®)

The steel version is optionally available with black oxide finish by adding "-BO" to the part number (example: CL-2-SSC-BO). Type A and B feet are optionally available in Delrin® by adding "N" to the part number (examples: CL-2-SSCN, CL-2-SSC-BON, CL-2-SSC-SN).



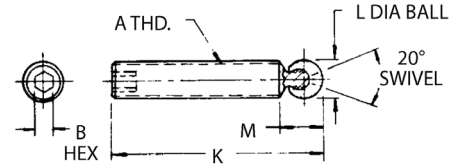
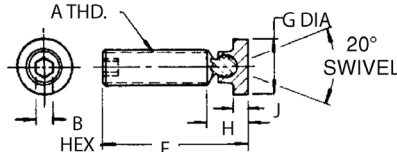
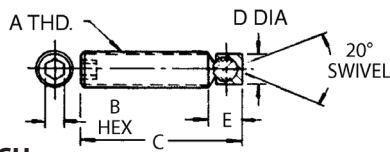
Type A: Small Foot



Type B: Large Foot



Type D: Ball Foot



INCH

TYPE A STEEL PART NO.*	TYPE A STAINLESS PART NO.	TYPE B STEEL PART NO.*	TYPE B STAINLESS PART NO.	TYPE D STEEL PART NO.*	A	B	C	D DIA	E	F	G DIA	H	J	K	L DIA	M
CL-1-SSC	—	CL-20-SSC	—	CL-47-SSC	1/4-20	1/8	1/2	3/16	9/32	19/32	3/8	23/64	1/8	.69	1/4	5/16
CL-2-SSC	CL-2-SSC-S	CL-21-SSC	CL-21-SSC-S	CL-48-SSC			3/4			27/32				.89		
CL-3-SSC	CL-3-SSC-S	CL-22-SSC	CL-22-SSC-S	CL-49-SSC			1			1-3/32				1.08		
CL-4-SSC	CL-4-SSC-S	CL-23-SSC	CL-23-SSC-S	CL-50-SSC			1-1/2			1-19/32				1.67		
CL-5-SSC	—	CL-24-SSC	—	CL-51-SSC	5/16-18	5/32	3/4	1/4	11/32	27/32	1/2	27/64	5/32	.88	5/16	23/64
CL-6-SSC	CL-6-SSC-S	CL-25-SSC	CL-25-SSC-S	CL-52-SSC			1			1-3/32				1.08		
CL-7-SSC	CL-7-SSC-S	CL-26-SSC	CL-26-SSC-S	CL-53-SSC			1-1/2			1-19/32				1.67		
CL-8-SSC	CL-8-SSC-S	CL-27-SSC	CL-27-SSC-S	CL-54-SSC			2			2-3/32				2.06		
CL-9-SSC	—	CL-28-SSC	—	CL-55-SSC	3/8-16	3/16	3/4	19/64	3/8	7/8	9/16	5/8	3/16	.91	3/8	7/16
CL-10-SSC	—	CL-29-SSC	—	CL-56-SSC			1			1-1/8				1.11		
CL-11-SSC	CL-11-SSC-S	CL-30-SSC	CL-30-SSC-S	CL-57-SSC			1-1/2			1-5/8				1.70		
CL-12-SSC	CL-12-SSC-S	CL-31-SSC	CL-31-SSC-S	CL-58-SSC			2			2-1/8				2.10		
CL-39-SSC	CL-39-SSC-S	CL-43-SSC	CL-43-SSC-S	CL-59-SSC	1/2-13	1/4	3	13/32	15/32	3-1/8	3/4	17/32	3/16	3.08	1/2	9/16
CL-14-SSC	—	CL-33-SSC	—	CL-61-SSC			1-1/2			1-9/16				1.64		
CL-15-SSC	CL-15-SSC-S	CL-34-SSC	CL-34-SSC-S	CL-62-SSC			2			2-1/16				2.03		
CL-16-SSC	CL-16-SSC-S	CL-35-SSC	CL-35-SSC-S	CL-63-SSC			3			3-1/16				3.01		
CL-40-SSC	CL-40-SSC-S	CL-44-SSC	CL-44-SSC-S	CL-64-SSC	5/8-11	5/16	4	1/2	5/8	4-1/16	15/16	21/32	7/32	4.00	5/8	11/16
CL-18-SSC	—	CL-37-SSC	—	CL-66-SSC			2			2-3/64				2.01		
CL-19-SSC	—	CL-38-SSC	—	CL-67-SSC			3			3-3/64				2.99		
CL-41-SSC	—	CL-45-SSC	—	CL-68-SSC			4			4-3/64				3.98		
CL-42-SSC	—	CL-46-SSC	—	CL-69-SSC	5	5-3/64	4.97									

METRIC

CLM-1-SSC-BO	—	CLM-20A-SSC-BO	—	CLM-47-SSC-BO	M6	3mm	.59	3/16	9/32	.69	3/8	23/64	1/8	.69	1/4	5/16
CLM-2-SSC-BO	—	CLM-21A-SSC-BO	—	CLM-48-SSC-BO			.79			.89				.89		
CLM-3-SSC-BO	—	CLM-22-SSC-BO	—	CLM-49-SSC-BO			.98			1.08				1.08		
CLM-4-SSC-BO	—	CLM-23-SSC-BO	—	CLM-50-SSC-BO			1.57			1.67				1.67		
CLM-5-SSC-BO	—	CLM-24-SSC-BO	—	CLM-51-SSC-BO	M8	4mm	.79	1/4	11/32	.88	1/2	27/64	5/32	.88	5/16	23/64
CLM-6-SSC-BO	—	CLM-25-SSC-BO	—	CLM-52-SSC-BO			.98			1.08				1.08		
CLM-7-SSC-BO	—	CLM-26-SSC-BO	—	CLM-53-SSC-BO			1.57			1.67				1.67		
CLM-8-SSC-BO	—	CLM-27-SSC-BO	—	CLM-54-SSC-BO			1.97			2.06				2.06		
CLM-9-SSC-BO	—	CLM-28-SSC-BO	—	CLM-55-SSC-BO	M10	5mm	.79	19/64	3/8	.91	9/16	5/8	3/16	.91	3/8	7/16
CLM-10-SSC-BO	—	CLM-29-SSC-BO	—	CLM-56-SSC-BO			.98			1.11				1.11		
CLM-11-SSC-BO	—	CLM-30-SSC-BO	—	CLM-57-SSC-BO			1.57			1.70				1.70		
CLM-12-SSC-BO	—	CLM-31-SSC-BO	—	CLM-58-SSC-BO			1.97			2.10				2.10		
CLM-13-SSC-BO	—	CLM-32-SSC-BO	—	CLM-59-SSC-BO	M12	6mm	2.95	13/32	15/32	3.08	3/4	17/32	3/16	3.08	1/2	9/16
CLM-14-SSC-BO	—	CLM-33-SSC-BO	—	CLM-61-SSC-BO			1.57			1.64				1.64		
CLM-15-SSC-BO	—	CLM-34-SSC-BO	—	CLM-62-SSC-BO			1.97			2.03				2.03		
CLM-16-SSC-BO	—	CLM-35-SSC-BO	—	CLM-63-SSC-BO			2.95			3.01				3.01		
CLM-17-SSC-BO	—	CLM-36-SSC-BO	—	CLM-64-SSC-BO	M16	8mm	3.94	1/2	5/8	4.00	15/16	21/32	7/32	4.00	5/8	11/16
CLM-18-SSC-BO	—	CLM-37-SSC-BO	—	CLM-66-SSC-BO			1.97			2.01				2.01		
CLM-19-SSC-BO	—	CLM-38-SSC-BO	—	CLM-67-SSC-BO			2.95			2.99				2.99		
CLM-20-SSC-BO	—	CLM-39-SSC-BO	—	CLM-68-SSC-BO			3.94			3.98				3.98		
CLM-21-SSC-BO	—	CLM-40-SSC-BO	—	CLM-69-SSC-BO	4.92	4.97	4.97									

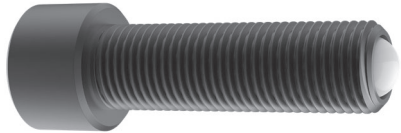
* Inch sizes are available zinc plated or with black oxide finish. Metric sizes are available only with black oxide finish (-BO only).

BALL-END THRUST SCREWS

BODY: ALLOY STEEL, BLACK OXIDE FINISH
BALL: 440C STAINLESS STEEL OR WHITE DELRIN® 500



**Rolling Ball
(Stainless Steel)**



**Rolling Ball
(Delrin)**

New item!

Ball-End Thrust Screws are heavy-duty screw clamps with a hardened stainless-steel ball contained in the end. Available with either a spherical rolling ball or a swivel ball with a flat contact surface. Both ball options are optionally available in Delrin material. These thrust screws have a large head and large hex-socket for excellent strength.

The rolling-ball version shown above is available in thread sizes from 1/4-20 to 5/8-11 (M6 to M16 in metric), each in a choice of two lengths.

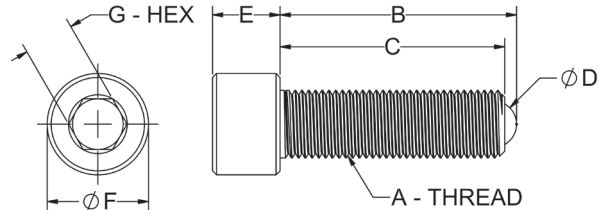


**Swivel Ball with Flat
(Stainless Steel)**



**Swivel Ball with Flat
(Delrin)**

The swivel-ball version shown here is available in thread sizes from 3/8-16 to 5/8-11 (M10 to M16 in metric), each in a choice of two lengths.

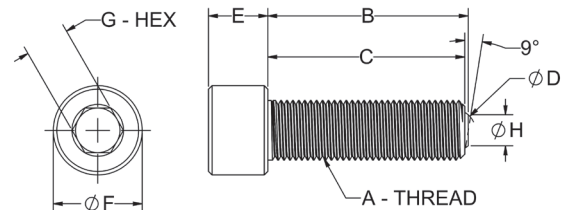


ROLLING BALL (INCH)

PART NO.		A THREAD	B	C	D DIA	E	F DIA	G
STAINLESS STEEL BALL	DELRIN BALL							
CL-4-BTS-1.00	CL-4-BTSN-1.00	1/4-20	1.03	1	5/32	.25	.38	3/16
CL-4-BTS-2.00	CL-4-BTSN-2.00	1/4-20	2.03	2	5/32	.25	.38	3/16
CL-6-BTS-2.00	CL-6-BTSN-2.00	3/8-16	2.06	2	1/4	.38	.56	5/16
CL-6-BTS-3.00	CL-6-BTSN-3.00	3/8-16	3.06	3	1/4	.38	.56	5/16
CL-8-BTS-3.00	CL-8-BTSN-3.00	1/2-13	3.12	3	11/32	.50	.75	3/8
CL-8-BTS-4.00	CL-8-BTSN-4.00	1/2-13	4.12	4	11/32	.50	.75	3/8
CL-80-BTS-1.75	CL-80-BTSN-1.75	1/2-20 Fine	1.87	1-3/4	11/32	.50	.75	3/8
CL-10-BTS-4.00	CL-10-BTSN-4.00	5/8-11	4.15	4	7/16	.63	.94	1/2
CL-10-BTS-5.00	CL-10-BTSN-5.00	5/8-11	5.15	5	7/16	.63	.94	1/2

ROLLING BALL (METRIC)

PART NO.		A THREAD	THREAD PITCH (mm)	B (mm)	C (mm)	D DIA (mm)	E (mm)	F DIA (mm)	G (mm)
STAINLESS STEEL BALL	DELRIN BALL								
CLM-6-BTS-25	CLM-6-BTSN-25	M6	1	26	25	3.97	6	10	5
CLM-6-BTS-50	CLM-6-BTSN-50	M6	1	51	50	3.97	6	10	5
CLM-10-BTS-50	CLM-10-BTSN-50	M10	1.5	52.4	50	7.14	10	16	8
CLM-10-BTS-75	CLM-10-BTSN-75	M10	1.5	77.4	75	7.14	10	16	8
CLM-12-BTS-75	CLM-12-BTSN-75	M12	1.75	77.7	75	8.73	12	18	10
CLM-12-BTS-100	CLM-12-BTSN-100	M12	1.75	102.7	100	8.73	12	18	10
CLM-16-BTS-100	CLM-16-BTSN-100	M16	2	103.9	100	11.11	16	24	14
CLM-16-BTS-125	CLM-16-BTSN-125	M16	2	128.9	125	11.11	16	24	14



SWIVEL BALL WITH FLAT (INCH)

PART NO.		A THREAD	B	C	D DIA	E	F DIA	G	H DIA
STAINLESS STEEL BALL	DELRIN BALL								
CL-6-BTSF-2.00	CL-6-BTSFN-2.00	3/8-16	2.03	2	1/4	.38	.56	5/16	.16
CL-6-BTSF-3.00	CL-6-BTSFN-3.00	3/8-16	2.03	3	1/4	.38	.56	5/16	.16
CL-8-BTSF-3.00	CL-8-BTSFN-3.00	1/2-13	3.06	3	11/32	.50	.75	3/8	.24
CL-8-BTSF-4.00	CL-8-BTSFN-4.00	1/2-13	4.06	4	11/32	.50	.75	3/8	.24
CL-80-BTSF-1.75	CL-80-BTSFN-1.75	1/2-20 Fine	1.81	1-3/4	11/32	.50	.75	3/8	.24
CL-10-BTSF-4.00	CL-10-BTSFN-4.00	5/8-11	4.06	4	7/16	.63	.94	1/2	.35
CL-10-BTSF-5.00	CL-10-BTSFN-5.00	5/8-11	5.06	5	7/16	.63	.94	1/2	.35

SWIVEL BALL WITH FLAT (METRIC)

PART NO.		A THREAD	THREAD PITCH (mm)	B (mm)	C (mm)	D DIA (mm)	E (mm)	F DIA (mm)	G (mm)
STAINLESS STEEL BALL	DELRIN BALL								
—	CLM-6-BTSN-25	M6	1	26	25	3.97	6	10	5
—	CLM-6-BTSN-50	M6	1	51	50	3.97	6	10	5
CLM-10-BTSF-50	CLM-10-BTSN-50	M10	1.5	51.1	50	7.14	10	16	8
CLM-10-BTSF-75	CLM-10-BTSN-75	M10	1.5	76.1	75	7.14	10	16	8
CLM-12-BTSF-75	CLM-12-BTSN-75	M12	1.75	76.5	75	8.73	12	18	10
CLM-12-BTSF-100	CLM-12-BTSN-100	M12	1.75	101.5	100	8.73	12	18	10
CLM-16-BTSF-100	CLM-16-BTSN-100	M16	2	101.6	100	11.11	16	24	14
CLM-16-BTSF-125	CLM-16-BTSN-125	M16	2	126.6	125	11.11	16	24	14

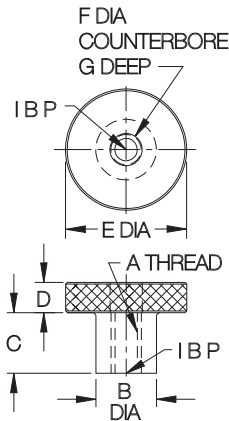
KNURLED KNOBS

STEEL: 1215, CARBURIZED-HARDENED, BLACK OXIDE FINISH.
 STAINLESS STEEL: 300-SERIES, PASSIVATED

3



High-quality knurled-head knob provides a positive grip for quick finger tightening in light clamping applications. Available in steel with a black oxide finish or stainless steel.



STEEL (INCH)

PART NO.	A	B DIA	C	D	E DIA	F DIA	G
CL-4-KK	1/4-20	5/8	1/2	1/4	1	NONE	NONE
CL-5-KK	5/16-18	5/8	1/2	5/16	1-1/4		
CL-6-KK	3/8-16	3/4	5/8	1/2	1-1/4		
CL-8-KK	1/2-13	1	3/4	1/2	1-1/2		

STAINLESS STEEL (INCH)

PART NO.	A	B DIA	C	D	E DIA	F DIA	G
CL-16312	#10-24	3/8	1/4	3/16	1/2	NONE	NONE
CL-16322			1/2			13/64	1/4
CL-16314			1/4	3/16	1	NONE	NONE
CL-16324			1/2			13/64	1/4
CL-16412	#10-32	3/8	1/4	3/16	1/2	NONE	NONE
CL-16422			1/2			13/64	1/4
CL-16414			1/4	3/16	1	NONE	NONE
CL-16424			1/2			13/64	1/4
CL-16513	1/4-20	1/2	1/4	1/4	3/4	NONE	NONE
CL-16514			1/4			NONE	NONE
CL-16524			1/2	1/4	1	17/64	1/4
CL-16534			3/4			1/2	
CL-16625	5/16-18	5/8	1/2	5/16	1-1/4	21/64	1/4
CL-16635			3/4			1/2	
CL-16725	3/8-16	3/4	1/2	3/8	1-1/4	25/64	1/4
CL-16735			3/4			1/2	
CL-8-KK-S	1/2-13	1	3/4	1/2	1-1/2	NONE	NONE

STEEL (METRIC)

PART NO.	A THREAD	THREAD PITCH (mm)	B DIA (mm)	C (mm)	D (mm)	E DIA (mm)	F DIA	G
CLM-5-KK	M5	.8	10	7.5	4	20	None	None
CLM-6-KK	M6	1	12	10	5	24		
CLM-8-KK	M8	1.25	16	12	6	30		
CLM-10-KK	M10	1.5						
CLM-12-KK	M12	1.75	20	15	8	40		

STAINLESS STEEL (METRIC)

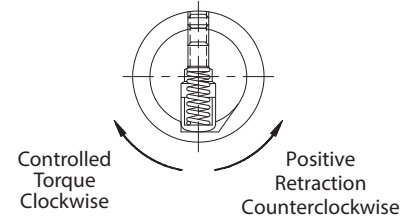
PART NO.	A THREAD	THREAD PITCH (mm)	B DIA (mm)	C (mm)	D (mm)	E DIA (mm)	F DIA	G
CLM-6-KK-S	M6	1	12	10	5	24	None	None
CLM-10-KK-S	M10	1.5	20	15	8	36		

ADJUSTABLE-TORQUE THUMB SCREWS

SCREW: 1215 STEEL, CARBURIZED-HARDENED, BLACK OXIDE FINISH

KNOB: 1215 STEEL, BLACK OXIDE FINISH

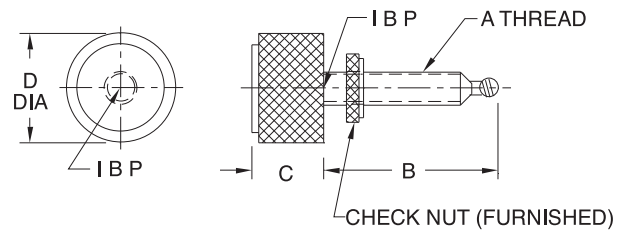
SPRING: MUSIC WIRE OR STAINLESS STEEL 302



Knurled-head thumb screw that exerts positive, repeatable force. Clockwise, the knob declutches and turns freely when you reach the desired torque. Counterclockwise, the knob locks for positive retraction. Adjustable-Torque Thumb Screws are furnished with your choice of swivel foot, and a Knurled Check Nut.

To set desired force, first remove the outer cover screw at the side of the knob, to expose the adjustment screw. Next, insert a hex wrench to turn the adjustment screw until desired torque is achieved. Reinstall the outer cover screw when finished. Torque can be adjusted from 3 to 6 inch-lbs, resulting in a contact force of 10 to 125 lbs, but these values are approximate. Force can vary +/- 30% depending on lubrication and other operating conditions.

Choice of four foot types. Adjustable-Torque Thumb Screws use our patented left-hand-thread swivel-foot system. The ball end of the body screws into the foot for easy installation and removal. Once the ball threads pass beyond the foot threads, the foot can rotate and pivot freely (20° total angle). Foot threads are left-hand to positively prevent accidental backout during use. Delrin® feet are optional for types A and B. To order with a Delrin® foot, add "N" to the part number, e.g. CL-415-TSAN. Note: Delrin® feet are not threaded – they snap on and off.



INCH

PART NO.				A	B	C	D DIA	ADJUSTMENT RANGE	
DOG POINT	A FOOT	B FOOT	D FOOT					TORQUE (IN.-LBS.)	END FORCE (LBS)*
CL-312-TS	—	—	—	#10-24	1-1/4	21/32	15/16	3-6	10-125
CL-312A-TS	—	—	—	#10-32					
—	CL-415-TSA	CL-415-TSB	CL-415-TSD	1/4-20	1-1/2				
—	CL-425-TSA	CL-425-TSB	CL-425-TSD		2-1/2				
—	CL-517-TSA	CL-517-TSB	CL-517-TSD	5/16-18	1-3/4				
—	CL-527-TSA	CL-527-TSB	CL-527-TSD		2-3/4				
—	CL-620-TSA	CL-620-TSB	CL-620-TSD	3/8-16	2				
—	CL-630-TSA	CL-630-TSB	CL-630-TSD		3				
—	CL-820-TSA	CL-820-TSB	CL-820-TSD	1/2-13	2				
—	CL-830-TSA	CL-830-TSB	CL-830-TSD		3				
—	CL-1020-TSA	CL-1020-TSB	CL-1020-TSD	5/8-11	2				
—	CL-1030-TSA	CL-1030-TSB	CL-1030-TSD		3				

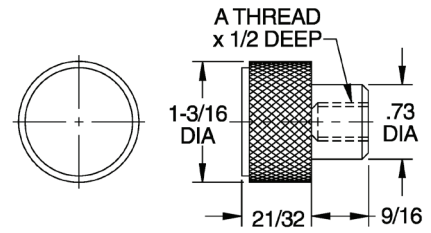
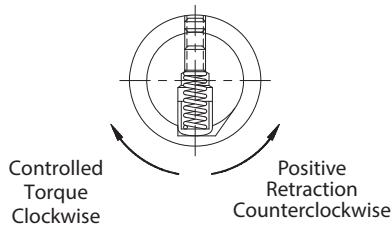
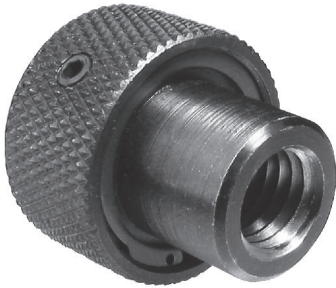
METRIC

PART NO.				A THREAD	THREAD PITCH (mm)	B (mm)	C (mm)	D DIA (mm)	ADJUSTMENT RANGE	
DOG POINT	A FOOT	B FOOT	D FOOT						TORQUE (Nm)	END FORCE (N)
CLM-5-TS	—	—	—	M5	.8	30	16.5	24	.3 - .7	50 - 550
—	CLM-6-TSA	CLM-6-TSB	CLM-6-TSD	M6	1	64				
—	CLM-8-TSA	CLM-8-TSB	CLM-8-TSD	M8	1.25	69				
—	CLM-10-TSA	CLM-10-TSB	CLM-10-TSD	M10	1.5	74				
—	CLM-12-TSA	CLM-12-TSB	CLM-12-TSD	M12	1.75	73				
—	CLM-16-TSA	CLM-16-TSB	CLM-16-TSD	M16	2					

* End force can vary +/- 30% depending on lubrication and other operating conditions.

ADJUSTABLE-TORQUE KNOBS

KNOB: 1215 STEEL, BLACK OXIDE FINISH
 SPRING: 17-7 PH STAINLESS STEEL



INCH

PART NO.	A	ADJUSTMENT RANGE	
		TORQUE (IN.-LBS)	END FORCE (LBS)*
CL-4-ATK	1/4-20	3-6	10-125
CL-5-ATK	5/16-18		10-125
CL-6-ATK	3/8-16		10-125
CL-8-ATK	1/2-13		10-125

Knurled knob that exerts positive, repeatable force. Clockwise, the knob declutches and turns freely when you reach the desired torque. Counterclockwise, the knob locks for positive retraction. Can be used as a controlled-torque nut, or as a thumb screw by installing a custom-made screw in the tapped hole.

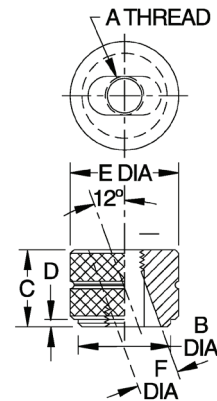
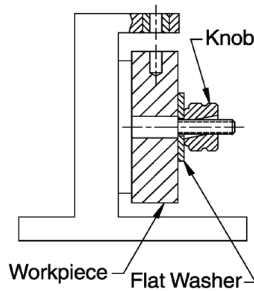
To set desired force, first remove the outer cover screw at the side of the knob, to expose the adjustment screw. Next, insert a hex wrench to turn the adjustment screw until desired torque is achieved. Reinstall the outer cover screw when finished. Torque can be adjusted from 3 to 6 inch-lbs, resulting in a contact force of 10 to 125 lbs, but these values are approximate. Force can vary +/- 30% depending on lubrication and other operating conditions.

METRIC

PART NO.	A THREAD	THREAD PITCH (mm)	ADJUSTMENT RANGE	
			TORQUE (Nm)	END-FORCE (N)
CLM-6-ATK	M6	1	.3 - .7	50 - 550
CLM-8-ATK	M8	1.25	.3 - .7	50 - 550
CLM-10-ATK	M10	1.5	.3 - .7	50 - 550
CLM-12-ATK	M12	1.75	.3 - .7	50 - 550

QUICK-ACTING KNURLED KNOBS

1215 STEEL, BLACK OXIDE FINISH



INCH

PART NO.	A	B DIA	C	D	E DIA	F DIA
CL-1-QKK	#10-24	1/2	7/16	1/16	5/8	7/32
CL-2-QKK	1/4-20	5/8	9/16		3/4	9/32
CL-3-QKK	5/16-18	3/4	5/8	3/4	7/8	11/32
CL-4-QKK	3/8-16	7/8	1/8		1	13/32
CL-5-QKK	1/2-13	1			1-1/8	17/32

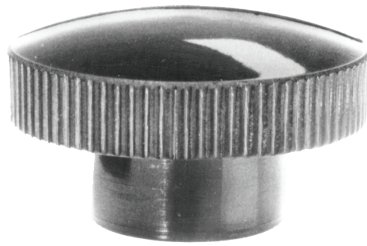
Quick-acting knob that slides in and out of clamping position, ideal when the knob must be completely removed for loading. Tilt knob to slide in, then straighten to engage threads and tighten. To remove, loosen knob, then tilt to slide out. For full strength, use a stud that extends slightly beyond the knob, to engage all threads.

METRIC

PART NO.	A THREAD	THREAD PITCH (mm)	B DIA (mm)	C (mm)	D (mm)	E DIA (mm)	F DIA (mm)
CLM-5-QKK	M5	.8	13	11	2	16	6
CLM-6-QKK	M6	1	16	14		19	7
CLM-8-QKK	M8	1.25	19	16		22	9
CLM-10-QKK	M10	1.5	22		25.5	10.5	
CLM-12-QKK	M12	1.75	25	19	3	28.5	12.5

KNURLED KNOBS

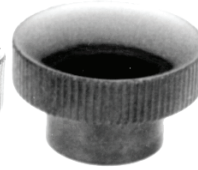
KNOB: BLACK PHENOLIC PLASTIC OR THERMOPLASTIC, WITH BRASS INSERT
 STUD: MILD STEEL, ZINC PLATED CLEAR CHROMATE



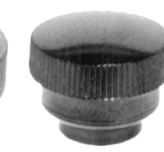
5/16-18 CL-642-KTK
 3/8-16 CL-652-KTK
 M8 CLM-642-KTK
 M10 CLM-652-KTK



1/4-20 CL-532-KTK
 5/16-18 CL-542-KTK
 M6 CLM-532-KTK
 M8 CLM-542-KTK



#10-32 CL-424-KTK
 1/4-20 CL-432-KTK
 M5 CLM-422-KTK
 M6 CLM-432-KTK



#10-32 CL-324-KTK
 1/4-20 CL-332-KTK
 M5 CLM-322-KTK



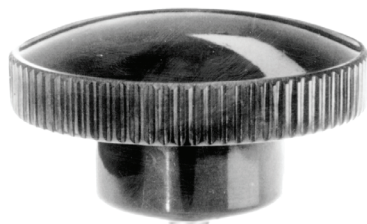
#10-32 CL-124-KTK



#6-32 CL-202-KTK
 #8-32 CL-212-KTK

Thermoplastic — Tapped

Phenolic — Tapped



Phenolic — Stud Type

3/8-16 X 1 CL-652-KTK-16
 M10 X 25mm CLM-652-KTK-25



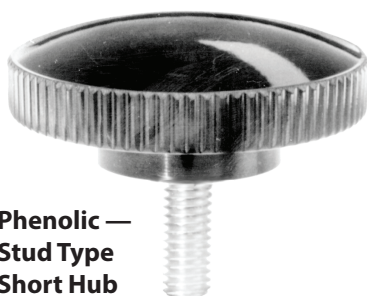
1/4-20 X 1/2 CL-532-KTK-8
 5/16-18 X 1 CL-542-KTK-16
 M8 X 25mm CLM-542-KTK-25



1/4-20 X 1 CL-432-KTK-16
 M6 X 25mm CLM-432-KTK-25



#8-32 X 1/2 CL-312-KTK-8
 #10-32 X 1/2 CL-324-KTK-8
 #10-32 X 1 CL-324-KTK-16
 1/4-20 X 1/2 CL-332-KTK-8
 M5 X 20mm CLM-322-KTK-20

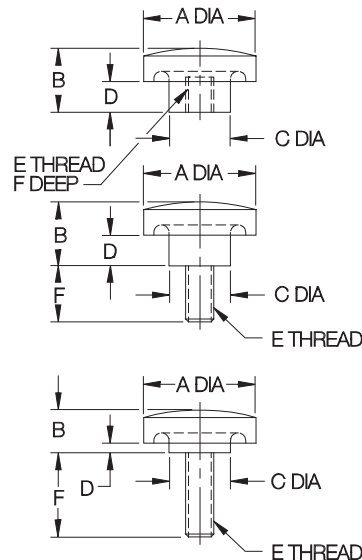


Phenolic — Stud Type Short Hub

3/8-16 X 1 CL-656-KTK-16



#6-32 X 3/4 CL-406-KTK-12
 1/4-20 X 3/4 CL-436-KTK-12



Knurled head provides a positive grip for finger tightening in light clamping applications. Choice of six knob sizes. Molded-in brass insert provides superior thread strength. Also available with a molded-in clamping stud. Non-standard thread sizes, or other lengths of molded-in studs are available in quantities of 500 and above.

THERMOPLASTIC — TAPPED (INCH)

PART NO.	A DIA	B	C DIA	D	E	F
CL-202-KTK	3/4	15/32	5/8	1/4	#6-32	5/16
CL-212-KTK					#9-32	

PHENOLIC — TAPPED (INCH & METRIC)

CL-124-KTK	5/8	9/16	1/2	—	#10-32	5/16
CL-324-KTK	3/4	7/32	7/16	1/16	#10-32	5/16
CL-332-KTK					1/4-20	
CLM-322-KTK					M5	
CL-424-KTK	1	21/32	5/8	5/16	#10-32	5/16
CL-432-KTK					1/4-20	
CLM-432-KTK					M6	3/8
CL-542-KTK	1-3/8	25/32	3/4	3/8	5/16-18	7/16
CLM-532-KTK					M6	
CL-642-KTK	1-7/8	1	1	1/2	5/16-18	7/16
CL-652-KTK					3/8-16	

PHENOLIC — STUD TYPE (INCH & METRIC)

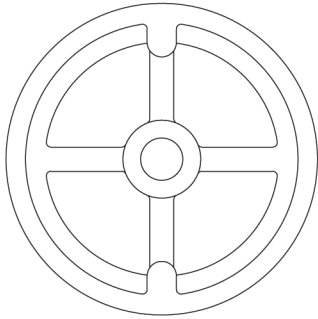
CL-312-KTK-8	3/4	17/32	7/16	1/16	#8-32	1/2
CL-324-KTK-8					#10-32	
CL-324-KTK-16					1/4-20	1/2
CL-332-KTK-8	1	21/32	5/8	5/16	1/4-20	1
CL-432-KTK-16					1/4-20	
CLM-432-KTK-25					M6	.98
CL-532-KTK-8	1-3/8	25/32	3/4	3/8	1/4-20	1/2
CL-652-KTK-16	1-7/8	1	1	1/2	3/8-16	1

PHENOLIC — STUD TYPE, SHORT HUB (INCH)

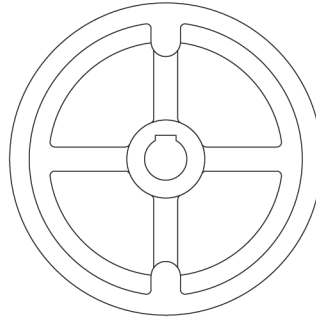
CL-436-KTK-12	1	13/32	1/2	1/16	1/4-20	3/4
CL-656-KTK-16	1-7/8	3/4	1	1/4	3/8-16	1

HAND-WHEEL MODIFICATIONS

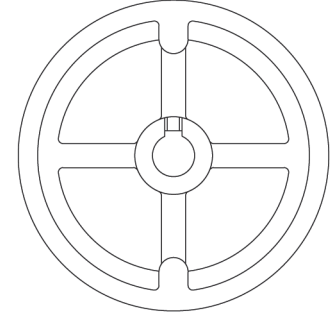
3



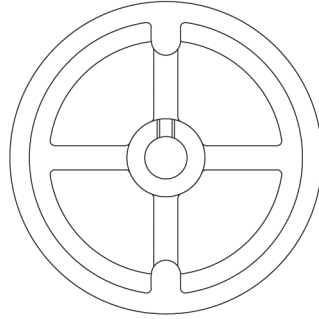
Bored Hole



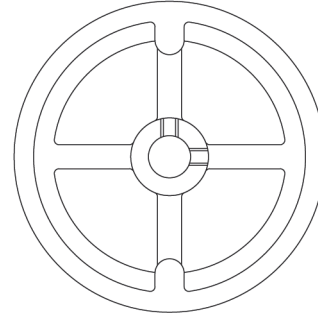
Bored Hole with Keyway



Bored Hole with Setscrew Hole over Keyway



Bored Hole with Setscrew Hole



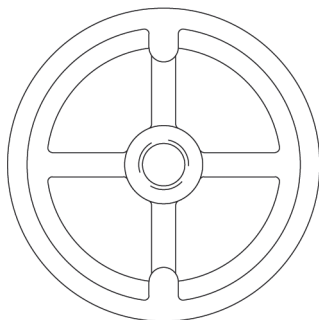
Bored Hole with 2 Setscrew Holes at 90°

BORE SIZE

HAND WHEEL DIA	STANDARD BORE SIZE (+0/+.002)	MAXIMUM BORE SIZE
4	.375	.750
5	.375	1.000
6	.500	1.125
8	.625	1.375
10	.625	1.500
12	.750	2.000

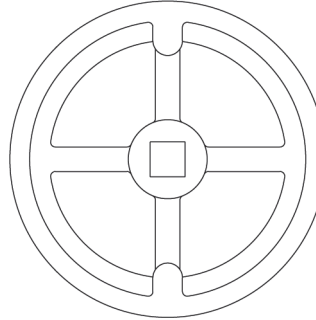
KEYWAYS & SETSCREWS

BORE SIZE	STANDARD SQUARE KEYWAY	STANDARD SETSCREW HOLE
.375-.438	3/32	#10-32
.439-.562	1/8	#10-32
.563-.875	3/16	1/4-20
.876-1.250	1/4	5/16-18
1.251-1.375	5/16	3/8-16
1.376-1.750	3/8	3/8-16
1.751-2.000	1/2	1/2-13



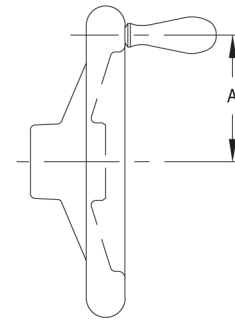
TAPPED HOLE

HAND WHEEL DIA	AVAILABLE THREAD SIZES
4	3/8 to 3/4, M10 to M20
5	3/8 TO 1, M10 to M24
6	1/2 to 1-1/4, M12 to M30
8	1/2 to 1-3/8, M12 to M36
10	5/8 to 1-1/2, M16 to M36
12	3/4 to 2, M20 to M48



SQUARE HOLE

HAND WHEEL DIA	AVAILABLE SQUARE HOLE SIZES
4	1/2
5	1/2, 5/8
6	1/2, 5/8
8	1/2, 5/8
10	1/2, 5/8
12	1/2, 5/8



HANDLE INSTALLATION

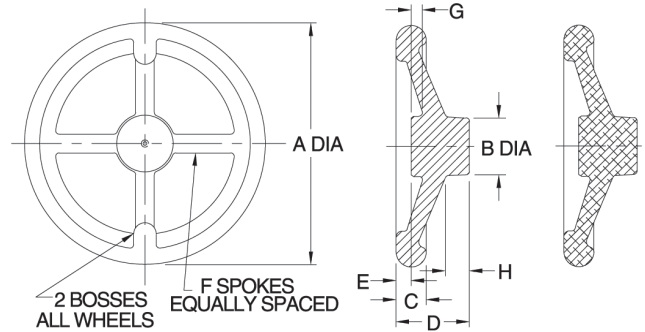
HAND WHEEL DIA	A
4	1-9/16
5	2
6	2-1/2
8	3-1/4
10	4-3/16
12	5-1/8

HAND WHEELS

CAST IRON PER ASTM-A48 CLASS 30 OR 319 ALUMINUM ALLOY



**Angled-Spoke
Rounded Design
Cast Iron or Aluminum**



**Cast Iron
HWAF** **Aluminum
HWAFA**

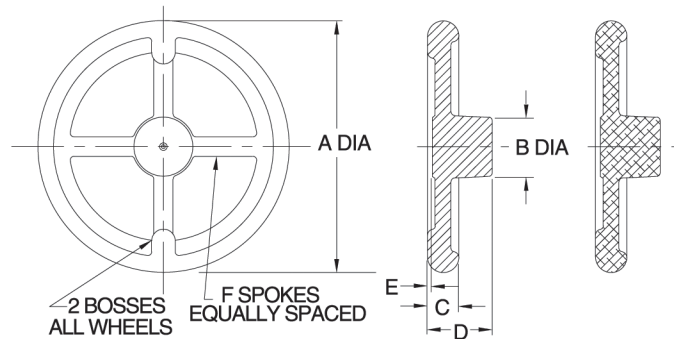
Utility-grade Hand Wheels that can be easily customized for any application. Wide range of sizes from 4 to 12" in diameter. Choose either cast iron for maximum strength, or aluminum for light weight.

ANGLED SPOKES

PART NO. CAST IRON	PART NO. ALUMINUM	A DIA	B DIA	C	D	E	F	G	H	J DIA	HANDLE		
											SIZE	SOLID	REVOLVING
CL-4-HWAF	CL-4-HWAFA	4	1-1/4	5/8	1-11/16	1/8	4	9/32	3/4	11/16	SIZE 2	INFO+: SEE PAGE 138	INFO+: SEE PAGES 139-141
CL-5-HWAF	CL-5-HWAFA	5	1-1/2	3/4	1-7/8	3/8		5/16		1			
CL-6-HWAF	CL-6-HWAFA	6	1-5/8		1	2	13/32	8	3/8	13/16	1	SIZE 4	INFO+: SEE PAGE 138
CL-8-HWAF	CL-8-HWAFA	8	1-7/8	2-7/16		1/2	1-3/8						
CL-10-HWAF	CL-10-HWAFA	10	2-1/4	1	3-1/32	11/16	8	7/16	1-1/16	1-3/4	SIZE 5	INFO+: SEE PAGE 138	INFO+: SEE PAGES 139-141
CL-12-HWAF	CL-12-HWAFA	12	3		4-3/32	1-1/16		1-3/4	2-1/2				



**Straight-Spoke
Rounded Design
Cast Iron or Aluminum**



**Cast Iron
HWSF** **Aluminum
HWSFA**

Same as the Hand Wheels shown above, except with straight spokes for a flatter profile.

STRAIGHT SPOKES

PART NO. CAST IRON	PART NO. ALUMINUM	A DIA	B DIA	C	D	E	F	J DIA	HANDLE		
									SIZE	SOLID	REVOLVING
CL-4-HWSF	CL-4-HWSFA	4	1-1/4	5/8	1-11/16	1/8	4	11/16	SIZE 2	INFO+: SEE PAGE 138	INFO+: SEE PAGES 139-141
CL-5-HWSF	CL-5-HWSFA	5	1-1/2	3/4				1			
CL-6-HWSF	CL-6-HWSFA	6	1-5/8		1	1-13/16	5/32	8	1	SIZE 4	INFO+: SEE PAGE 138
CL-8-HWSF	CL-8-HWSFA	8	1-7/8	2-1/16		1-3/8					
CL-10-HWSF	CL-10-HWSFA	10	2-1/4	1	2-1/2	1/8	8	1-3/4	SIZE 5	INFO+: SEE PAGE 138	INFO+: SEE PAGES 139-141
CL-12-HWSF	CL-12-HWSFA	12	3		3-1/4			2-1/2			

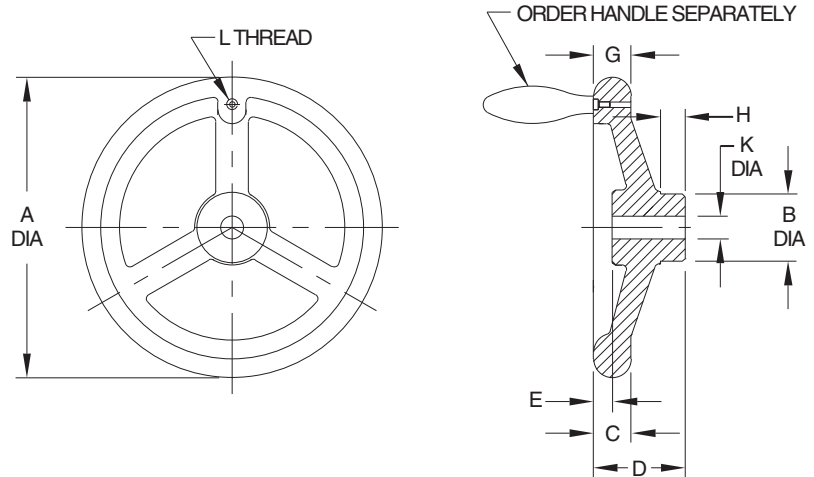
HAND WHEELS

CAST IRON, CHROME PLATED

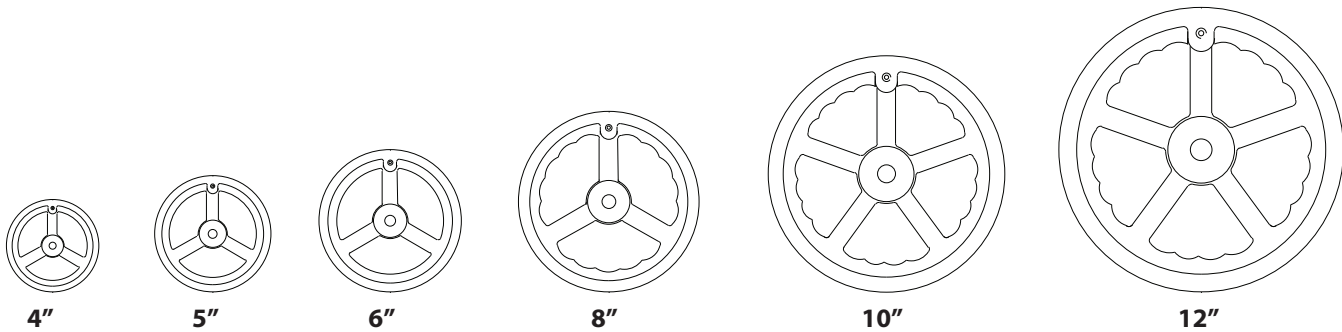


**Angled-Spoke Rounded Design
Cast Iron
Chrome Plated with Polished Rim**

High-quality Hand Wheel with contemporary design. Beautiful chrome-plated finish with a polished rim. Hand Wheel is bored to the standard shaft diameter for its size, and is also tapped for a standard Solid or Revolving Handle. Order handle separately. See table below for matching rounded-design handle (stainless steel). To use without a handle, see table below to order a matching Handle Plug, for the tapped hole (chrome-plated steel).



Hand wheels up through 8" diameter have three spokes; sizes 10" and larger have five spokes. Sizes 8" and larger have a wavy inside rim for better gripping.

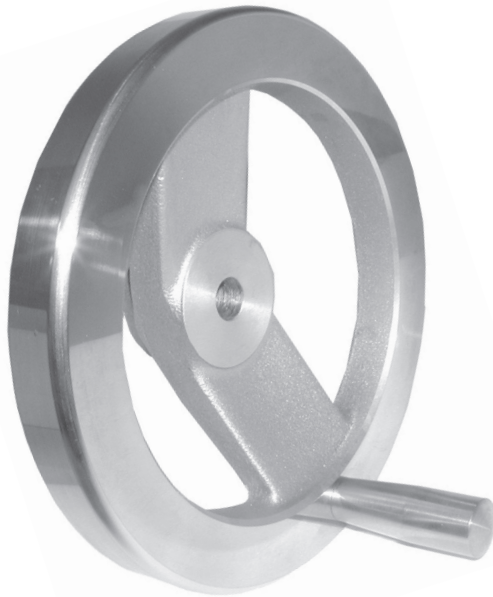


ORDER HAND WHEEL AND SOLID/REVOLVING HANDLE SEPARATELY

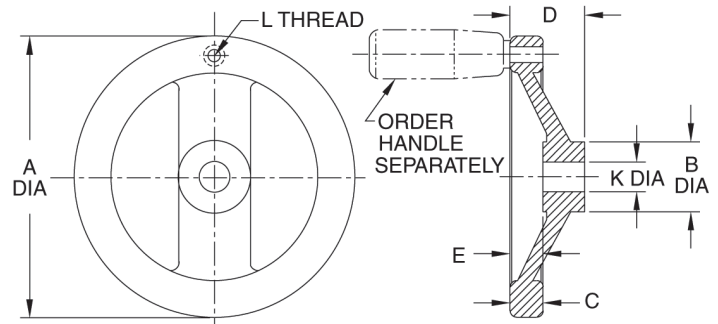
PART NO. WITH TAPPED HOLE FOR HANDLE	A DIA	B DIA	C	D	E	H	K DIA	L	MATCHING HANDLE			HANDLE PLUG
									SIZE	SOLID	REVOLVING	
CL-40-HWAR	4	1-1/8	9/16	1-1/2	7/16	1/2	3/8	1/4-20	SIZE 2	CL-250-SH-S	CL-250-RH-S	CL-2-HW-PLUG
CL-50-HWAR	5	1-1/4	19/32	1-5/8								
CL-60-HWAR	6	1-3/8	21/32	1-13/16	9/16	9/16	1/2	5/16-18	SIZE 3	CL-350-SH-S	CL-350-RH-S	CL-3-HW-PLUG
CL-80-HWAR	8	1-21/32	7/8	2-3/16	11/16	5/8	5/8	3/8-16	SIZE 4	CL-450-SH-S	CL-450-RH-S	CL-4-HW-PLUG
CL-100-HWAR	10	1-7/8	15/16	2-3/8	23/32	3/4						
CL-120-HWAR	12	2-5/32	1	2-1/2	23/32	7/8	3/4	1/2-13	SIZE 5	CL-550-SH-S	CL-550-RH-S	CL-5-HW-PLUG

HAND WHEELS

ALUMINUM, GRAVITY DIE CAST

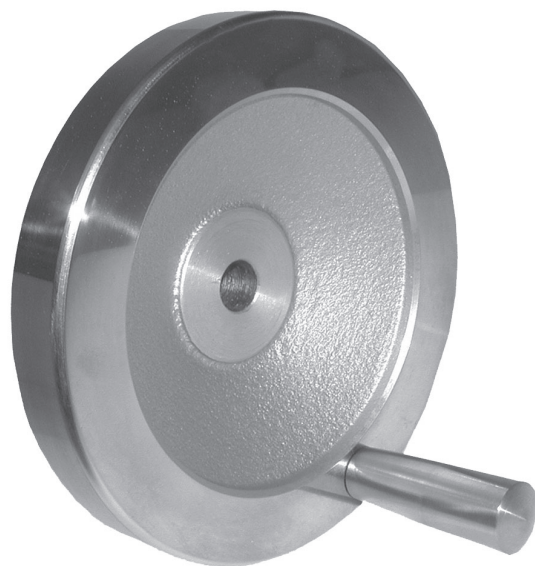


High-quality Hand Wheel with two spokes, with contemporary design. Rim is machined and highly polished on all sides. Spokes are shot blasted to a satin finish. These Hand Wheels are bored to the standard shaft diameter for their size, and are tapped for a Solid or Revolving Handle (also available without tapped hole for handle). Rim is concentric and square to the bore. Order Solid or Revolving Handle separately. Matching square-design stainless steel handles are recommended.

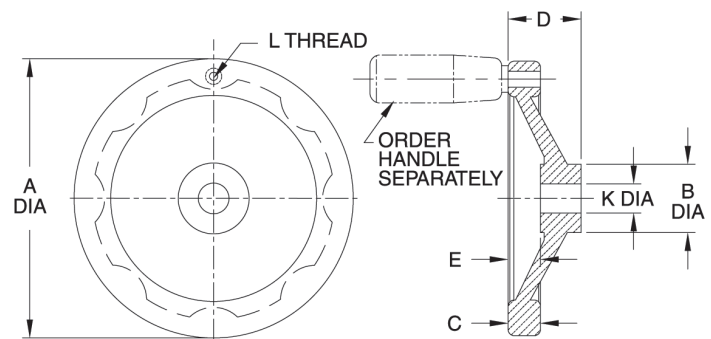


TWO-SPOKE SQUARE DESIGN — ALUMINUM

PART NO. WITH TAPPED HOLE FOR HANDLE	A DIA	B DIA	C	D	E	K DIA	L	HANDLE		
								SIZE	SOLID	REVOLVING
CL-50-HWTS-A	4.92	1.22	.59	1.30	.59	.375	1/4-20	SIZE 2	SEE PAGE 138	SEE PAGES 139-141
CL-60-HWTS-A	6.30	1.42	.71	1.54	.75	.500	5/16-18	SIZE 3		
CL-80-HWTS-A	7.87	1.65	.81	1.77	.83	.625	3/8-16	SIZE 4		
CL-100-HWTS-A	9.84	1.89	.91	2.01	.91					



High-quality aluminum Hand Wheel, with contemporary design. Rim is machined and highly polished on all sides. Solid inner dish is shot-blasted to a satin finish. These Hand Wheels are bored to the standard shaft diameter for their size, and are tapped for a Solid or Revolving Handle (also available without tapped hole for handle). Rim is concentric and square to the bore. Order Solid or Revolving Handle separately. Matching square-design stainless steel handles are recommended.



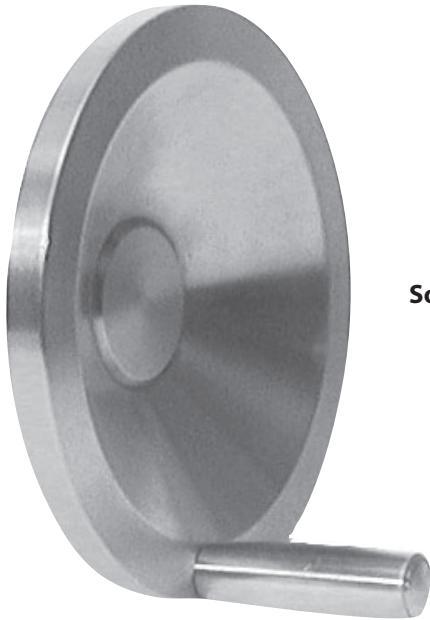
SOLID SQUARE DESIGN — ALUMINUM

PART NO. WITH TAPPED HOLE FOR HANDLE	A DIA	B DIA	C	D	E	K DIA	L	HANDLE		
								SIZE	SOLID	REVOLVING
CL-40-HWSS-A	3.94	1.10	.55	1.18	.51	.375	1/4-20	SIZE 2	SEE PAGE 138	SEE PAGES 139-141
CL-50-HWSS-A	4.92	1.22	.59	1.30	.59			SIZE 3		
CL-60-HWSS-A	6.30	1.42	.71	1.54	.75	.500	5/16-18	SIZE 4		
CL-80-HWSS-A	7.87	1.65	.81	1.77	.83					

HAND WHEELS

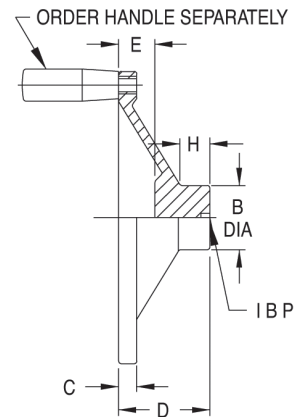
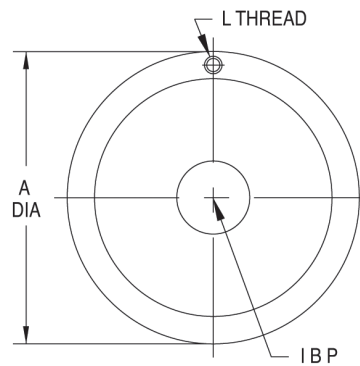
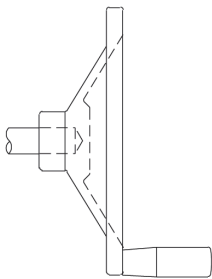
300-SERIES STAINLESS STEEL

3



**Solid Square Design
Stainless Steel**

High-quality, stainless steel Hand Wheel. Contemporary square design, completely machined to a fine finish from solid 300-series stainless steel. This precision Hand Wheel is extremely strong, yet light weight. Stainless steel Hand Wheels are center drilled, and also tapped for a standard Solid or Revolving Handle. Order handle separately.



These Hand Wheels can be bored with a blind hole to hide the shaft, for an extremely attractive finished appearance.

ORDER HAND WHEEL AND SOLID/REVOLVING HANDLE SEPARATELY

PART NO. WITH TAPPED HOLE FOR HANDLE	A DIA	B DIA	C	D	E	H	L	MATCHING HANDLE		
								SIZE	SOLID	REVOLVING
CL-30-HWSS-S	3	.87	1/4	1.10	.43	3/8	1/4-20	SIZE 1	CL-100-SH-S	CL-100-RH-S
CL-40-HWSS-S	4	1.02	5/16	1.25	.54	7/16		SIZE 2	CL-200-SH-S	CL-200-RH-S
CL-60-HWSS-S	6	1.50	1/2	1.50	.63	1/2		SIZE 3	CL-300-SH-S	CL-300-RH-S
CL-80-HWSS-S	8	1.80	9/16	1.80	.85	5/8	5/16-18			

HAND WHEELS

BODY: BLACK FIBER-REINFORCED NYLON THERMOPLASTIC
HUB: MILD STEEL, ZINC PLATED CLEAR CHROMATE

3

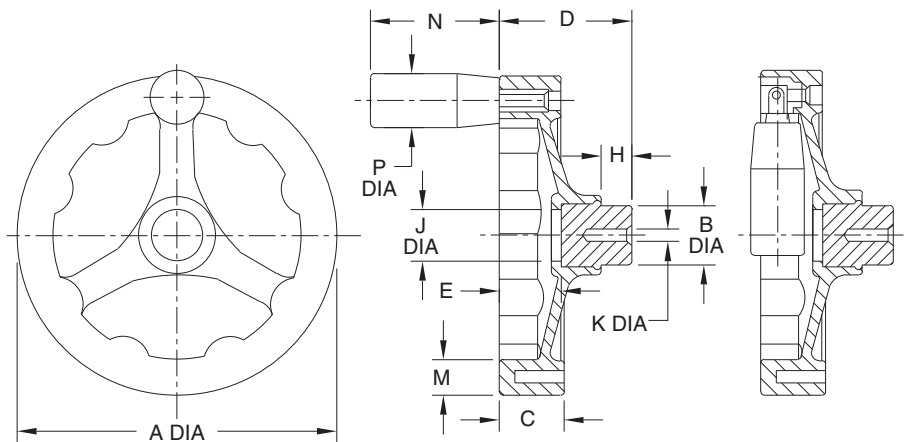


**Angled-Spoke Square Design
Thermoplastic
with Revolving Handle**



**Angled-Spoke Square Design
Thermoplastic
with Foldable Revolving Handle**

High-quality, thermoplastic Hand Wheel with three spokes, with contemporary design. Molded-in steel hub, blank with a pilot hole. Available with either a Revolving Handle, a Foldable Revolving Handle, or a plain rim without a handle. Matte black fiber-reinforced nylon thermoplastic (textured surface for secure gripping, excellent impact resistance, operating temperatures to 230°F).



PART NO. WITH FOLDABLE REVOLVING HANDLE	A DIA	B DIA	C	D	E	H	J DIA	K DIA	M	N	P DIA
CL-52-HWAS-P	4.92	.94	.94	2.01	.91	.47	.79	.157	.67	1.97	.83
CL-62-HWAS-P	6.30	1.26	1.10	2.40	1.18	.59	1.18	.236	.79	2.76	.91

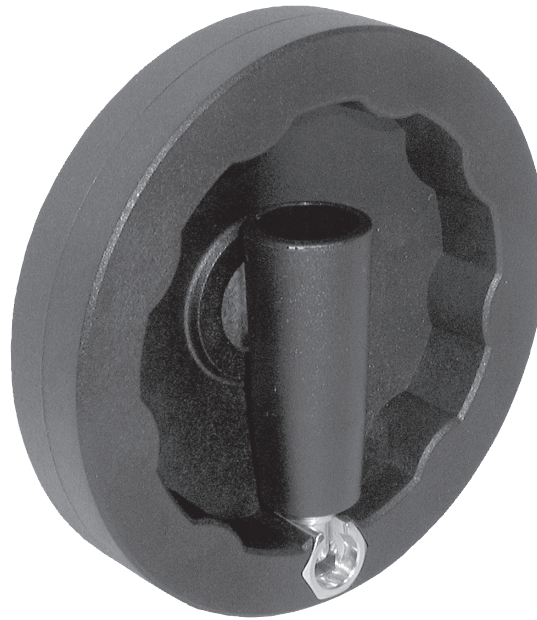
HAND WHEELS

BODY: MATTE BLACK FIBER-REINFORCED NYLON THERMOPLASTIC
 HUB: MILD STEEL, ZINC PLATED CLEAR CHROMATE

3

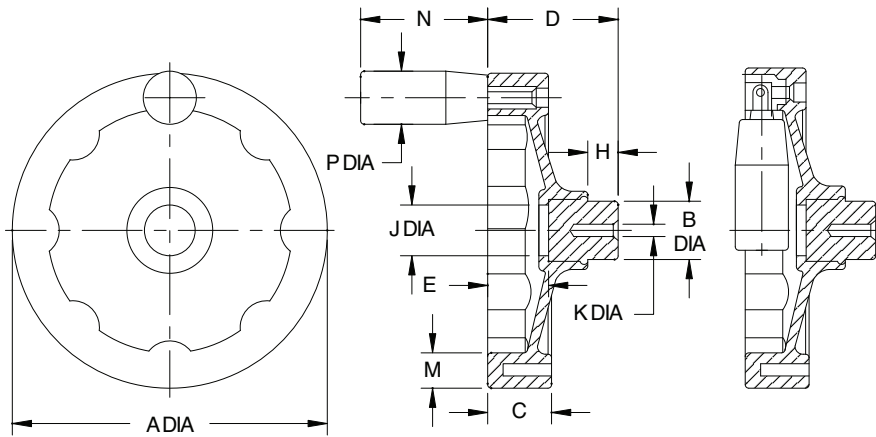


**Solid Square Design
 Thermoplastic
 with Revolving Handle**



**Solid Square Design
 Thermoplastic
 with Foldable Revolving Handle**

High-quality, thermoplastic Hand Wheel with two spokes, with contemporary design. Molded-in steel hub. These Hand Wheels are bored to the standard shaft diameter for their size. Available with either a Revolving Handle, a Foldable Revolving Handle, or a plain rim without a handle. Matte black high-impact thermoplastic (textured surface for secure gripping, excellent impact resistance, operating temperatures to 230°F).



PART NO. WITH REVOLVING HANDLE	PART NO. WITH FOLDABLE REVOLVING HANDLE	A DIA	B DIA	C	D	E	H	J DIA	K DIA	M	N	P DIA
CL-41-HWSS-P	CL-42-HWSS-P	3.94	.94	79	1.81	.87	.47	.71	.157	.59	1.97	.83
CL-51-HWSS-P	CL-52-HWSS-P	4.92		.94	2.01	.91		.79	.236	.67		
CL-61-HWSS-P	CL-62-HWSS-P	6.30	1.26	1.10	2.40	1.18	.59	1.18	.236	.79	2.76	.91
CL-81-HWSS-P	CL-82-HWSS-P	7.87	1.57	1.26	2.91	1.34		1.38	.94	3.57	1.02	

FLUTED HAND WHEELS

BODY: BLACK PHENOLIC PLASTIC
HUB: MILD STEEL, ZINC PLATED CLEAR CHROMATE

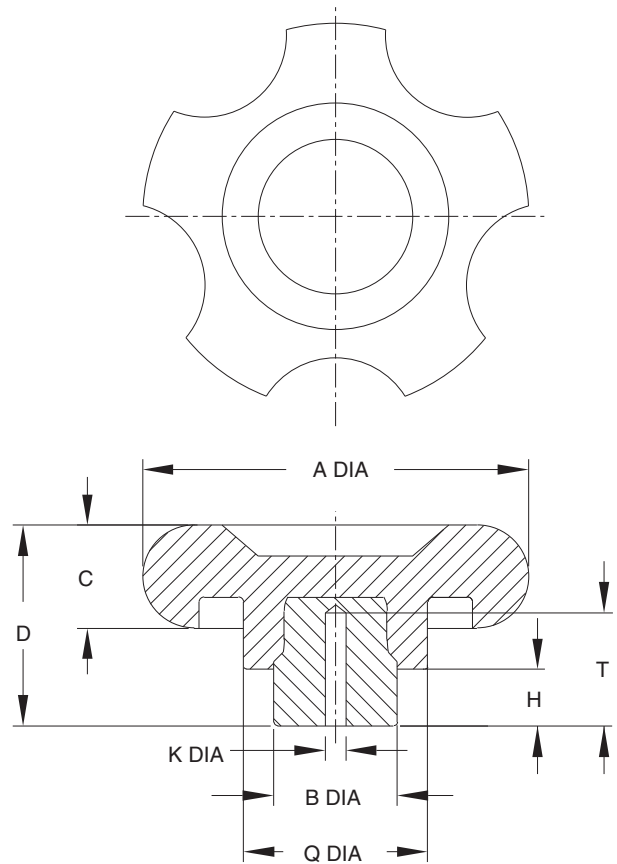
3



CL-4-FHW



CL-3-FHW

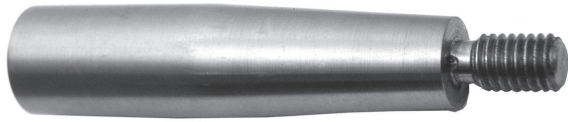


Small five-lobed phenolic hand wheels that are useful as control knobs or clamping knobs. Available in two diameters. Molded-in steel hub, blank with a pilot hole. Black phenolic plastic (glossy smooth finish, extremely hard, electrical insulator, operating temperatures to 300°F, resistant to oils and most common chemicals).

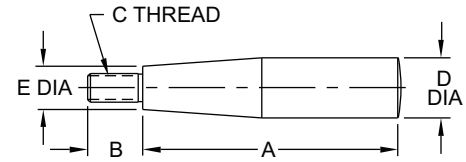
PART NO.	A DIA	B DIA	C	D	H	K DIA	Q DIA	T
CL-3-FHW	2.95	.94	.79	1.54	.43	.157	1.34	.87
CL-4-FHW	3.54	1.26		1.65	.47	.236	1.73	.98

SOLID HANDLES

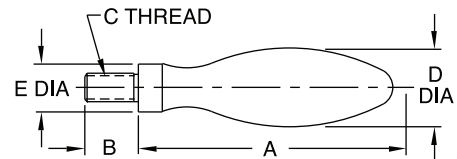
STEEL: 1215, BLACK OXIDE FINISH. STAINLESS STEEL: 300 SERIES.



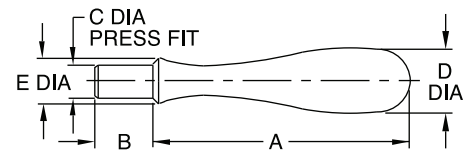
**Square Design
Threaded
Stainless Steel**



**Rounded Design
Threaded
Stainless Steel**



**Rounded Design
Press Fit
Steel, Black Oxide Finish**



SQUARE DESIGN, THREADED — STAINLESS (INCH)

PART NO.	SIZE	A	B	C	D DIA	E DIA
CL-100-SH-S	1	1-1/2	9/32	1/4-20	1/2	13/32
CL-200-SH-S	2	2	7/16			
CL-300-SH-S	3	2-1/2	9/16	5/16-18	5/8	15/32
CL-400-SH-S	4	3-1/4	11/16	3/8-16	3/4	19/32

ROUNDED DESIGN, THREADED — STAINLESS (INCH)

CL-250-SH-S	2	2	1/2	1/4-20	5/8	.44
CL-350-SH-S	3	2-5/8	9/16	5/16-18	13/16	.53
CL-450-SH-S	4	3-3/16	11/16	3/8-16	1	.63
CL-550-SH-S	5	3-3/4	13/16	1/2-13	1-1/4	.75

ROUNDED DESIGN, PRESS FIT — STEEL (INCH)

CL-1-SH	2	2	9/16	3/8	11/16	5/8
CL-2-SH	4	3-1/4	3/4	7/16	1	11/16
CL-3-SH	5	3-7/8	1	1/2	1-3/16	7/8

Attractive fixed handles available in steel with a black oxide finish, or stainless steel with a polished finish. Available in square or rounded designs, each in several sizes. Choice of threaded type or press-fit type (do not use press-fit handles on aluminum hand wheels).

SQUARE DESIGN, THREADED — STAINLESS (METRIC)

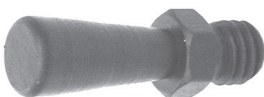
PART NO.	HANDLE SIZE	A (mm)	B (mm)	C THREAD	THREAD PITCH (mm)	D DIA (mm)	E DIA (mm)
CLM-100-SH-S	SIZE 1	38	7	M6	1	13	10
CLM-200-SH-S	SIZE 2	51	11	M6	1	13	10
CLM-300-SH-S	SIZE 3	64	14	M8	1.25	16	12
CLM-400-SH-S	SIZE 4	83	17	M10	1.5	19	15

ROUNDED DESIGN, THREADED — STAINLESS (METRIC)

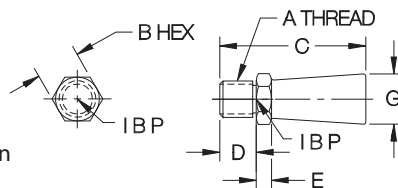
CLM-250-SH-S	SIZE 2	51	13	M6	1	16	10
CLM-350-SH-S	SIZE 3	67	14	M8	1.25	21	13
CLM-450-SH-S	SIZE 4	81	17	M10	1.5	25	16
CLM-550-SH-S	SIZE 5	95	21	M12	1.75	32	19

FINGER PINS

1215 STEEL, BLACK OXIDE FINISH



Miniature, fixed finger handle in steel, with a black oxide finish.



INCH

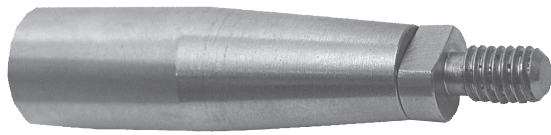
PART NO.	A	B	C	D	E	G DIA
CL-0-FP	#10-32	1/4	3/4	1/4	7/64	1/4
CL-1-FP	#10-24					
CL-2-FP	5/16-18	3/8	1-1/4	5/16	5/32	3/8

METRIC

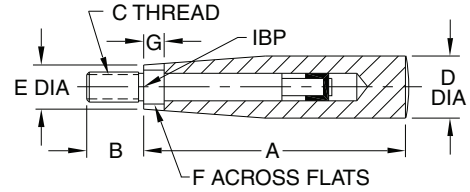
CLM-5-FP	M5	6mm	.75	M6	.12	.24
CLM-8-FP	M8	10mm	1.26	M8	.16	.39

REVOLVING HANDLES

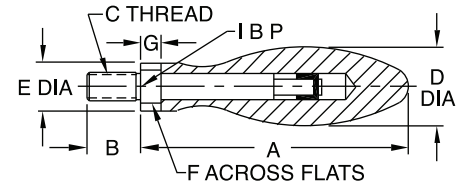
STEEL: 1215, BLACK OXIDE FINISH. STAINLESS STEEL: 300 SERIES



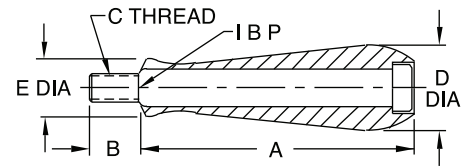
**Square Design
Threaded
Stainless Steel**



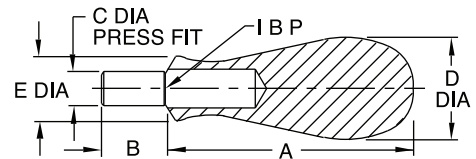
**Rounded Design
Threaded
Stainless Steel**



**Rounded Design
Shoulder Screw
Steel, Black Oxide Finish**



**Rounded Design
Press Fit
Steel, Black Oxide Finish**



Revolving Handles have an internal bearing that allows the handle to remain fixed in your hand, for firm gripping, while turning a hand wheel or crank. These attractive handles are available in steel with a black oxide finish, or stainless steel with a polished finish. Available in square or rounded designs, each in several sizes. Choice of threaded type or press-fit type (do not use press-fit handles on aluminum hand wheels).

SQUARE DESIGN, THREADED — STAINLESS (INCH)

PART NO.	SIZE	A	B	C	D DIA	E DIA	F	G
CL-100-RH-S	1	1-1/2	9/32	1/4-20	1/2	13/32	5/16	.25
CL-200-RH-S	2	2	1/2					.28
CL-300-RH-S	3	2-1/2	9/16	5/16-18	5/8	15/32	3/8	.32
CL-400-RH-S	4	3-1/4	5/8	3/8-16	3/4	19/32	7/16	.39

ROUNDED DESIGN, THREADED — STAINLESS (INCH)

CL-250-RH-S	2	2-1/4	1/2	1/4-20	5/8	.44	5/16	.25
CL-350-RH-S	3	2-13/16	9/16	5/16-18	13/16	.53	3/8	.28
CL-450-RH-S	4	3-3/8	5/8	3/8-16	1	.63	7/16	.32
CL-550-RH-S	5	4	3/4	1/2-13	1-1/4	.75	5/8	.39

ROUNDED DESIGN, SHOULDER SCREW — STEEL (INCH)

CL-1-RH	2	2	7/16	1/4-20	11/16	5/8	—	—
CL-2-RH	4	3-3/8	11/16	3/8-16	1	11/16	—	—
CL-3-RH	5	3-7/8	3/4	1/2-13	1-3/16	7/8	—	—

ROUNDED DESIGN, PRESS FIT — STEEL (INCH)

CL-4-RH	2	2-3/8	19/32	5/16	11/16	5/8	—	—
---------	---	-------	-------	------	-------	-----	---	---

SQUARE DESIGN, THREADED — STAINLESS (METRIC)

PART NO.	HANDLE SIZE	A (mm)	B (mm)	C THREAD	THREAD PITCH (mm)	D DIA (mm)	E DIA (mm)	F (mm)	G (mm)
CLM-100-RH-S	SIZE 1	38	7	M6	1	16	12	8	5
CLM-200-RH-S	SIZE 2	51	13	M6	1	16	12	8	6.5
CLM-300-RH-S	SIZE 3	64	14	M8	1.25	19	14	9.5	7
CLM-400-RH-S	SIZE 4	83	16	M10	1.5	22	16	11	8

ROUNDED DESIGN, THREADED — STAINLESS (INCH)

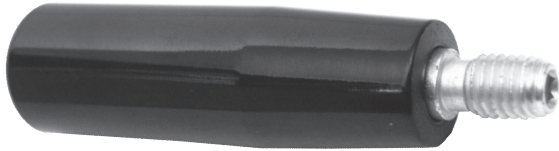
PART NO.	SIZE	A	B	C	D DIA	E DIA	F	G
CLM-250-RH-S	2	2-1/4	1/2	M6	5/8	.44	5/16	.25
CLM-350-RH-S	3	2-13/16	9/16	M8	13/16	.53	3/8	.28
CLM-450-RH-S	4	3-3/8	5/8	M10	1	.63	7/16	.32
CLM-550-RH-S	5	4	3/4	M12	1-1/4	.75	5/8	.39

ROUNDED DESIGN, SHOULDER SCREW — STEEL (INCH)

CLM-1-RH	2	2	7/16	M6	13/16	3/4	—	—
CLM-2-RH	4	3-1/4	9/16	M10	1-1/4	15/16	—	—
CLM-3-RH	5	3-7/8	3/4	M12	1-1/2	1-1/8	—	—

REVOLVING HANDLES

BODY: BLACK PHENOLIC PLASTIC OR NYLON THERMOPLASTIC
 THREADED SPINDLE: MILD STEEL, ZINC PLATED CLEAR CHROMATE

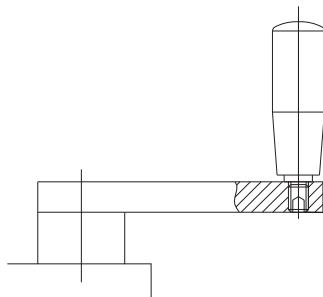


**Phenolic
with Steel Body**

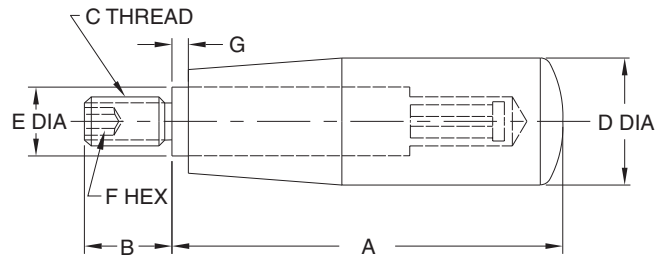


**Thermoplastic
with Steel Body**

Modern square-design handle with a threaded steel spindle. Revolving Handles have an internal bearing that allows the handle to remain fixed in your hand, for firm gripping while turning a Hand Wheel or crank. Threaded spindle has a hex socket for easy installation. Available in two handle materials: Black phenolic plastic (glossy smooth finish, extremely hard, electrical insulator, operating temperatures to 300°F, resistant to oils and most common chemicals) or matte black nylon thermoplastic (textured surface for secure gripping, excellent impact resistance, operating temperatures to 230°F).



Revolving Handles can be used to make custom crank handles.



INCH

PART NO. PHENOLIC	PART NO. THERMOPLASTIC	SIZE	A	B	C	D DIA	E DIA	F	G
CL-100-RH-F	CL-100-RH-P	1	1.67	.47	1/4-20	.71	.39	3mm	.10
CL-200-RH-F	CL-200-RH-P	2	2.07	.51		.83			
CL-300-RH-F	CL-300-RH-P	3	2.66	.55	5/16-18	.91	4mm		
CL-400-RH-F	CL-400-RH-P	4	3.25	.63	3/8-16	1.02	5mm		
CL-500-RH-F	—	5	4.12	.79	1/2-13	1.22	6mm		

METRIC

PART NO. PHENOLIC	PART NO. THERMOPLASTIC	HANDLE SIZE	A (mm)	B (mm)	C THREAD	THREAD PITCH (mm)	D DIA (mm)	E DIA (mm)	F (mm)	G (mm)
CLM-100-RH-F	CLM-100-RH-P	SIZE 1	42.5	12	M6	1	18	10	3	2.5
CLM-200-RH-F	CLM-200-RH-P	SIZE 2	52.5	13	M6	1	21	10	3	2.5
CLM-201-RH-F	—	—	52.5	13	M8	1.25	21	10	4	2.5
CLM-300-RH-F	CLM-300-RH-P	SIZE 3	67.5	14	M8	1.25	23	13	4	2.5
CLM-400-RH-F	CLM-400-RH-P	SIZE 4	82.5	15	M10	1.5	26	13	5	2.5
CLM-500-RH-F	—	SIZE 5	104.5	20	M12	1.75	31	14	6	2.5

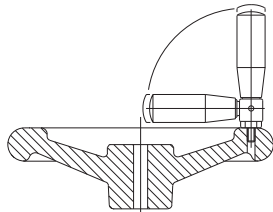
FOLDABLE REVOLVING HANDLES

BODY: 300-SERIES STAINLESS STEEL. HANDLE: BLACK THERMOPLASTIC

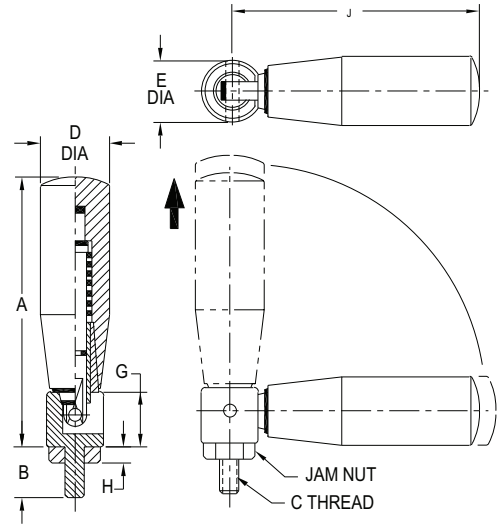


**Thermoplastic with
Stainless Steel Body**

Unique revolving handle that can fold away when not in use. Handle is positively locked in extended position. Like other revolving handles, this foldable handle has an internal bearing that allows it to remain fixed in your hand, for firm gripping, while turning a hand wheel or crank. To allow folding, the handle must first be pulled outward, against a spring force, then moved 90°. Once folded, the handle is held in that position also by spring force.



To install handle in tapped hole, screw in as far as possible, then back off until the handle is at the desired orientation. Tighten Jam Nut to secure at that orientation.



INCH

PART NO.	SIZE	A	B	C	D DIA	E DIA	G	H	J
CL-200-FRH-S	2	2-1/2	5/8	1/4-20	7/8	.63	1/2	11/64	2-3/8
CL-300-FRH-S	3	3-1/4	3/4	5/16-18	15/16	.78	5/8	13/64	3-1/8
CL-400-FRH-S	4	3-3/4	7/8	3/8-16	1	.78	5/8	15/64	3-5/8

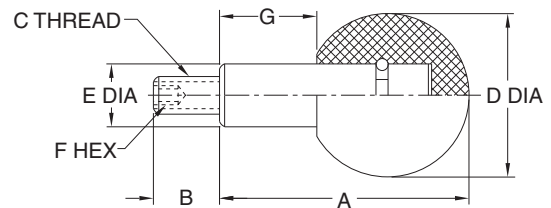
REVOLVING BALL HANDLES

BALL KNOB: BLACK PHENOLIC PLASTIC
THREADED SPINDLE: MILD STEEL, BLACK OXIDE FINISH OR ZINC PLATED CLEAR CHROMATE



**Phenolic
with Steel Body**

Revolving handle with a ball knob made of phenolic plastic and a threaded steel spindle. This version is especially useful for hand wheels or cranks mounted horizontally with the handle used as a hand rest. Revolving Ball Handles have an internal bearing that allows the handle to remain fixed in your hand, for firm gripping. Threaded spindle has a hex socket for easy installation.



INCH

PART NO.	SIZE	A	B	C	D DIA	E DIA	F	G
CL-200-RBH	2	1.48	.43	1/4-20	.98	.39	3mm	.59
CL-300-RBH	3	1.89	.51	5/16-18	1.26	.51	4mm	.75
CL-400-RBH	4	2.40	.55	3/8-16	1.57	.63	5mm	.94
CL-500-RBH	5	3.07	.83	1/2-13	1.97	.79	6mm	1.22

METRIC

PART NO.	HANDLE SIZE	A (mm)	B (mm)	C THREAD	THREAD PITCH (mm)	D DIA (mm)	E DIA (mm)	F (mm)	G (mm)
CLM-200-RBH	SIZE 2	37.5	11	M6	1	25	10	3	15
CLM-300-RBH	SIZE 3	48	13	M8	1.25	32	13	4	19
CLM-500-RBH	SIZE 5	78	21	M12	1.75	50	20	6	31

LEVER HANDLES

300-SERIES STAINLESS STEEL

3



**Single
Lever Handle**

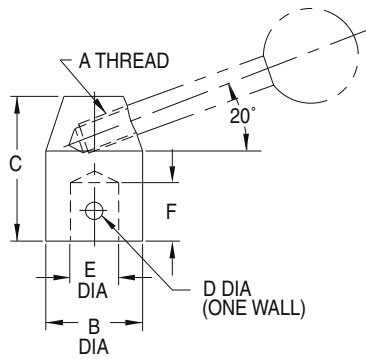


**Triple
Lever Handle**

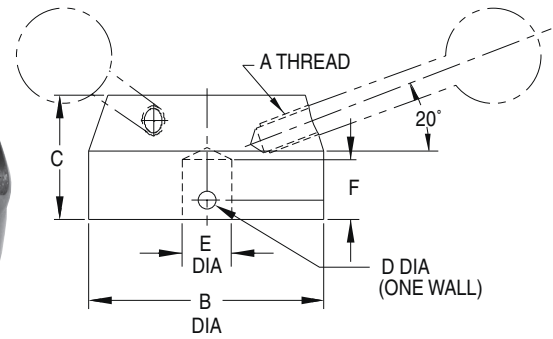
Fast, efficient levers that provide high torque. These attractive Lever Handles are made of 300-series stainless steel, polished to a beautiful finish. Hubs are available in single-handle or triple-handle versions, each in two sizes. Lever Handles can be totally customized by choosing Lever Bar length and Knob type.



Single Hub



Triple Hub



SINGLE LEVER HANDLE — ORDER HUB, LEVER BAR, AND KNOB SEPARATELY (INCH)

PART NO. HUB ONLY	A	B DIA	C	D DIA	E	F	PART NO. LEVER BAR	PART NO. KNOB
CL-116-LHH-S	5/16-18	1	1-1/2	1/8	3/8 DIA REAMED	5/8	INFO+: SEE PAGE 143	INFO+: SEE PAGES 152-159
CL-1160-LHH-S				—	3/8-16 TAPPED	9/16		
CL-128-LHH-S	3/8-16	1-1/4	1-7/8	5/32	1/2 DIA REAMED	3/4		
CL-1280-LHH-S				—	1/2-13 TAPPED	11/16		

TRIPLE LEVER HANDLE — ORDER HUB, LEVER BARS, AND KNOBS SEPARATELY (INCH)

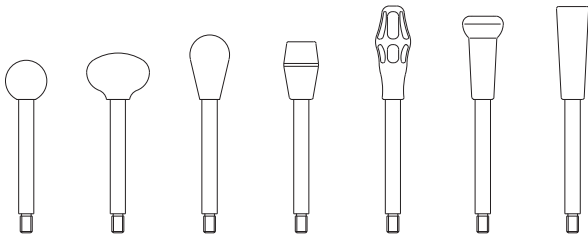
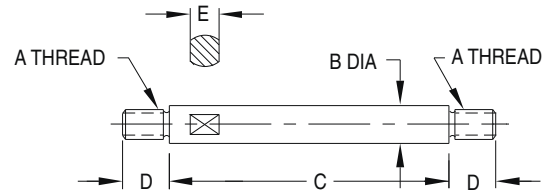
CL-316-LHH-S	5/16-18	2	1	3/16	3/8 DIA REAMED	3/4	INFO+: SEE PAGE 143	INFO+: SEE PAGES 152-159
CL-328-LHH-S	3/8-16	2-3/8	1-3/16	3/16	1/2 DIA REAMED	7/8		

LEVER BARS

300-SERIES STAINLESS STEEL



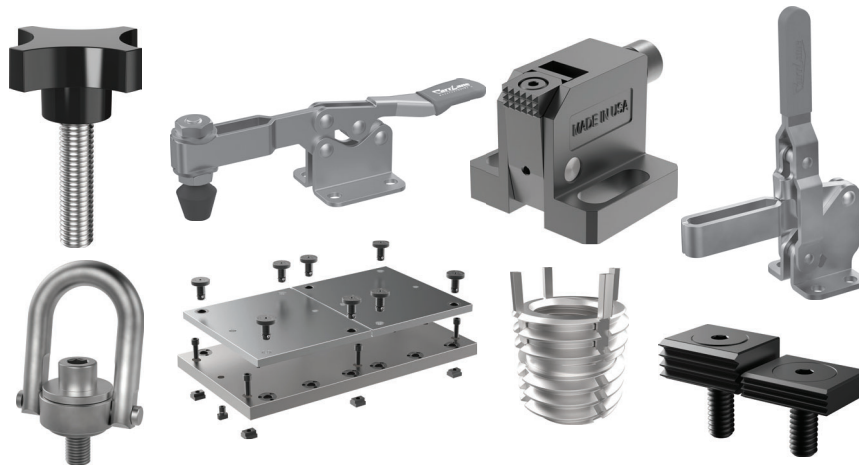
Versatile Lever Bars available in three diameters, each in several lengths. 300-series stainless steel polished to a beautiful finish. **INFO+**: Can be used with the hubs on page 142 to make lever handles. Wrench flat allows firm tightening.



INCH

PART NO.	A	B DIA	C	D	E
CL-515-LVB-S	5/16-18	.39	1.5	7/16	5/16
CL-522-LVB-S			2.2		
CL-530-LVB-S			3.0		
CL-540-LVB-S			4.0		
CL-555-LVB-S			5.5		
CL-620-LVB-S	3/8-16	.47	2.0	1/2	3/8
CL-627-LVB-S			2.7		
CL-637-LVB-S			3.7		
CL-647-LVB-S			4.7		
CL-660-LVB-S			6.0		
CL-837-LVB-S	1/2-13	.55	3.7	5/8	7/16
CL-847-LVB-S			4.7		
CL-857-LVB-S			5.7		
CL-867-LVB-S			6.7		

Discover Solutions at CarrLane.com

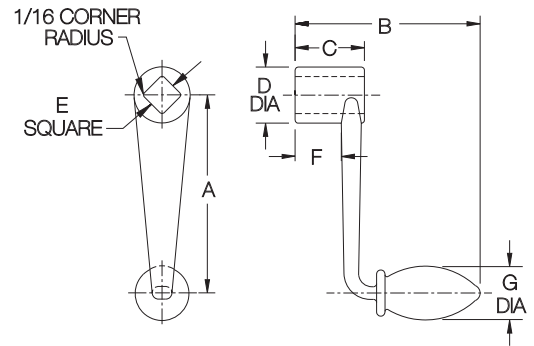


CRANK HANDLES

NODULAR IRON PER ASTM A536 CLASS 65-45-12, ZINC PLATED CLEAR CHROMATE



Rugged crank handle with a comfortable grip. Choice of three sizes that fit all common square drives.



PART NO.	SQUARE DRIVE SIZE	A	B	C	D DIA	E	F	G DIA
CL-0-H	3/8 or 10mm	2-1/4	3	1	7/8	13/32	5/8	5/8
CL-1-H	1/2 or 12mm	3-3/4	4-3/16	1-5/16	1-1/16	17/32	7/8	7/8
CL-2-H	5/8 or 16mm	5-1/4	5-1/2	2-1/2	1-3/8	21/32	1-3/4	1

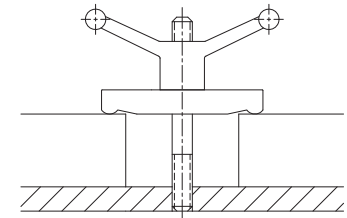
SPEED BALL HANDLES

NODULAR IRON PER ASTM-A536 CLASS 65-45-12, ZINC PLATED CLEAR CHROMATE



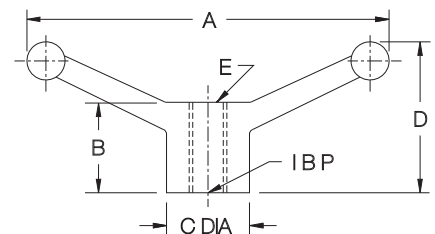
Double Arm

Speed handles that are weighted for quick turning. Long arm extensions provide excellent leverage for hand tightening.



DOUBLE ARM (INCH & METRIC)

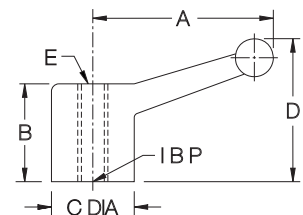
PART NO.	A	B	C DIA	D	E
CL-4-SBH	4-7/8	1-5/8	1-1/8	2-1/4	BLANK
CL-44-SBH					1/2-13
CLM-44-SBH					M12
CL-6-SBH	6	1-5/8	1-3/8	2-3/8	BLANK
CL-64-SBH					5/8-11
CLM-64-SBH					M16
CL-8-SBH	8	1-13/16	1-3/4	2-7/8	BLANK
CL-84-SBH					3/4-10
CLM-84-SBH					M20



Single Arm

SINGLE ARM (INCH & METRIC)

PART NO.	A	B	C DIA	D	E
CL-5-SBH	3	1-5/8	1-3/8	2-3/8	BLANK
CL-55-SBH					1/2-13
CL-59-SBH					5/8-11
CLM-55-SBH					M12
CLM-59-SBH					M16
CL-7-SBH	4-3/8	2	1-5/8	3-1/2	BLANK
CL-75-SBH					3/4-10
CLM-75-SBH					M20



BALANCED CRANK HANDLES

300-SERIES STAINLESS STEEL

3



**Rounded Handle
(Solid or Revolving)
Stainless Steel**

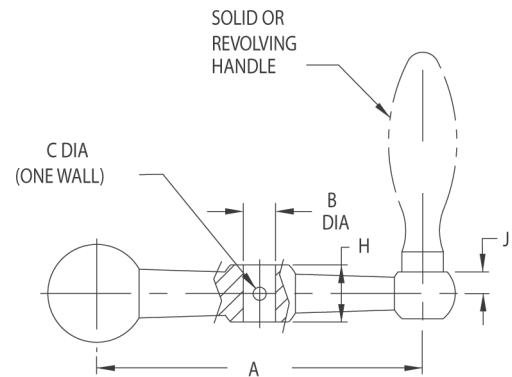
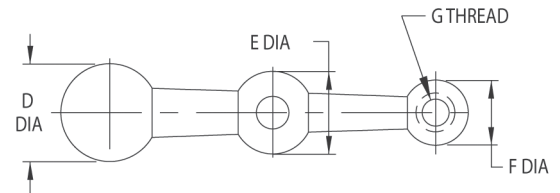


**Square Handle
(Solid or Revolving)
Stainless Steel**

High-quality, stainless steel crank handle with a beautiful polished finish. Handle is balanced for smooth operation, and so that no rotation occurs due to handle weight. The reamed center hole is cross-drilled in one wall for easy installation by pinning. Order body and handle separately, with a choice of four handle types:

INFO+:

- Rounded-design Solid Handle (page 138)
- Rounded-design Revolving Handle (page 139)
- Square-design Solid Handle (page 138)
- Square-design Revolving Handle (page 139)



ORDER BODY AND SOLID/REVOLVING HANDLE SEPARATELY

PART NO. BODY ONLY	A	B DIA	C DIA	D DIA	E DIA	F DIA	G	H	J	PART NO. — SOLID OR REVOLVING HANDLE			
										ROUNDED SOLID	ROUNDED REVOLVING	SQUARE SOLID	SQUARE REVOLVING
CL-30-CHB-S	3-1/8	3/8	5/32	1-1/4	1	3/4	5-16/18	11/16	5/16	CL-350-SH-S	CL-350-RH-S	CL-300-SH-S	CL-300-RH-S
CL-40-CHB-S	4									CL-450-SH-S	CL-450-RH-S	CL-400-SH-S	CL-400-RH-S
CL-50-CHB-S	5	1/2	3/16	1-1/2	1-14	1	3/8-16	7/8	3/8	CL-450-SH-S	CL-450-RH-S	CL-400-SH-S	CL-400-RH-S
CL-51-CHB-S		5/8*								CL-450-SH-S	CL-450-RH-S	CL-400-SH-S	CL-400-RH-S

*1/8" Square keyway on this size only.

ADJUSTABLE HANDLES

HANDLE: ZINC DIE CASTING; ENAMEL PAINT
 BODY: 1215 STEEL, BLACK OXIDE FINISH. SPRING: MUSIC WIRE

Steel Body
Zinc Die Cast Handle (Moss Green)

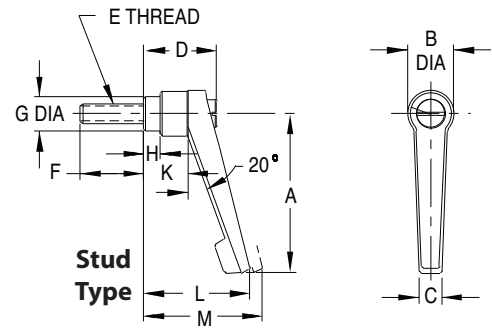
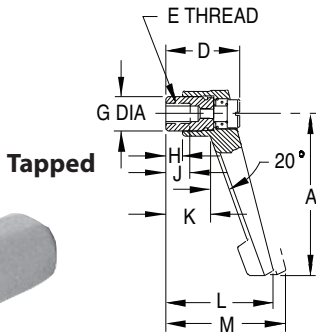
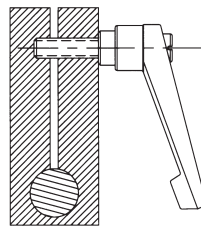
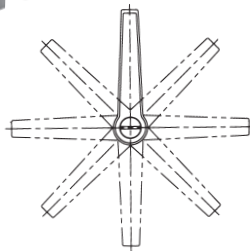
Size 5

Size 4

Size 3

Size 2

Adjustable handle that can be reset to any angle. Ideal for clamping in a confined space, or when a specific handle position is desired. Rugged spring-loaded spline mechanism. Choice of four handle sizes. Available with a tapped hole or with an integral stud.



TAPPED (INCH)

PART NO.	SIZE	E	J
CL-4-AH-2	2	1/4-20	1/2
CL-5-AH-2		5/16-18	
CL-5-AH-3	3	5/16-18	9/16
CL-6-AH-3		3/8-16	
CL-6-AH-4	4	3/8-16	5/8
CL-8-AH-4		1/2-13	
CL-8-AH-5	5	1/2-13	7/8
CL-10-AH-5		5/8-11	

TAPPED (METRIC)

PART NO.	SIZE	E THREAD	THREAD PITCH (mm)	J (mm)
CLM-8-AH-2	2	M8	1.25	12
CLM-10-AH-3	3	M10	1.5	14
CLM-12-AH-4	4	M12	1.75	16
CLM-16-AH-5	5	M16	2	22

STUD TYPE (INCH)

PART NO.	SIZE	E	F
CL-510-AH-2	2	5/16-18	1
CL-515-AH-2			1-1/2
CL-520-AH-2			2
CL-610-AH-3	3	3/8-16	1
CL-615-AH-3			1-1/2
CL-620-AH-3			2
CL-810-AH-4	4	1/2-13	1
CL-815-AH-4			1-1/2
CL-820-AH-4			2
CL-830-AH-4	5	5/8-11	3
CL-1015-AH-5			1-1/2
CL-1020-AH-5			2
CL-1030-AH-5			3

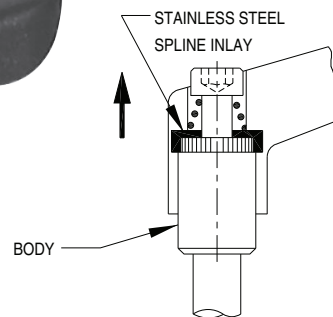
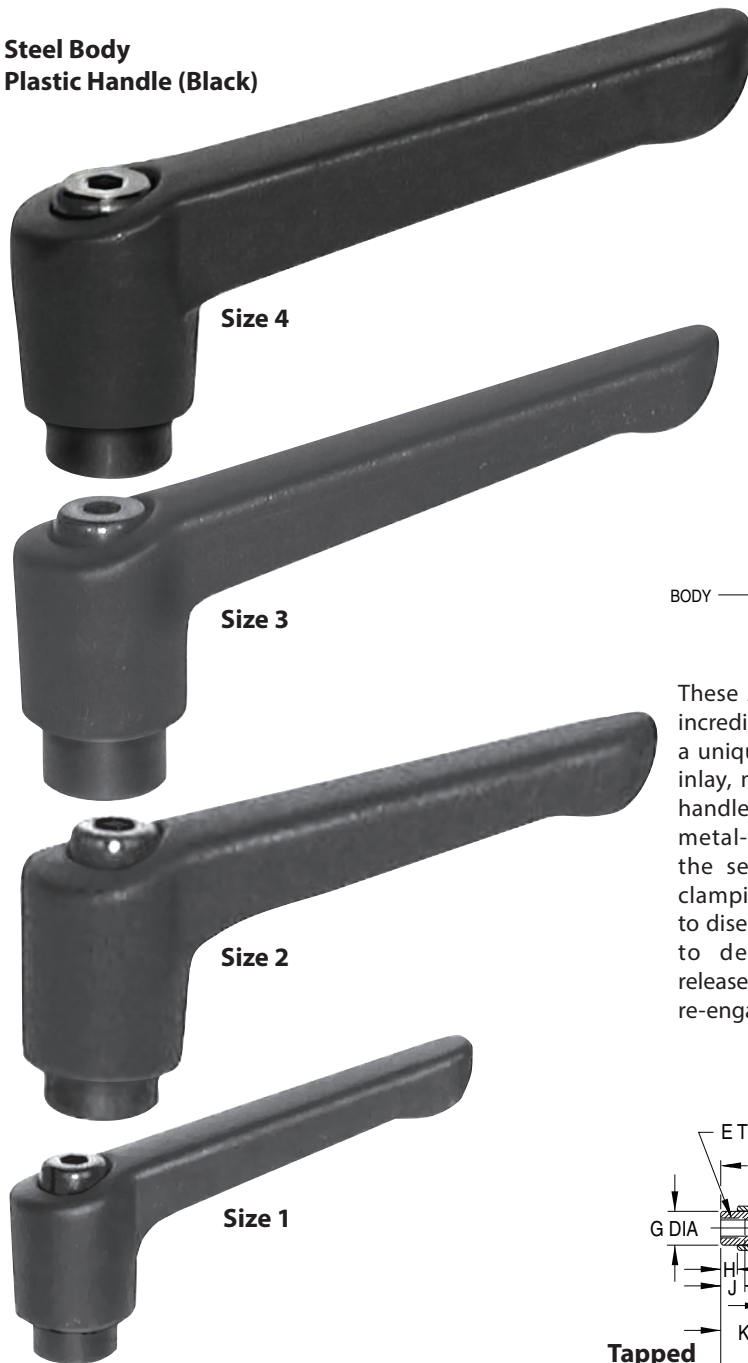
GENERAL DIMENSIONS

SIZE	A	B DIA	C	D	G DIA	H	K	L	M
2	2-9/16	3/4	3/8	1-1/8	17/32	1/4	11/16	1-11/16	1-7/8
3	3-1/8	7/8	7/16	1-1/2	5/8	13/32	15/16	2-3/16	2-5/16
4	3-3/4	1	1/2	1-11/16	3/4	13/32	1-1/16	2-1/2	2-11/16
5	4-5/16	1-1/4	5/8	2	15/16	15/32	1-5/16	2-15/16	3-1/8

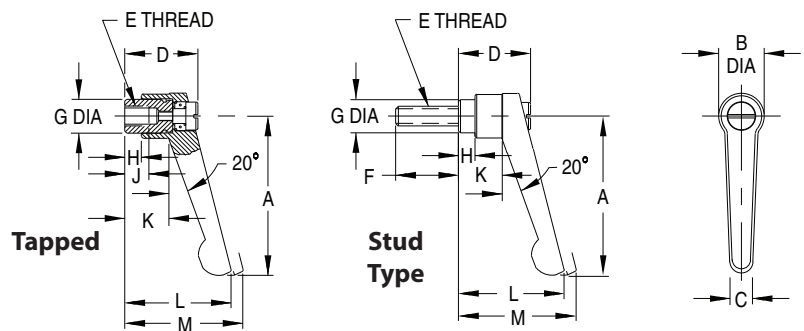
ADJUSTABLE HANDLES

HANDLE: FIBER-REINFORCED THERMOPLASTIC WITH STAINLESS STEEL INSERT
 BODY, SCREW, AND SPRING: STEEL, BLACK OXIDE FINISH

Steel Body
 Plastic Handle (Black)



These Adjustable Handles are incredibly strong! They feature a unique stainless steel spline inlay, molded into the plastic handle. This provides positive metal-to-metal mating with the serrated body, for high clamping torque. Lift handle to disengage serrations, rotate to desired position, then release handle to automatically re-engage spline.



TAPPED (INCH)

PART NO. STEEL BLACK	SIZE	E	J
CL-3-AHP-1	1	#10-32	.31
CL-4-AHP-1		1/4-20	
CL-4-AHP-2	2	1/4-20	.39
CL-5-AHP-2		5/16-18	
CL-5-AHP-3	3	5/16-18	.55
CL-6-AHP-3		3/8-16	
CL-6-AHP-4	4	3/8-16	.67
CL-8-AHP-4		1/2-13	

TAPPED (METRIC)

CLM-6-AHP-1	1	M6	.31
CLM-8-AHP-2	2	M8	.39
CLM-10-AHP-3	3	M10	.55
CLM-12-AHP-4	4	M12	.67

STUD TYPE (INCH)

PART NO. STEEL BLACK	SIZE	E	F
CL-408-AHP-1	1	1/4-20	.78
CL-416-AHP-1		1.57	
CL-508-AHP-2	2	5/16-18	.78
CL-516-AHP-2		1.57	
CL-525-AHP-2	3	3/8-16	2.48
CL-610-AHP-3		.98	
CL-616-AHP-3	4	1/2-13	1.57
CL-625-AHP-3		2.48	
CL-816-AHP-4	4	1/2-13	1.57
CL-825-AHP-4		2.48	

STUD TYPE (METRIC)

CLM-620-AHP-1	1	M6	.20
CLM-640-AHP-1		.40	
CLM-820-AHP-2	2	M8	.20
CLM-840-AHP-2		.40	
CLM-1030-AHP-3	3	M10	.32
CLM-1050-AHP-3		.50	

Adjustable handle that can be reset to any angle. Ideal for clamping in a confined space, or when a specific handle position is desired. Available in steel (with a black plastic handle) or stainless steel (with a metallic-gray plastic handle, **INFO+** see page 148). Rugged spring-loaded spline mechanism. Choice of four handle sizes. Available with a tapped hole or with an integral stud.



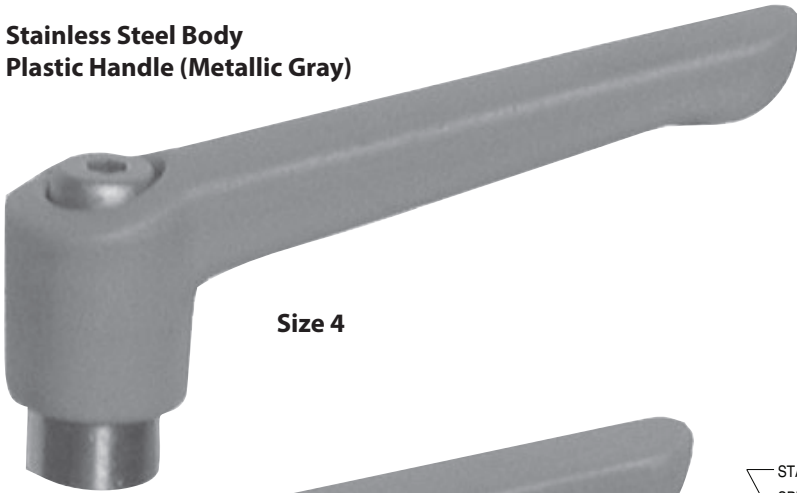
GENERAL DIMENSIONS

SIZE	A	B DIA	C	D	G DIA	H	K	L	M
1	1-3/4	19/32	5/16	31/32	3/8	5/32	7/16	1-3/8	1-1/2
2	2-1/2	3/4	13/32	1-7/32	17/32	1/4	13/16	1-25/32	1-15/16
3	3-1/16	7/8	17/32	1-7/16	5/8	5/16	7/8	2-5/32	2-5/16
4	3-5/8	1	9/16	1-11/16	3/4	7/16	1-3/16	2-9/16	2-23/32

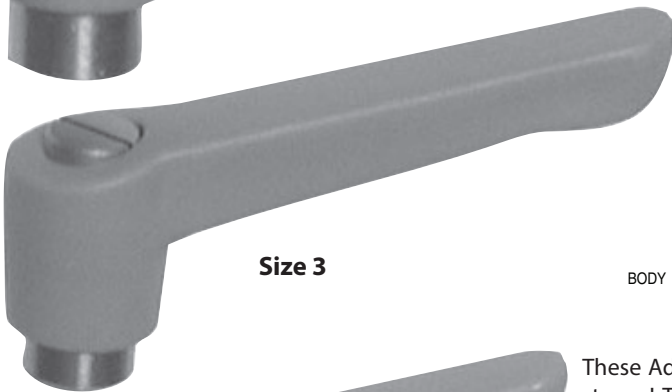
ADJUSTABLE HANDLES

HANDLE: FIBER-REINFORCED THERMOPLASTIC WITH STAINLESS STEEL INSERT
 BODY, SCREW, AND SPRING: 300-SERIES STAINLESS STEEL

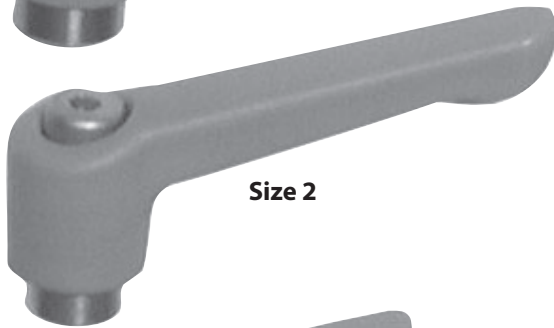
Stainless Steel Body
Plastic Handle (Metallic Gray)



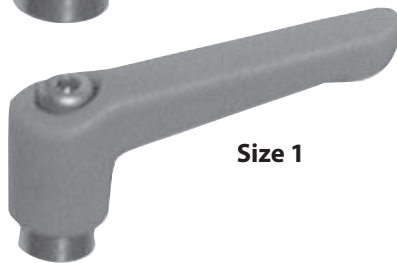
Size 4



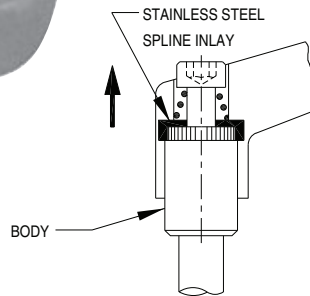
Size 3



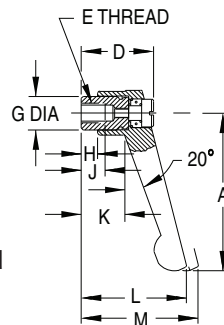
Size 2



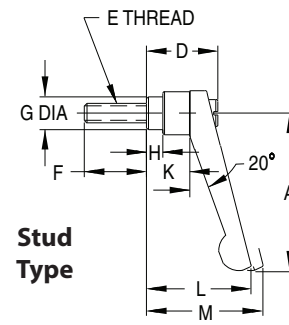
Size 1



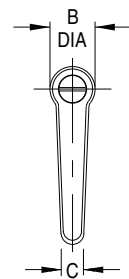
These Adjustable Handles are incredibly strong! They feature a unique stainless steel spline inlay, molded into the plastic handle. This provides positive metal-to-metal mating with the serrated body, for high clamping torque. Lift handle to disengage serrations, rotate to desired position, then release handle to automatically re-engage spline.



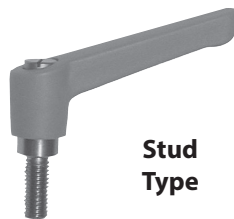
Tapped



Stud Type



Adjustable handle that can be reset to any angle. Ideal for clamping in a confined space, or when a specific handle position is desired. Available in stainless steel (with a metallic-gray plastic handle), or steel (with a black plastic handle, **INFO+**: see page 147). Rugged spring-loaded spline mechanism. Choice of four handle sizes. Available with a tapped hole or with an integral stud.



Stud Type

TAPPED (INCH)

PART NO. STAINLESS METALLIC GRAY	SIZE	E	J
CL-4-AHP-1-S	1	1/4-20	.31
CL-4-AHP-2-S	2	1/4-20	.39
CL-5-AHP-2-S		5/16-18	
CL-6-AHP-3-S	3	3/8-16	.55
CL-6-AHP-4-S	4	3/8-16	.67

STUD TYPE (INCH)

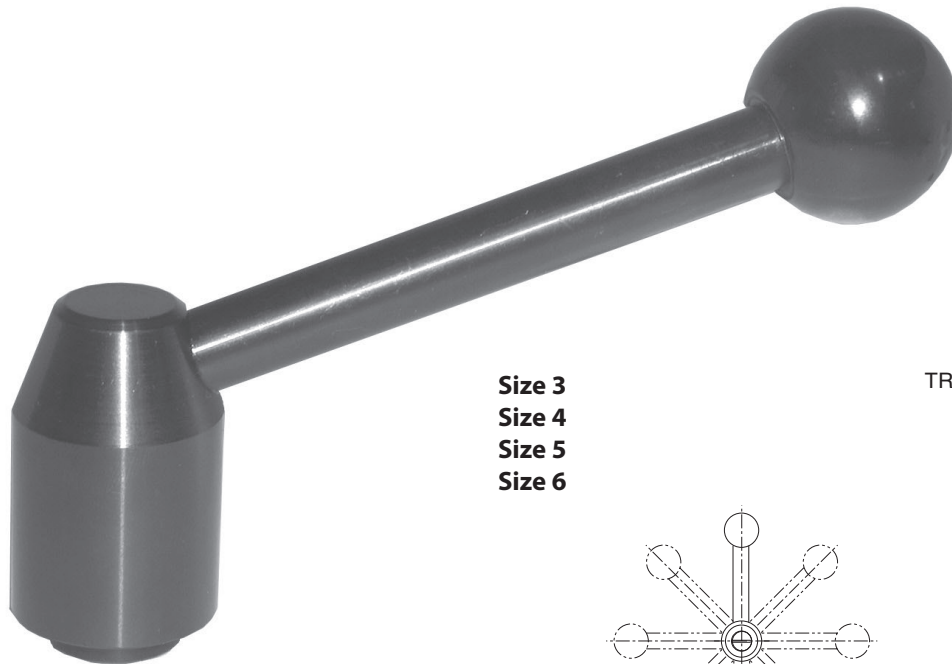
PART NO. STAINLESS METALLIC GRAY	SIZE	E	F
CL-408-AHP-1-S	1	1/4-20	.78
CL-416-AHP-1-S			1.57
CL-625-AHP-3-S	3	3/8-16	2.48
CL-813-AHP-4-S	4	1/2-13	1.26
CL-825-AHP-4-S			2.48

GENERAL DIMENSIONS

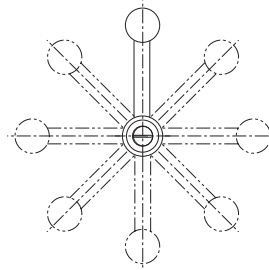
SIZE	A	B DIA	C	D	G DIA	H	K	L	M
1	1-3/4	19/32	5/16	31/32	3/8	5/32	7/16	1-3/8	1-1/2
2	2-1/2	3/4	13/32	1-7/32	17/32	1/4	13/16	1-25/32	1-15/16
3	3-1/16	7/8	17/32	1-7/16	5/8	5/16	7/8	2-5/32	2-5/16
4	3-5/8	1	9/16	1-11/16	3/4	7/16	1-3/16	2-9/16	2-23/32

ADJUSTABLE LEVER HANDLES

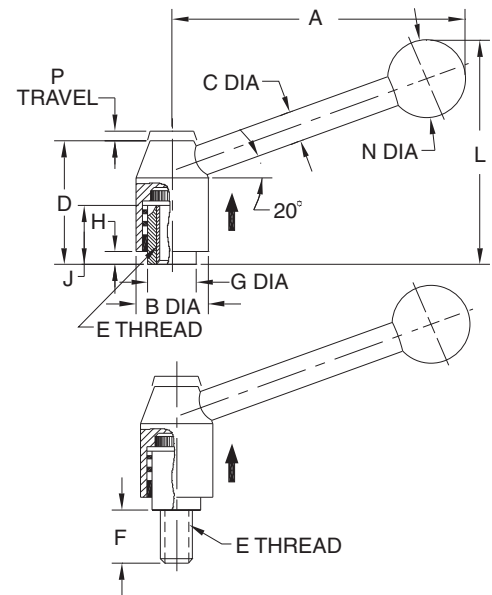
LEVER ARM, HUB, INSERT, AND SPRING: MILD STEEL, BLACK OXIDE FINISH
BALL KNOB: BLACK PHENOLIC PLASTIC



Size 3
Size 4
Size 5
Size 6



Steel



Heavy-duty adjustable handle that can be reset to any angle. Ideal for clamping in a confined space, or when a specific handle position is desired. Rugged spring-loaded spline mechanism. Lift handle to disengage serrations, rotate to desired position, then release handle to automatically re-engage spline. Available with a tapped hole or an integral stud.

STEEL — TAPPED (INCH)

PART NO.	SIZE	A	B DIA	C DIA	D	E	F	G	H	J	L	N DIA	P
CL-6-AHL-3	3	3.94	.94	.94	.94	.94	.94	.94	.10	.55	2.95	.98	.18
CL-8-AHL-4	4	4.53	1.10	1.10	1.10	1.10	1.10	1.10	.18	.67	3.54	1.18	
CL-12-AHL-6	6	5.71	1.57	1.57	1.57	1.57	1.57	1.57	.24	1.42	4.33	1.38	

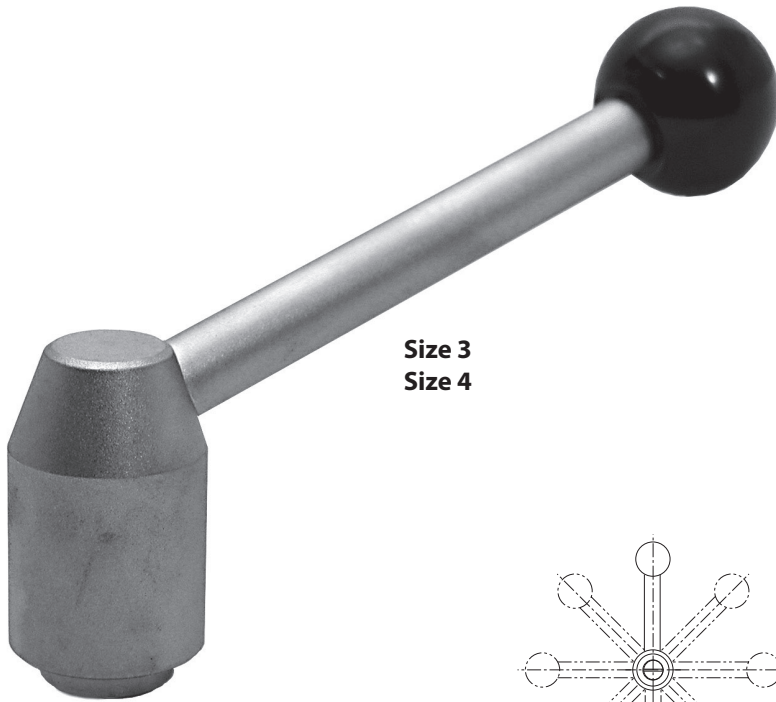
STEEL — STUD TYPE (INCH)

CL-613-AHL-3	3	3.94	.94	.39	1.57	3/8-16	1.26	.63	.10	—	2.95	.98	.18
CL-625-AHL-3							2.48						
CL-813-AHL-4	4	4.53	1.10	.47	1.91	1/2-13	1.26	.75	.18	—	3.54	1.18	
CL-825-AHL-4							2.48						
CL-1025-AHL-5	5	5.12	1.30	.47	2.17	5/8-11	.91	.24	—	3.94	1.26	.22	

ADJUSTABLE LEVER HANDLES

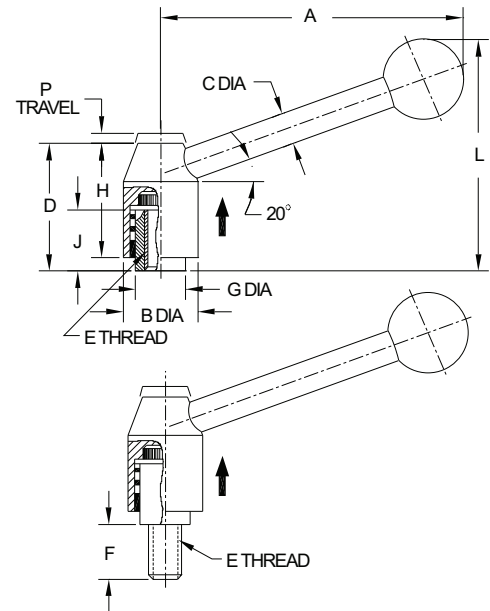
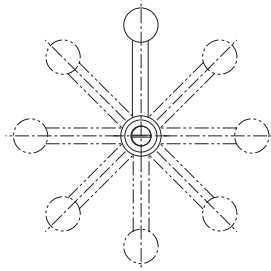
LEVER ARM, HUB, INSERT, AND SPRING: STAINLESS STEEL
BALL KNOB: PHENOLIC PLASTIC

3



Stainless Steel

Size 3
Size 4



Heavy-duty stainless steel adjustable handle that can be reset to any angle. Ideal for clamping in a confined space, or when a specific handle position is desired. Rugged spring-loaded spline mechanism. Lift handle to disengage serrations, rotate to desired position, then release handle to automatically re-engage spline. Available with a tapped hole or an integral stud.

STAINLESS STEEL — TAPPED (INCH)

PART NO.	SIZE	A	B DIA	C DIA	D	E	F	G	H	J	L	N DIA	P
CL-6-AHL-3-S	3	3.94	.94	.39	1.57	3/8-16	—	.63	.10	.55	2.95	.98	.18
CL-8-AHL-4-S	4	4.53	1.10	.47	1.91	1/2-13	—	.75	.18	.67	3.54	1.18	

BALL KNOBS

BLACK PHENOLIC, THERMOPLASTIC, OR CUSHION GRIP PLASTIC WITH BRASS INSERT

Phenolic — Tapped



3/8-16 CL-852-PB
3/8-24 CL-854-PB
1/2-13 CL-872-PB
5/8-18 CL-882-PB
M10 CLM-852-PB
M12 CLM-872-PB
M16 CLM-882-PB



3/8-16 CL-752-PB
1/2-13 CL-772-PB
M10 CLM-752-PB
M12 CLM-772-PB



1/4-20 CL-632-PB
5/16-18 CL-642-PB
3/8-16 CL-652-PB
3/8-24 CL-654-PB
1/2-13 CL-672-PB
1/2-20 CL-674-PB
M10 CLM-652-PB
M12 CLM-672-PB



1/4-20 CL-532-PB
5/16-18 CL-542-PB
3/8-16 CL-552-PB
3/8-24 CL-554-PB
M8 CLM-542-PB
M10 CLM-552-PB



#10-32 CL-424-PB
1/4-20 CL-432-PB
1/4-28 CL-234-PB
5/16-18 CL-442-PB
5/16-24 CL-444-PB
3/8-16 CL-452-PB
M6 CLM-432-PB
M8 CLM-442-PB



#8-32 CL-212-PB
#10-32 CL-224-PB
1/4-20 CL-232-PB
M5 CLM-222-PB
M6 CLM-232-PB

Phenolic — Tapped Recessed Top



3/8-16 CL-856-PB
3/8-24 CL-858-PB
1/2-13 CL-876-PB

Durable multi-purpose knob, suitable for many applications. Molded-in brass insert provides superior thread strength. Choice of seven ball sizes. The largest size is available with a recessed top (1-1/4" dia) for adding custom decals or inlays. Non-standard thread sizes, molded-in studs, or special colors (thermoplastic and cushion grip only) are available in quantities of 500 and above.

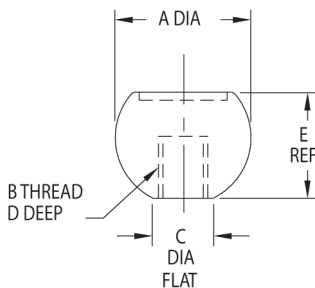
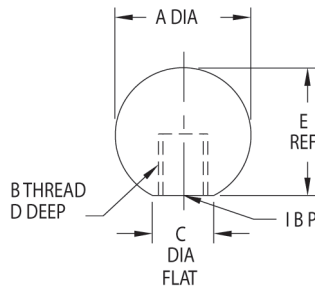
Choose From Three Materials

1. Phenolic plastic — glossy smooth finish, extremely hard, electrical insulator, operating temperatures to 300°F, resistant to oils and most common chemicals.
2. Thermoplastic — textured surface for improved gripping, excellent impact resistance, operating temperatures to 150°F.
3. Cushion Grip — unique plastic that feels soft to the touch, matte finish, comfortable yet rugged, excellent impact resistance, operating temperatures to 150°F, excellent gripability even when wet or oily, absorbs vibration.

PHENOLIC — TAPPED (INCH & METRIC)

PART NO.	A DIA	B	C DIA	D	E			
CL-212-PB	3/4	#8-32	3/8	5/16	45/64			
CL-224-PB		#10-32						
CL-232-PB		1/4-20						
CLM-222-PB		M5						
CLM-232-PB		M6						
CL-424-PB	1	#10-32	1/2	7/16	31/32			
CL-432-PB		1/4-20						
CL-234-PB		1/4-28						
CL-442-PB		5/16-18						
CL-444-PB		5/16-24						
CL-452-PB		3/8-16						
CLM-432-PB		M6						
CLM-442-PB		M8						
CL-532-PB		1/4-20				9/16	1/2	1-1/8
CL-542-PB		5/16-18						
CLM-542-PB	M8							
CL-632-PB	1-3/8	1/4-20	5/8	7/16	1-19/64			
CL-642-PB		5/16-18						
CL-652-PB		3/8-16						
CL-654-PB		3/8-24						
CL-672-PB		1/2-13						
CL-674-PB		1/2-20						
CLM-652-PB		M10						
CLM-672-PB		M12						
CL-752-PB	1-5/8	3/8-16	11/16	5/8	1-37/64			
CL-772-PB		1/2-13						
CLM-772-PB		M12						
CL-852-PB	1-7/8	3/8-16	3/4	5/8	1-51/64			
CL-854-PB		3/8-24						
CL-872-PB		1/2-13						
CL-882-PB*		5/8-18						
CLM-852-PB		M10						

* This size is solid plastic, without a brass insert.



PHENOLIC — TAPPED RECESSED TOP (INCH)

PART NO.	A DIA	B	C DIA	D	E
CL-856-PB	1-7/8	3/8-16	3/4	1/2	1-15/32
CL-858-PB		3/8-24			
CL-876-PB		1/2-13			

BALL KNOBS

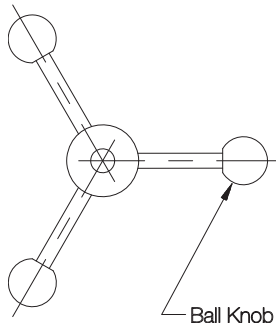
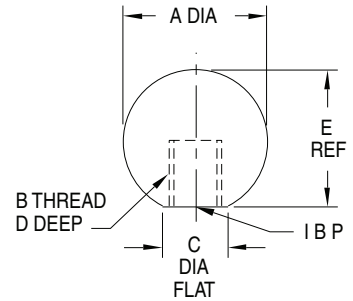
BLACK PHENOLIC, THERMOPLASTIC, OR CUSHION-GRIP PLASTIC WITH BRASS INSERT

Thermoplastic — Tapped



1/4-20 CL-6320-PB
 5/16-18 CL-6420-PB
 3/8-16 CL-6520-PB
 1/2-13 CL-6720-PB

Ball Knobs are now available in three materials: phenolic plastic, thermoplastic, and cushion-grip plastic.



Cushion Grip — Tapped



1/4-20 CL-6325-PB
 5/16-18 CL-6425-PB
 3/8-16 CL-6525-PB
 1/2-13 CL-6725-PB

THERMOPLASTIC — TAPPED (INCH)

PART NO.	A DIA	B	C DIA	D	E
CL-6420-PB	1-1/2	5/16-18	5/8	5/8	1-15/64
CL-6520-PB		3/8-16			

CUSHION GRIP — TAPPED (INCH)

PART NO.	A DIA	B	C DIA	D	E
CL-6325-PB	1-1/2	1/4-20	5/8	5/8	1-15/64
CL-6425-PB		5/16-18			
CL-6525-PB		3/8-16			
CL-6725-PB		1/2-13			

OVAL BALL KNOBS

BLACK PHENOLIC PLASTIC WITH BRASS INSERT

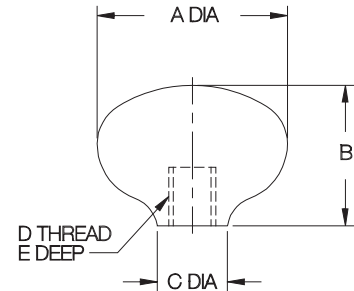
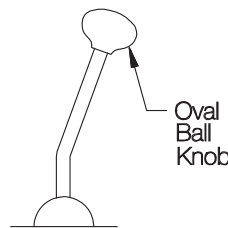
Phenolic — Tapped



3/8-16 CL-852-OBK
 3/8-24 CL-854-OBK
 1/2-13 CL-872-OBK



1/4-20 CL-532-OBK
 5/16-18 CL-542-OBK
 3/8-16 CL-552-OBK



PHENOLIC — TAPPED (INCH)

PART NO.	A DIA	B	C DIA	D	E
CL-532-OBK	1-1/8	1-7/16	1/2	1/4-20	7/16
CL-542-OBK				5/16-18	
CL-552-OBK				3/8-16	1/2
CL-852-OBK	2-1/32	1-1/2	3/4	3/8-16	1/2
CL-854-OBK				3/8-24	
CL-872-OBK				1/2-13	5/8

Comfortable-grip ball knobs that are ideal for shift levers, control levers and push/pull rods. Molded-in brass insert provides superior thread strength. Choice of two shapes. Non-standard thread sizes or molded-in studs are available in quantities of 500 and above.

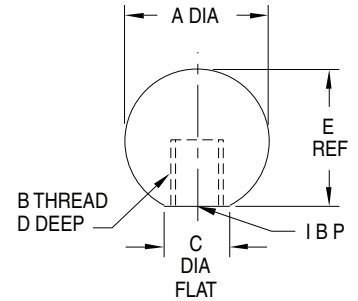
BALL KNOBS

1018 STEEL, BLACK OXIDE FINISH, OR 316 STAINLESS STEEL

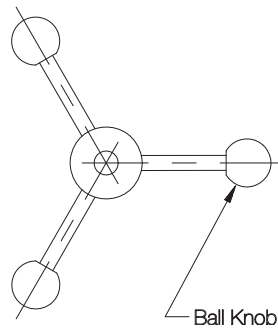


Steel — Tapped

1/4-20	CL-632-SBK
5/16-18	CL-642-SBK
3/8-16	CL-652-SBK
1/2-13	CL-672-SBK
M6	CLM-632-SBK
M8	CLM-642-SBK
M10	CLM-652-SBK
M12	CLM-672-SBK



Heavy-duty knob handle made of steel with a black oxide finish. This durable, multi-purpose knob is suitable for many applications. Ideal when added weight is desirable for easier lever actuation.



STEEL — TAPPED (INCH)

PART NO.	A DIA	B	C DIA	D	E
CL-632-SBK	1-1/2	1/4-20	5/8	9/16	1-7/16
CL-642-SBK		5/16-18			
CL-652-SBK		3/8-16			
CL-672-SBK		1/2-13			

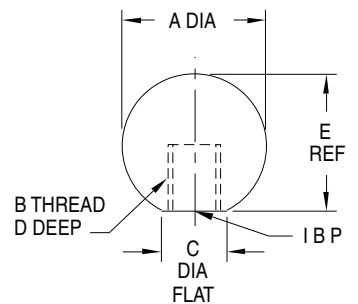
STEEL — TAPPED (METRIC)

PART NO.	A DIA	B	C DIA	D	E
CLM-672-SBK	1-1/2	M12	5/8	5/8	1-7/16



Stainless Steel — Tapped

1/4-20	CL-632-SBK-S
5/16-18	CL-642-SBK-S
3/8-16	CL-652-SBK-S
1/2-13	CL-672-SBK-S
M6	CLM-632-SBK-S
M8	CLM-642-SBK-S
M10	CLM-652-SBK-S
M12	CLM-672-SBK-S



Heavy-duty knob handle made of type 316 stainless steel for excellent corrosion resistance. This durable, multi-purpose knob is suitable for many applications, including marine and chemical environments. Ideal when added weight is desirable for easier lever actuation. Attractive polished finish.

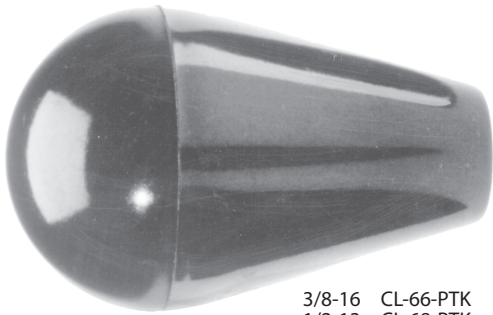
STAINLESS STEEL — TAPPED (INCH)

PART NO.	A DIA	B	C DIA	D	E
CL-632-SBK-S	1-1/2	1/4-20	5/8	9/16	1-7/16
CL-642-SBK-S		5/16-18			
CL-652-SBK-S		3/8-16			
CL-672-SBK-S		1/2-13			

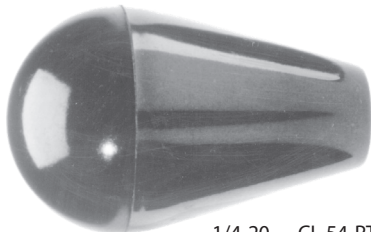
OVAL TAPERED KNOBS

BLACK PHENOLIC OR CUSHION-GRIP PLASTIC WITH BRASS INSERT

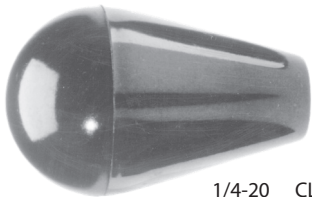
Phenolic — Tapped



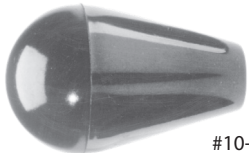
3/8-16 CL-66-PTK
1/2-13 CL-68-PTK
M10 CLM-610-PTK
M12 CLM-612-PTK



1/4-20 CL-54-PTK
5/16-18 CL-55-PTK
M8 CLM-58-PTK

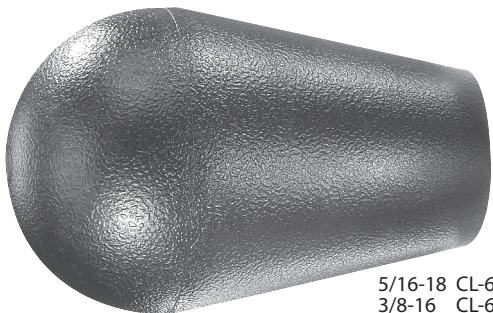


1/4-20 CL-44-PTK
5/16-18 CL-45-PTK
3/8-16 CL-46-PTK
M6 CLM-46-PTK



#10-32 CL-23-PTK
1/4-20 CL-24-PTK
M6 CLM-26-PTK

Cushion Grip — Tapped



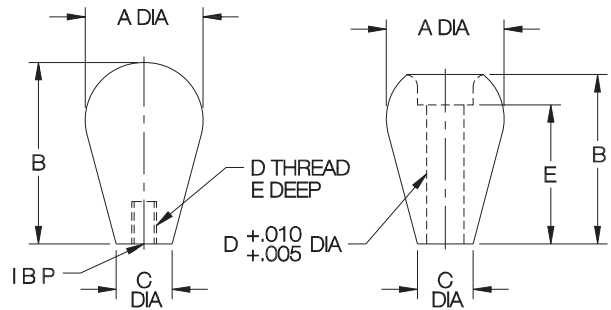
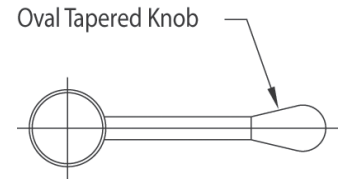
5/16-18 CL-650-PTK
3/8-16 CL-660-PTK

Attractive design suitable for control levers and push/pull rods. Molded-in brass insert provides superior thread strength. The solid-plastic through-hole version can be used with a Shoulder Screw as a revolving crank handle. Choice of four knob sizes. Non-standard thread sizes, molded-in studs, or special colors (cushion grip only) are available in quantities of 500 and above.

Phenolic — Through Hole



3/8 Dia CL-560-PTK



PHENOLIC — TAPPED (INCH & METRIC)

PART NO.	A DIA	B	C DIA	D	E
CL-23-PTK	3/4	1-1/4	3/8	#10-32	5/16
CL-24-PTK*				1/4-20	7/16
CLM-26-PTK*				M6	
CL-44-PTK	1	1-5/8	1/2	1/4-20	7/16
CL-45-PTK				5/16-18	
CL-46-PTK				3/8-16	
CLM-46-PTK				M6	
CL-54-PTK	1-3/16	1-7/8	9/16	1/4-20	7/16
CL-55-PTK				5/16-18	
CLM-58-PTK				M8	
CL-66-PTK	1-5/8	2-1/2	7/8	3/8-16	1/2
CL-68-PTK				1/2-13	5/8
CLM-610-PTK				M10	1/2
CLM-612-PTK				M12	5/8

PHENOLIC — THROUGH HOLE

CL-560-PTK*	1-3/16	1-3/4	9/16	.375	1-7/16
-------------	--------	-------	------	------	--------

CUSHION GRIP — TAPPED (INCH)

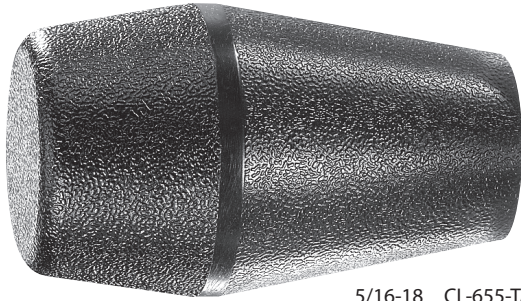
CL-650-PTK	1-5/8	2-1/2	7/8	5/16-18	5/8
CL-660-PTK				3/8-16	

* These sizes are solid plastic, without a brass insert.

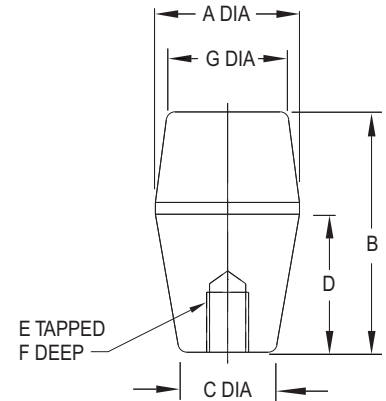
TAPERED KNOBS

BLACK CUSHION-GRIP PLASTIC WITH BRASS INSERT

Cushion Grip — Tapped



5/16-18 CL-655-TAPK
 3/8-16 CL-665-TAPK
 1/2-13 CL-685-TAPK



Attractive square design, ideal for lever handles. Made from Cushion Grip plastic, a unique material that feels soft to the touch, comfortable yet rugged. Textured non-slip, non-glare finish. Molded-in brass insert provides superior thread strength. Non-standard thread sizes, molded-in studs, or special colors are available in quantities of 500 and above.

CUSHION GRIP — TAPPED (INCH)

PART NO.	A DIA	B	C DIA	D DIA	E	F	G DIA
CL-655-TAPK					5/16-18	3/4	
CL-665-TAPK	1-1/2	2-1/2	15/16	1-1/2	3/8-16	5/8	1-1/8
CL-685-TAPK					1/2-13		

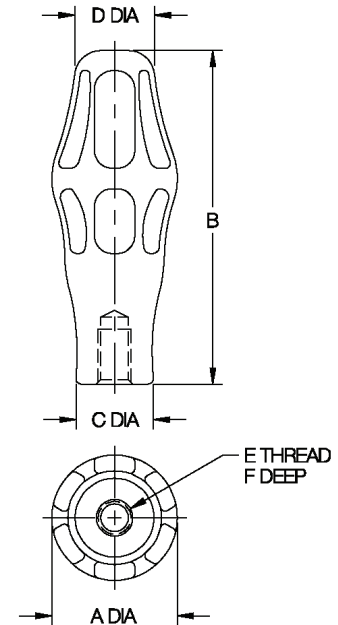
PALM-GRIP HANDLES

BLACK THERMOPLASTIC WITH BRASS INSERT

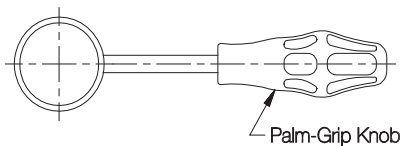
Thermoplastic — Tapped



1/4-20 CL-632-PGH
 5/16-18 CL-642-PGH
 3/8-16 CL-652-PGH



This unique, ergonomically designed handle provides an extremely comfortable grip. Greatly reduces stress on hands, wrists, and arms to help eliminate the risk of repetitive-motion disorders. Textured non-slip, non-glare finish. Molded-in brass insert provides superior thread strength. Non-standard thread sizes, molded-in studs, or special colors are available in quantities of 500 and above.



THERMOPLASTIC — TAPPED (INCH)

PART NO.	A DIA	B	C DIA	D DIA	E	F
CL-632-PGH					1/4-20	7/8
CL-642-PGH	1-3/8	3-3/4	7/8	7/8	5/16-18	5/8
CL-652-PGH					3/8-16	

KNOB HANDLES

BLACK CUSHION-GRIP PLASTIC. TAPPED VERSION WITH BRASS INSERT

3



5/16-18 CL-855-KH
3/8-16 CL-865-KH
3/8 DIA CL-866-KH

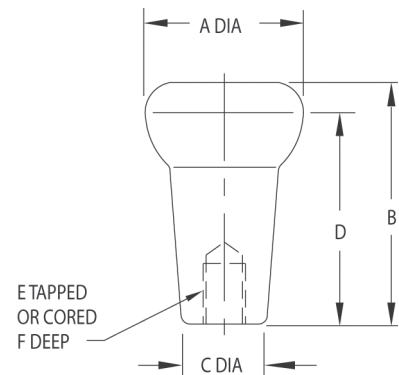


5/16-18 CL-655-KH
3/8-16 CL-665-KH
3/8 DIA CL-666-KH

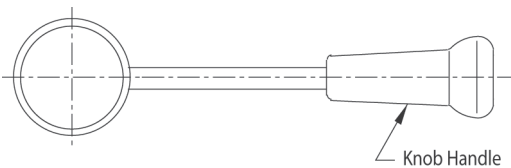


5/16-18 CL-455-KH
3/8-16 CL-465-KH
3/8 DIA CL-466-KH

**Cushion Grip —
Tapped or Cored**



Tapered handle with a knob end for secure gripping. Made from Cushion-Grip plastic, a unique material that feels soft to the touch, comfortable yet rugged. Non-slip, non-glare finish. Molded-in brass insert on the tapped version provides superior thread strength. Optionally available with a plain cored hole to press fit on a shaft. The cored hole is somewhat undersize to grip tightly on a nominal-size shaft without requiring pinning. Non-standard thread sizes, molded-in studs, or special colors are available in quantities of 500 and above.



Combination knob and tapered handle. The knob end helps prevent operator's hand from sliding off the handle.

CUSHION GRIP — TAPPED (INCH)

PART NO.	A DIA	B	C DIA	D	E	F
CL-455-KH	1-3/8	2-1/8	13/16	11-1/4	5/16-18	5/8
CL-465-KH					3/8-16	
CL-665-KH	1-5/8	2-1/2	7/8	1-1/2	3/8-16	7/16
CL-855-KH	1-1/2	4-3/8		3-1/2	5/16-18	
CL-865-KH			3/8-16	1/2		

CUSHION GRIP — CORED

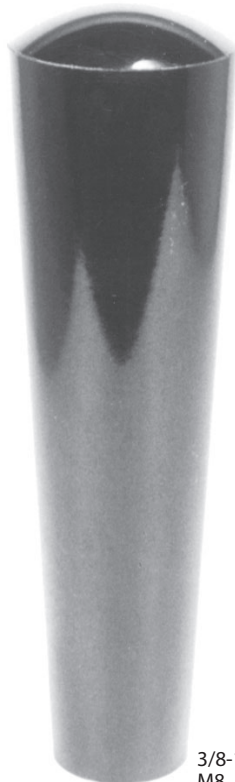
PART NO.	A DIA	B	C DIA	D	E		F
					FOR SHAFT DIA	ACTUAL DIA	
CL-466-KH	1-3/8	2-1/8	13/16	1-1/4	3/8	.312-.327	1
CL-666-KH	1-5/8	2-1/2	7/8	1-1/2			

TAPERED HANDLES

BLACK PHENOLIC PLASTIC WITH BRASS INSERT



1/2-13 CL-3-PH
M10 CLM-10-PH



3/8-16 CL-2-PH
M8 CLM-8-PH



1/4-20 CL-1-PH
5/16-18 CL-15-PH
3/8-16 CL-16-PH
M6 CLM-6-PH
M8 CLM-18-PH



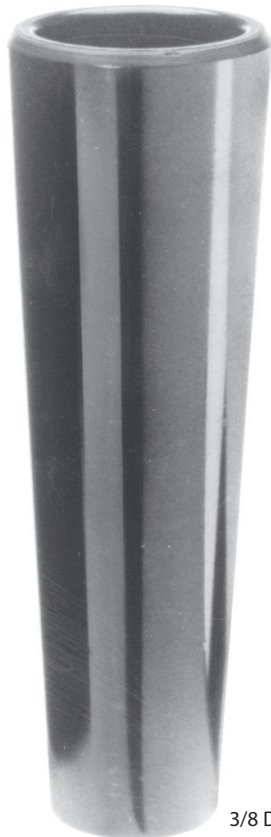
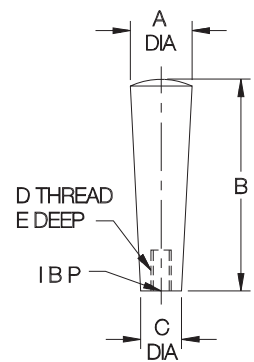
1/4-20 CL-0-PH
5/16-18 CL-05-PH
M6 CLM-06-PH
M8 CLM-08-PH



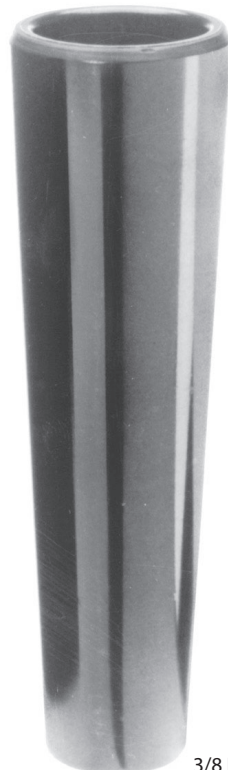
#10-32 CL-00-PH
M5 CLM-005-PH

Phenolic —
Tapped

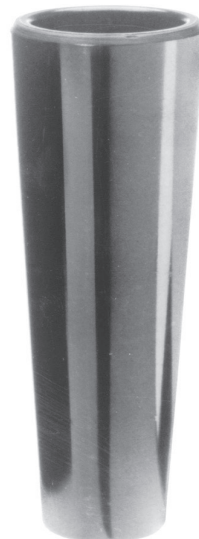
Heavy-duty design that makes an excellent grasp handle or machine shift lever. Molded-in brass insert provides superior thread strength. The solid-plastic through-hole version can be used with a Shoulder Screw as a revolving crank handle. Choice of five handle sizes. Non-standard thread sizes or molded-in studs are available in quantities of 500 and above.



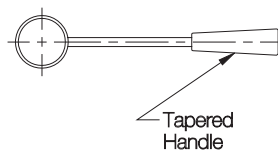
3/8 Dia CL-30-PH



3/8 Dia CL-20-PH

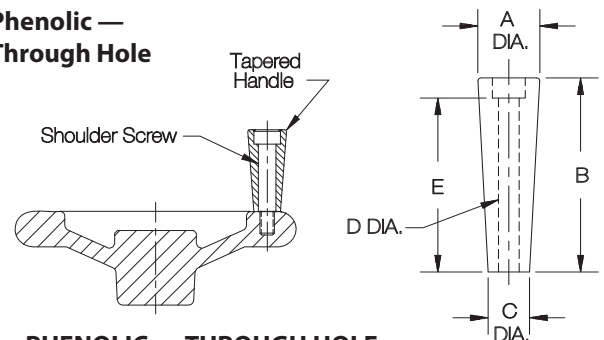


1/4 Dia CL-10-PH



Tapered
Handle

Phenolic —
Through Hole



PHENOLIC — THROUGH HOLE

PART NO.	A DIA	B	C DIA	D		E
				NOMINAL	ACTUAL	
CL-10-PH*	1	2-9/16	5/8	1/4	.251/.256	5/8
CL-20-PH*	1-1/8	3-11/16	3/4	3/8	.380/.385	2-5/8
CL-30-PH*	1-3/8	4-3/32	1	3/8	.380/.390	2-5/8

* This size is solid plastic, without a brass insert.

3

PULL KNOBS

BLACK PHENOLIC PLASTIC WITH BRASS INSERT

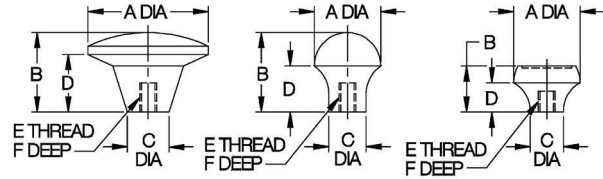


**Phenolic—Tapped
Flat Top**

1/4-20 CL-632-PK
5/16-18 CL-642-PK
3/8-16 CL-652-PK
M8 CLM-642-PK

#10-32 CL-424-PK
1/4-20 CL-432-PK
M5 CLM-422-PK
M6 CLM-432-PK

Versatile knob with an enlarged head for pulling, pushing, or lifting. Molded-in brass insert provides superior thread strength. Choice of three types, in two sizes each. Non-standard thread sizes or molded-in studs are available in quantities of 500 and above.



3



**Phenolic—Tapped
Oval Top**

3/8-24 CL-654-PKO

#10-32 CL-424-PKO
1/4-20 CL-432-PKO
M5 CLM-422-PKO
M6 CLM-432-PKO

PHENOLIC — TAPPED, FLAT TOP (INCH & METRIC)

PART NO.	A DIA	B	C DIA	D	E	F
CL-424-PK	1-3/8	7/8	5/8	5/8	#10-32	5/16
CL-432-PK					1/4-20	7/16
CLM-422-PK					M5	5/16
CLM-432-PK					M6	7/16
CL-632-PK	1-13/16	1-3/16	5/8	7/8	1/4-20	7/16
CL-642-PK					5/16-18	
CL-652-PK					3/8-16	1/2
CLM-642-PK					M8	

PHENOLIC — TAPPED, OVAL TOP (INCH & METRIC)

CL-424-PKO	1	1-3/16	9/16	11/16	#10-32	5/16
CL-432-PKO					1/4-20	7/16
CLM-422-PKO					M5	5/16
CLM-432-PKO					M6	7/16
CL-654-PKO	1-5/8	1	5/8	3/8	3/8-24	1/2



**Phenolic—Tapped
Recessed Top**

#10-32 CL-424-PKR
1/4-20 CL-432-PKR

#6-32 CL-202-PKR
#8-32 CL-212-PKR
#10-32 CL-224-PKR
1/4-20 CL-232-PKR

PHENOLIC — TAPPED, RECESSED TOP (INCH)

CL-202-PKR	3/4	3/4	1/2	21/32	#6-32	5/16
CL-212-PKR					#8-32	
CL-224-PKR					#10-32	
CL-232-PKR					1/4-20	
CL-424-PKR	1	11/16	1/2	7/16	#10-32	5/16
CL-432-PKR					1/4-20	

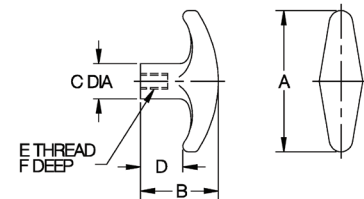
T HANDLES

BLACK PHENOLIC PLASTIC WITH BRASS INSERT

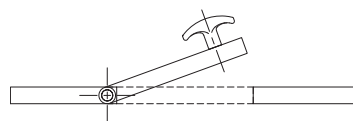


Phenolic—Tapped

Easy-gripping handle for push/pull applications, such as release latches and cabinet doors. Molded-in brass insert provides superior thread strength. Non-standard thread sizes or molded-in studs are available in quantities of 500 and above.



#10-32 CL-424-TH
1/4-20 CL-432-TH
1/4-28 CL-434-TH
5/16-18 CL-442-TH
M5 CLM-422-TH
M6 CLM-432-TH
M8 CLM-442-TH



PHENOLIC — TAPPED (INCH & METRIC)

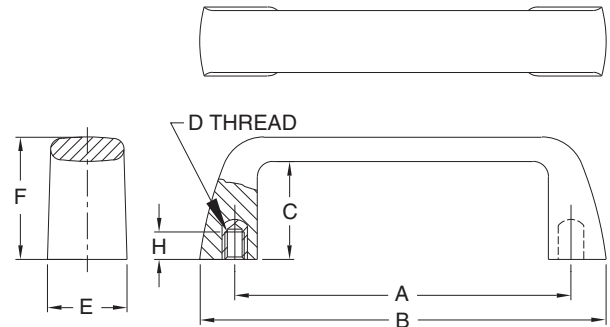
PART NO.	A	B	C DIA	D	E	F
CL-424-TH	2-1/4	1-1/4	9/16	11/16	#10-32	5/16
CL-432-TH					1/4-20	
CL-434-TH					1/4-28	7/16
CL-442-TH					5/16-18	5/16
CLM-422-TH					M5	
CLM-432-TH					M6	
CLM-442-TH					M8	

PULL HANDLES

BLACK THERMOPLASTIC WITH BRASS INSERT



**Square Design
Thermoplastic
Tapped**



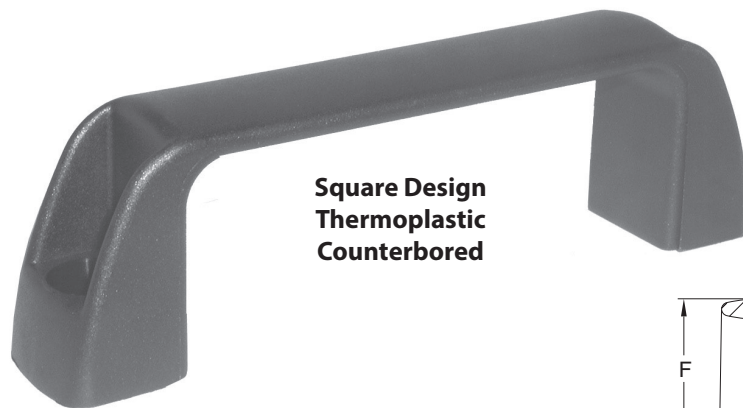
TAPPED (INCH)

PART NO.	A	B	C	D	E	F	H
CL-105-PHS-4	4.13	4.76	1.14	1/4-20	1.02	1.46	.35
CL-117-PHS-5	4.61	5.24	1.26	5/16-18		1.57	

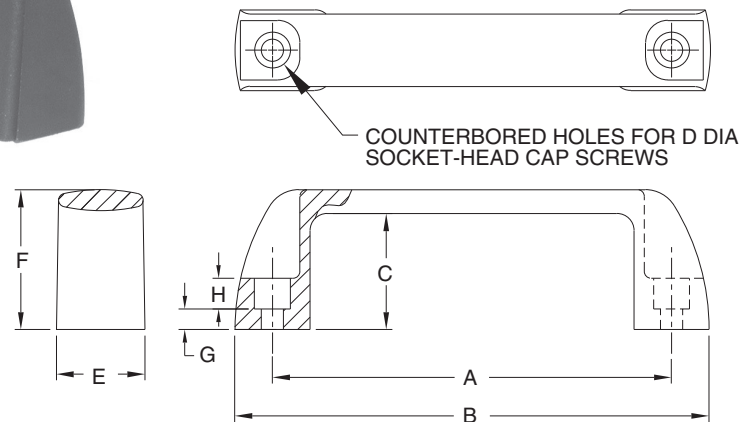
Attractive, modern-design handle that provides a comfortable grip with good ergonomic features. Excellent durability. Textured non-slip, non-glare finish. Molded-in brass insert provides superior thread strength. Black fiber-reinforced nylon thermoplastic (textured surface for secure gripping, excellent impact resistance, operating temperatures to 230°F). Choice of two handle sizes, available with either inch or metric threads.

TAPPED (METRIC)

PART NO.	A (mm)	B (mm)	C (mm)	D THREAD	THREAD PITCH (mm)	E (mm)	F (mm)	H (mm)
CLM-105-PHS-6	105	121	29	M6	1	26	37	9
CLM-117-PHS-8	117	133	32	M8	1.25	26	40	9



**Square Design
Thermoplastic
Counterbored**



COUNTERBORED

PART NO.	A	B	C	D DIA	E	F	G	H
CL-94-PHSC-4	3.68	4.41	1.18	1/4 or M6	.83	1.42	.24	.28
CL-117-PHSC-5	4.61	5.47	1.34		1.02	1.61	.24	
CL-132-PHSC-5	5.20	6.14	1.46	5/16 or M8	1.06	1.77	.28	
CL-179-PHSC-5	7.05	8.03	1.65		1.10	1.97	.31	

Attractive, modern-design handle that provides a comfortable grip with good ergonomic features. Excellent durability. Textured non-slip, non-glare finish. Counterbored for Socket-Head Cap Screws. Choice of four handle sizes. Black fiber-reinforced nylon thermoplastic (textured surface for secure gripping, excellent impact resistance, operating temperatures to 230°F).

PULL HANDLES

ALUMINUM, BLACK POWDER-COATED FINISH, OR 304 STAINLESS STEEL

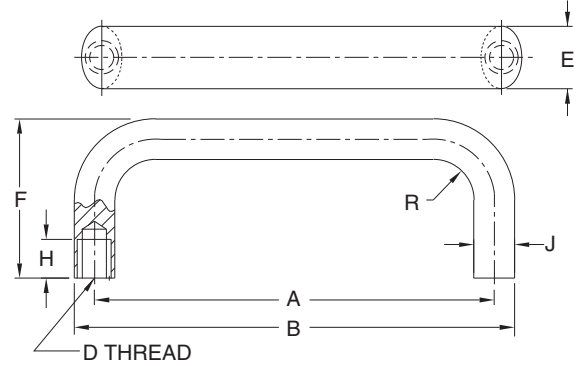
3



**Rounded Design
Aluminum
Tapped**



**Rounded Design
Stainless Steel
Tapped**



ALUMINUM — TAPPED (INCH)

PART NO.	A	B	D	E	F	H	J	R
CL-112-PHR-4	4.41	4.92	1/4-20	.79	1.93	.39	.51	.51
CL-128-PHR-4	5.04	5.55			2.01			
CL-160-PHR-5	6.30	6.97	5/16-18	1.02	2.24	.47	.67	.67
CL-192-PHR-5	7.56	8.23						

ALUMINUM — TAPPED (METRIC)

PART NO.	A (mm)	B (mm)	D THREAD	THREAD PITCH (mm)	E (mm)	F (mm)	H (mm)	J (mm)	R (mm)
CLM-112-PHR-6	112	125	M6	1	20	49	10	13	13
CLM-128-PHR-6	128	141	M6	1	20	51	10	13	13
CLM-160-PHR-8	160	177	M8	1.25	26	57	12	17	17
CLM-192-PHR-8	192	209	M8	1.25	26	57	12	17	17

STAINLESS STEEL — TAPPED (METRIC)

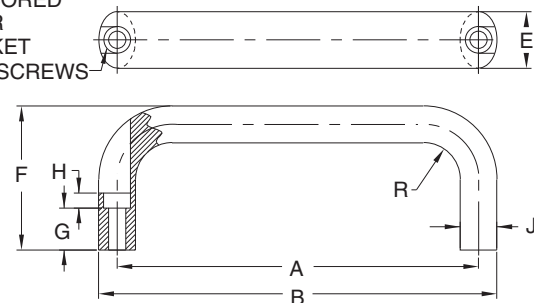
PART NO.	A (mm)	B (mm)	D THREAD	THREAD PITCH (mm)	E (mm)	F (mm)	H (mm)	J (mm)	R (mm)
CLM-112-PHR-6-S	112	125	M6	1	20	49	10	13	13
CLM-128-PHR-6-S	128	141	M6	1	20	51	10	13	13

Attractive, modern-design aluminum handle provides a comfortable grip with good ergonomic features. Durable black powder-coated pebble finish. Tapped holes for mounting. Choice of four handle sizes, available with either inch or metric threads. Also available in stainless steel, shot blasted with a satin finish (two sizes).



**Rounded Design
Aluminum
Counterbored**

COUNTERBORED HOLES FOR D DIA SOCKET HEAD CAP SCREWS



ALUMINUM — COUNTERBORED

PART NO.	A	B	D	E	F	G	H	J	R
CL-116-PHRC-4	4.57	5.12	1/4 or M6	1.02	2.17	.43	.24	.67	.67
CL-132-PHRC-4	5.20	5.75			2.24				
CL-164-PHRC-4	6.46	7.01							
CL-196-PHRC-4	7.72	8.27							

Similar to the handles above, except counterbored for Socket-Head Cap Screws. Attractive, modern-design aluminum handle provides a comfortable grip with good ergonomic features. Durable black powder-coated pebble finish. Choice of four handle sizes.