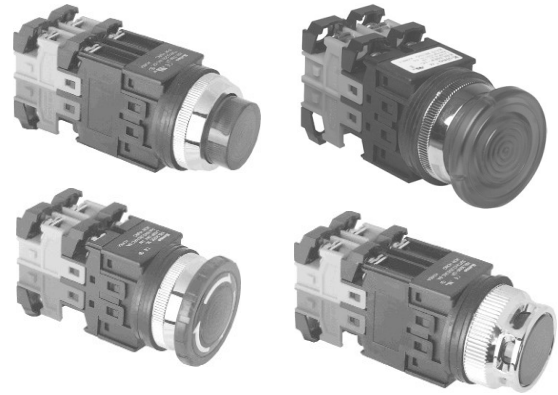


ILLUMINATED PUSH BUTTON SWITCH **KBL25/30 Series**



CLASSIFICATION

KBL 25WM - 1C R 1 1

① ② ③ ④ ⑤ ⑥ ⑦

① PANEL CUT	25	φ 25
	30	φ 30
② PROTECTION	NONE	IP40
	W	IP65
③ ACTUATOR	M	PUSH BUTTON, MOMENTARY
	MP	PUSH BUTTON WITH PROTECTIVE RING, MOMENTARY
	AT	PUSH BUTTON, MAINTAINED
	AP	PUSH BUTTON WITH PROTECTIVE RING, MAINTAINED
	EM	MUSHROOM HEADED PUSH BUTTON, MOMENTARY
	EA	MUSHROOM HEADED PUSH BUTTON, MAINTAINED
	ER	MUSHROOM HEADED PUSH BUTTON, TURN TO RESET
	EP	MUSHROOM HEADED PUSH BUTTON, PULL TO RESET
④ LAMP TYPE	NONE	FILAMENT AMP
	L	LED LAMP
⑤ INPUT VOLTAGE	1A	110VAC AT 50/60 Hz
	2A	220VAC AT 50/60 Hz
	3A	230VAC AT 50/60 Hz
	1C	6V AC/DC
	2C	12V AC/DC
	3C	24 AC/DC
⑥ LAMP COLOR	R	RED
	G	GREEN
	Y	YELLOW
	B	BLUE
	W	WHITE
	O	ORANGE
⑦ CONTACTS	NUMBER	NUMBER OF NO CONTACT
	NUMBER	NUMBER OF NC CONTACT

CONTROL COMPONENTS

MICRO SWITCH

FOOT SWITCH

LIMIT SWITCH

POWER SWITCH

HOIST SWITCH

CAM SWITCH