

A C D E

Self Priming Centrifugal Pump



Models 11 1/2A2-E2 1P/3P, 11 1/2A3-E2 1P/3P,
and 11 1/2A52-E2 1P/3P

Size 1 1/2" x 1 1/2"

PUMP SPECIFICATIONS

Size: 1-1/2" x 1-1/2" (38 mm x 38 mm) NPT - Female.

Casing: Gray Iron 30.

Maximum Operating Pressure 48 psi (331 kPa).*

Semi-Open Type, Two Vane Impeller: Gray Iron 30.

Handles 1" (25.4 mm) Diameter Spherical Solids.

Impeller Shaft: Stainless Steel 416 (Provided with Motor).

Seal Liner: (11 1/2A2-E2) Copper Alloy C26000.

Shaft Sleeve: (11 1/2A3-E2 and 11 1/2A52-E2)
Stainless Steel 304.

Replaceable Wear Plate: Steel 1026.

Removable Cover Plate: Gray Iron 30; 5 lbs. (3 kg).

Intermediate: Gray Iron 30.

Flap Valve: Steel, Gray Iron 30 and Buna-N w/Nylon
Reinforcement.

Suction Flange: Gray Iron 30.

Gaskets: Cork w/Nitrile Binder and Vegetable Fiber.

Hardware: Standard Plated Steel.

Strainer.



MOTOR SPECIFICATIONS

Type: Totally Enclosed; Fan Cooled.

Horsepower: 2.

Frame Size: 56.

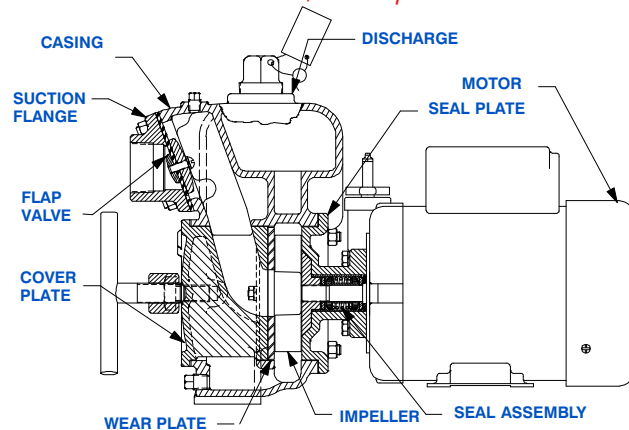
RPM: 3450.

Voltage: Single Phase - 115V/230V; 60 Hz; 1.15 S.F.;
Capacitor Start; Induction Run; Thermal-Overload
Protection; 23/11.5 Approx. Full Load Amps.

Three Phase - 208/230V/460V; 60 Hz; 1.15 S.F.;
Induction Start; Induction Run; 5.7/5.4/2.7 Approx. Full
Load Amps.

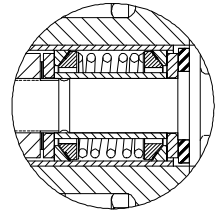
Optional Equipment: Consult Factory.

**Consult Factory for Applications Exceeding
Maximum Pressure and/or Temperature Indicated.*



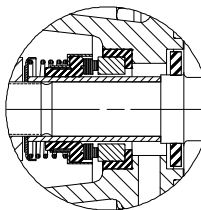
11 1/2A2-E2 1P/3P SEAL DETAIL

Double, Grease-Lubricated with Spring Loaded Grease Cup. Sintered Bronze Stationary Seal Seats. Steel Rotating Faces. Neoprene Packing Rings. Maximum Suction Pressure 10 psi (69 kPa). Maximum Temperature of Liquid Pumped, 110°F (43°C).*



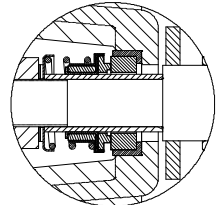
11 1/2A3-E2 1P/3P SEAL DETAIL

Type 21, Mechanical, Self-Lubricated. Rotating Face is Carbon. Ni-Resist Stationary Face. Elastomers are Buna-N. Stainless Steel 18-8 Cage and Spring. Maximum Temperature of Liquid Pumped, 160°F (71°C).*



11 1/2A52-E2 1P/3P SEAL DETAIL

Type 31, Mechanical, Self-Lubricated. Silicon Carbide Rotating and Stationary Faces. Fluorocarbon Elastomers (DuPont Viton® or Equivalent). Stainless Steel 316 Cage and Spring. Maximum Temperature of Liquid Pumped 160°F (71°C).*



THE GORMAN-RUPP COMPANY • MANSFIELD, OHIO

GORMAN-RUPP OF CANADA LIMITED • ST. THOMAS, ONTARIO, CANADA

www.grpumps.com

Specifications Subject to Change Without Notice

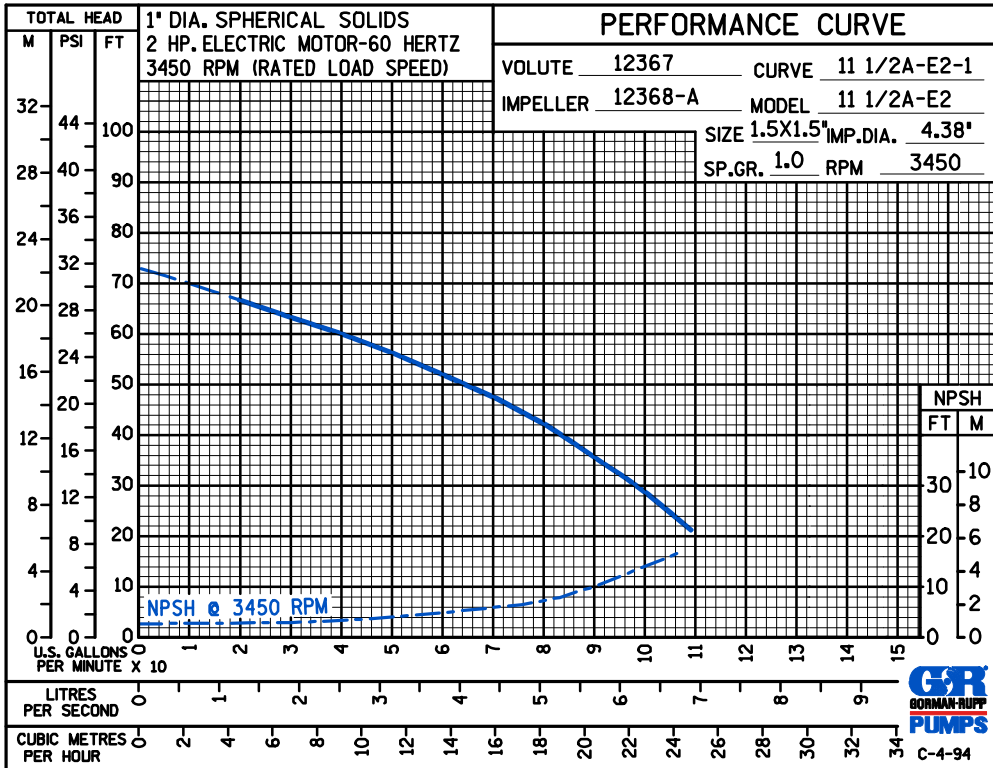
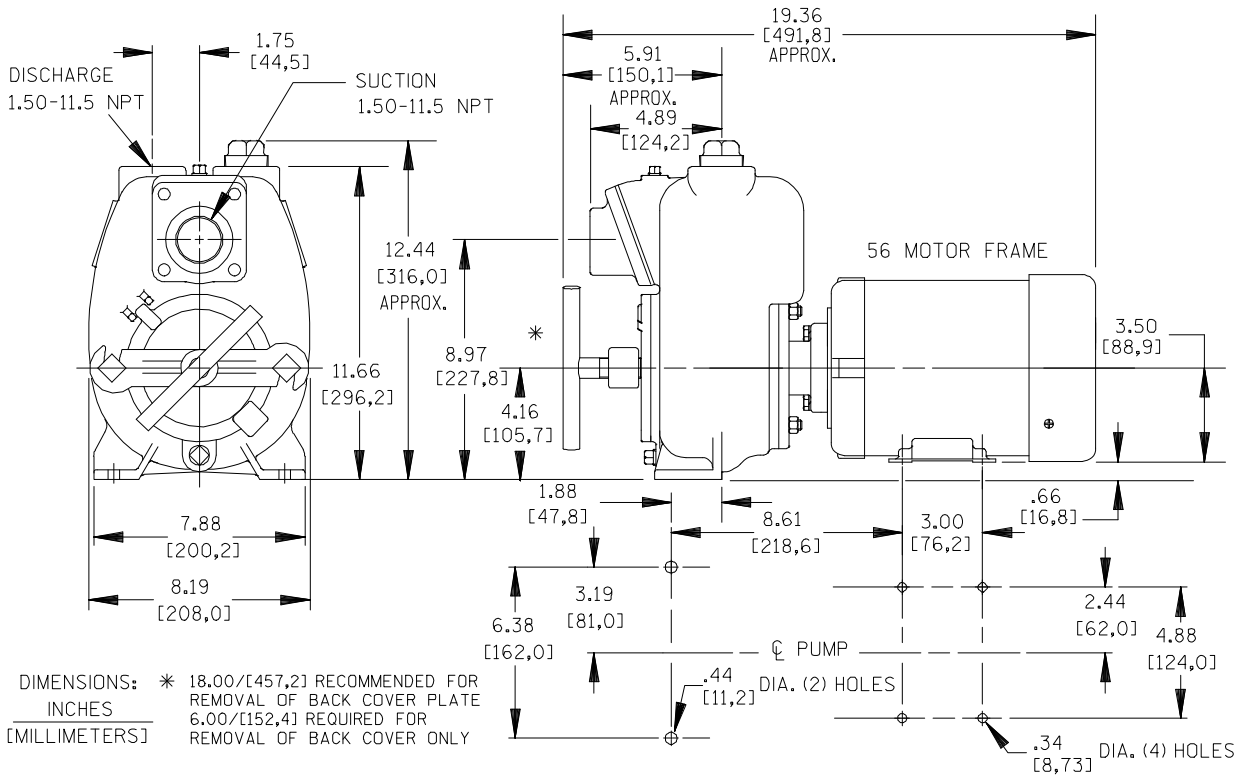
Printed in U.S.A.

Specification Data

SECTION 55, PAGE 125

APPROXIMATE DIMENSIONS and WEIGHTS

NET WEIGHT: 90 LBS. (40 KG.)
SHIPPING WEIGHT: 100 LBS. (45 KG.)
EXPORT CRATE SIZE: 3.5 CU. FT. (0,1 CU. M.)



THE GORMAN-RUPP COMPANY • MANSFIELD, OHIO

GORMAN-RUPP OF CANADA LIMITED • ST. THOMAS, ONTARIO, CANADA

Specifications Subject to Change Without Notice

Printed in U.S.A.