



 moujen

moujen switch USA  
16120 Caputo Drive  
Morgan Hill, CA 95037

Voice: 800-532-5526  
Fax: 408-778-3807

[info@moujenswitch.com](mailto:info@moujenswitch.com)

## ME SERIES MINI LIMIT SWITCHES

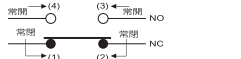
### FEATURES/功能

- Wide choice of heads and actuators. / 可配合各種不同之連桿及頭
- Variety of operating characteristics. / 具多種使用特性曲線
- Captive cover screws. / 接線頭具帽式覆蓋螺絲
- Mode of operation is field adjustable. / 可調式
- Internal grounding screw. / 內裝接地螺絲
- Dustproof, Oil-Tight, Water-Resistant. / 防塵、防油、防水
- Temperature range +5°F to +160°F. / 適用溫度(-15°C to +70°C)

### RATING/額定

5A	250V AC (resistive)
0.4A	115V DC (resistive)

### CIRCUITRY/電氣回路



### FIELD ADJUSTABLE

Rotary motion roller lever and rod actuators are adjustable through 360°. They may be set for operation clockwise, counter-clockwise, or in both directions. Operating heads may be positioned in any of four 90° positions.

### EASY WIRING

1. Loosen cover screws and remove cover.
2. Remove rubber strain relief from switch cover.
3. Slip strain relief over cable.
4. Fasten terminal screws and grounding screw tightly after inserting cables or terminals.
5. After wiring, insert strain relief into the groove of the switch cover.
6. Fasten 3 cover screws evenly. Do not over tighten.
7. Recommended Cable-# 18/3 SJT Flexible.



ME-8107

ME-8104-L

ME-8111

ME-8104-M

ME-8108-L

ME-8104F

ME-8104

ME-8108-M

ME-8108

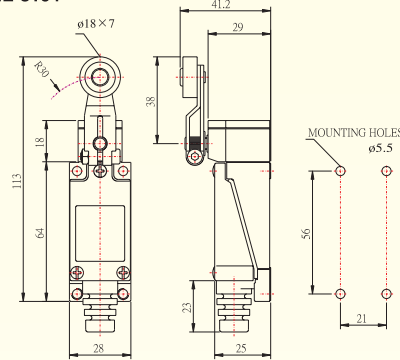


### CHARACTERISTICS/特性

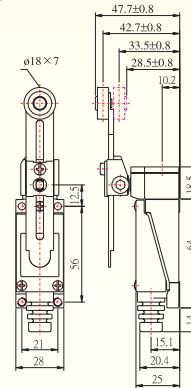
Operating speed	0.5mm to 50m/sec
Operating frequency	Mechanically: 120 operations/min. Electrically: 30 operations/min.
Contact resistance	15m Ω max. (initial)
Insulation resistance	100M Ω min. (at 500 V DC)
Dielectric strength	1,000 VAC, 50/60 Hz for 1 minute between non-current terminals
	2,000 VAC, 50/60 Hz for 1 minute between each terminal and non-current carrying metal part and between each terminal and ground
Vibration	Malfunction durability: 10 to 55Hz; 1.5mm double amplitude
Shock	Mechanical durability: Approx. 1,000m/sec <sup>2</sup> (approx. 100G's)
	Malfunction durability: Approx. 300m/sec <sup>2</sup> (approx. 30 G's)
Ambient temperature	Operating: -15°C to +70°C
Humidity	95% RH max
Service life	Mechanically: 10,000,000 operations min
	Electrically: 300,000 operations min.
Degree of protection	IEC 529 class IP65

### DIMENSIONS (mm)

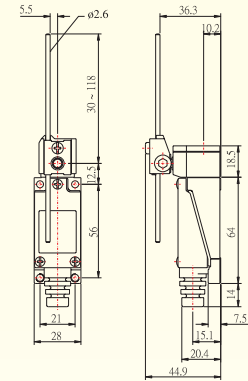
ME-8104



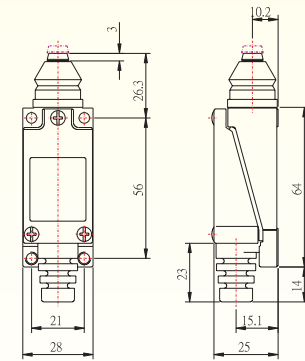
ME-8108



ME-8107



ME-8111



### OPERATING CHARACTERISTICS

	ME-8104
OF MAX	600g
RF MIN	50g
PT MAX	20°
OT MIN	75°
DT MAX	10°
TT MIN	95°

	ME-8107
OF MAX	203g
RF MIN	12g
PT MAX	20°
OT MIN	75°
DT MAX	10°
TT MIN	95°

	ME-8108
OF MAX	340g
RF MIN	21g
PT MAX	20°
OT MIN	75°
DT MAX	10°
TT MIN	95°

	ME-8111
OF MAX	900g
RF MIN	150g
PT MAX	1.5mm
OT MIN	4.0mm
DT MAX	0.7mm
TT MIN	5mm

## ME SERIES MINI LIMIT SWITCHES

### ORDER GUIDE

Standard type: 標準型

ME-8104 | ME-8107 | ME-8108 | ME-8111 | ME-8112 | ME-8122 | ME-8166 | ME-8169 | ME-9101 | ME-8000

Flat cover type (Custom made): 平上蓋 (訂製品)

ME-8104F | ME-8107F | ME-8108F | ME-8111F | ME-8112F | ME-8122F | ME-8166F | ME-8169F | ME-9101F

Metal roller (Custom made): 金屬滾輪 (訂製品)

ME-8104-M | ME-8108-M

Ø50mm rubber's roller (Custom made): 50mm 橡膠滾輪 (訂製品)

ME-8104-L | ME-8108-L

Plastic roller (Custom made): 塑膠滾輪 (訂製品)

ME-8112-P | ME-8122-P

1/4 steel and 3/4 spring (Custom made): 動作柄1/4白鐵 3/4彈簧 (訂製品)

ME-9101-HI

### REMARK:

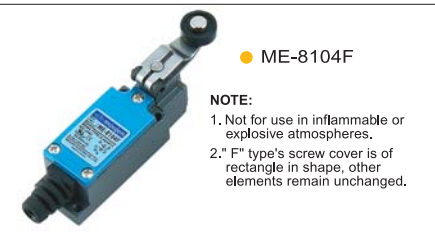
Metal roller type: 金屬滾輪型式  
ME-8104-M ME-8108-M

Plastic roller type: 塑膠滾輪型式  
ME-8112-P ME-8122-P

Ø50mm rubber's roller type: ø50mm 橡膠滾輪型式  
ME-8104-L ME-8108-L

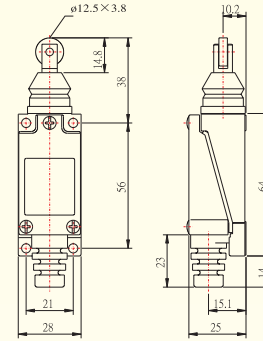
ME-9101-HI → 1/4 steel and 3/4 spring · 動作柄1/4白鐵 3/4彈簧

### "F" type:

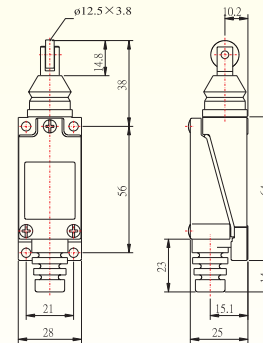


### DIMENSIONS (mm)

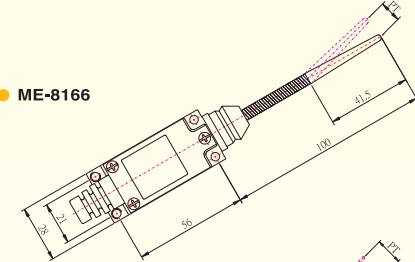
#### ME-8112



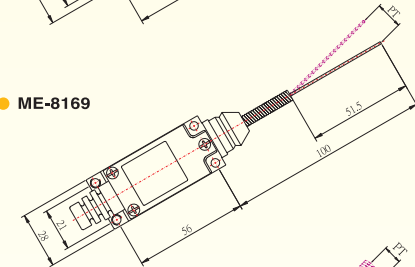
#### ME-8122



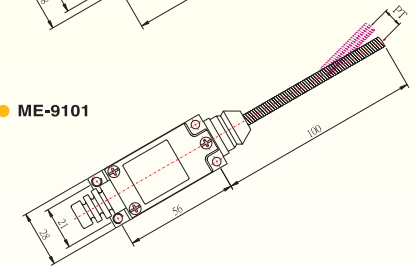
#### ME-8166



#### ME-8169



#### ME-9101



### OPERATING CHARACTERISTICS

	ME-8112
OF MAX	900g
RF MIN	150g
PT MAX	1.5mm
OT MIN	4.0mm
DT MAX	0.7mm
TT MIN	5mm

	ME-8166
OF MAX	90g
RF MIN	-
PT MAX	30mm
OT MIN	20mm
DT MAX	-
TT MIN	-

	ME-9101
OF MAX	90g
RF MIN	-
PT MAX	30mm
OT MIN	20mm
DT MAX	-
TT MIN	-

	ME-8122
OF MAX	900g
RF MIN	150g
PT MAX	1.5mm
OT MIN	4.0mm
DT MAX	0.7mm
TT MIN	5mm

	ME-8169
OF MAX	90g
RF MIN	-
PT MAX	30mm
OT MIN	20mm
DT MAX	-
TT MIN	-