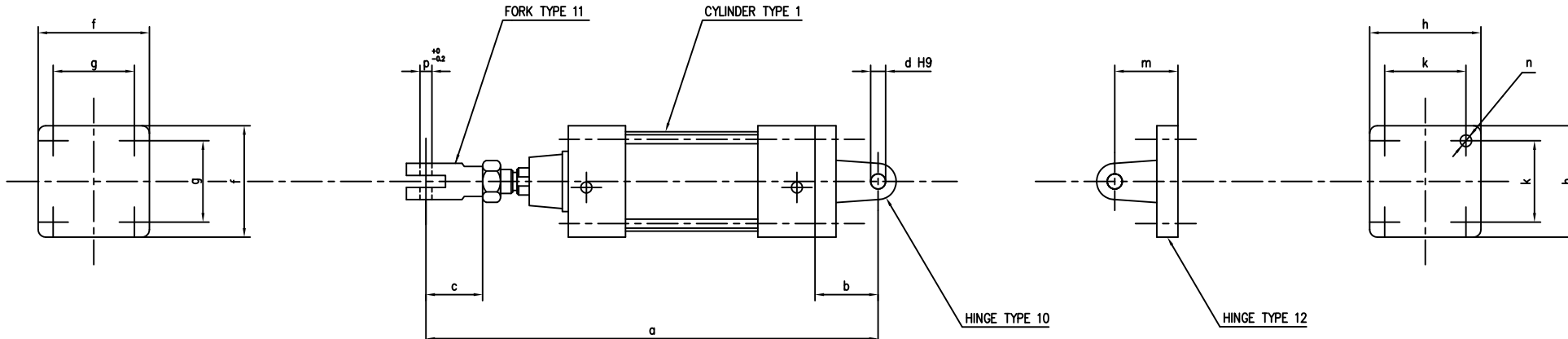
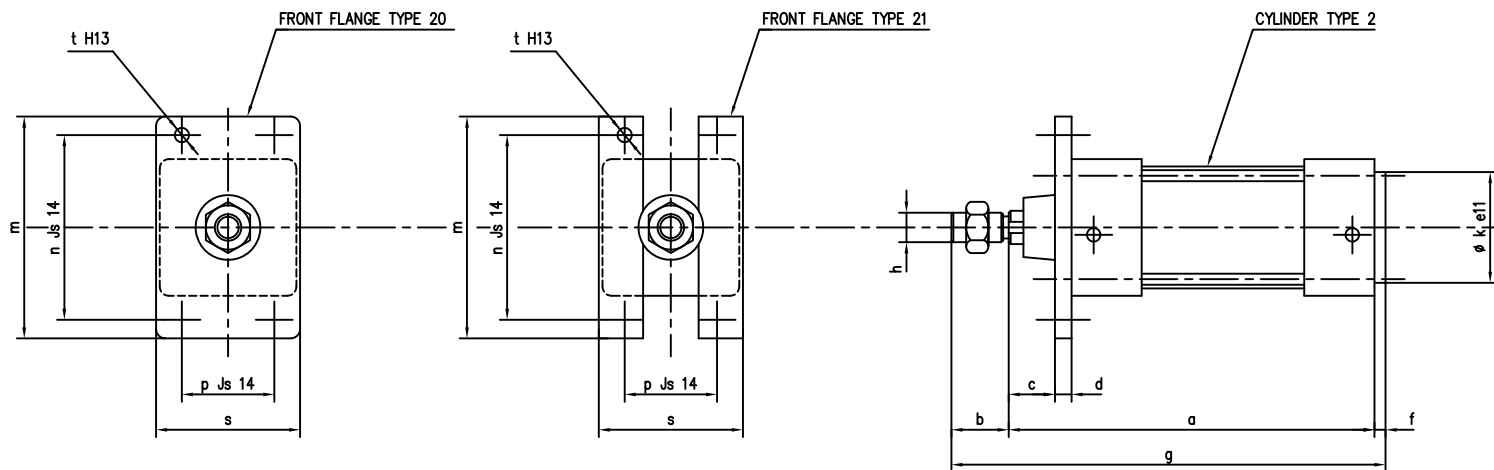


NOTE:
 - ROD PACKING SHALL BE DESIGNED FOR REPLACEMENT WITHOUT DISMANTLING CYLINDER HEAD.
 - PISTON ROD AND CYLINDER BORE SHALL BE HARD CHROME PLATED WITH A MINIMUM THICKNESS OF 0.03 mm.
 - CUSHION ADVANCE AND RETRACT WITH REGULATION DEVICE.



PNEUMATIC CYLINDER ISO TYPE 1												IDENTIFICATIVE PARKER CODE INCLUDING: CYLINDER, FEMALE HINGE, FEMALE FORK AND MALE HINGE									
PART.	BORE	ROD	STROKE	a	f	g	FEMALE HINGE TYPE 10			FEMALE FORK TYPE 11		PART.	MALE HINGE TYPE 12								
							b	d	CODE	c	p		CODE	h	k	m	n	CODE			
A	80	25	160	466	96	72	36	16	80 2800J	-	-	H	96	72	36	12	80 2800C	80 - 2015A - 0160	HINGE 80 2800J - HINGE 80 2800C		
B	80	25	80	386	96	72	36	16	80 2800J	80	20	4314	K	96	72	36	12	80 2800C	80 - 2015A - 0080	FORK 4314 - HINGE 80 2800J - HINGE 80 2800C	
C	125	32	200	605	140	110	50	25	125 2800J	110	30	4331	M	140	110	50	14	125 2800C	B - 125 - 2015A - 0200	FORK 4331 - HINGE 125 2800J - HINGE 125 2800C	
D	80	25	110	416	96	72	36	16	80 2800J	80	20	4314							80 - 2015A - 0110	FORK 4314 - HINGE 80 2800J	
F	80	25	76	382	96	72	36	16	80 2800J	80	20	4314							80 - 2015A - 0076	FORK 4314 - HINGE 80 2800J	
G	80	25	366	672	96	72	36	16	80 2800J	-	-	-							80 - 2015A - 0366	HINGE 80 2800J	



PNEUMATIC CYLINDER ISO TYPE 2													IDENTIFICATIVE PARKER CODE INCLUDING: CYLINDER AND FRONT FLANGE							
PART.	BORE	ROD	STROKE	a	b	c	d	f	g	h	k	FRONT FLANGE								
												m	n	p	s	t	TYPE			
T	200	40	120	395	72	70	25	5	472	M36x2	75	318	270	135	225	22	21	B - 200 - 2015A - 0120	FRONT FLANGE 200 - 2800A	

2																			2	2	T
																					S
																					P
																					N
																					M
																					K
																					H
																					G
																					F
																					D
																					C
																					B
																					A
NUMBER REQUIRED																					
C-4427-318																					GEN. ORDER
C-4427-310																					CAMP. DATE
C-4427-307																					
C-4427-306																					
C-4427-239																					
C-4427-224																					
C-4427-128																					
C-4427-125																					
C-4427-120																					
C-4427-115																					
C-4427-114																					
C-4427-112																					
C-4427-105																					

ALL DIMENSIONS ARE IN METRIC UNITS

CAPACITY IMPROVEMENT AND MODERNIZATION PROJECT
KAPASITE ARTIRMA VE MODERNIZASYON PROJESI

PROJECT NAME: ELECTROLYTIC TINNING/TIN FREE STEEL FACILITIES

EREGLI DEMIR ve CELIK FABRIKALARI T.A.S.

ITAM®
TECHINT ITALIMPIANTI INC.

ITAM®
TECHINT ITALIMPIANTI INC.

ITAM®
TECHINT ITALIMPIANTI INC.

THIS DRAWING AND ALL INFORMATION THEREON ARE THE EXCLUSIVE PROPERTY OF ITAM TECHINT ITALIMPIANTI INC. AND MUST NOT BE COPIED, REPRODUCED, MADE PUBLIC, OR USED FOR ANY PURPOSE OTHER THAN FOR WHICH THE DRAWING IS PROVIDED WITHOUT WRITTEN AUTHORIZATION OF ITAM TECHINT ITALIMPIANTI INC.

ELECTROLYTIC TINNING LINE
PNEUMATIC CYLINDER

NAME: TECHNOL DATE: 01/12/97 SCALE: DWG. NO.: 141305E

CHKB: TECHNOL DATE: 01/12/97

APP: NARIZZANO DATE: 05/12/97

MECH. CODE: FILE NAME: 141305E PREVIOUS PLOT TIME 1: PREVIOUS PLOT TIME 2: Form to AI-mod. ITALIMPIANTI STD 00.

REV.	DATE	DESCRIPTION-SIGNATURE
A	02/12/97	GENERAL REVISION
B	19/12/97	ITEM 116 WAS 117
C	12/01/98	GENERAL REVISION
D	06/02/98	ITEM 115 MOVED - ITEM 116 CANCELLED
E	25/02/98	ADDED PARKER CODE AND MODIFIED WHERE E