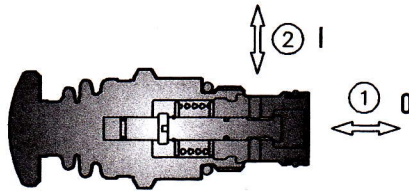
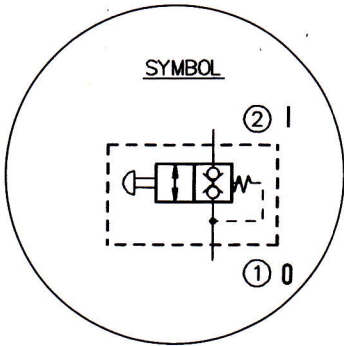


MANUALLY OPERATED CHECK VALVES

NCS

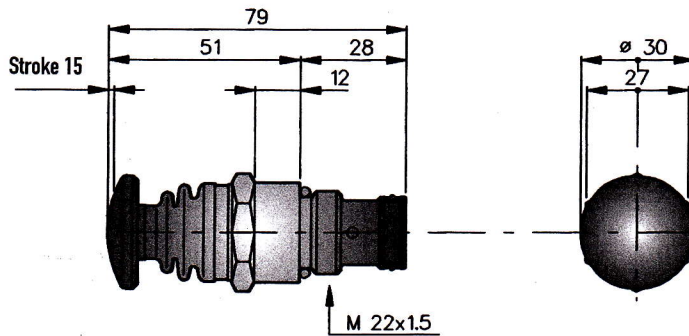
Type CE 06



SIZE	06	
NORMAL PORT SIZE	5	
MAX FLOW RATE	l/min	25
	US gpm	6.5
MAX PRESSURE	bar	315
	psi	4500
CAVITY NUMBER	00.95	065
NORMALIZED CAVITY	NCS	06/2
MAX TIGHTENING TORQUE	Nm	50
WEIGHT CARTRIDGE	kg	0.20
REF		
CAVITY DIMENSIONS	11.450	

DIMENSIONS (mm)

CE 06



CHARACTERISTICS OPERATING CURVES

Measurements effected at 20°C ambient temperature with mineral oil viscosity of 26 cSt at 50°C.
Cartridge only.

1: Flow from ② → ①

