

AC Axial Fans



Approvals



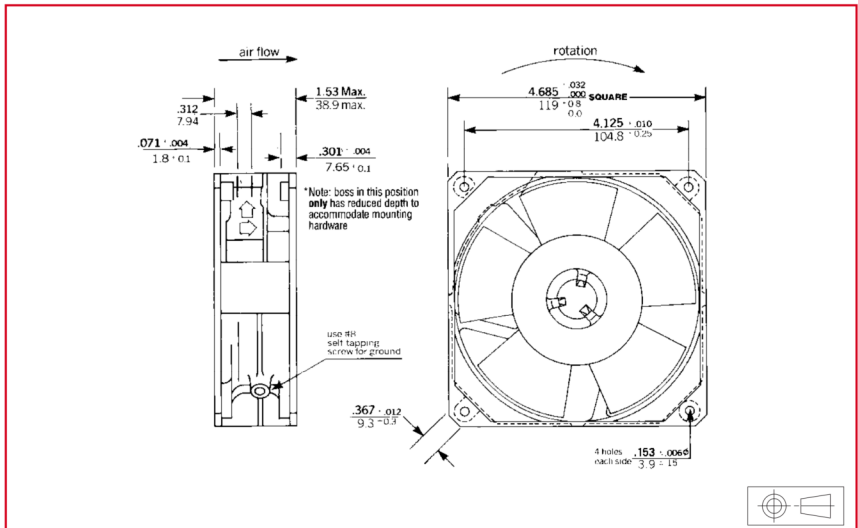
GAM T1 listed

Life expectancy

L-10 LIFE AT 40°C:

50 000 hours (Sleeve bearings)

80 000 hours (Ball bearings)



AC Motor

Electrical protection: impedance protected

Housing material: zamak

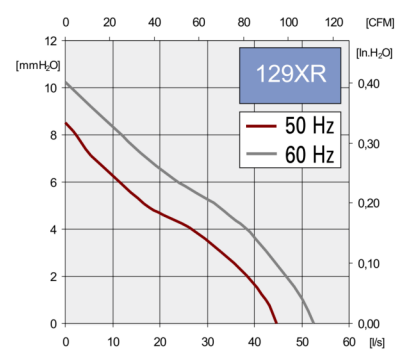
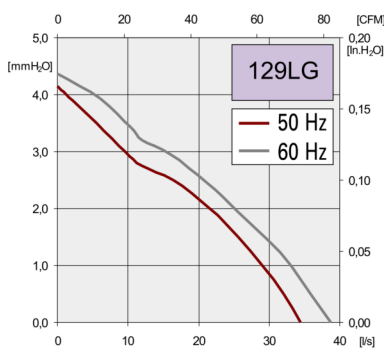
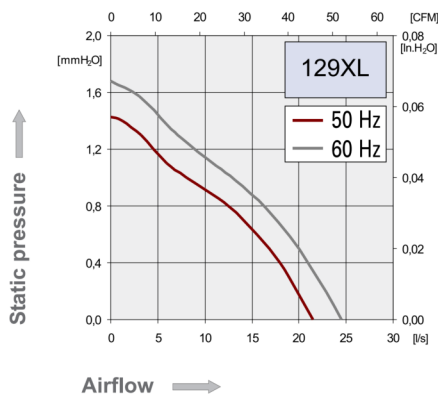
Impeller material: plastic UL 94 VO

Weight: 0,725 kg

Available with:

- flying leads

- speed sensor



Part number	Nominal voltage	Airflow	Noise level	Nominal speed	Frequency	Phases	Capacitor	Input power	Nominal current	Starting current	Bearing system		Connection type		Operating temperature	
	V										l/s	dB(A)	RPM	Hz	μF	W
129XL0282010	115	21,5	31	1350	50	1		12	135	145	X		X		- 10	70
		24,5	33,5	1550	60	1		10	115	125	X		X		- 10	70
129XL0281010	208-240	21,5	31	1350	50	1		12	75	90	X		X		- 10	70
		24,5	33,5	1550	60	1		10	65	75	X		X		- 10	70
129LG0282010	115	34	44,5	2200	50	1		16	200	250	X		X		- 10	70
		39	47,5	2400	60	1		13	160	200	X		X		- 10	70
129LG0281010	208-240	34	44,5	2200	50	1		18	110	140	X		X		- 10	70
		39	47,5	2400	60	1		15	90	120	X		X		- 10	70
129XR0282010	115	45	49	2800	50	1		16	200	310	X		X		- 10	70
		52	54	3200	60	1		15	180	260	X		X		- 10	70
129XR2282010	115	45	49	2750	50	1		16	200	310		X	X		- 10	55
		52	54	3250	60	1		15	180	260		X	X		- 10	55
129XR0281010	208-240	45	49	2800	50	1		18	125	170	X		X		- 10	70
		52	54	3200	60	1		15	105	150	X		X		- 10	70
129XR2281010	208-240	45	49	2750	50	1		18	125	170		X	X		- 10	55
		52	54	3250	60	1		15	105	150		X	X		- 10	55

* 129LG & 129XL also available with sleeve bearings: P/N: 129LG2282010 (115V); 129LG2281010 (208-240V); 129XL2282010 (115V); 129XL2281010 (208-240V)

Additional versions: Dual voltage 115V-230V
Shock & vibration protected - salt spray protected -
Wide temperature range - sleeve bearings - marine specifications

Accessories: - Plastic filter P/N : F120/T102 and 120V - Metal filters: 96-152 and 96-302
- Plastic finger guards : PFG-120 & 121-53 - Metal finger guard P/N : 9601-43
- Speed Nuts P/N: Speed Nuts 6.32 - Metal mesh filter P/N : 120-G