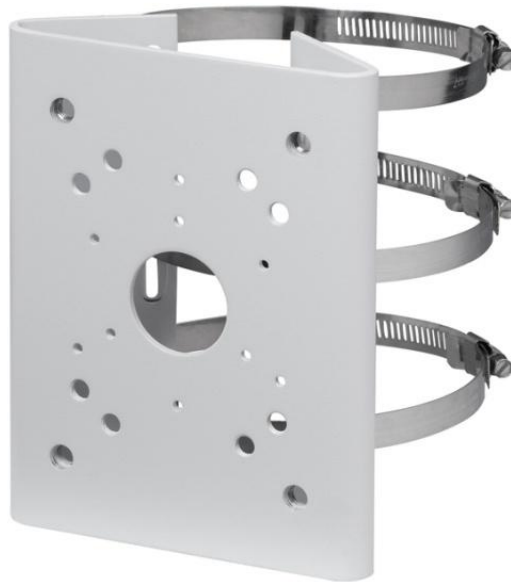


## PFA150

### Pole Mount Bracket



### Features

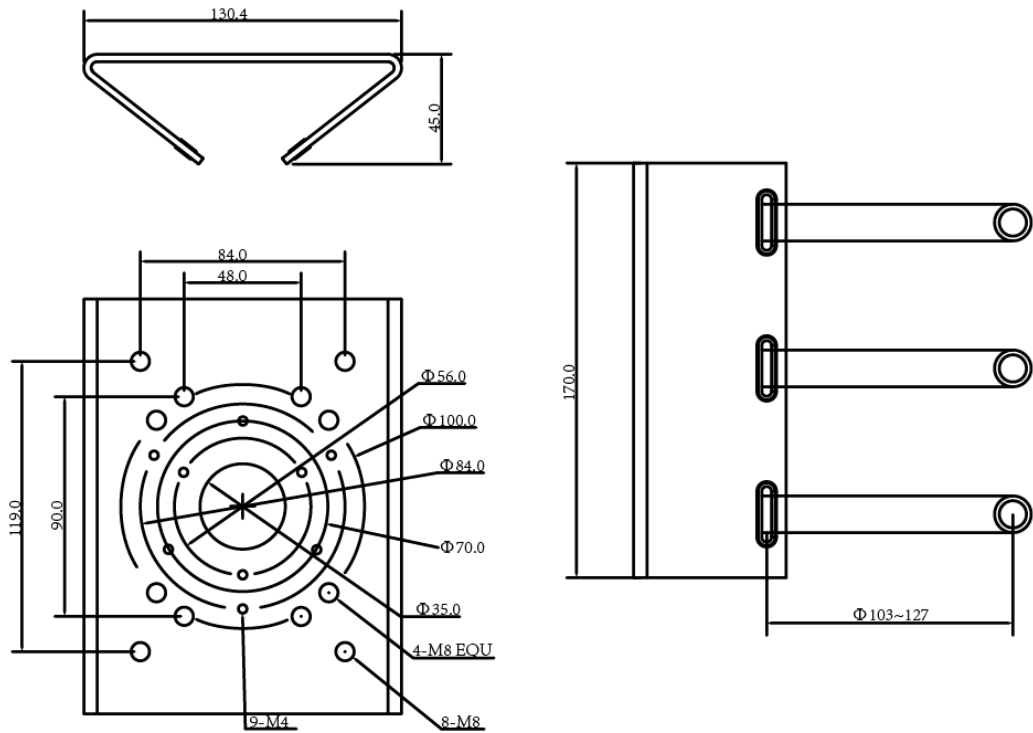
- Material: SECC
- Pole Mount Bracket
- Neat & Integrated design

### Specifications

Model	PFA150
<b>General</b>	
Material	SECC
Dimension (W x H x D)	130.4mm x 170mm x 45mm
Pipe Thread	N/A
Operating Temperature	-40°C ~60°C
Humidity	0~90% RH
Load Bearing	10.0Kg
Weight	0.93Kg
Applicable Model	Please see "Accessory Selection"

# PFA150

## Dimensions (mm)



## Application

