

# 2810



**Color:**  Black

**UPC Code:** 07847707578

**Country of Origin:** Mexico - \*Eligible for ARRA funded projects > \$7,443,000

**NEMA:** L21-30R



## Locking Wiring Devices

### Brand Features

Leviton's Industrial Grade Locking Devices are built to provide unparalleled quality and superior performance in the most severe industrial settings. Leviton combines the best materials available with superior production standards to produce a broad selection of Locking Devices of unmatched flexibility and dependability.

### Item Description

30 Amp, 120/208 Volt 3PY, NEMA L21-30R, 4P, 5W, Flush Mtg Locking Receptacle, Industrial Grade, Grounding, V-0-MAX - BLACK

### Technical Information

#### AC Horsepower Ratings

**At Rated Voltage:** 3 HP

#### Electrical Specifications

**Grounding:** Grounding

**Amperage:** 30 Amp

**Voltage:** 120/208 Volt 3 Phase Y

**NEMA:** L21-30R

**Pole:** 4

**Wire:** 5

**Dielectric Voltage:** Withstands 2000V per UL498

**Current Limiting:** Full Rated Current

**Temperature Rise:** Max 30C after 250 cycles OL at 200 percent rated current

#### Environmental Specifications

**Flammability:** Rated V-2 per UL94

**Flammability:** Rated V-0 per UL94

**Operating Temperature:** -40C to 60C

#### Material Specifications

**Face Material:** Nylon

**Base Material:** Nylon

**Line Contacts:** Brass .040 Thick

**Terminal Screws:** Brass 10-32

**Grounding Screw:** Brass 8-32

**Clamp Nuts:** Nickel-Plated Brass

**Body Material:** Nylon

**Cover Material:** Valox 357

**Line Contacts:** Brass

**Terminal Screws:** Chromated Brass

**Grounding Screw:** Chromated Brass

**Strap Material:** Nickel-Plated Brass

**Color:** Black

**Terminal Clamps:** Nickel-Plated Brass

**Ground Contacts:** Brass

#### Mechanical Specifications

**Terminal ID:** Brass-Hot, Green-Ground, White-Neutral

**Terminal ID:** Marked on Device

**Terminal Accom.:** 14-8 AWG

**Product ID:** Ratings and NEMA I.D. permanently marked on device

**Termination:** Back & Side

#### Product Features

**Voltage:** 120/208 Volt 3PY

**Face Material:** Nylon

**NEMA:** L21-30R

**Base Material:** Nylon

**Color:** Black

**Warranty:** Lifetime Warranty

#### Standards and Certifications

**NEMA:** WD-6

**NEMA:** WD-1 & WD-6

**ANSI:** C-73

**UL:** 498

**UL Fed Spec:** W-C-596

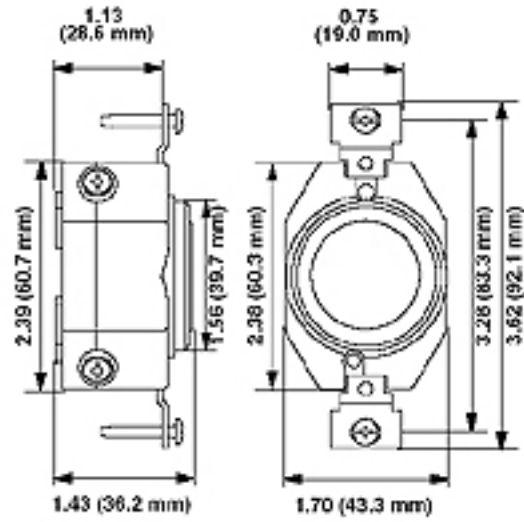
**CSA:** C22.2 No. 42

**NOM:** 057

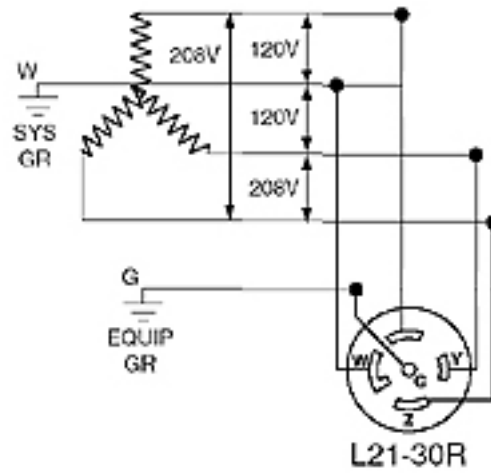
#### Warranty

**Warranty:** Lifetime Limited

## Dimensional Diagram



## Wiring Diagram



### SPECIFICATION SUBMITTAL

JOB NAME: <input style="width: 95%; height: 20px;" type="text"/>	CATALOG NUMBERS: <input style="width: 95%; height: 20px;" type="text"/>
JOB NUMBER: <input style="width: 95%; height: 20px;" type="text"/>	<input style="width: 95%; height: 20px;" type="text"/>

