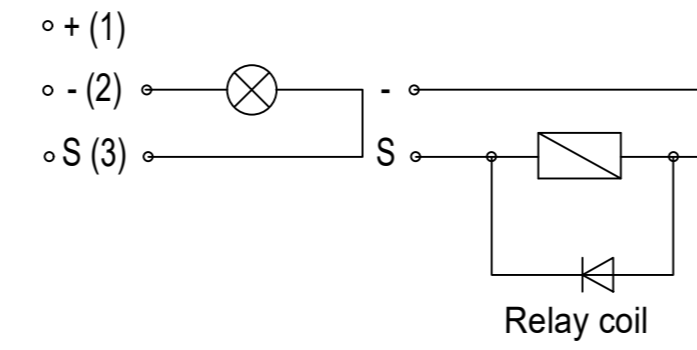
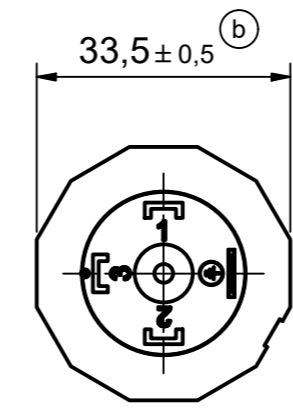
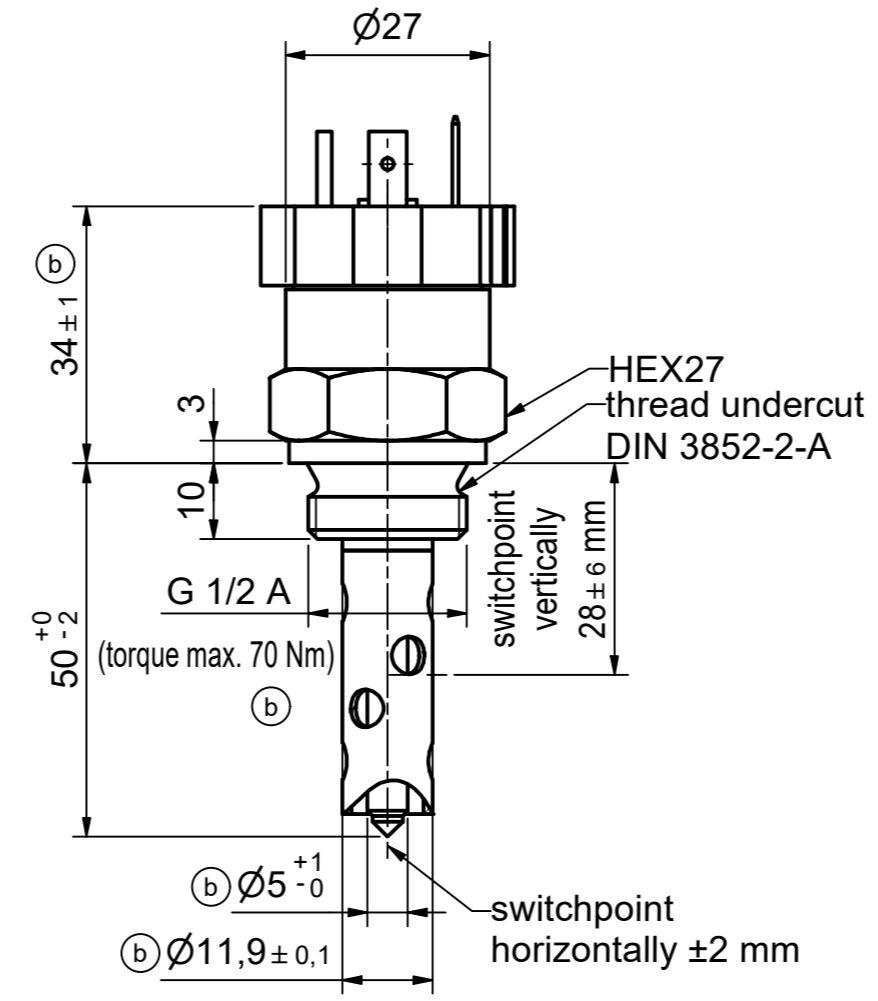


The copyright to this drawing belongs to us. No duplication or transfer to, providing access to or communicating to any third parties is allowed of its contents or excerpts thereof. This drawing may not be used without our approval for any purpose other than that for which it has been entrusted to the recipient. Any non-compliance shall obligate the violator to compensate for damages. In case any patent is issued or a utility model is registered, or in case of any other industrial property rights, all such rights must be reserved for us.

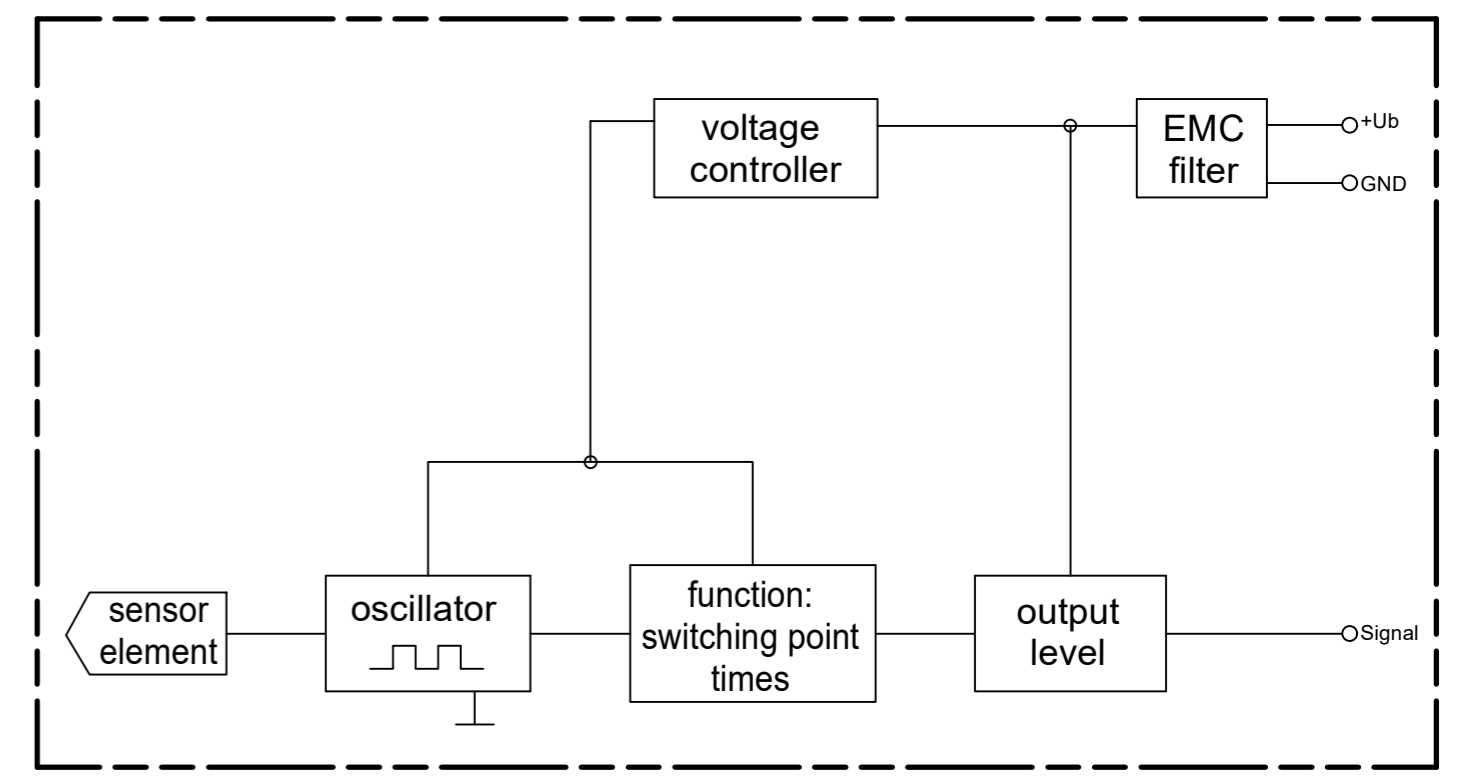
BEDIA Motorentechnik GmbH & Co.KG,
Altdorf bei Nürnberg

Das Urheberrecht an dieser Zeichnung gehört uns. Vervielfältigung, Überlassung, Zugänglichkeit oder Mitteilung des Inhalts, auch auszugsweise, an Dritte ist nicht gestattet. Die Zeichnung darf ohne unsere Zustimmung, zu einem anderen Zweck als sie dem Empfänger anvertraut wird, nicht benutzt werden. Zuwiderhandlung verpflichtet zu Schadenersatz. Alle Rechte, für den Fall einer Patenterteilung, Gebrauchsmustereintrag oder anderer Schutzrechte, sind uns vorbehalten.

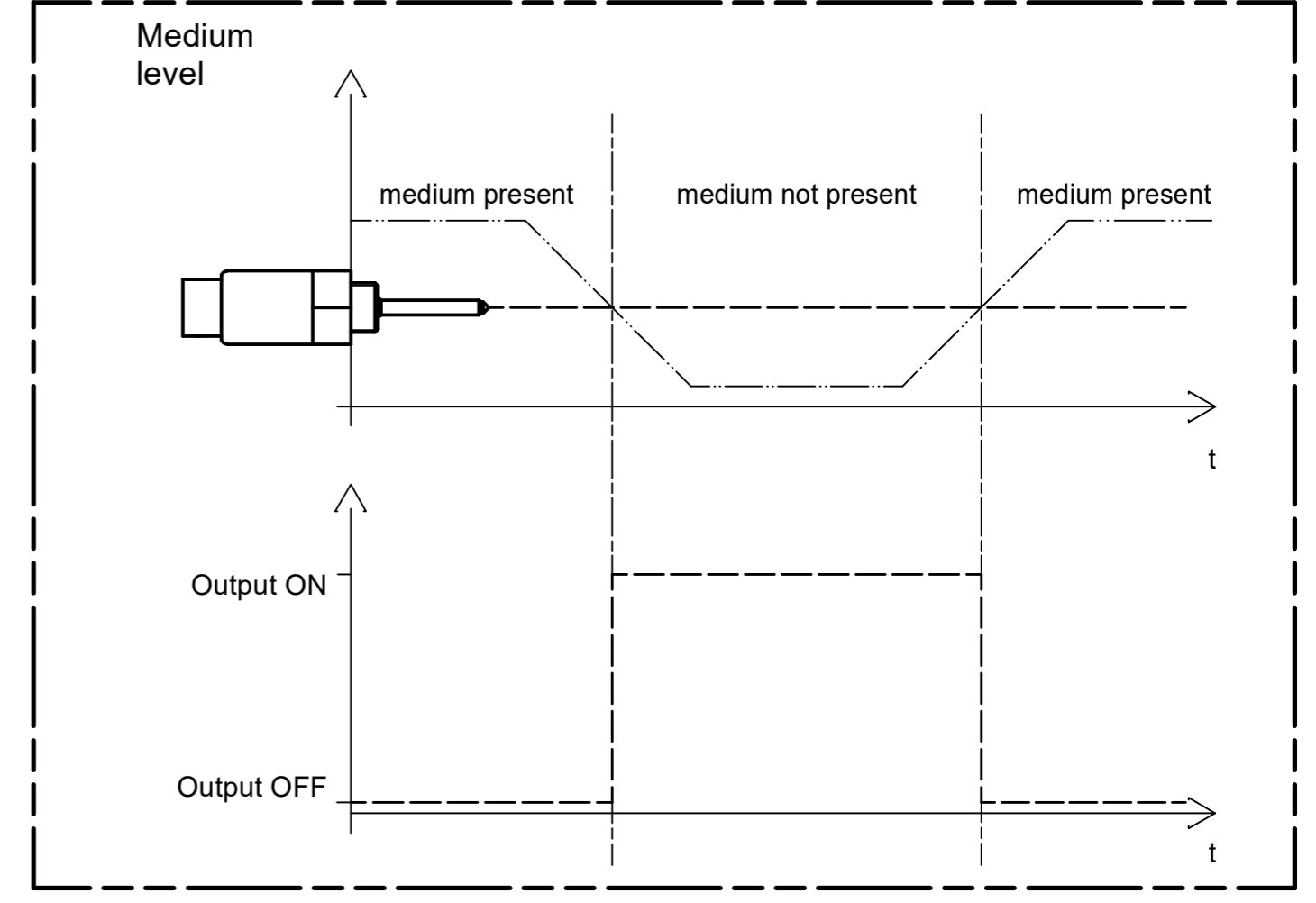
1	2	3	4	5	6	7	8	9	10	11
Technical data										
Medium	oil									
Function	minimum - operating current (oc)									
Operating voltage	12 / 24 V (-25% / +50%) (9 - 36 VDC)									
Current consumption	< 8 mA									
Output	high side switch									
	≤ 1 A over the whole temperature range									
	short-circuit and overload protected over the ambient temperature range. At inductive loads freewheeling diode e.g. 1N4007, has to be mounted at the load.									
Mounting thread	G 1/2 A									
Function control	0 seconds ±5%									
Fault indication delay	0 seconds ±5%									
Connection	connector according to DIN EN 175 301-803-A									
Housing material	X5CrNi18-10									
	EN 10088-3:1.4301									
Probe coating	capacitive connected to ground									
Probe protection	Tefzel® ETFE									
Weight	approx. 100 g									
Marking	manufacturer; type; manufacturer-no.; SN; year / week; approvals									
Switch point hysteresis	< 3 mm									
Reference medium	paraffin oil, $\epsilon_r = 2,0..2,4$, for switchpoint adjustment									
Medium temperature	-40°C to +150°C (-40°F to +302°F)									
Ambient temperature	-40°C to +125°C (-40°F to +257°F)									
Storage temperature	-50°C to +125°C (-58°F to +257°F)									
Mounting position	any									
Reverse polarity protection	inbuilt between positive and negative terminal									
Caution !!										
Do not connect positive potential to signal terminal of the sensor and negative potential to positive terminal of the sensor.										
Approvals	ABS, BV, CCS, DNV, KR, LR, NKK, RINA, RMRS									
Customs tariff number	90261029 (b)									
Environmental simulations										
Vibration	ISO 16750-3 10 Hz - 2000 Hz 20 g									
Free Fall	IEC 16750									
Mechanical Shock	DIN EN 60068-2-27; 100 g / 11 ms									
Dry Cold	DIN EN 60068-2-1; -40°C / 24 h (-40°F / 24 h)									
Dry Heat	DIN EN 60068-2-2; +125°C / 96 h (+257°F / 96 h)									
Temperature cycling	DIN EN 60068-2-14									
Damp Heat	DIN EN 60068-2-78									
Damp Heat, cyclic	DIN EN 60068-2-30									
Salt spray	DIN EN 60068-2-52									
Flame retardant	DIN 75 200									
Pressure resistance	2,5 MPa (25 bar / 362,6 psi) (25°C / 77°F / 1 h)									
EMC										
Conducted emission from the power port	CISPR 16	10 kHz - 30 MHz								
Electric field radiated emissions	CISPR 16	150 kHz - 6 GHz (b)								
RF electromagnetic fields	EN 61000-4-3	1 MHz - 6 GHz; 100 V / m (b)								
Conducted interference	EN 61000-4-6	150 kHz - 80 MHz; 10 V								
Conducted interference	IEC 60533	50 Hz - 10 kHz; 3 V / 0,5 V								
ESD	EN 61000-4-2	±8 kV Contact / Air discharge								
Burst	EN 61000-4-4	±2 kV DC power port / signal lines								
Surge	EN 61000-4-5	±1 kV line <-> ground								
		±0,5 kV line <-> line								
High voltage	IEC 60092-504	550 V								
Power supply variations and interruptions	EN 61000-4-11	Ub +50% / -25%								



Block diagram



(b) Functional diagram for MINIMUM Probes



Zul. Abweichung / admissible tolerance	Oberfläche / surface	Maßstab / scale	Sprache / language	Blatt sheet
ISO 2768-mK	-	1 : 1	ENU	1 / 1
Benennung / description				
CL5-50 oil level sensor high side switch - operating current with connector according to DIN EN 175 301-803-A				
Zeichnungsnummer / drawing number				
500092				
Zng. Art/ draw type				
DRC				

