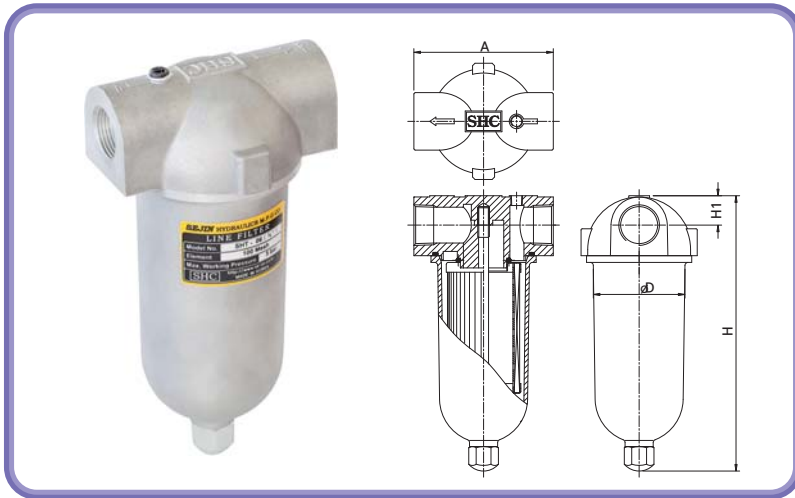




SHC

SHT Line Filter



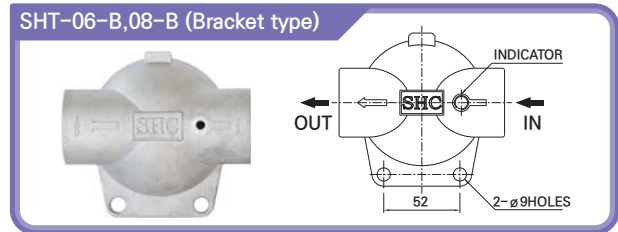
Specifications

- Bowl and Cover Material : Die-cast Aluminum
- Max. working pressure : **5 bar**
- Filtration rating : **100 Mesh**
- Light and Compact.
- Easy to replace Element.
- Suitable for all mineral and petroleum based fluids.

Options

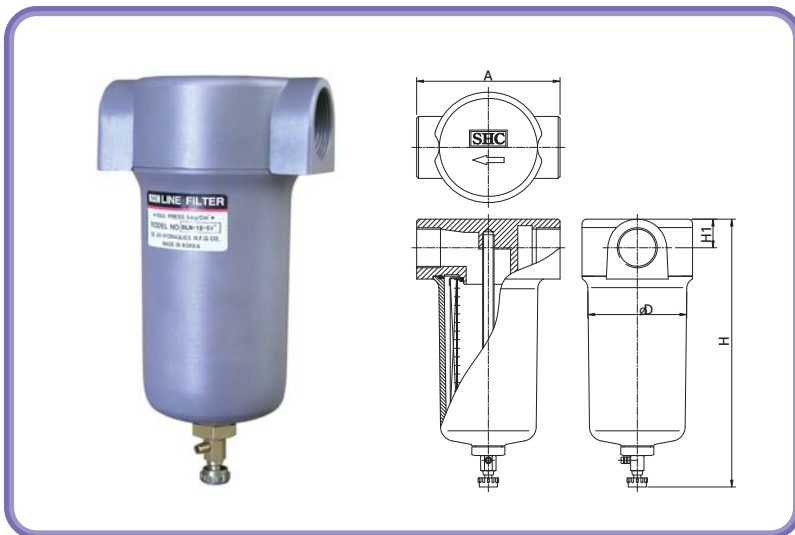
- Available **Magnet**.
- Available Indicator.(only for SHT-06,08)
- Available **Bracket** type (only for SHT-06,08)
- Available Filtration : 5, 10Micron, 150, 200Mesh, etc.

Part No.	Thread	A (mm)	øD (mm)	H (mm)	H1 (mm)	Flow rate (L/min)
SHT-02	PT ¼"	110	65	142	20	10
SHT-03	PT ⅜"	91.5	65	142	20	15
SHT-04	PT ½"	91.5	71	170	20	25
SHT-06	PT ¾"	113	74	225	25	45
SHT-08	PT 1"	113	74	225	25	70



SHC

SLN Line Filter



Specifications

- Bowl and Cover Material : Die-cast Aluminum
- Max. working pressure : **5 bar**
- Filtration rating : **100 Mesh**
- Light and Compact.
- Easy to replace Element.
- Suitable for all mineral and petroleum based fluids.

Options

- Available **Magnet**.
- Available Indicator. (contct SHC)
- Available Filtration : 5, 10Micron, 150, 200Mesh, etc.

Part number	Thread	A (mm)	ø (mm)	H (mm)	H1 (mm)	Element 탈착공간	Flow rate (L/min)
SLN-10	PT 1¼"	150	105	280	38	370	120
SLN-12	PT 1½"	150	105	280	38	370	160
SLN-16	PT 2"	165	130	375	45	485	260
SLN-20	PT 2½"	215	170	502	66	650	430
SLN-24	PT 3"	215	170	502	66	690	600

LINE FILTER