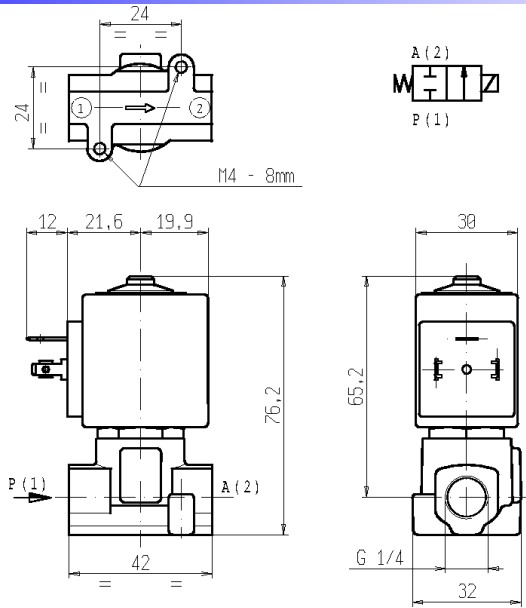




SOLENOID VALVE
2/2 - NC (Normally closed)
Direct acting
G 1/4

L121



► GENERAL FEATURES

Direct acting solenoid valve.
 Suitable to shut off liquid and gaseous fluids (verify the compatibility of fluid with materials in contact).

► TECHNICAL FEATURES

Maximum allowable pressure (PS) 40 bar
Opening time ~20ms
Closing time ~20ms

Fluid temperature -10°C +90°C (NBR)
 0°C +130°C (FPM)
 -10°C +140°C (EPDM)

Max viscosity 5°E (~37 cStokes or mm²/s)

► MATERIALS IN CONTACT WITH FLUID

Body Brass
Sealing NBR or FPM or EPDM
Internal components Stainless steel
Seat Brass
Core tube Stainless steel
Shading coil Copper

► COIL

According to standards VDE
Continuous duty ED 100%
Encapsulation material PET (polybutylene-terephthalate) fiberglass reinforced
Insulation class F (155 °C) on request class H (180°C) - UL
Ambient temperature -10 C° +50 °C
Electric connenctions DIN 46340- 3 poles connectors (DIN 43650)
Protection degree IP 65 (EN 60529) with plug connector
Voltages DC 12-24V (+10% -5%)
 AC ZA30A: 24V/50Hz - 110V/50Hz (120V/60Hz) -
 230V/50Hz (+10% -15%)
 (Other voltages and frequencies on request).

Port size ISO 228	Orifice size (mm)	Differential pressure (bar)				Kv (m ³ /h)	Series and type		Power absorption			Sealings	Notes	Weight (kg)	
		Δp min	Δp max		Valve		Coil	AC (VA)		DC (W)					
			AC	DC				Inrush	Holding						
G 1/4	1,6	0	30	30	30	30	0,09	L121V02	ZA30A	23	14	9	FPM	1	0,300
								L121B02					NBR	1 - 2	
	L121V02		1	FPM											
	L121D02														
	L121B02														
	L121V02														
	2,3	0	20	16	20	16	0,15	L121V02	ZA30E	-	-	12	FPM	-	
								L121B02							
	L121V02														
	L121D02														
	L121B02														
	L121V02														
3,2	0	12	4	12	4	0,30	L121V02	ZA30A	23	14	9	NBR	-		
							L121B02								
L121V02															
L121D02															
L121B02															
L121V02															
4,5	0	6	2	6	2	0,40	L121V02	ZA30E	-	-	12	FPM	2		
							L121B02								
L121V02															
L121D02															
L121B02															
L121V02															
4,5	0	-	3	-	3	0,40	L121V02	ZA30E	-	-	12	NBR	-		
							L121B02								
L121V02															
L121D02															
L121B02															
L121V02															

► NOTES

- Sealings : NBR = Nitrile-butylene elastomer FPM = Fluoro-carbon elastomer EPDM = Ethylene-propylene elastomer
 1 - On request special coil ZA32A, class "F", with UL or VDE approved windings - see overleaf.
 2 - Model available on request only: ask for minimum quantity.

L121

► SPECIAL COIL ZA32A

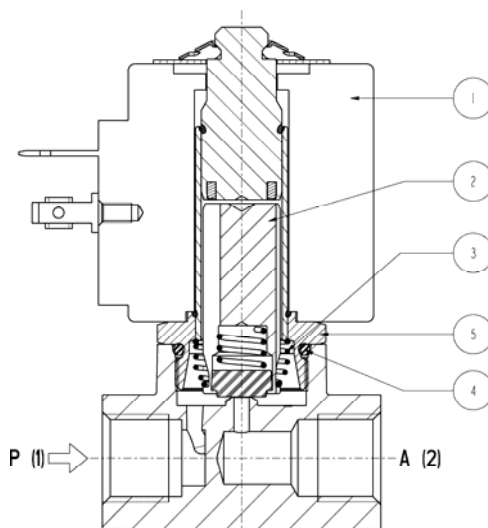
<i>Continuous duty</i>	ED 100%	<i>Ambient temperature</i>	DIN 46340- 3 poles connectors (DIN 43650)
<i>Encapsulation material</i>	PET (polyethylene terephthalate) fiberglass reinforced	<i>Electric connenctions</i>	IP 65 (EN 60529) with plug connector
<i>Coil insulation class</i>	F (155 °C)	<i>Voltagess</i>	AC 24V/50-60Hz (VDE) • 100V/50-60Hz • 115-120V/60Hz (UL) • 200V/50-60Hz • 220-230V/50Hz - 208-240V/60Hz (UL) • 220-240V/50Hz (VDE) • (+10% -15%)
<i>Ambient temperature</i>	-10 °C +50 °C		

Port size ISO 228	Orifice size (mm)	Differential pressure (bar)				Kv (m³/h)	Series and type		Power absorption		Sealings	Notes	Weight (kg)	
		Δp min	Δp max		Valve		DC (W)	Inrush	Holding					
			Gases	Liquids										
			AC	DC	AC	DC								
G 1/4	1,6	0	30		30		0,09	L121V02	23	14	-	FPM	-	0,300
	2,,3		16	-	16	-	0,15	L121B02				NBR	1	
								L121V02				FPM		
								L121D02				EPDM		
								L121B02				NBR		
	3,2		9		9		0,30	L121V02				FPM		

► NOTES

- Sealings : NBR = Nitrile-butylene elastomer FPM = Fluoro-carbon elastomer EPDM = Ethylene-propylene elastomer
1 - Model available on request only: ask for minimum quantity.

► SPARE PARTS



Kit description

Core kit

L121B02
L121V02
L121D02

Kit P.N.

G3022804
G3022803
G3022801

Consisting of:

Core (with core return spring) pos. 2
OR guide assembly pos. 4

Core return spring kit

G3022401

N.10 core return spring pos. 3

OR guide assembly kit

L121B02
L121V02
L121D02

GU2421000017
GU2424000017
GU2423000017

N.10 OR guide assembly pos. 4

Guide assembly

3008301R

Guide assembly pos. 5

Coil

ZA30A
ZA30E
ZA32A

Coil pos. 1

► MOUNTING

Solenoid valve can be mounted in any position; vertical with coil upwards preferred.