

Non contact coded safety switches - Stand alone operation

3SSR24V / 4SSR24BX / 5SSR24BX

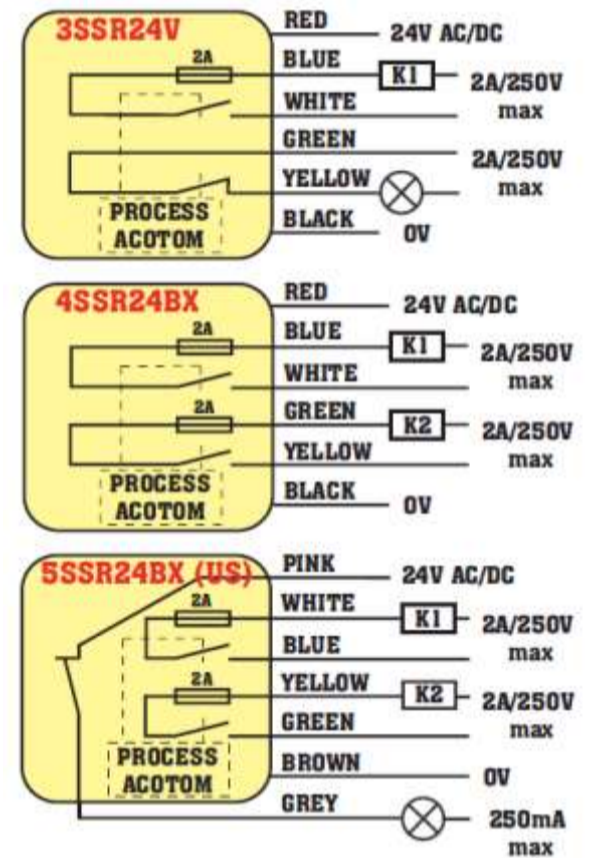
- Coded „ACOTOM®“
- Easily replaces mechanical safety swiches
- High switching capacity
- LED status display of the correct code recognition
- 4SSR24BX and 5SSR24BXUS: bicolor red/green LED
- 5SSR24BX: monocolor LED



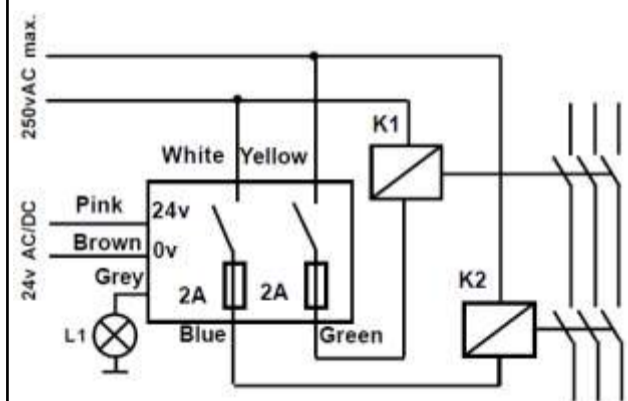
Technical datas

Switching distance Sn (closing):	7 mm
Switching distance Sn (opening):	10 mm
Hysteresis/Misalignment:	+2 mm / ±10 mm
Power supply:	24V AC/DC -15% / +10%, 50/60 Hz
Current consumption:	45 mA/DC, 50 mA/AC
Safety outputs:	outputs 250V/2A 2NO (4SSR24V and 5SSR24BX and 5SSR24BXUS) 1NO/NC (3SSR24V)
Auxiliary output:	1 PNP/NC 250mA (5SSR24BX)
Coding principle	ACOTOM®
Temperature operation:	-20°C to +60°C
Max. switching frequency:	2 Hz
Resistance to vibration:	10 g / 11 ms
Shock stress	10-55 Hz, 1,5 mm
Protection class:	IP67
Mechanical life expectancy:	50.000.000 operations
MTTFd/DC	50 years / 90
Housing:	STAR2E, yellow
Connection:	Cable 8-pin., 3m/6m/12m, or M12 pigtail 8-pin (on 5SSR24BX)
Standards:	
Electromagnetic immunity :	EN60947-5-1, EN954-1, EN13849-1
Weight Emitter/Receiver:	Acc. to IEC 61000-6-2, acc. to IEC 61000-6-4 70g / 205g
Safety classification:	
Acc. to EN ISO 13849-1	1 switch up to PLc cat.1 Serie wiring possible with 30 switches on a safety relay, up to PL3c (PL4c if only one)
Certification:	CE

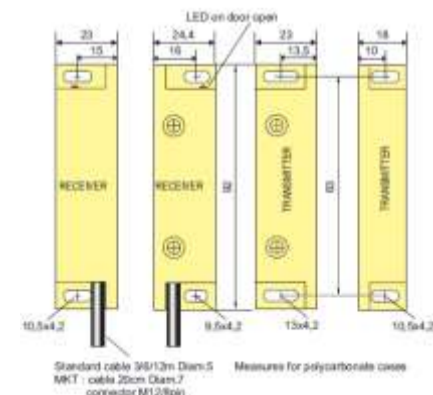
Wiring diagram



Application exemple 5SSR24BX



Dimensions



Ordering-Nr.	3SSR24V/3m 3SSR24V/6m 3SSR24V/12m	4SSR24BX/3m 4SSR24BX/6m 4SSR24BX/12m	5SSR24BX/3m 5SSR24BX/6m 5SSR24BX/12m 5SSR24BX/MKT	5SSR24BXUS/3m 5SSR24BXUS/6m 5SSR24BXUS/12m
--------------	---	--	--	--

STAND ALONE SAFETY SWITCHES
 NON STAND ALONE SAFETY SWITCHES
 ELECTROMAGNETIC LOCKING
 SAFETY RELAYS
 EX SOLUTION
 CODED AND NON-CONTACT SOLENOID INTERLOCKING
 NORMS AND STANDARDS