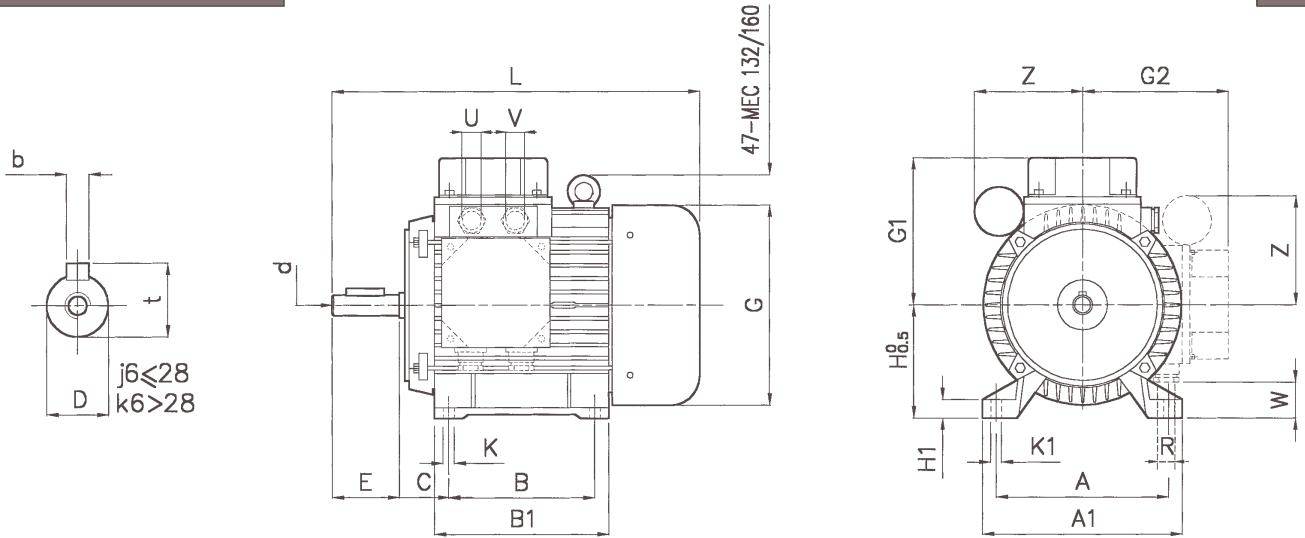


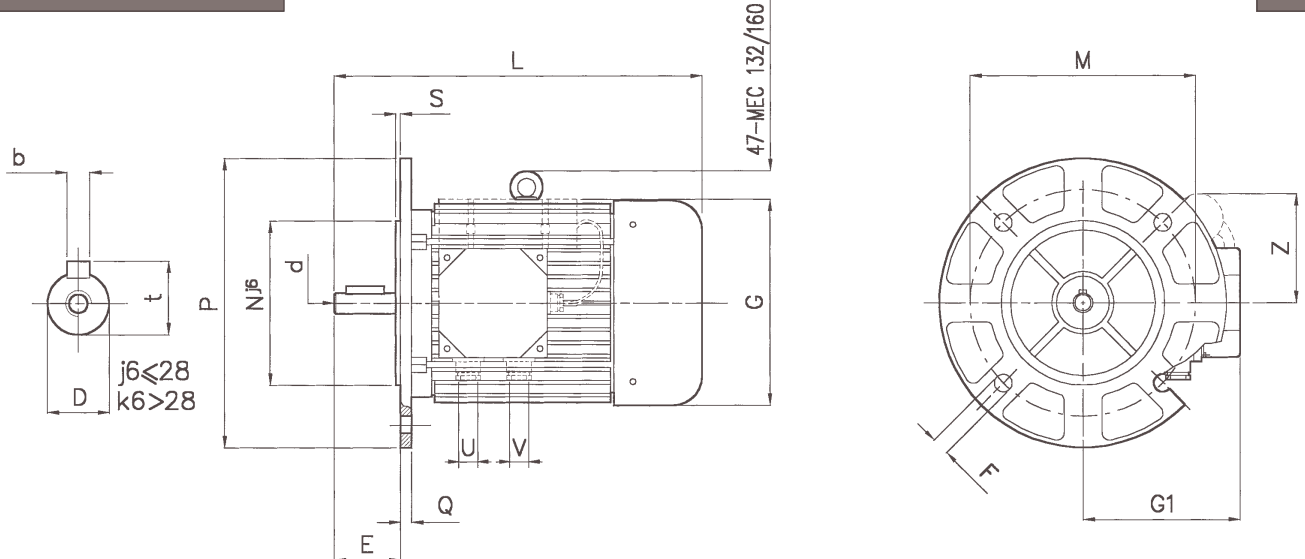
Serie
H/HB - P/PB

B3



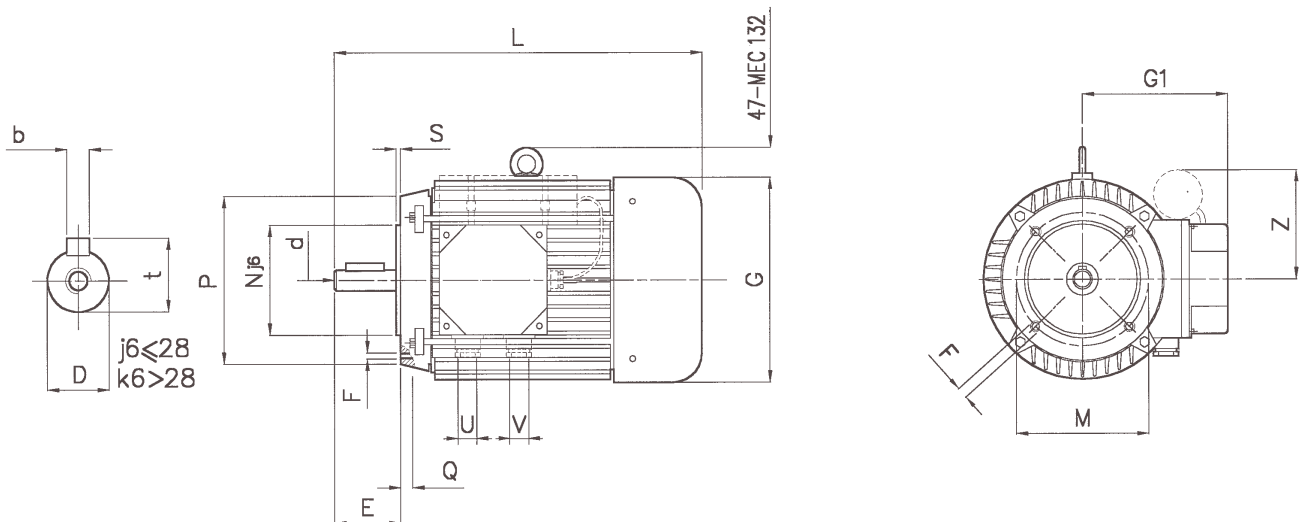
Serie
H/HB - P/PB

B5



Serie
H/HB - P/PB

B14



Serie
H/HB - P/PB

B3

| MEC | A | A1 | B | B1 | C | K | K1 | H | H1 | G | G1 | G2 | W | D | E | b | t | d | Z | U | V | R | H/HB | P/PB |
|------|-----|-----|-----|-----|-----|----|----|-----|------|-----|-----|-----|----|----|-----|----|------|---------|-----|------|--------|-----------|------|------|
| | | | | | | | | | | | | | | | | | | | | | | | L | L |
| 56 | 90 | 107 | 71 | 91 | 36 | 6 | 8 | 56 | 6,3 | 110 | 86 | - | - | 9 | 20 | 3 | 10,2 | M4x10 | 73 | - | PG11 | - | 190 | - |
| 63 | 100 | 120 | 80 | 101 | 40 | 7 | 10 | 63 | 7 | 125 | 93 | 102 | 29 | 11 | 23 | 4 | 12,5 | M4x10 | 85 | - | PG11 | 3/8"Gas | 206 | - |
| 71 | 112 | 135 | 90 | 112 | 45 | 7 | 12 | 71 | 8 | 138 | 102 | 102 | 25 | 14 | 30 | 5 | 16 | M5x12,5 | 75 | - | PG11 | 3/8"Gas | 252 | 280 |
| 80 | 125 | 152 | 100 | 125 | 50 | 9 | 13 | 80 | 11,5 | 156 | 122 | 119 | 25 | 19 | 40 | 6 | 21,5 | M6x15 | 90 | PG11 | - | 3/8"Gas | 278 | 324 |
| 90S | 140 | 170 | 100 | 130 | 56 | 9 | 13 | 90 | 13 | 176 | 125 | 125 | 40 | 24 | 50 | 8 | 27 | M8x20 | 104 | - | PG13,5 | 3/8"Gas | 301 | 360 |
| 90L | 140 | 170 | 125 | 155 | 56 | 9 | 13 | 90 | 13 | 176 | 125 | 125 | 40 | 24 | 50 | 8 | 27 | M8x20 | 104 | - | PG13,5 | 3/8"Gas | 326 | 385 |
| 100L | 160 | 193 | 140 | 170 | 63 | 12 | 17 | 100 | 13,5 | 194 | 140 | 143 | 45 | 28 | 60 | 8 | 31 | M10x25 | 110 | - | PG16 | 2x1/2"Gas | 378 | 428 |
| 112M | 190 | 220 | 140 | 182 | 70 | 12 | 18 | 112 | 14 | 220 | 151 | 173 | 27 | 28 | 60 | 8 | 31 | M10x25 | - | - | PG16 | PG21 | 396 | 442 |
| 132S | 216 | 261 | 140 | 182 | 89 | 12 | 22 | 132 | 16 | 258 | 179 | 201 | 57 | 38 | 80 | 10 | 41 | M12x30 | - | PG21 | PG21 | 2xPG21 | 452 | - |
| 132M | 216 | 261 | 178 | 220 | 89 | 12 | 22 | 132 | 16 | 258 | 179 | 201 | 57 | 38 | 80 | 10 | 41 | M12x30 | - | PG21 | PG21 | 2xPG21 | 490 | - |
| 160M | 254 | 318 | 210 | 260 | 108 | 14 | 25 | 160 | 20 | 310 | 224 | 240 | 47 | 42 | 110 | 12 | 45 | M16x36 | - | PG21 | PG21 | 2xPG21 | 600 | - |
| 160L | 254 | 318 | 254 | 304 | 108 | 14 | 25 | 160 | 20 | 310 | 224 | 240 | 47 | 42 | 110 | 12 | 45 | M16x36 | - | PG21 | PG21 | 2xPG21 | 644 | - |

Serie
H/HB - P/PB

B5

| MEC | G | G1 | M | N | P | Q | S | F | D | E | b | t | d | Z | U | V | H/HB | P/PB |
|------|-----|-----|-----|-----|-----|-----|-----|------|----|-----|----|------|---------|-----|------|--------|------|------|
| | | | | | | | | | | | | | | | | | L | L |
| 56 | 110 | 86 | 100 | 80 | 120 | 8 | 3 | 6,5 | 9 | 20 | 3 | 10,2 | M4x10 | 73 | - | PG11 | 190 | - |
| 63 | 125 | 93 | 115 | 95 | 140 | 9,5 | 3 | 9,5 | 11 | 23 | 4 | 12,5 | M4x10 | 85 | - | PG11 | 206 | - |
| 71 | 138 | 102 | 130 | 110 | 160 | 8,5 | 3,5 | 9 | 14 | 30 | 5 | 16 | M5x12,5 | 96 | - | PG11 | 252 | 280 |
| 80 | 156 | 122 | 165 | 130 | 200 | 9 | 3,5 | 11,5 | 19 | 40 | 6 | 21,5 | M6x15 | 104 | PG11 | - | 278 | 326 |
| 90S | 176 | 125 | 165 | 130 | 200 | 10 | 3,5 | 11,5 | 24 | 50 | 8 | 27 | M8x20 | 128 | - | PG13,5 | 301 | 360 |
| 90L | 176 | 125 | 165 | 130 | 200 | 10 | 3,5 | 11,5 | 24 | 50 | 8 | 27 | M8x20 | 128 | - | PG13,5 | 326 | 385 |
| 100L | 194 | 140 | 215 | 180 | 250 | 11 | 4 | 14 | 28 | 60 | 8 | 31 | M10x25 | 110 | - | PG16 | 378 | 428 |
| 112M | 220 | 151 | 215 | 180 | 250 | 11 | 4 | 14 | 28 | 60 | 8 | 31 | M10x25 | - | - | PG16 | 396 | 442 |
| 132S | 258 | 179 | 265 | 230 | 300 | 15 | 4 | 14 | 38 | 80 | 10 | 41 | M12x30 | - | PG21 | PG21 | 452 | - |
| 132M | 258 | 179 | 265 | 230 | 300 | 15 | 4 | 14 | 38 | 80 | 10 | 41 | M12x30 | - | PG21 | PG21 | 490 | - |
| 160M | 310 | 224 | 300 | 250 | 350 | 14 | 5 | 18 | 42 | 110 | 12 | 45 | M16x36 | - | PG21 | PG21 | 600 | - |
| 160L | 310 | 224 | 300 | 250 | 350 | 14 | 5 | 18 | 42 | 110 | 12 | 45 | M16x36 | - | PG21 | PG21 | 644 | - |

Serie
H/HB - P/PB

B14

| MEC | G | G1 | M | N | P | Q | S | F | D | E | b | t | d | Z | U | V | H/HB | P/PB |
|------|-----|-----|-----|-----|-----|-----|-----|-----|----|----|----|------|---------|-----|------|--------|------|------|
| | | | | | | | | | | | | | | | | | L | L |
| 56 | 110 | 86 | 65 | 50 | 80 | 8 | 2,5 | M5 | 9 | 20 | 3 | 10,2 | M4x10 | 73 | - | PG11 | 190 | - |
| 63 | 125 | 93 | 75 | 60 | 90 | 6,5 | 2,5 | M5 | 11 | 23 | 4 | 12,5 | M4x10 | 85 | - | PG11 | 206 | - |
| 71 | 138 | 102 | 85 | 70 | 105 | 10 | 2,5 | M6 | 14 | 30 | 5 | 16 | M5x12,5 | 75 | - | PG11 | 252 | 280 |
| 80 | 156 | 122 | 100 | 80 | 120 | 17 | 3 | M6 | 19 | 40 | 6 | 21,5 | M6x15 | 90 | PG11 | - | 278 | 326 |
| 90S | 176 | 125 | 115 | 95 | 140 | 10 | 3 | M8 | 24 | 50 | 8 | 27 | M8x20 | 104 | - | PG13,5 | 301 | 360 |
| 90L | 176 | 125 | 115 | 95 | 140 | 10 | 3 | M8 | 24 | 50 | 8 | 27 | M8x20 | 104 | - | PG13,5 | 326 | 385 |
| 100L | 194 | 140 | 130 | 110 | 160 | 11 | 3,5 | M8 | 28 | 60 | 8 | 31 | M10x25 | 110 | - | PG16 | 378 | 428 |
| 112M | 220 | 151 | 130 | 110 | 160 | 14 | 3,5 | M8 | 28 | 60 | 8 | 31 | M10x25 | - | - | PG16 | 396 | 442 |
| 132S | 258 | 179 | 165 | 130 | 200 | 15 | 4 | M10 | 38 | 80 | 10 | 41 | M12x30 | - | PG21 | PG21 | 452 | - |
| 132M | 258 | 179 | 165 | 130 | 200 | 15 | 4 | M10 | 38 | 80 | 10 | 41 | M12x30 | - | PG21 | PG21 | 490 | - |

▲ **B14 MEC 56÷71** = Flangia con 8 fori filettati - Flange with 8 threaded holes - Bride avec 8 trous taraudés
 Flansch mit 8 Gewindebohrungen - Brida con 8 orificios roscados

▲ **B14 MEC 80÷132** = Flangia con 4 fori filettati - Flange with 4 threaded holes - Bride avec 4 trous taraudés
 Flansch mit 4 Gewindebohrungen - Brida con 4 orificios roscados