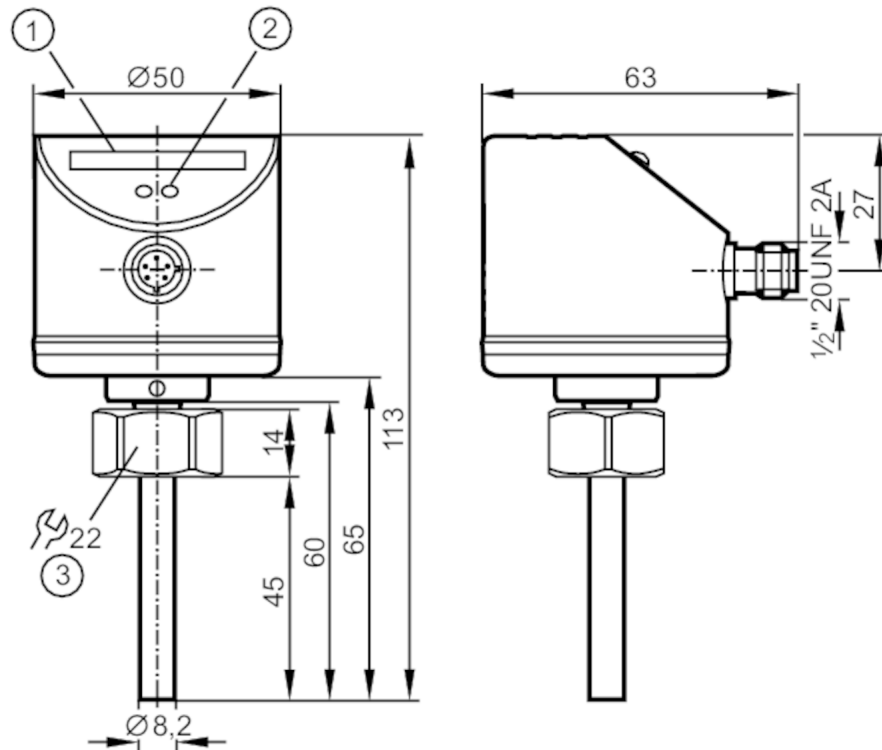


# SI5006



## Flow monitor

SID10ADBFKOW/LS-100-IRF



- 1 LED bar display
- 2 setting pushbutton
- 3 Tightening torque 25 Nm



Made in Germany

### Application

Media		Liquids; Gases
Medium temperature	[°C]	-25...80
Pressure rating	[bar]	300

### Electrical data

Operating voltage	[V]	85...265 AC
Operating voltage tolerance	[%]	-5...10
Nominal voltage AC	[V]	< 240
Protection class		II
Reverse polarity protection		no

# SI5006



## Flow monitor

SID10ADBFKOW/LS-100-IRF

Outputs		
Total number outputs		1
Output signal		switching signal
Number of digital outputs		1
Output function		normally open / normally closed
Contact rating		3 A (250 V AC / 30 V DC); (number of switching cycles: 20 million mechanically; switching cycles at 3 A load: 100,000 electrical; relay type: contact closed at work)
Electrical design		Relais
Short-circuit proof		no
Overload protection		no
Measuring/setting range		
Liquids		
Setting range	[cm/s]	3...300
Greatest sensitivity	[cm/s]	3...100
Gases		
Setting range	[cm/s]	200...3000
Greatest sensitivity	[cm/s]	200...800
Accuracy / deviations		
Repeatability	[% of Sr]	1...5
Temperature drift	[cm/s x 1/K]	0.1; (for water 5...100 cm/s; 10...70 °C)
Temperature gradient	[K/min]	300
Switch point accuracy	[cm/s]	± 2...± 10; (for water 5...100 cm/s; 25 °C; Factory setting)
Hysteresis	[cm/s]	2...5; (for water 5...100 cm/s; 25 °C; Factory setting)
Response times		
Power-on delay time	[s]	10
Response time	[s]	1...10
Software / programming		
Adjustment of the switch point		pushbutton
Operating conditions		
MAWP (for applications according to CRN)	[bar]	208
Ambient temperature	[°C]	-25...80
Storage temperature	[°C]	-25...100
Protection		IP 67
Tests / approvals		
EMC	DIN EN 61000-6-2	
	DIN EN 61000-6-3	
Shock resistance	DIN EN 60068-2-27	50 g (11 ms)
Vibration resistance	DIN EN 60068-2-6	20 g (55...2000 Hz)
MTTF	[years]	221

# SI5006



## Flow monitor

SID10ADBFKOW/LS-100-IRF

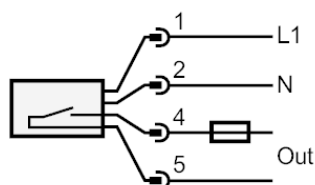
Mechanical data		
Weight	[g]	253.8
Dimensions	[mm]	M18 x 1.5
Thread designation		M18 x 1.5
Materials		stainless steel (1.4404 / 316L); stainless steel (1.4301 / 304); PC; PBT-GF20; EPDM/X
Process connection		M18 x 1,5 internal thread
Materials (wetted parts)		stainless steel (1.4404 / 316L); O-ring: FKM 8 x 1.5 gr 80° Shore A
Displays / operating elements		
Display	function	10 x LED, three-colour
Remarks		
Remarks	Recommendation Check the safe functioning of the unit after a short circuit.	
Pack quantity	1 pcs.	

### Electrical connection

Connector: 1 x 1/2"



### Connection



Note miniature fuse to IEC60127-2 sheet 1 ≤ 5 A fast acting