

## Cam action indexing plungers

Steel / Stainless Steel

### SPECIFICATION

#### Types

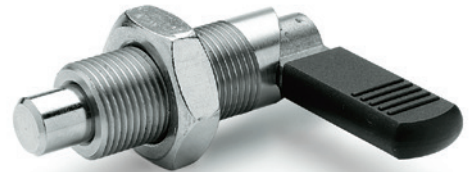
- Type **A**: without plastic cover, without lock nut
- Type **B**: with plastic cover, without lock nut
- Type **AK**: without plastic cover, with lock nut
- Type **BK**: with plastic cover, with lock nut

#### Version in Steel

- blackened
- Pin nitrided

#### Version in Stainless Steel AISI 303 NI

Spring  
Stainless Steel AISI 301  
Plastic cover (Polyamide PA)  
black, matt



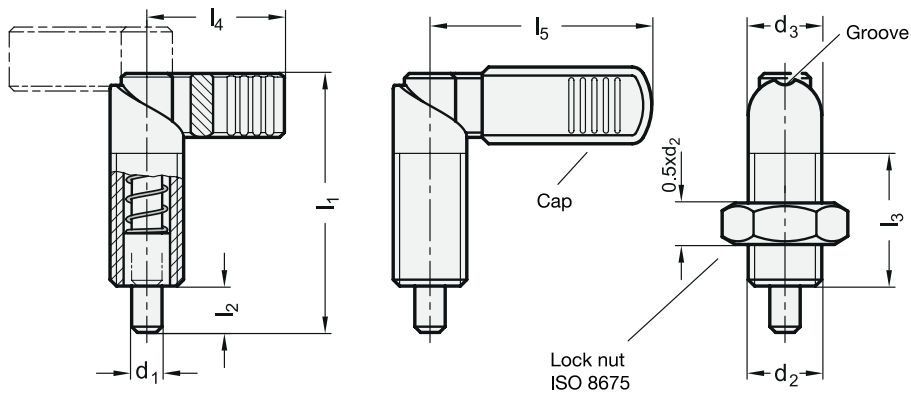
### INFORMATION

Cam action indexing plungers GN 612 are used in cases where the locking pin must not protrude all the time. By rotating the lock through 180° the locking pin withdraws itself. A groove is provided in either position to prevent the lock from rotating.

- Range of cam action indexing plungers (see page 816)

### TECHNICAL INFORMATION

- ISO-Fundamental Tolerances (see page A21)
- Stainless Steel characteristics (see page A26)
- Plastic characteristics (see page A2)
- Load rating information (see page A42)



\* Complete with type index of the Cam action indexing plungers

A AK B BK

### GN 612

Description	d1 Pin -0.02/-0.04 Bore H7	d2	d3	l1	l2	l3 +1.5	l4	l5	Spring load in N ≈ initial	Spring load in N ≈ end	⚖
GN 612-4-M10-*	4**	M 10	10	37.5	6	19	21	-	7	20	17
GN 612-4-M10x1-*	4**	M 10 x 1	10	37.5	6	19	21	-	7	20	17
GN 612-5-M10-*	5**	M 10	10	37.5	6	19	21	-	7	20	17
GN 612-5-M10x1-*	5**	M 10 x 1	10	37.5	6	19	21	-	7	20	18
GN 612-5-M12-*	5	M 12	12	47	8	26	26	32	8	18	28
GN 612-5-M12x1,5-*	5	M 12 x 1.5	12	47	8	26	26	32	8	18	28
GN 612-6-M10-*	6**	M 10	10	37.5	6	19	21	-	7	20	18
GN 612-6-M10x1-*	6**	M 10 x 1	10	37.5	6	19	21	-	7	20	18
GN 612-6-M12-*	6	M 12	12	47	8	26	26	32	8	18	29
GN 612-6-M12x1,5-*	6	M 12 x 1.5	12	47	8	26	26	32	8	18	30
GN 612-6-M16-*	6	M 16	16	56	10	30	32	42	11	29	57
GN 612-6-M16x1,5-*	6	M 16 x 1.5	16	56	10	30	32	42	11	29	59
GN 612-8-M12-*	8	M 12	12	47	8	26	26	32	8	18	30
GN 612-8-M12x1,5-*	8	M 12 x 1.5	12	47	8	26	26	32	8	18	29
GN 612-8-M16-*	8	M 16	16	56	10	30	32	42	11	29	59
GN 612-8-M16x1,5-*	8	M 16 x 1.5	16	56	10	30	32	42	11	29	61
GN 612-8-M20x1,5-*	8	M 20 x 1.5	20	69	12	37	37	52	21	57	111
GN 612-8-M20-*	8	M 20	20	69	12	37	37	52	21	57	115
GN 612-10-M16x1,5-*	10	M 16 x 1.5	16	56	10	30	32	42	11	29	60
GN 612-10-M16-*	10	M 16	16	56	10	30	32	42	11	29	61
GN 612-10-M20x1,5-*	10	M 20 x 1.5	20	69	12	37	37	52	21	57	114
GN 612-10-M20-*	10	M 20	20	69	12	37	37	52	21	57	121
GN 612-12-M20x1,5-*	12	M 20 x 1.5	20	69	12	37	37	52	21	57	100
GN 612-12-M20-*	12	M 20	20	69	12	37	37	52	21	57	120

### GN 612-NI

STAINLESS STEEL

Description	d1 Pin -0.06/-0.08 Bore H7	d2	d3	l1	l2	l3 +1.5	l4	l5	Spring load in N ≈ initial	Spring load in N ≈ end	⚖
GN 612-4-M10-*-NI	4**	M 10	10	37.5	6	19	21	-	7	20	16
GN 612-4-M10x1-*.NI	4**	M 10 x 1	10	37.5	6	19	21	-	7	20	17
GN 612-5-M10-*.NI	5**	M 10	10	37.5	6	19	21	-	7	20	17
GN 612-5-M10x1-*.NI	5**	M 10 x 1	10	37.5	6	19	21	-	7	20	18
GN 612-5-M12-*.NI	5	M 12	12	47	8	26	26	32	8	18	28
GN 612-5-M12x1,5-*.NI	5	M 12 x 1.5	12	47	8	26	26	32	8	18	28
GN 612-6-M10-*.NI	6**	M 10	10	37.5	6	19	21	-	7	20	18
GN 612-6-M10x1-*.NI	6**	M 10 x 1	10	37.5	6	19	21	-	7	20	18
GN 612-6-M12-*.NI	6	M 12	12	47	8	26	26	32	8	18	29
GN 612-6-M12x1,5-*.NI	6	M 12 x 1.5	12	47	8	26	26	32	8	18	30
GN 612-6-M16-*.NI	6	M 16	16	56	10	30	32	42	11	29	57
GN 612-6-M16x1,5-*.NI	6	M 16 x 1.5	16	56	10	30	32	42	11	29	59
GN 612-8-M12-*.NI	8	M 12	12	47	8	26	26	32	8	18	30
GN 612-8-M12x1,5-*.NI	8	M 12 x 1.5	12	47	8	26	26	32	8	18	30
GN 612-8-M16-*.NI	8	M 16	16	56	10	30	32	42	11	29	58
GN 612-8-M16x1,5-*.NI	8	M 16 x 1.5	16	56	10	30	32	42	11	29	60
GN 612-8-M20x1,5-*.NI	8	M 20 x 1.5	20	69	12	36	37	52	21	57	121
GN 612-8-M20-*.NI	8	M 20	20	69	12	36	37	52	21	57	115
GN 612-10-M16x1,5-*.NI	10	M 16 x 1.5	16	56	10	30	32	42	11	29	64
GN 612-10-M16-*.NI	10	M 16	16	56	10	30	32	42	11	29	61
GN 612-10-M20x1,5-*.NI	10	M 20 x 1.5	20	69	12	36	37	52	21	57	120
GN 612-10-M20-*.NI	10	M 20	20	69	12	36	37	52	21	57	117
GN 612-12-M20x1,5-*.NI	12	M 20 x 1.5	20	69	12	36	37	52	21	57	130
GN 612-12-M20-*.NI	12	M 20	20	69	12	36	37	52	21	57	120

\*\* These sizes are only available in Type A and Type AK.



Indexing elements