

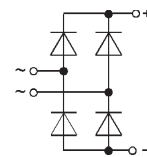
Power Bridge Rectifiers

SKB B . . / . . -4
SKBa B . . / . . -4
SKB 15



V _{RSM} V _{RRM}	V _{VRMS} V	I _D			
		5 A (T _{amb} = 45 °C)		15 A (T _{case} = 117 °C)	
V	V	Types	R _{min} Ω	Types	R _{min} Ω
200	60	–	–	SKB 15/02 A2	0,15
400	125	SKB B 80/70-4	0,5	SKB 15/04 A2	0,3
800	250	SKB B 250/220-4	1	SKB 15/08 A2	0,5
1200	380	SKB B 500/445-4	2	SKB 15/12 A2	0,75
1400	440	–	–	SKB 15/14 A2	0,9
1600	500	–	–	SKB 15/16 A2	1
V _(BR) min	V _{VRMS} V	Avalanche Type			
1300	500	SKBa B 500/445-4	2	–	

Symbol	Conditions	SKB.. -4 SKBa.. -4	SKB 15	Units
I _D	T _{amb} = 45 °C; isolated ¹⁾ chassis ²⁾ P5A/100	5 5 –	5 11 17	A A A
I _{DCL}	T _{amb} = 45 °C; isolated ¹⁾ chassis ²⁾ P5A/100	4 4 –	4 9 14	A A A
I _{FSM}	T _{vj} = 25 °C, 10 ms	180	370	A
i ² t	T _{vj} = 150 °C, 10 ms	150	320	A
P _{RSM}	T _{vj} = 25 °C, 8,3...10 ms	160	680	A ² s
	T _{vj} = 150 °C, 8,3...10 ms	110	500	A ² s
V _F	t _p = 10 μs; avalanche type	3000	–	W
V _(TO)	T _{vj} = 25 °C; I _F = 80 A	2,65	–	V
r _T	I _F = 150 A	–	2,2	V
I _{RD}	T _{vj} = 150 °C	0,8	0,85	V
t _{rr} f _G	T _{vj} = 150 °C	24	12	mΩ
	T _{vj} = 25 °C; V _{RD} = V _{RRM}	0,1	0,3	mA
	V _{RD} = V _{(BR)min}	10	–	μA
R _{thjc} R _{thch} R _{thja}	T _{vj} = 150 °C; V _{RD} = V _{RRM}	0,6	5	mA
	T _{vj} = 25 °C	typ. 10 2000		μs Hz
T _{vj} T _{stg}	total	–	1	°C/W
	total	–	0,3	°C/W
	isolated ¹⁾	13	12	°C/W
	chassis ²⁾	–	4,3	°C/W
V _{isol} RC	P5A/100	–	2,7	°C/W
		– 40...+150		°C
Fu M ₁		– 55...+150		°C
	a.c. 50...60 Hz; r.m.s.; 1 s / 1 min P _R = 1 W	–	3000/2500	V~
M ₂		20 ... 50	20 ... 50	Ω
		10	100	nF
w		6	20	A
		1,5 ± 15 %		Nm
Case	to heatsink	SI units	13 ± 15 %	lb. in.
		US units	1 ± 15 %	Nm
Case	to terminals	SI units	9 ± 15 %	lb. in.
		US units		g
		60	65	
		G 8	G 9	



Features

- Square plastic case with screw terminals
- Blocking voltage to 1600 V
- **SKB 15** with metal baseplate for improved heat transfer
- **SKBa** with avalanche characteristics

Typical Applications

- Internal power supplies for electronic equipment
- Electronic control equipment
- DC motors
- Field rectifiers for DC motors
- Battery charger rectifiers
- Avalanche type for inductive loads:
Solenoids,
Motor brakes

1) Freely suspended or mounted on an insulator
 2) Mounted on a painted metal sheet of min. 250 x 250 x 1 mm

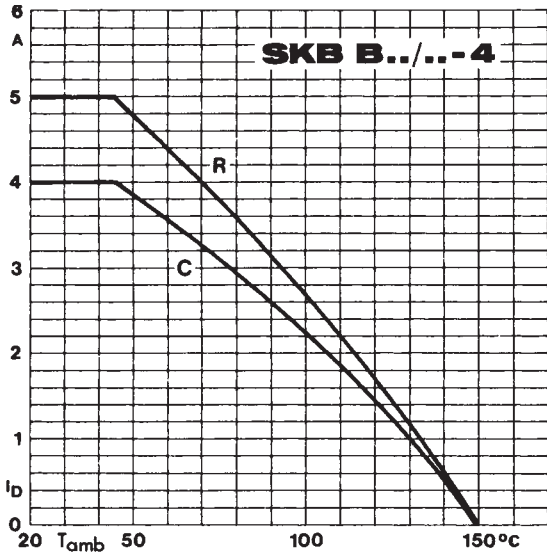


Fig. 1 Rated output current vs. ambient temperature

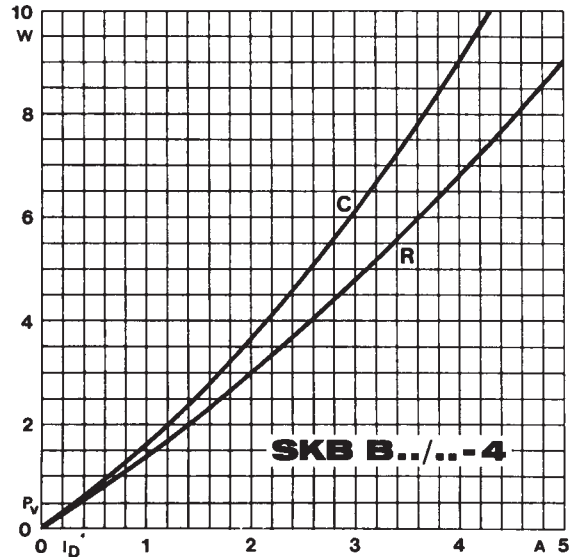


Fig. 2 Power dissipation vs. output current

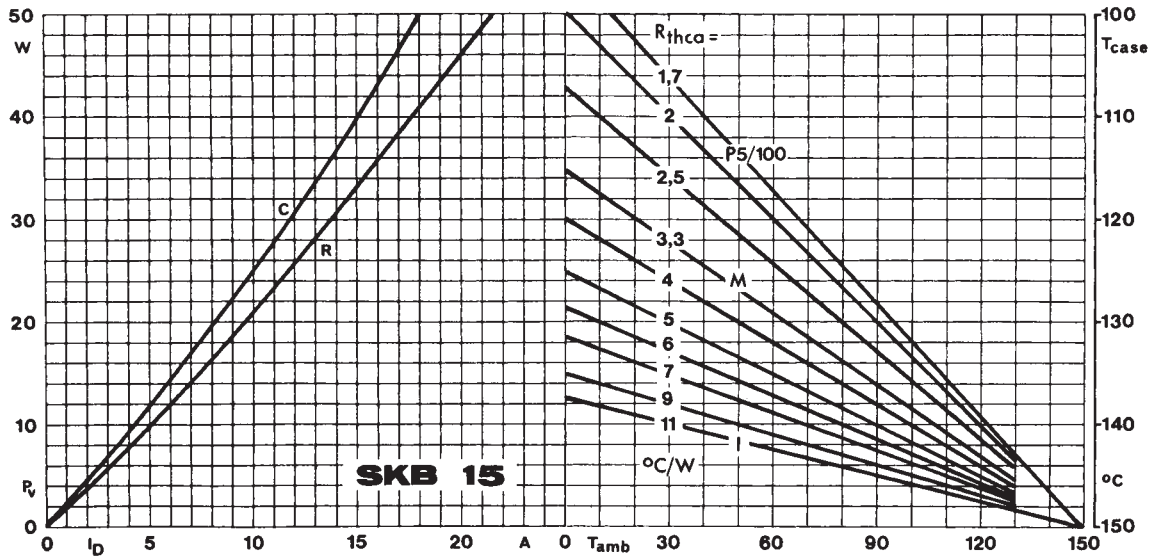


Fig. 3 Power dissipation vs. output current and case temperature

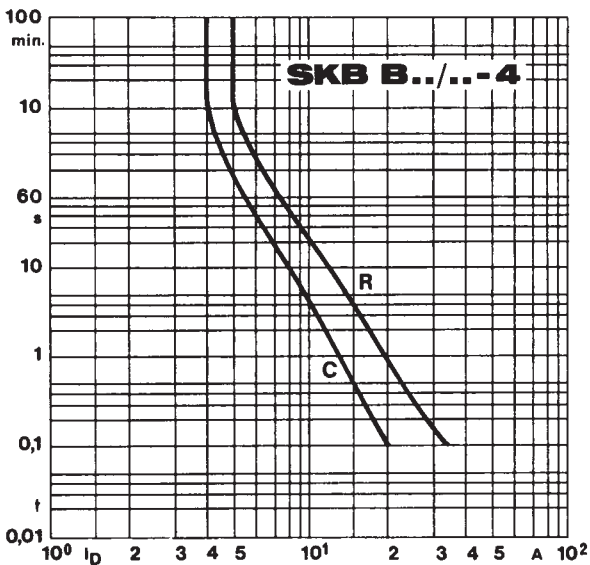


Fig. 6 a Rated overload current vs. time

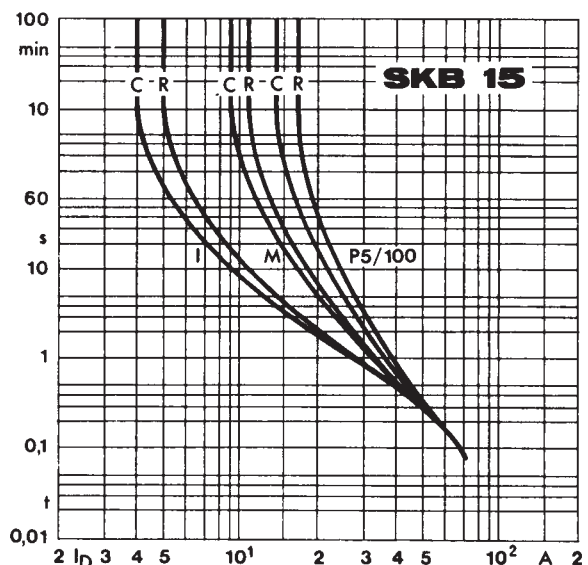


Fig. 6 b Rated overload current vs. time

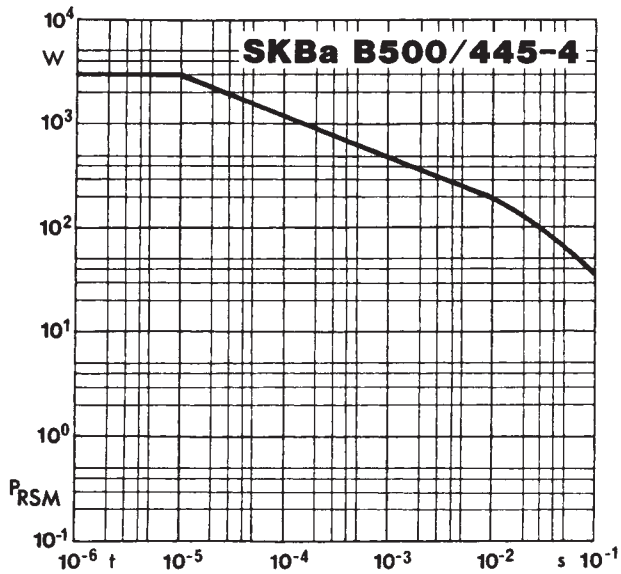


Fig. 7 Rated reverse power dissipation vs. time

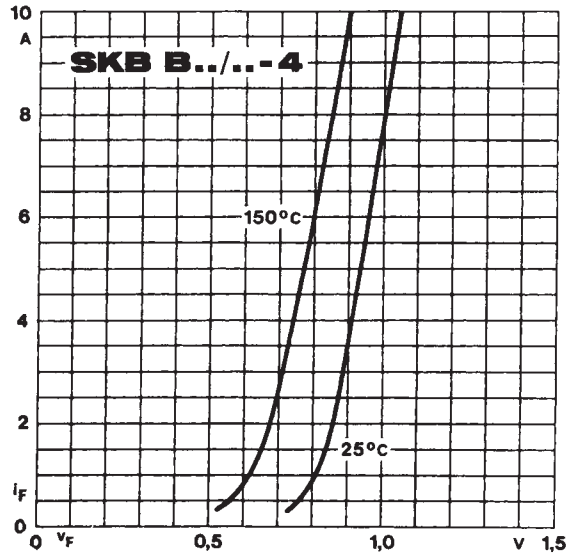


Fig. 9 a Forward characteristics of a single diode

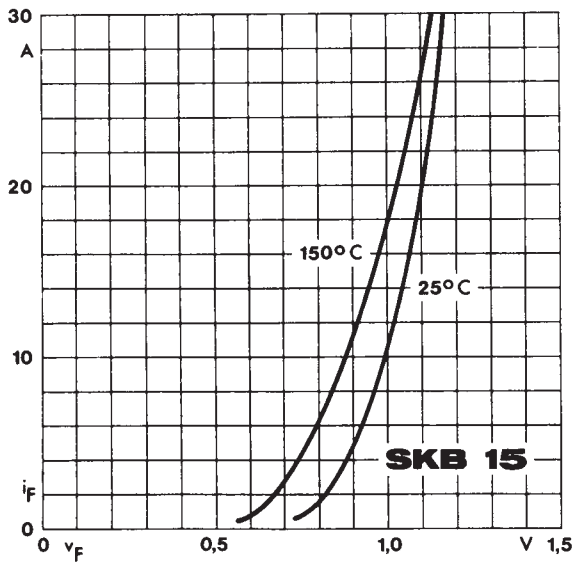
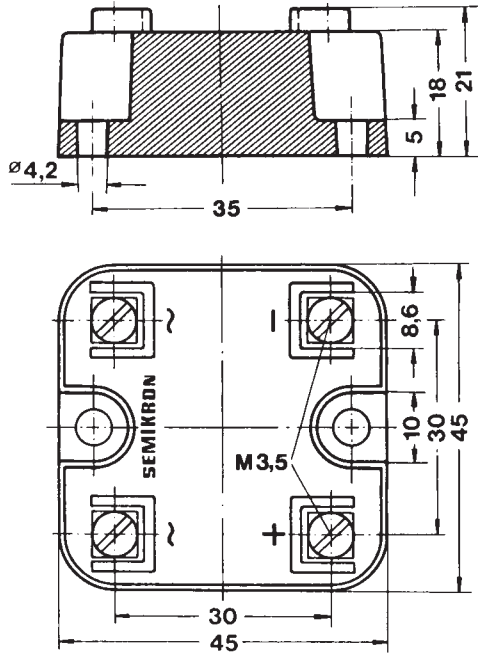


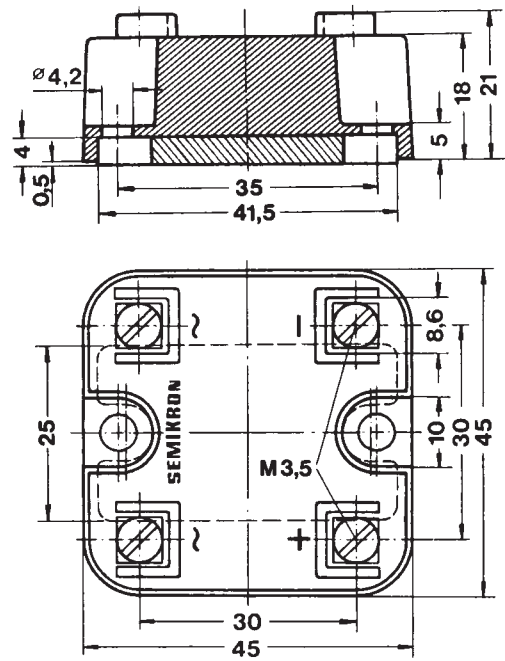
Fig. 9 b Forward characteristics of a single diode

SKB B.../...4
SKB aB.../...4
Case G 8



Dimensions in mm

SKB 15
Case G 9



Dimensions in mm