


Für Schirmleiter:  
Schraube M4x8 und Kabelschuh,  
mit Zahnscheibe nach DIN6797-A  
4.3-FSt unterlegt.

For shielding  
use metric screw M4x8 with forked terminal.  
For good contact to housing use a  
studded disc DIN6797-A 4.3-Fst.

Artikel-Nr. und Steckerbelegung: siehe Datenblatt  
Article-No. and pin connections: see data sheet

 TR Electronic GmbH Eglshalde 6 78647 Trossingen Telefon 07425/228-0			Maßstab 1:1	DIN A3	Projekt-Nr.:
			Zeichnungs-Nr. nur für diese Ausführung gültig Drawing-No. only for this type valid		
		Datum	Name		
		Erstellt	03.11.2004	Habetler	
		Bearb.	15.11.2004	HABETLER	
		Gepr.			
		Norm			
		www.tr-electronic.de		Zeichnungs-NR./Drawing-No.: <b>04-CEV65M-M0003</b>	
		DXF+Info: info@tr-electronic.de			
1	Überarbeitung	15.11.04	Habetler	Blatt <b>1</b> BL	
Zust.	Änderung	Datum	Name		

φ36	f7	-0.025	35.975
		-0.05	35.95
φ10	h7	0	10
		-0.015	9.985
Dimensions	Tolerances		

**Connector pin assignment for Profibus-DP Encoder with PNO-Profile Class 2  
Design with two-pole screw terminals and Preset**

**General note:**

If the encoder is the last station in the profibus line, the DIP switches *S3* and *S4* for the profibus terminator (switching-on of the terminal resistance) must be switched on. Otherwise they must be switched off.

The profibus also works when the encoder is removed. Is the encoder the last station in the profibus line, the reference potential of the terminator resistances is missing!

In order to enable a separate wiring of incoming and outgoing signals the profibus terminals and the terminals for the supply voltage have two connection possibilities.

TR-Electronic recommends for the operation to use only bus cables certified by the Profibus User Organization (PNO).

With the BCD address switches *S1* ( $10^1$ ) and *S2* ( $10^0$ ) the station address for the profibus is set from 3 to 99.

**Explanation of terms:**

US: Supply voltage, 11-27 V DC  
 US-input: 1-level > +8V, 0-level < +2V, up to ±35V, 5 kOhm

**X1 - screw clamp 2-pin**

Pin 1 Profibus DataA  
 Pin 2 Profibus DataB

**X2 - screw clamp 2-pin**

Pin 1 Profibus DataB  
 Pin 2 Profibus DataA

**X3 - screw clamp 2-pin**

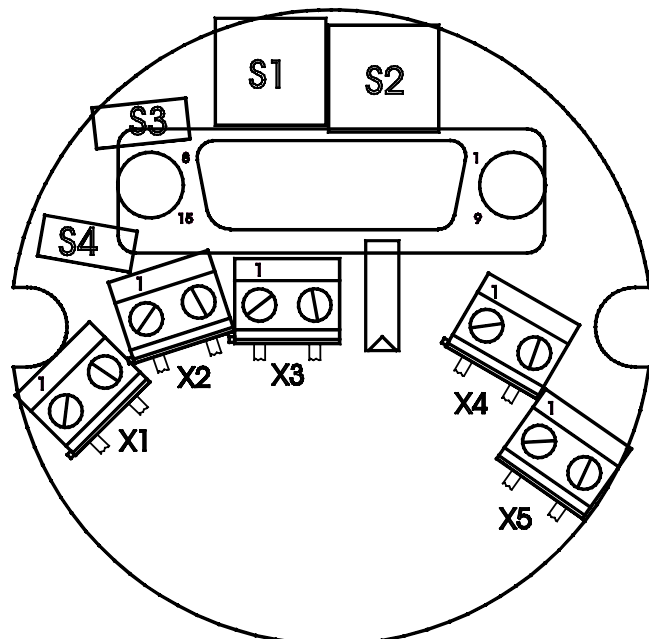
Pin 1 US-input for Preset 1  
 Pin 2 US-input for Preset 2

**X4 - screw clamp 2-pin**

Pin 1 US, supply voltage  
 Pin 2 GND, supply voltage 0 V

**X5 - screw clamp 2-pin**

Pin 1 GND, supply voltage 0 V  
 Pin 2 US, supply voltage



## Produktdatenblatt / Product Data Sheet

Art.: CEV65M-01460 CEV65M\*4096/4096 PBS (ALT.:110-01460)

---

NO.OF STEPS/REV	4.096,000
NO. OF REVOLUTIONS	4.096,000
INTERFACE	PROFIBUS DP
CODE	PROGRAMMIERB
SUPPLY VOLTAGE	11-27V
OUTPUT LEVEL	RS485
PROTECTION TYPE	IP65
TEMPERATURE RANGE	-20+70°C
FLANGE TYPE	ZB36
SHAFT TYPE	10FL/19,5
CONNECTOR TYPE	3XPG9
CONNECTOR-POSITION	PG RADIAL
cable length (m)	
PINOUT NO.	TR-ECE-TI-D-0017
MATING PLUG	NO
OPTIONS ENC	12MBAUD
	PNO-PROFIL CLASS.2
DRAWING NO.	04-CEV65M-M0003
VERSIONSNR	000
WINPROG-DATEI	
SOFTNR	4376AA
KPL-GERAET	
DOCUMENTATION NO	DOKUMENTE

---

GL	= Wellenausführung glatt / shaft type cylindrical
FL	= Wellenausführung mit Fläche / shaft type with flat surface
N	= Wellenausführung mit Nut / shaft type with slot
Hohlw	= Hohlwelle / hollow shaft
Klemme	= mit Klemmring / with clamping ring
Grundw	= Grundwelle / fundamental shaft
SLG	= Seillängengeber / cable retractor
ZB	= Zentrierbund / centre ring
Tachofl	= Tachoflansch / tachometer flange
DAG	= DAG-Schutzgehäuse / DAG protective housing
TK	= Teilkreis / pitch circle