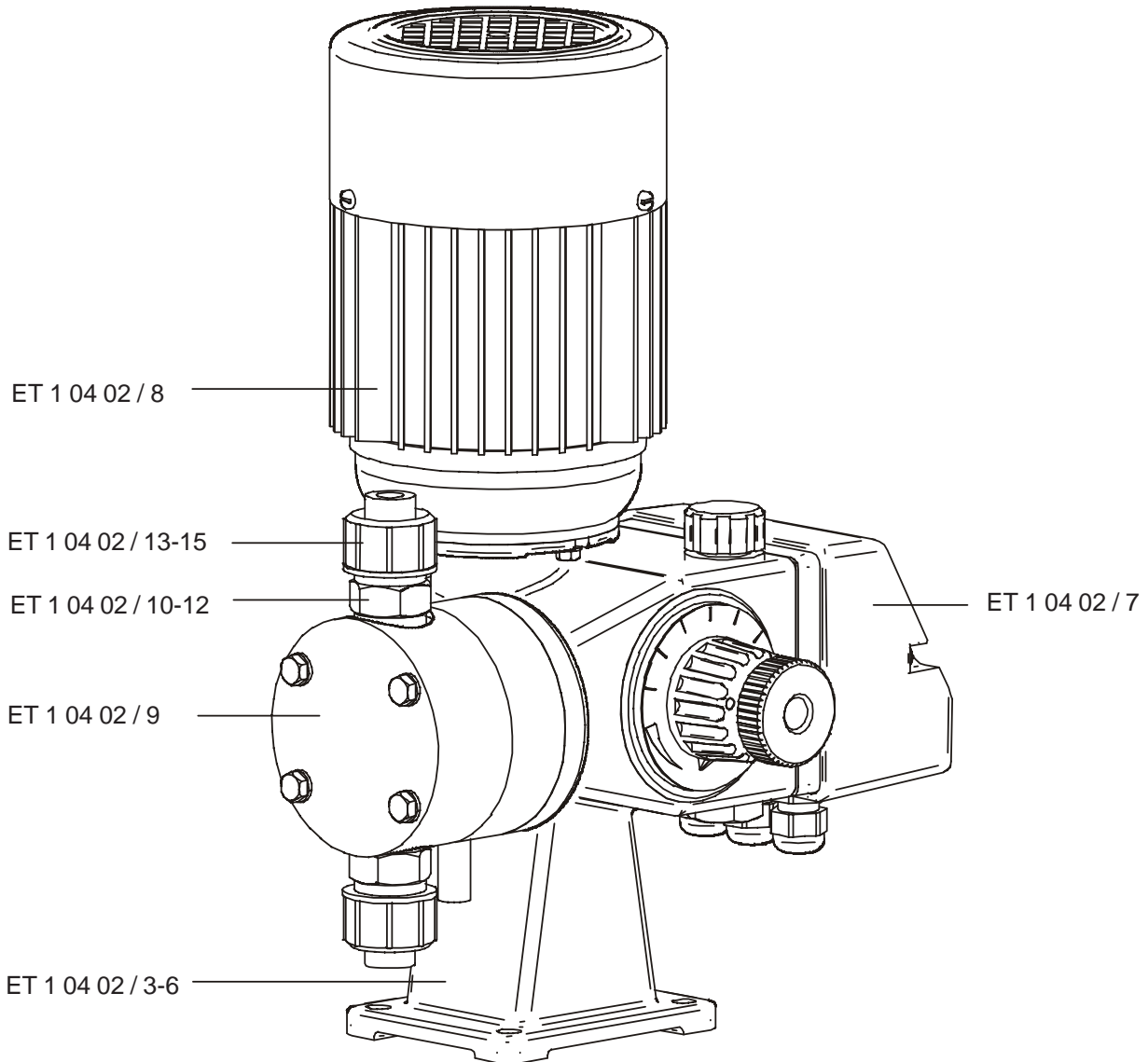
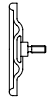





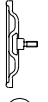





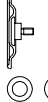


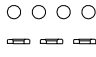

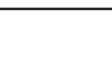


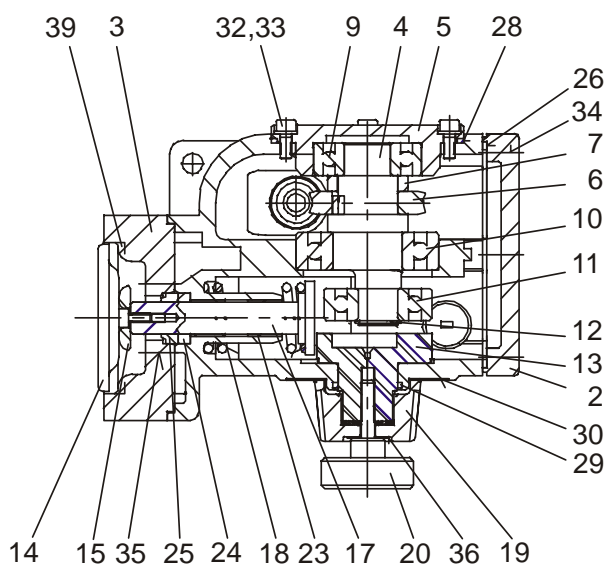
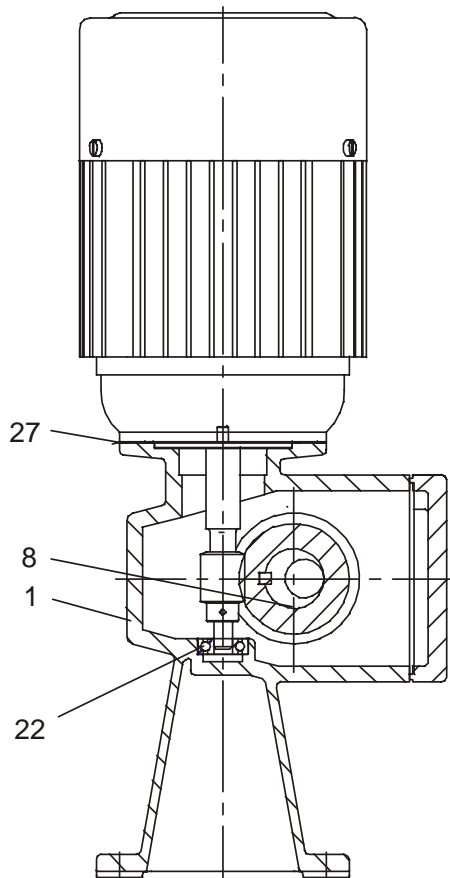
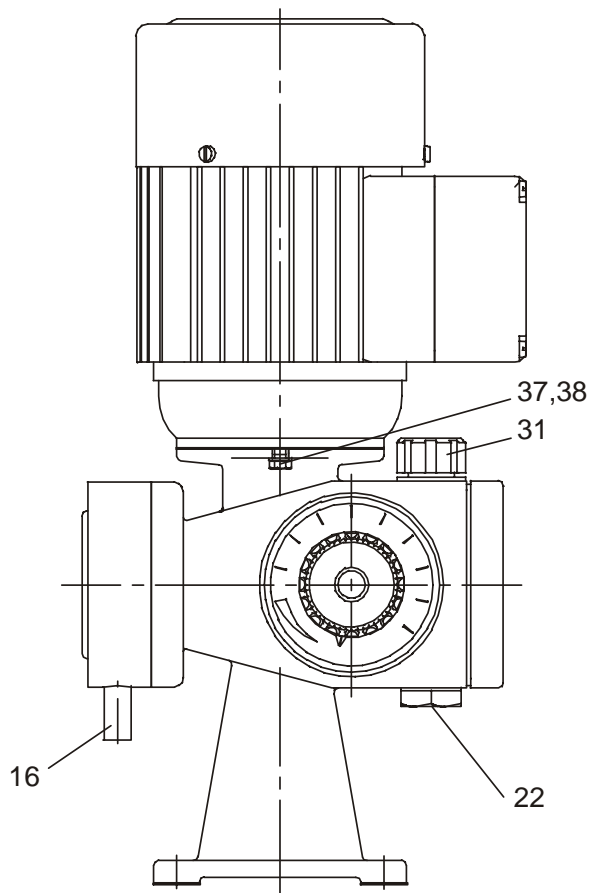
General view of modules**Diaphragm Metering Pump MEMDOS E / DX**

Spare parts kits

include:		Pump type:	Head/ Seal materials	Part No.
     	Diaphragm Gaskets	E / DX 4...26	PVC / Viton	29750
	O-rings		PVC / PTFE	29791
	Valve balls		PVC / EPDM	33698
	Valve seat		1.4571 / PTFE	29751
     	Diaphragm Seals	E / DX 50...76	PVC / Hypalon	28274
	Valve balls		PVC / Viton	28275
	Valve seat		1.4571 / AF	28276
     	Diaphragm Seals	E / DX 110...156	PP / Hypalon	28300
			PP / Viton	28301
	Valve balls		1.4571 / AF	28302
	Valve seat	E / DX 160...260	PP / Hypalon	28308
			PP / Viton	28309
			1.4571 / AF	28310
		E / DX 300...380	PP / Hypalon	28316
			PP / Viton	28317
			1.4571 / AF	28318

Drive Memdos E / DX4 ... 156

Diaphragm Metering Pump MEMDOS E / DX

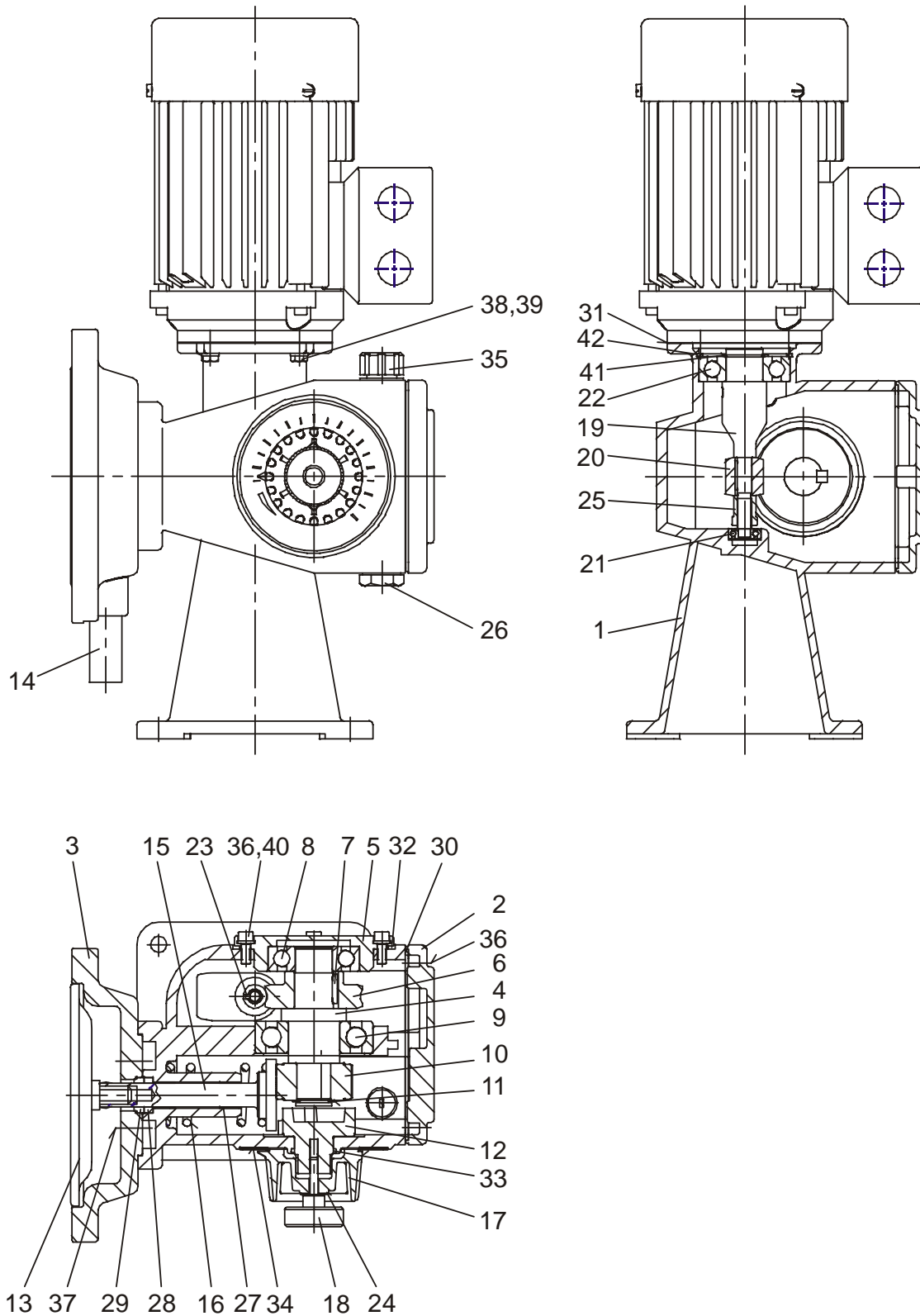


Item	Description	Material	Part No.	E / DX4	E / DX8	E / DX15	E / DX25	E / DX26	E / DX50	E / DX75	E / DX76	E / DX110	E / DX150	E / DX156
1	Gearbox	GKAlSi12	34850	1	1	1	1	1	1	1	1	1	1	1
2	Housing cover E *	GKAlSi12	34851	1	1	1	1	1	1	1	1	1	1	1
3	Diaphragm flange d52	PP	34877	1	1	1	1	1	-	-	-	-	-	-
	Diaphragm flange d64	PP	34863	-	-	-	-	-	1	1	1	-	-	-
	Diaphragm flange d90	AlCuMg	34878	-	-	-	-	-	-	-	-	1	1	1
4	Eccentric shaft 6mm stroke	9SMnPb28K	34867	1	1	1	1	1	-	-	-	-	-	-
	Eccentric shaft 9mm stroke	9SMnPb28K	34875	-	-	-	-	-	1	1	1	1	1	1
5	Bearing flange	AlCuMg	34862	1	1	1	1	1	1	1	1	1	1	1
6	Worm wheel 30:2	Bronze	18159	-	-	1	-	-	1	-	-	1	-	-
	Worm wheel 55:1	Bronze	18112	1	-	-	-	-	-	-	-	-	-	-
	Worm wheel 10:1	Bronze	34883	-	-	-	1	-	-	1	-	-	1	-
	Worm wheel 12:1	Bronze	35186	-	-	-	-	1	-	-	1	-	-	1
	Worm wheel 30:1	Bronze	31422	-	1	-	-	-	-	-	-	-	-	-
7	Spacer	9SMnPb28K	34871	1	1	1	1	1	1	1	1	1	1	1
8	Square key	St	83406	1	1	1	1	1	1	1	1	1	1	1
9	Grooved ball bearing	St	86090	1	1	1	1	1	1	1	1	1	1	1
10	Grooved ball bearing	St	86137	1	1	1	1	1	1	1	1	1	1	1
11	Grooved ball bearing	St	86138	1	1	1	1	1	1	1	1	1	1	1
12	Retaining ring	Spring steel	84009	1	1	1	1	1	1	1	1	1	1	1
13	Adjusting eccentric 6mm stroke	IXEF	34853	1	1	1	1	1	-	-	-	-	-	-
	Adjusting eccentric 9mm stroke	IXEF	34854	-	-	-	-	-	1	1	1	1	1	1
14	Diaphragm d52	EPDM/PTFE	81464	1	1	1	1	1	-	-	-	-	-	-
	Diaphragm d64	EPDM/PTFE	81465	-	-	-	-	-	1	1	1	-	-	-
	Diaphragm d90	EPDM/PTFE	81466	-	-	-	-	-	-	-	-	1	1	1
15	Support plate	Brass	28977	-	-	-	-	-	1	1	1	-	-	-
16	Leakage pipe d8	PP	34865	1	1	1	1	1	-	-	-	-	-	-
	Leakage pipe d10 assembly	PP/Viton	25174	-	-	-	-	-	1	1	1	-	-	-
	Leakage pipe d16 assembly	PP/Viton	25190	-	-	-	-	-	-	-	-	1	1	1
17	Diaphragm rod M4	1.4305	34868	1	1	1	1	1	1	1	1	-	-	-
	Diaphragm rod M8	1.4305	34876	-	-	-	-	-	-	-	-	1	1	1
18	Return spring	Spring steel	10119	1	1	1	1	1	1	1	1	1	1	1
19	Adjusting knob	Plastic	34855	1	1	1	1	1	1	1	1	1	1	1
20	Knurled knob	Plastic	31024	1	1	1	1	1	1	1	1	1	1	1
21	Grooved ball bearing	St	86001	1	1	1	1	1	1	1	1	1	1	1
22	Threaded plug	Plastic	88232	1	1	1	1	1	1	1	1	1	1	1
23	Sleeve bearing bushing	MB1415DU	34870	2	2	2	2	2	2	2	2	2	2	2
24	Compact seal	AU	80814	1	1	1	1	1	1	1	1	1	1	1
25	Stripper	Simritan	81744	1	1	1	1	1	1	1	1	1	1	1
26	Gasket	NBR	81745	1	1	1	1	1	1	1	1	1	1	1
27	Gasket	Klingerit	81235	1	1	1	1	1	1	1	1	1	1	1
28	O-ring	NBR	80816	1	1	1	1	1	1	1	1	1	1	1
29	O-ring	NBR	80815	1	1	1	1	1	1	1	1	1	1	1
30	Scale	Plastic	87412	1	1	1	1	1	1	1	1	1	1	1
31	Oil gauge	Plastic	88221	1	1	1	1	1	1	1	1	1	1	1
32	Screw	A2	83606	4	4	4	4	4	4	4	4	4	4	4
33	Washer	Copper	84191	4	4	4	4	4	4	4	4	4	4	4
34	Screw	A2	83268	6	6	6	6	6	6	6	6	6	6	6
35	Screw	A2	83619	4	4	4	4	4	-	-	-	4	4	4
36	Cup spring	1.4310	84179	1	1	1	1	1	1	1	1	1	1	1
37	Hex. head screw	A2	83157	2	2	2	2	2	2	2	2	2	2	2
38	Washer	A2	84189	2	2	2	2	2	2	2	2	2	2	2
39	Diaphragm insert	PPO	29462	1	1	1	1	1	-	-	-	-	-	-

* incl. sealing pos. 26

Drive Memdos E / DX160 ... 380

Diaphragm Metering Pump MEMDOS E / DX



Item	Description	Material	Part No.	E / DX160	E / DX200	E / DX260	E / DX300	E / DX380
1	Gearbox	GKAlSi12	34929	1	1	1	1	1
2	Housing cover E*	GKAlSi12	34930	1	1	1	1	1
3	Diaphragm flange, diaphr. d120	GKAlSi12	34955	1	1	1	—	—
	Diaphragm flange, diaphr. d150	GKAlSi12	34954	—	—	—	1	1
4	Eccentric shaft, 10mm stroke	9SMnPb28K	34938	1	1	1	1	1
5	Bearing flange	AlCuMg	34958	1	1	1	1	1
6	Worm wheel i=20	Bronze	34989	1	—	—	—	—
	Worm wheel i=15	Bronze	34990	—	1	—	1	—
	Worm wheel i=12	Bronze	35043	—	—	1	—	1
7	Square key	St	83488	1	1	1	1	1
8	Grooved ball bearing	St	86003	1	1	1	1	1
9	Grooved ball bearing	St	86118	1	1	1	1	1
10	Backing bearing	St	86139	1	1	1	1	1
11	Locking washer	Spring steel	84210	1	1	1	1	1
12	Adjusting eccentric, 10mm stroke	IXEF	34920	1	1	1	1	1
13	Diaphragm d120	EPDM/PTFE	81467	1	1	1	—	—
	Diaphragm d150	EPDM/PTFE	81468	—	—	—	1	1
14	Leakage pipe assembly d21	PP/Viton	25193	1	1	1	1	1
15	Diaphragm rod M12	1.4305	34986	1	1	1	1	1
16	Return spring	Spring steel	34996	1	1	1	1	1
17	Adjusting knob	Plastic	34923	1	1	1	1	1
18	Knurled knob	Plastic/St	35142	1	1	1	1	1
19	Pinion shaft	45S20K	34994	1	1	1	1	1
20	Worm i=20	9SMnPb28K	31557	1	—	—	—	—
	Worm i=15	9SMnPb28K	34991	—	1	—	1	—
	Worm i=12	9SMnPb28K	35044	—	—	1	—	1
21	Grooved ball bearing	St	86001	1	1	1	1	1
22	Grooved ball bearing	St	86140	1	1	1	1	1
23	Square key	St	83675	1	1	1	1	1
24	Plate spring	1.4310	84179	1	1	1	1	1
25	Nut M10x1	St	35173	1	1	1	1	1
26	Threaded plug	Plastic	88232	1	1	1	1	1
27	Sleeve bearing bushing	MB1615DU	34997	2	2	2	2	2
28	Compact seal	AU	80820	1	1	1	1	1
29	Stripper	Simritan	81751	1	1	1	1	1
30	Gasket	NBR	81746	1	1	1	1	1
31	Gasket	AF	81752	1	1	1	1	1
32	O-ring	NBR	80598	1	1	1	1	1
33	O-ring	NBR	80815	1	1	1	1	1
34	Scale	Plastic	87584	1	1	1	1	1
35	Oil gauge	Plastic	88228	1	1	1	1	1
36	Screw	A2	83668	10	10	10	10	10
37	Screw	A2	83664	4	4	4	4	4
38	Screw	A2	83668	4	4	4	4	4
39	Washer	A2	84160	4	4	4	4	4
40	Washer	Copper	84206	4	4	4	4	4
41	Retaining ring	Spring steel	84003	1	1	1	1	1
42	Retaining ring	Spring steel	84004	1	1	1	1	1

* incl. sealing pos. 30

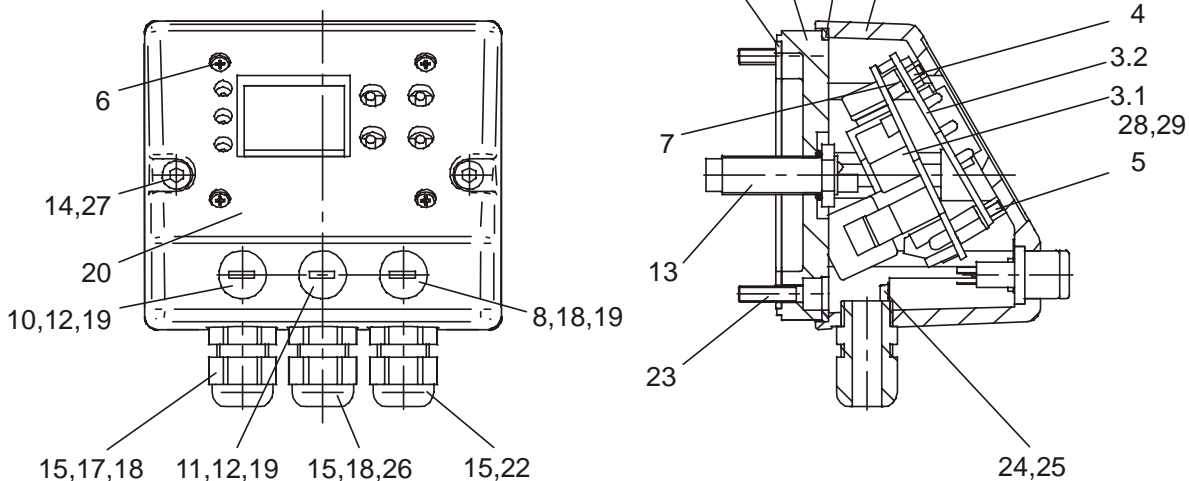
Control unit

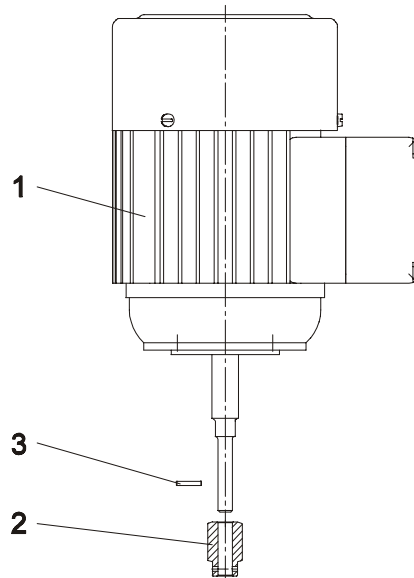
Item	Description	Material	Qty	Part No.
1	Electronic housing assembly	GKAlSi12/PPO	1	34852
2	Gear cover Memdos DX 4...156*	GKAlSi12	1	34856
	Gear cover Memdos DX 160...380*	GKAlSi12	1	34931
3.1	Electronics 230 V		1	79106
3.2	Electronic indicating instruments		1	79107
4	Spacing bolt M3x5	Brass nickel-pl.	4	83848
5	Spacing bolt M3x10	Plastic	2	83849
6	Oval flat-head screw	A2	4	83847
7	Spacing bolt M3x6	Plastic	2	83854
8	Coaxial Cinch socket	Misc.	1	35458
	3 - pin socket CSA/UL	Plastic	1	35994
10	Jack socket	Plastic	1	35996
11	Stereo jack socket	Plastic	1	35995
12	Dummy plug	Ms58	2	29115
13	Approximation initiator	Misc.	1	79050
14	Screw	A2	2	83035
15	Union PG9 (up to 11. 2000)	PA black	3	78904
	Union M16x1,5 (from 11. 2000)	PA black	3	78237
16	Cover seal DX 4 ... 156	NBR	1	81745
	Cover seal DX 160 ... 380	NBR	1	81746
17	Mains cable	Misc.	1	78997
18	Insulating nozzle	A2	6	78916
19	Dummy plug	PS black	3	78788
20	Display film		1	34928
21	Foam rubber	EPDM	0.4m	97183
22	Warning alarm cable	Misc.	1	78800
23	Screw DX 4...156	A2	6	83268
	Screw DX 160...380	A2	6	83668
24	Oval-head screw	A2	1	83070
25	Toothed washer	Spring st. tinned	1	84133
26	Motor connecting cable	Misc.	1	79051
27	Washer	Copper	2	84191
28	Screw	St. tinned	1	83031
29	Toothed washer	A2	1	84213

* incl. sealing pos. 16

Connecting cable for external control part no. 25096

Connecting cable for remote switchoff part no. 35119

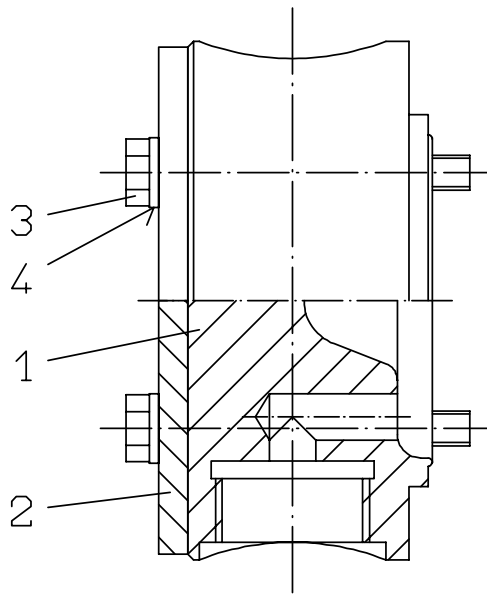
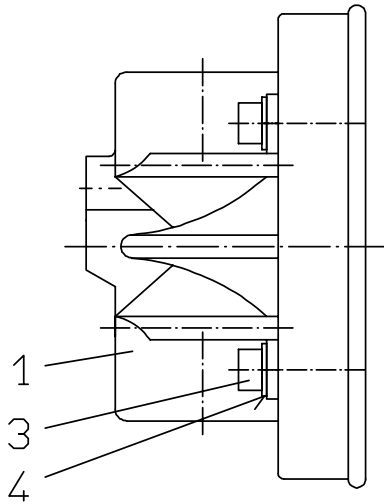


Motor


Pump type	Motor assembly		ratio	Motor Gear	Worm shaft	Adapter sleeve
	Electrical data	Part.No.		Pos. 1 Part. No.	Pos. 2 Part. No.	Pos. 3 Part. No.
E4	Three-phase 400/230V, 50Hz, 0,05kW Bg63, IP55, ISO-F	27522	55:1	77700	11380	83414
E8		31431	30:1		29551	
E15/50		27697	15:1		11376	
E26		35237	12:1	79076	35185	
E25		34884	10:1	77700	34885	
E4*	400/230V, 50Hz, 0,25kW Bg63, IP55, ISO-F	32827	55:1	78959	11380	
E8*		32826	30:1		29551	
E15*/50*/110		32531	15:1		11376	
E26*/E76/156		35238	12:1	79077	35185	
E25*/75/150		34913	10:1	78959	34885	
E/DX4	A.C. 230V, 50Hz, 0,05kW Bg63, IP55, ISO-F S601	35082	55:1	79056	11380	
E/DX8		35083	30:1		29551	
E/DX15		35084	15:1		11376	
E/DX26		35239	12:1	79078	35185	
E/DX25		34914	10:1	79056	34885	
E/DX50/110	230V, 50Hz, 0,12kW Bg63, IP55, ISO-F S601	34917	15:1	78689	11376	
E/DX76/156		35240	12:1	79079	35185	
E/DX75/150		34915	10:1	78689	34885	
E160...380	Three-phase 400/230V, 50Hz, 0,37kW Bg71, IP55, ISO-F	79048	Part of gear	79048	Part of gear	—
E/DX160...380	A.C. 230V, 50Hz, 0,25kW Bg71, IP55, ISO-F, S601	79057		79057		

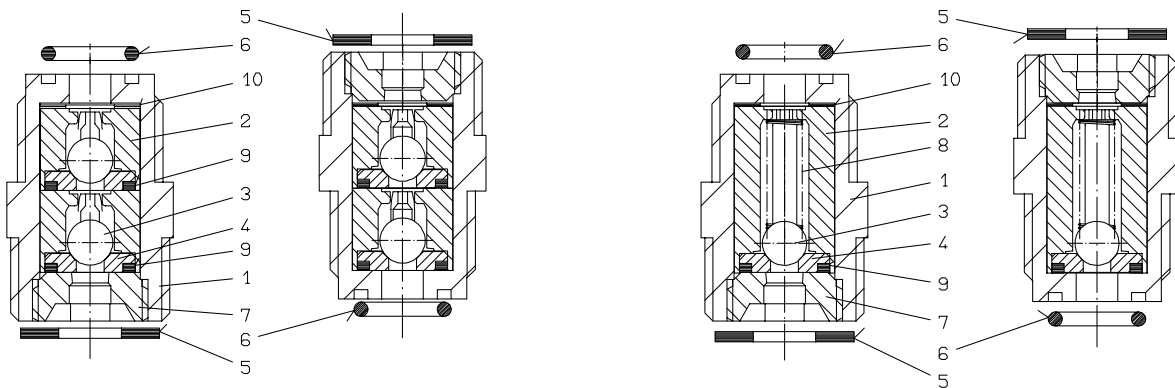
* with frequency converter operation

Head Assembly



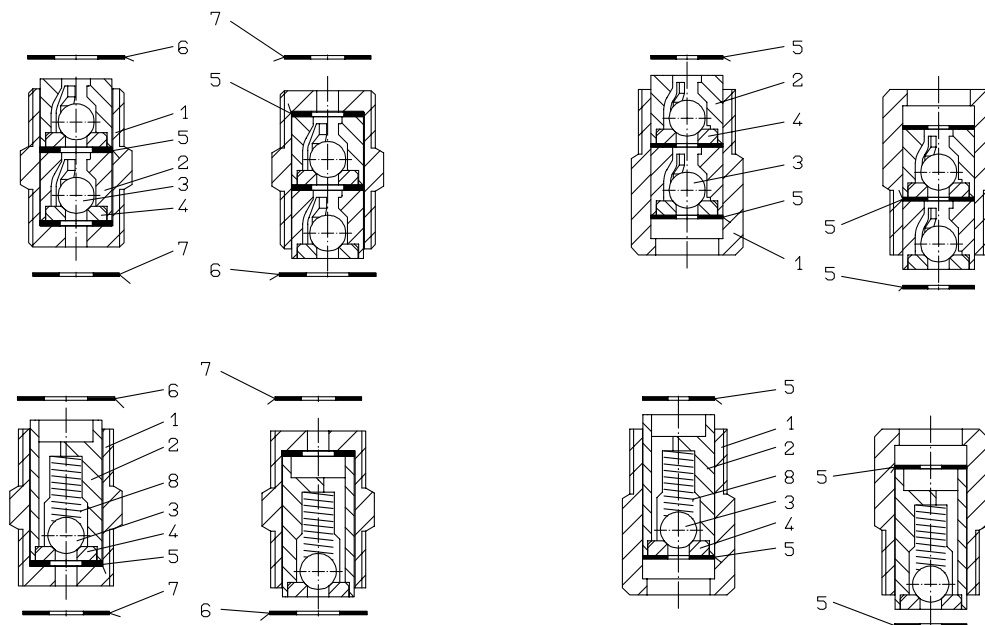
Item	Description	Qty	Head Material				
			PVC	PVDF	PP	1.4571	
1	Diaphragm housing	1	E / DX 4...26	22399	28689	—	21613
			E / DX 50 ... 76	18113	—	—	23912
			E / DX 110 ... 156	—	—	34966	32902
			E / DX 160...260	—	—	22046	22394
			E / DX 300 and 380	—	—	34950	34951
2	Pressure plate	1	E / DX 110 ... 156	—	—	32903	—
			E / DX 160...260	—	—	18453	—
			E / DX 300 and 380	—	—	34995	—
3	Screws	4	E / DX 4...26	83794	83794	—	83482
			E / DX 50 ... 76	83644	—	—	83644
			E / DX 110 ... 156	—	—	83495	83685
			E / DX 160...260	—	—	83495	83685
			E / DX 300 and 380	—	—	83495	83542
4	Washers	4	E / DX 4...26	84143	84143	—	84143
			E / DX 50 ... 76	84160	—	—	84160
			E / DX 110 ... 156	—	—	84131	84131
			E / DX 160 ... 380	—	—	84174	84174

DN 4 valves for E / DX 4 ... 26



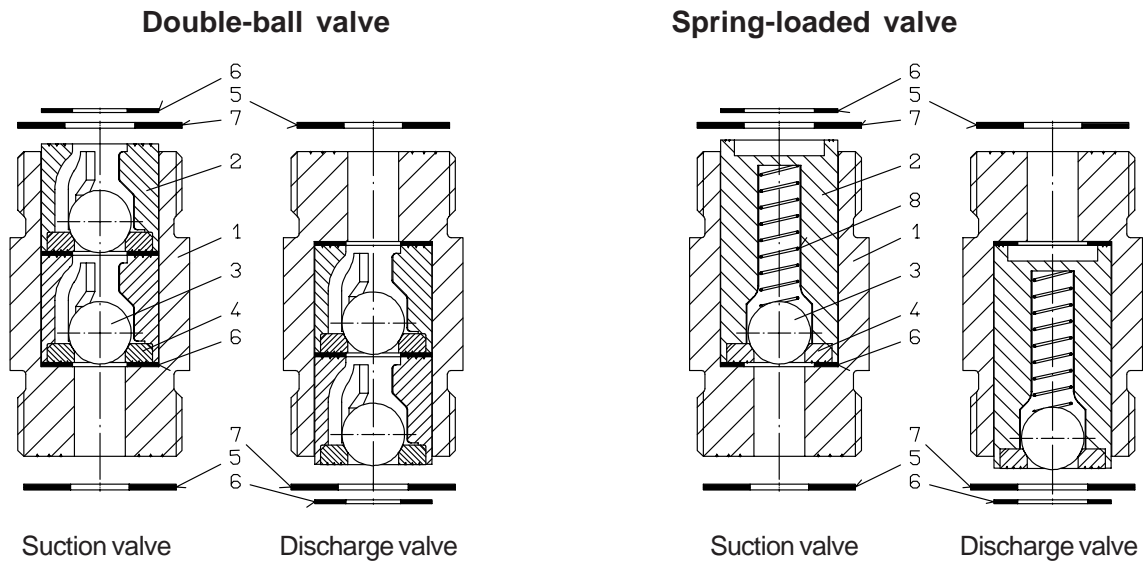
Item	Description	Material	Part No.	Double-ball valve			Spring-loaded valve		
				PVC	PVDF	1.4571	PVC	PVDF	1.4571
1	Valve body	PVC	20845	1	—	—	1	—	—
		PVDF	28108	—	1	—	—	1	—
		1.4571	19289	—	—	1	—	—	1
2	Ball guide	PVC	19294	2	—	—	—	—	—
		PVDF	28109	—	2	—	—	—	—
		1.4571	19293	—	—	2	—	—	—
		PVC	24066	—	—	—	1	—	—
		PVDF	29386	—	—	—	—	1	—
		1.4571	24067	—	—	—	—	—	1
3	Valve ball	Glas	29778	2	—	—	1	—	—
		PTFE	25247	—	2	—	—	1	—
		1.4401	18044	—	—	2	—	—	1
4	Valve seat	PVDF	81460	2	2	2	1	1	1
5	Gasket	Viton	81371	1	—	—	1	—	—
		PTFE	81580	—	1	—	—	1	—
		PTFE	81677	—	—	1	—	—	1
6	O-ring	Viton	81384	1	—	—	1	—	—
		PTFE	80617	—	1	1	—	1	1
7	Plug	PVC	19299	1	—	—	1	—	—
		PVDF	28110	—	1	—	—	1	—
		1.4571	24031	—	—	1	—	—	1
8	Valve spring	Hastelloy	25081	—	—	—	1	1	1
9	O-ring	Viton	80013	2	—	—	1	—	—
		PTFE	80627	—	2	2	—	1	1
10	Gasket	Viton	81526	1	—	—	1	—	—
		PTFE	81585	—	1	1	—	1	1
Suction valve assembly				20890	28111	24029	25087	29385	25089
Discharge valve assembly				20891	28112	24030	25088	29384	25090

DN 6 valves for E / DX 50 ... 76



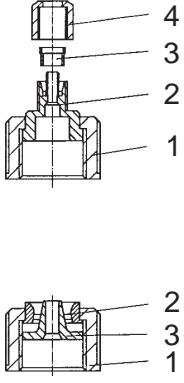
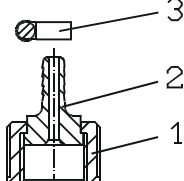
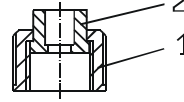
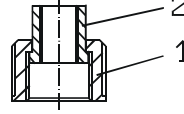
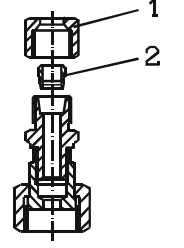
Item	Description	Material	Part No.	Double-ball valve						Spring-loaded valve					
				Suction valve			Discharge valve			Suction valve			Discharge valve		
				PVC	1.4571		PVC	1.4571		PVC	1.4571		PVC	1.4571	
				Seal material: H=Hypalon, V=Viton, AF=asbestos-free											
				H	V	AF	H	V	AF	H	V	AF	H	V	AF
18187	18185	26967	18188	18186	26968	25161	25162	28775	27516	27517	28776				
1	Valve housing	PVC	18189	1	1	—	1	1	—	1	1	—	1	1	—
		1.4571	19601	—	—	1	—	—	1	—	—	1	—	—	1
2	Ball guide	PVC	82405	2	2	—	2	2	—	—	—	—	—	—	—
		1.4581	82102	—	—	2	—	—	2	—	—	—	—	—	—
		PVC	23412	—	—	—	—	—	—	1	1	—	1	1	—
		1.4571	25169	—	—	—	—	—	—	—	—	1	—	—	1
3	Valve ball	Ceramic	10017	2	2	—	2	2	—	1	1	—	1	1	—
		1.4401	10136	—	—	2	—	—	2	—	—	1	—	—	1
4	Valve seat	PVC	82406	2	2	—	2	2	—	1	1	—	1	1	—
		1.4571	82103	—	—	2	—	—	2	—	—	1	—	—	1
5	Gasket	Hypalon	81037	2	—	—	2	—	—	1	—	—	1	—	—
		Viton	81138	—	2	—	—	2	—	—	1	—	—	1	—
		AF	81625	—	—	3	—	—	3	—	—	2	—	—	2
6	Gasket	Hypalon	81033	1	—	—	1	—	—	1	—	—	1	—	—
		Viton	81285	—	1	—	—	1	—	—	1	—	—	1	—
		AF	81626	—	—	1	—	—	1	—	—	1	—	—	1
7	Gasket	Hypalon	81041	1	—	—	1	—	—	1	—	—	1	—	—
		Viton	81141	—	1	—	—	1	—	—	1	—	—	1	—
8	Valve spring	Hastelloy	25082	—	—	—	—	—	—	1	1	1	1	1	1

DN 10 valves E / DX 110...380

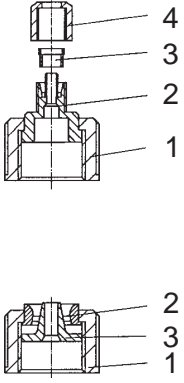
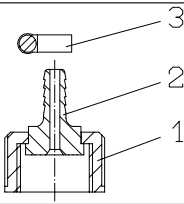
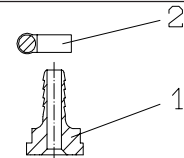
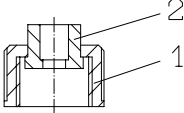
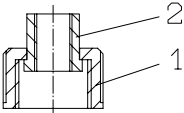
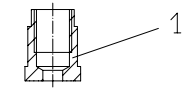
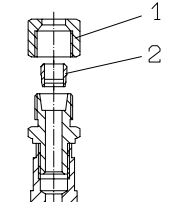


Item	Description	Material	Part No.	Double-ball valve						Spring-loaded valve					
				Suction			Discharge			Suction			Discharge		
				PP	1.4571	PP	1.4571	PP	1.4571	PP	1.4571	PP	1.4571		
				Sealing material: H=Hypalon, V=Viton, AF=asbestos free											
H	V	AF	H	V	AF	H	V	AF	H	V	AF				
26841	26842	29694	27356	27357	29695	26845	25707	29696	27353	27354	29697				
1	Valve housing	PP	34665	1	1	—	1	1	—	1	1	—	1	1	—
		1.4571	32449	—	—	1	—	—	1	—	—	1	—	—	1
2	Ball guide	PP	34142	2	2	—	2	2	—	—	—	—	—	—	—
		1.4581	82112	—	—	2	—	—	2	—	—	—	—	—	—
		PP	22882	—	—	—	—	—	—	1	1	—	1	1	—
		1.4581	22881	—	—	—	—	—	—	—	1	—	—	1	
3	Valve ball d 16	Glass	82457	2	2	—	2	2	—	1	1	—	1	1	—
		1.4401	82114	—	—	2	—	—	2	—	—	1	—	—	1
4	Valve seat	PP	82456	2	2	—	2	2	—	1	1	—	1	1	—
		1.4571	82113	—	—	2	—	—	2	—	—	1	—	—	1
5	Gasket	Hypalon	81035	1	—	—	1	—	—	1	—	—	1	—	—
		Viton	81198	—	1	—	—	1	—	—	1	—	—	1	—
		AF	81629	—	—	1	—	—	1	—	—	1	—	—	1
6	Gasket	Hypalon	81238	2	—	—	2	—	—	1	—	—	1	—	—
		Viton	81276	—	2	—	—	2	—	—	1	—	—	1	—
		AF	81627	—	—	3	—	—	3	—	—	2	—	—	2
7	Gasket	Hypalon	81239	1	—	—	1	—	—	1	—	—	1	—	—
		Viton	81277	—	1	—	—	1	—	—	1	—	—	1	—
8	Valve spring	Hastelloy	32577	—	—	—	—	—	—	1	1	1	1	1	1

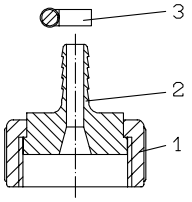
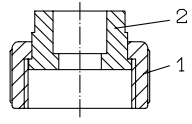
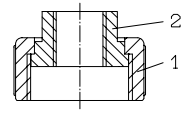
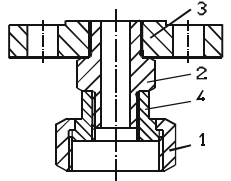
Connections for Memdos E / DX 4... 26

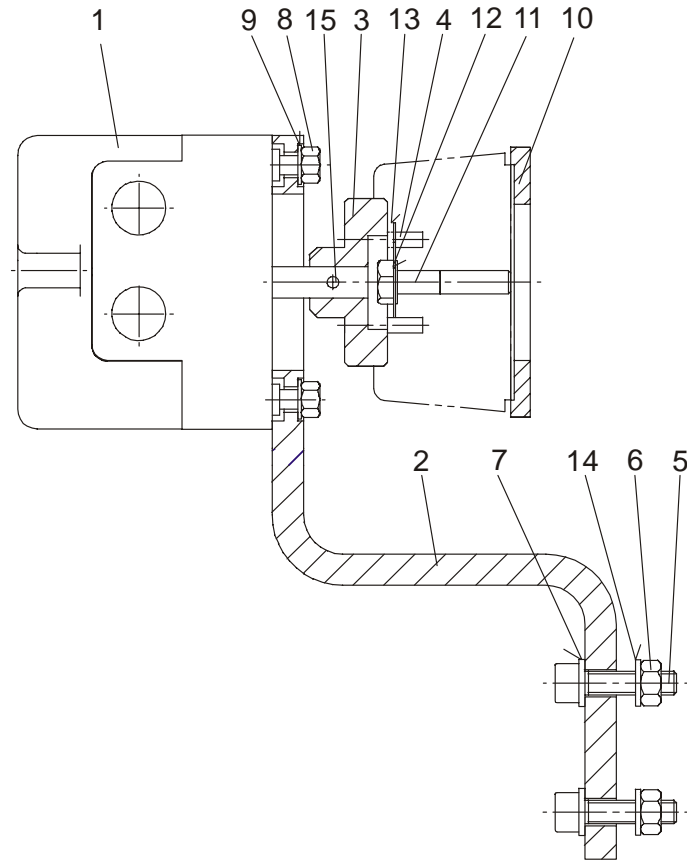
	Conn. type	Material	Size	Conn. Assbly Part No.	Item	Spare parts	
						Description	Part No.
	A	PVC	4/6	20975	1	Union nut	88116
					2	Connection	88012
					3	Clamping ring	88003
					4	Union nut	88004
			6/8	25176	1	Union nut	82087
					2	Connection	31370
		6/9	34925	4	1	Union nut	88116
					2	Connection	88199
		PVDf	6/12	32980	1	Union nut	88116
					2	Connection	32572
					3	Clamping ring	32571
			4/6	29387	1	Union nut	28120
					2	Connection	88028
					3	Clamping ring	88003
4	Union nut				88004		
6/12	33161				1	Union nut	88117
		2	Connection	32572			
		3	Clamping ring	33571			
	B	PVC	6/12	23092	1	Union nut	82087
					2	Tubing conn.	18042
					3	Hose clamp	82398
		1.4571	6/12	23093	1	Union nut	19303
					2	Tubing conn.	18045
					3	Hose clamp	82398
	C	PVC	10	23087	1	Union nut	82087
					2	Cemented conn.	82014
		12	23089	1	Union nut	82087	
				2	Cemented conn.	82013	
	D	PVC	G 1/4	23088	1	Union nut	82087
					2	Threaded conn.	82185
		PVDf	G 1/4	29179	1	Union nut	28120
					2	Threaded conn.	28292
		1.4571	G 1/4	22999	1	Union nut	19303
					2	Threaded conn.	82186
	E	1.4571	10	23090	1	Union nut	88038
					2	Cutting ring	88039
		12	23091	1	Union nut	88040	
				2	Cutting ring	88041	

Connections for Memdos E / DX 50...76

	Conn. type	Material	Size	Conn. Assbly Part No.	Item	Spare parts			
						Description	Part No.		
	A	PVC	6/8	28159	1	Union nut	82156		
					2	Connection	31370		
					4	Union nut	19397		
			6/9	34926	1	Union nut	82156		
					2	Connection	88199		
					3	Clamping ring	34762		
		6/12	34922	1	Union nut	82156			
				2	Connection	32572			
				3	Clamping ring	32571			
			B	PVC	6/12	23342	1	Union nut	82156
							2	Tubing connection	18042
							3	Hose clamp	82398
	B1	1.4571	6/12	23426	1	Hose liner	18268		
					2	Hose clamp	82398		
	C	PVC	10	25167	1	Union nut	82156		
					2	Cemented conn.	82014		
			12	27518	1	Union nut	82156		
					2	Cemented conn.	82013		
			16	25625	1	Union nut	23685		
					2	Flange bushing	22508		
	D	PVC	G 1/4	25165	1	Union nut	82156		
					2	Threaded conn.	82185		
	D1	1.4571	G 1/4	82105	1	Flange bushing	82105		
	E1	1.4571	8	27519	1	Union nut	88036		
					2	Cutting ring	88037		

Connections for E / DX 110...380

	Conn. type	Material	Size	conn. Assbly. Part No.	Item	Spare parts		
						Description	Part No.	
	B	PVC	ø 16/26	25936	1	Union nut	82213	
					2	Tubing connection	25934	
					3	Hose clamp	82413	
		PP	ø 16/26	35649	1	Union nut	34678	
					2	Tubing connection	35648	
					3	Hose clamp	82413	
		1.4571	ø 16/26	25935	1	Union nut	29518	
					2	Tubing connection	25933	
					3	Hose clamp	82413	
	C	PVC	ø 16	27672	1	Union nut	82213	
					2	Cemented connection	27846	
			ø 20	25937	1	Union nut	82213	
					2	Cemented connection	25931	
			ø 25	33318	1	Union nut	82213	
					2	Cemented connection	82952	
		PP	ø 16	27664	1	Union nut	27661	
					2	Welded connection	35737	
			ø 20	35490	1	Union nut	27661	
					2	Welded connection	35489	
			ø 25	33319	1	Union nut	27661	
					2	Welded connection	88140	
	D	PVC	G 1/2	25943	1	Union nut	82213	
					2	Threaded connection	25940	
			G 3/8	25930	1	Union nut	82213	
					2	Threaded connection	21900	
			PP	G 1/2	34689	1	Union nut	34678
						2	Threaded connection	34677
		G 3/8	33797	1	Union nut	27661		
				2	Threaded connection	33789		
		1.4571	G 1/2	25944	1	Union nut	29518	
					2	Threaded connection	25938	
			G 3/8	27037	1	Union nut	29518	
					2	Threaded connection	27038	
			G 3/4	27689	1	Union nut	29518	
					2	Threaded connection	27690	
	F	PVC	DN 15	25956	1	Union nut	82213	
					2	Flanged connection	32178	
					3	Flange	14264	
					4	Threaded connection	25938	
		1.4571	DN 15	25957	1	Union nut	29518	
					2	Flanged connection	21309	
					3	Flange	14200	
					4	Threaded connection	25938	

Servomotor


Item	Description	Material	Part. No.	E/DX4...156	E/DX160...380
1	ATE electrical servomotor	misc.	79073	1	-
			79080	-	1
2	Mounting brackets	Al	35204	1	-
		St37	35233	-	1
3	Coupling	1.4571	35205	1	1
4	Straight pin	A4	83866	2	2
5	Socket head cap screw	A2	83619	2	-
			83680	-	2
6	Hex nut M6	A2	83395	2	2
7	Washer d6.4	A4	84203	2	2
8	Hex nut M5	A2	83616	2	2
9	Washer d5.3	A4	84202	2	2
10	Sliding washer	PE	35209	1	-
			35234	-	1
11	Hex bolt	A2	83630	1	1
12	Spring washer	1.4310	84179	1	1
13	Locking plate	St galv.	84172	1	1
14	Toothed washer	A2	84145	2	2
15	Locking sleeve	1.4310	83867	1	1