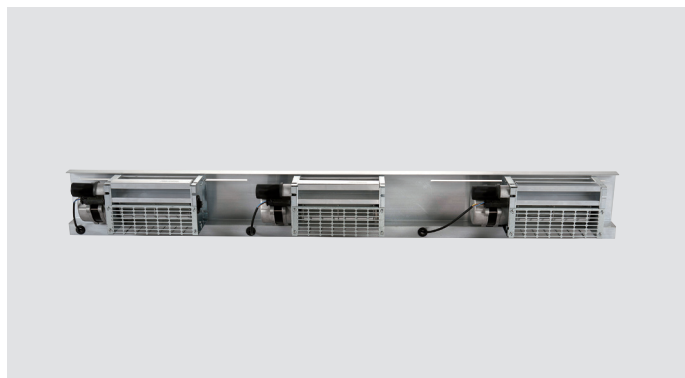
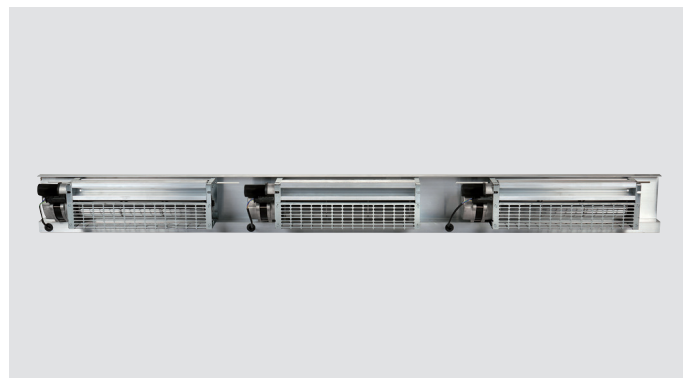


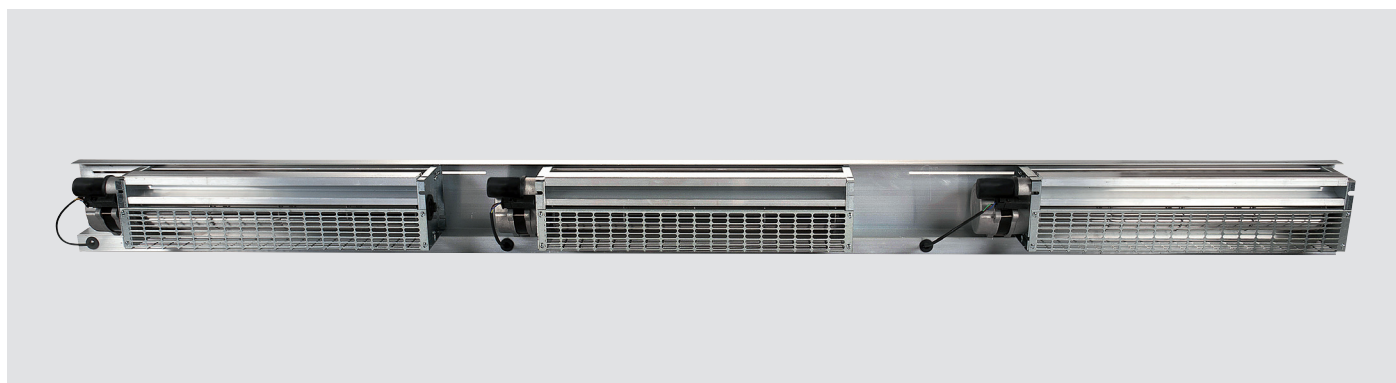
BARRA 1200-1800-3600



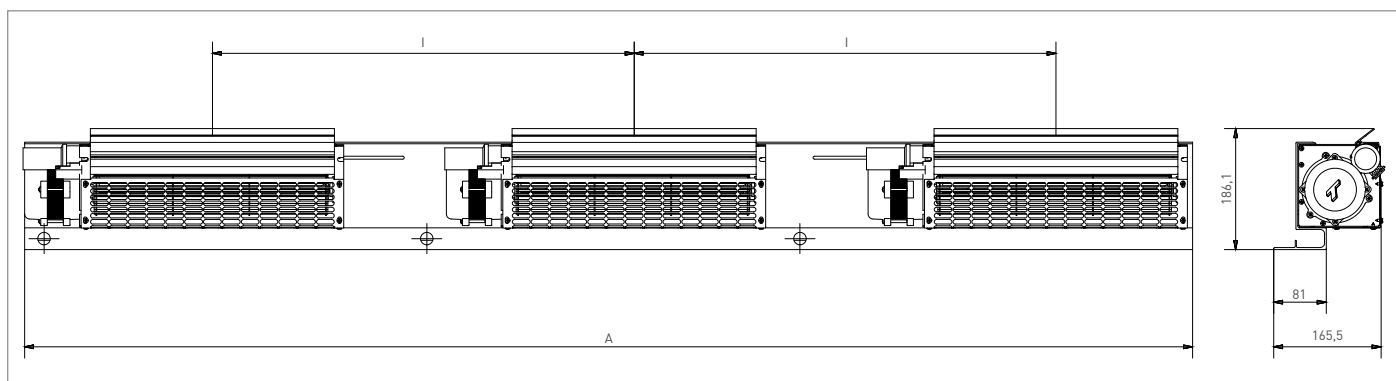
BARRA 1200



BARRA 1800



BARRA 3600



SUGGESTED APPLICATION FORM / FORME APPLICATIVE SUGGERITE

MODEL MODELLO	A (MM)	I MIN/MAX	HYPOTHETICAL TRANSFO POWER POTENZA TRAFI IPOTIZZATA	AIR FLOW PORTATA (M ³ /H)	MODEL FANS MOD. VENTILATORI
BAR1200	1400	470-585	FROM/DA 1250 AT/A 1600 KVA	1380	3 X TG180
BAR1800	1800	470-700	FROM/DA 1600 AT/A 2000 KVA	2400	3 X TG360
BAR3600	2300	670-770	FROM/DA 2000 KVA AND MORE/E OLTRE	3000	3 X TG500

Special versions / Versioni speciali:
On demand / Su richiesta