

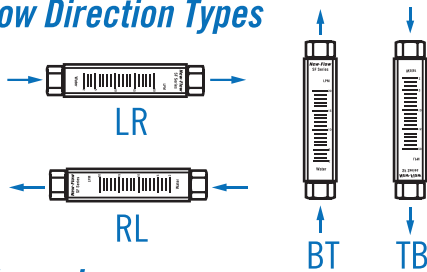
ACRYLIC PLASTIC FLOW METER – Spring Type CE PG

SF100 with alarm switch type
without alarm switch type

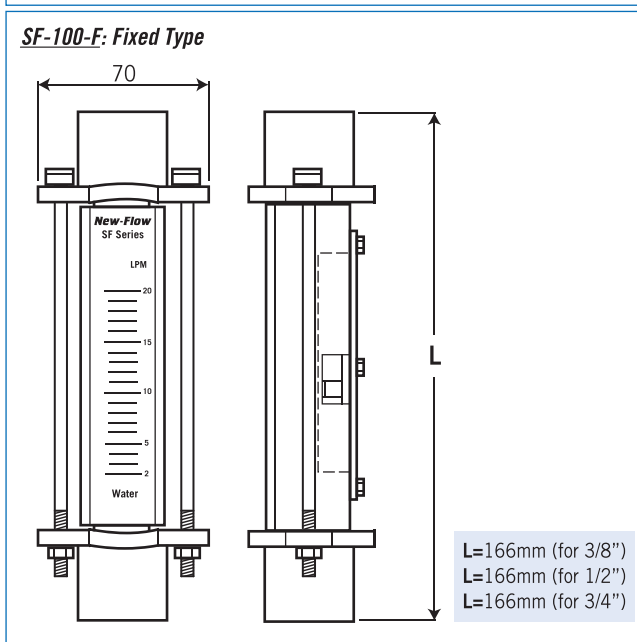
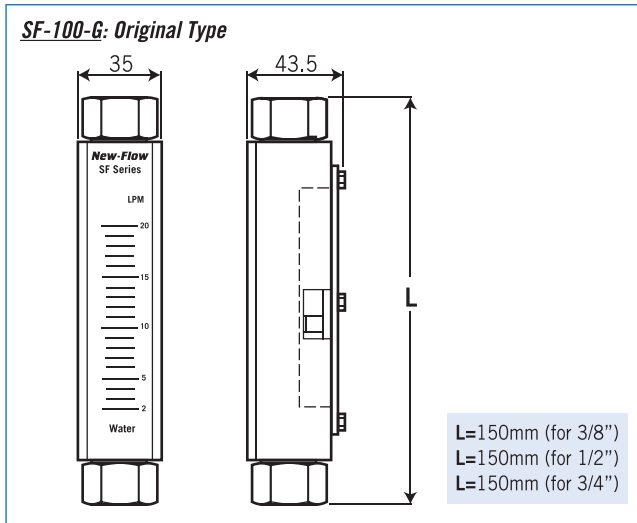
Technical Data

Service: Liquid, Oil
Wetted Parts Material: Body: Acrylic plastic; O-Ring: Viton;
 Float: magnet cover with PPS plastic; Connection: SS316;
 Spring: SS316
Connection Size: 3/8", 1/2", 3/4" NPT female available
Mounting: Vertical and Horizontal available, various flow directions
Temperature & Pressure Limits: 150 psig (10bar) @100°F(38°C)
Temperature Limit: -24°C~+54°C
Accuracy: ±5% full scale
Alarm Switch: One or Two setting points, form A N.O. type bistable reed switch
Switch Rating: AC 125V 0.5A / DC 100V 10W / Max. DC 250V<40mA
Weight: 0.45~0.5 kg
 (Contact setting point should be within 10% to 80% of FS)

Flow Direction Types



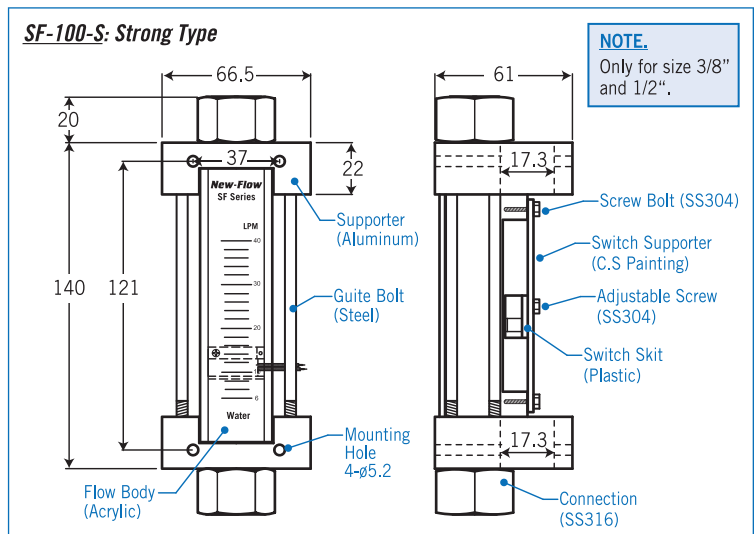
Dimensions-mm



Original Type

Strong Type

Fixed Type



Ordering Information

SF100	Code	Type				
	G	Original Type	S	Strong Type	F	Fixed Type
	Code	Flow Range(LPM-Litter per Minute)				
	A	0.6~4 LPM	B	1.6~10 LPM	C	2~20 LPM
	D	6~40 LPM	E	3~30 LPM	F	5~50 LPM
	G	6~60 LPM				
	Code	Alarm Switch				
	1R	One setting point	2R	Two setting point		
	O	Without alarm				
	Code	Process Connection (Female)				
		(A) 3/8"NPT (B) 1/2"NPT				
		(C) 3/4"NPT				
	Code	Flow Direction				
		(BT) Bottom to Top (TB) Top to Bottom				
		(RL) Right to Left (LR) Left to Right				
SF100						Complete Ordering Code