

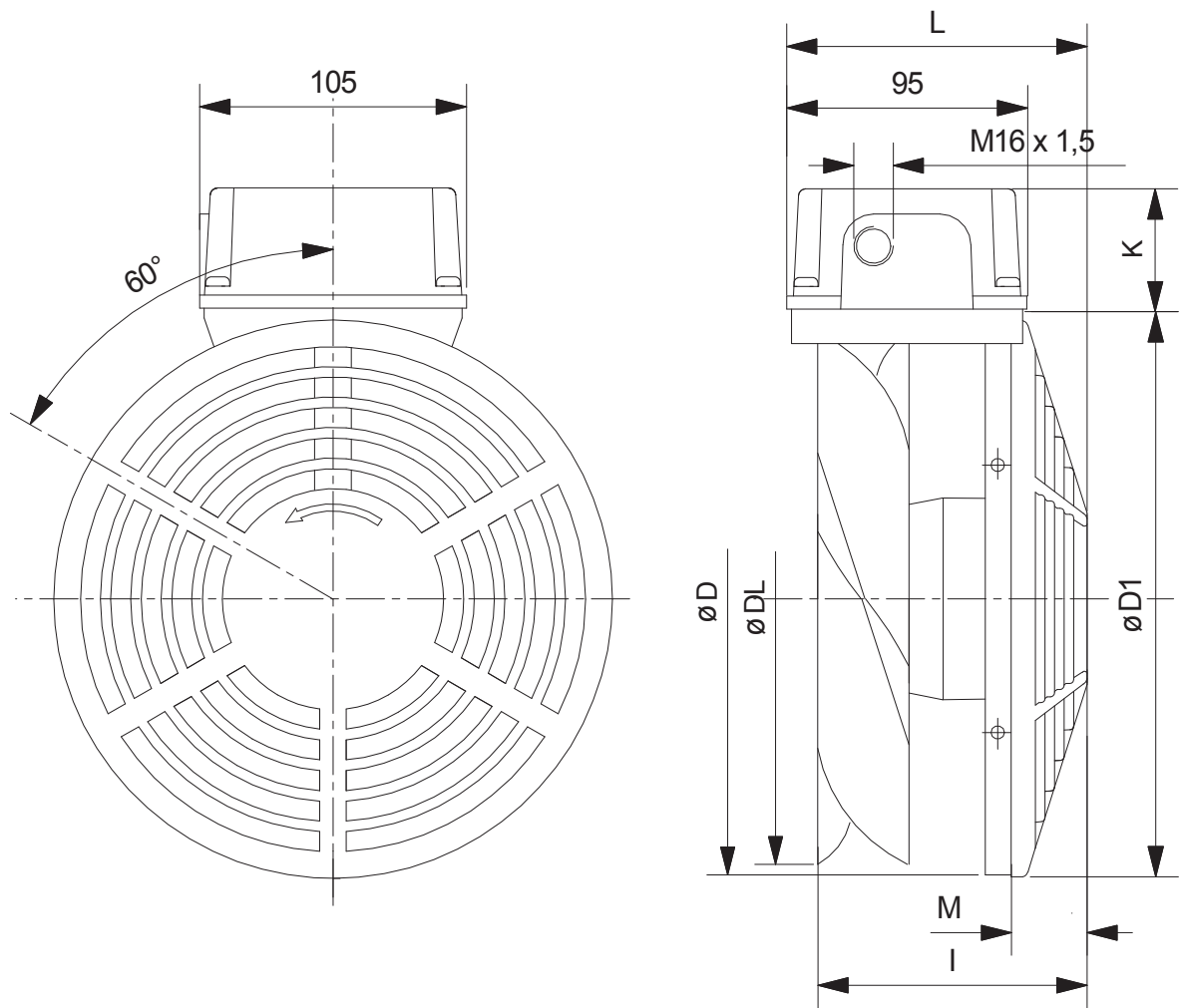
# FORCED AIR VENTILATION AGGREGATES IL

for motor sizes Bg 63 to Bg 400.

Optimum cooling for electric motors with variable RPM using proprietary registered design.



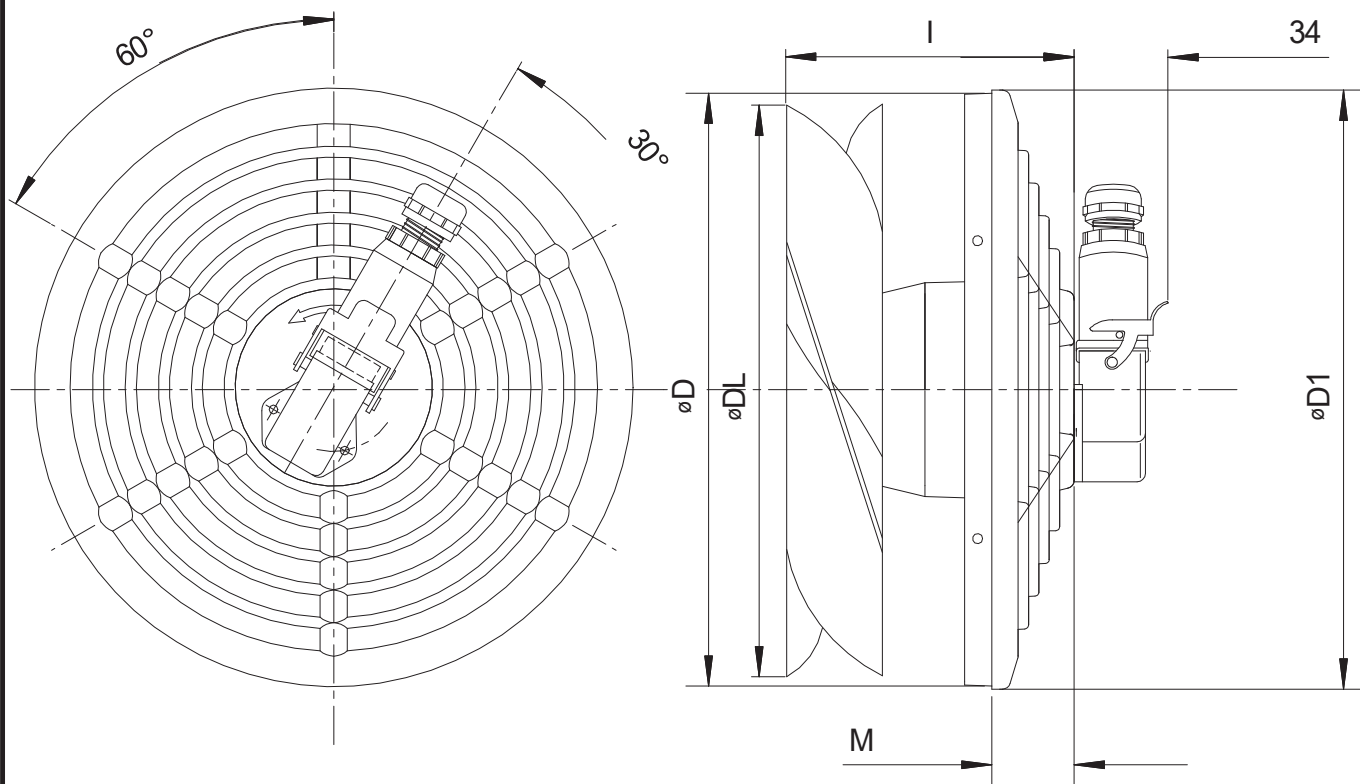
- Proven sheet steel construction (Reg. #: 298 24 101.3)
- Special aluminum alloy AL 230 provides superior resistance to salt water spray corrosion,
- paintable galvanized steel construction.
- High volume air delivery by use of superior aerodynamic design.
- High degree of protection IP66 for all variants.
- cURus certified
- Excellent shock and vibration resistance - solid construction.
- Compact overall size is achieved by mounting motor inside the blower cage.
- Conform to EMC-Standard
- Number of different model variations minimized by use of multiple voltage motors and IP66
- protection for all models.
- Variable modular construction allows use of many different kinds of motors, with many different
- accessories such as encoders, brakes, etc. Unverlierbare Klemmkastenschrauben.
- Captive frame bolts
- Clean, appealing technical design



- Motor / moteur 3~ 50/60Hz

Bg size HA Tamaño mod.	Sachnummer Article no. Numéro d'article Código de pieza Numero codice	Sachnummer mit Schrauben Article no. with screws Numéro d'article avec visser Código de pieza con tornillos Numero codice con viti	Fixe Maße Fixed dimensions Dimensions fixes Medidas fijas Dimensioni fisse							
			D	DL	D 1	I	L	K	M	m (kg)
63	15.51.0123	15.50.0291	121	118	124	95	107	53	20	1,4
71	15.51.0124	15.50.0292	136	132	139	95	107	53	20	1,5
80	15.51.0125	15.50.0293	154	150	157	95	107	53	20	1,6
90	15.51.0241	15.50.0294	174	169	177	105	117	53	30	1,9
100	15.51.0240	15.50.0295	192	187	195	105	117	53	30	2,0
112	15.51.0239	15.50.0296	216	210	219	105	117	53	30	2,1
132	15.51.0141	15.50.0297	255	250	258	127	127	54	40	3,0
160	15.51.0143	15.50.0298	307	300	311	152	127	54	40	4,2

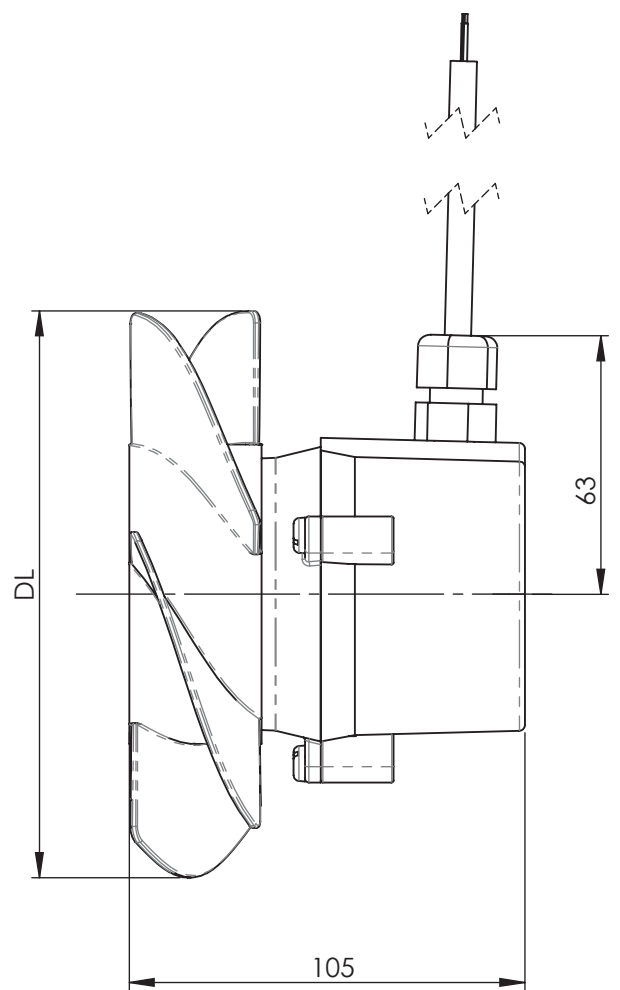
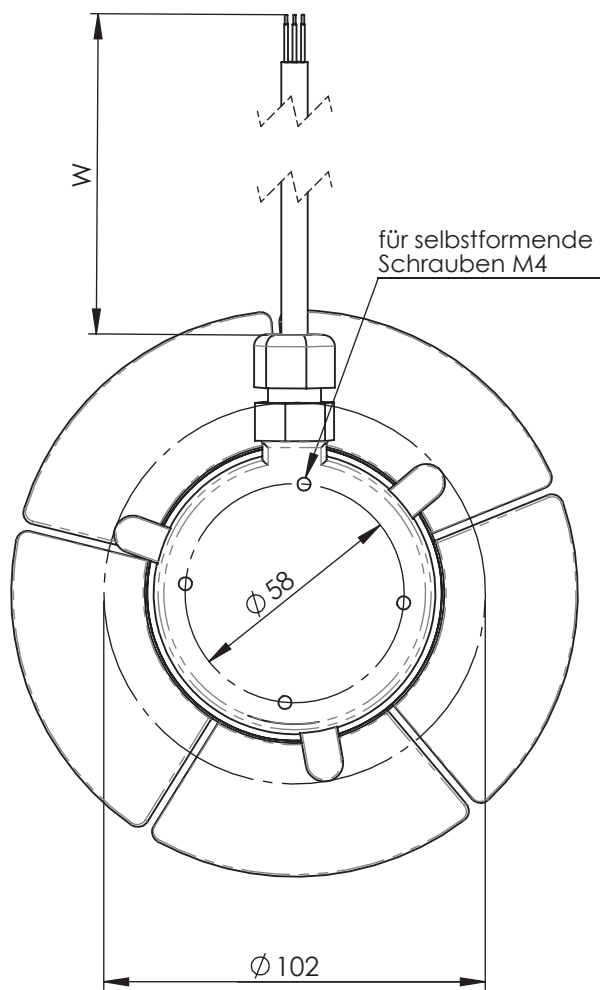
d	Artikelnr. Fließfert.	31.08.11	An	<b>wistro</b>	<b>24.39.0067</b> Flansch Bg63 IL - Bg160 IL zweipolig
c	Artikelnr. Fließfert.	07.12.09	Mar		
b	Volumenst. entfernt	09.11.09	Mar		
Zust.	Änderung	Datum	Name		



- Motor / moteur 3~ 50/60Hz

Bg size HA Tamaño mod.	Sachnummer Article no. Numéro d'article Código de pieza Numero codice	Fixe Maße Fixed dimensions Dimensions fixes Medidas fijas Dimensioni fisse						m (kg)
		D	DL	D 1	I	M		
63	15.50.0223	121	118	124	95	20	1,1	
71	15.50.0224	136	132	139	95	20	1,15	
80	15.50.0225	154	150	157	95	20	1,2	
90	15.50.0255 <sup>®</sup>	174	169	177	105	30	1,6	
100	15.50.0290	192	187	195	105	30	1,7	
112	15.50.0254	216	210	219	105	30	1,8	
132	15.50.0156	255	250	258	127	40	2,7	
160	15.50.0160	307	300	311	152	40	3,9	

d	Sachnummern geändert	18.04.13	Mar	<b>wistro</b>	24.40.0067 Flansch Bg63 IL - Bg160 IL mit Stecker/Kabelverschraubung
c	Sachnummern eingebracht	07.12.12	Mar		
b	diverse	07.12.09	Mar		
Zust.	Änderung	Datum	Name		
				Erstellt: 12.07.06/vS	



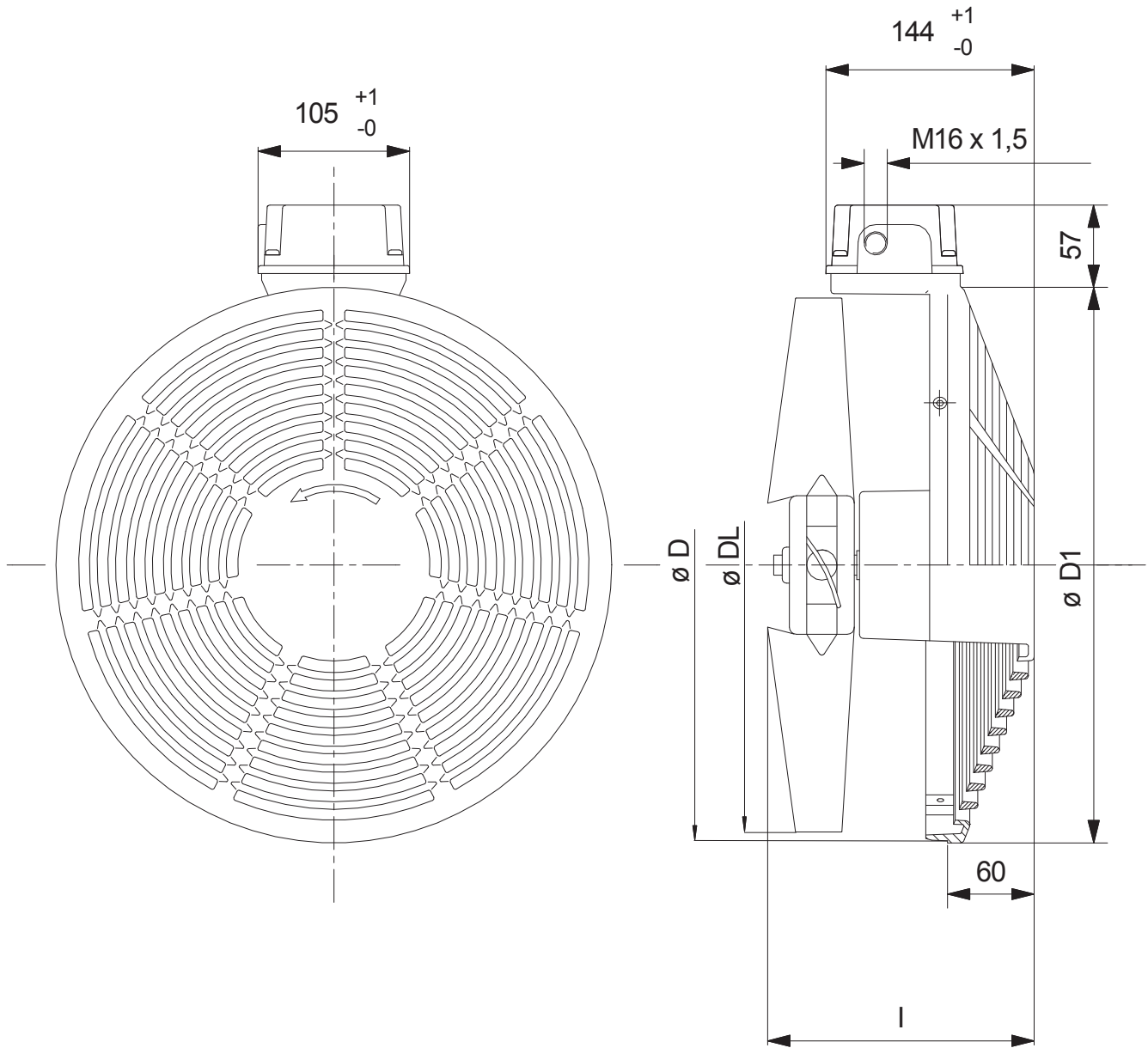
Bg Size HA Tamaño mod.	Sachnummer Article no. Numéro d'article Código de pieza Numero codice	Fixe Maße Fixed dimensions Dimensions fixes Medidas fijas Dimensioni fisse		Bemerkungen Remark Remarque Nota Nota
		DL	W	
63	14.00.0013	118	450	
71	14.00.0014	133	450	
80	14.00.0015	150	450	
90	14.00.0016	170	450	
100	14.00.0017	185	450	
112	14.00.0018	210	450	

F			
*			
A	W 150 = 450	09.01.13	Mar
Zust.	Änderung	Datum	Name



**24.57.0067**  
Axial-Einbaulüfter (3~ Motor Y/Δ)

Erstellt: 20.01.2011/Anders

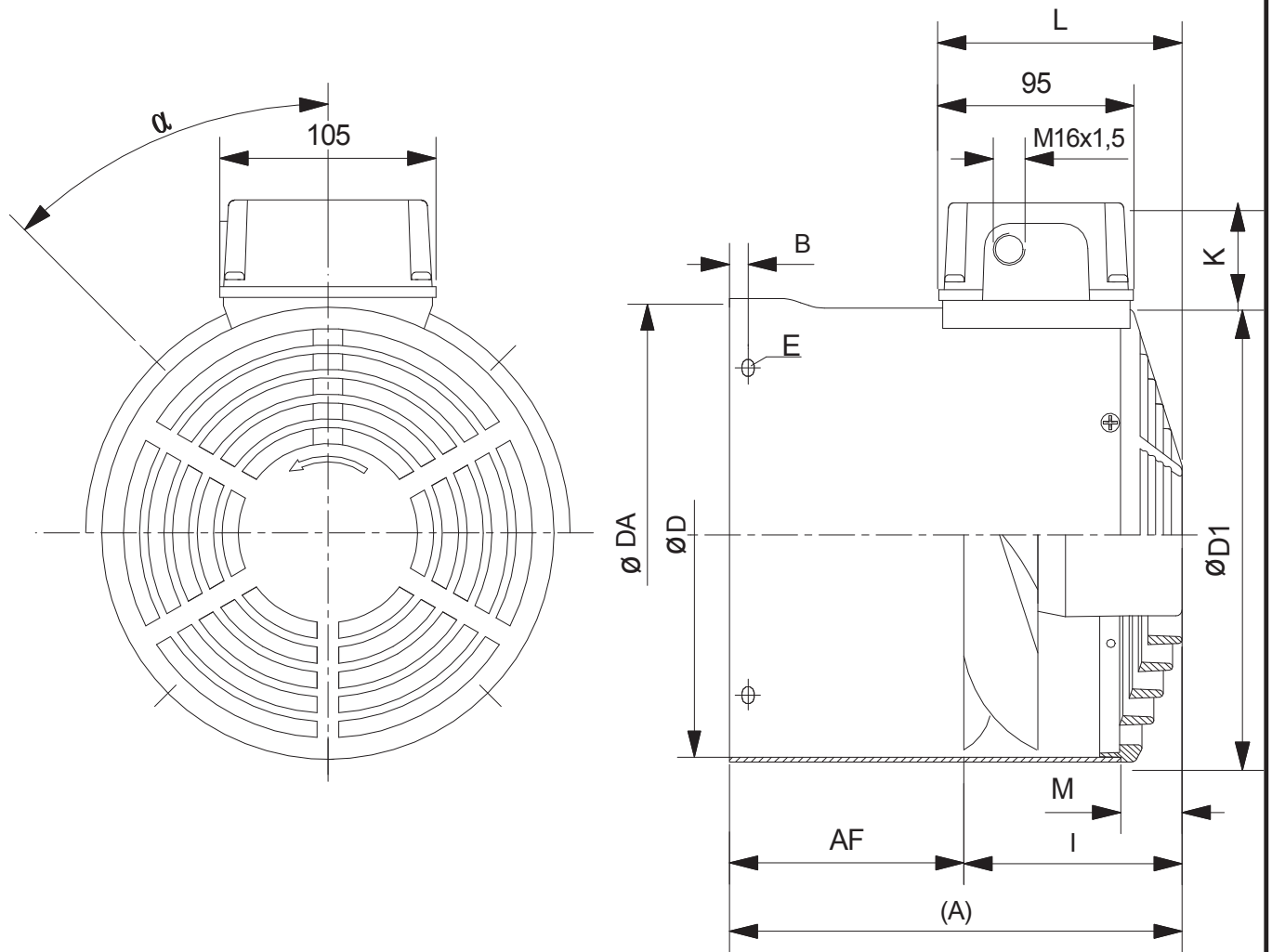


Bg size HA Tamaño mod.	Sachnummer Article no. Numéro d'article Código de pieza Numero codice	Fixe Maße Fixed dimensions Dimensions fixes Medidas fijas Dimensioni fisse					m (kg)			
		D	DL	D 1	l					
204	15.50.0199	382	375	385	195	6,6				
250	15.50.0200	477	470	480	200	8,9				

**wistro**

**24.17.0122**  
 Flansch Bg204/Bg250  
 vierpolig

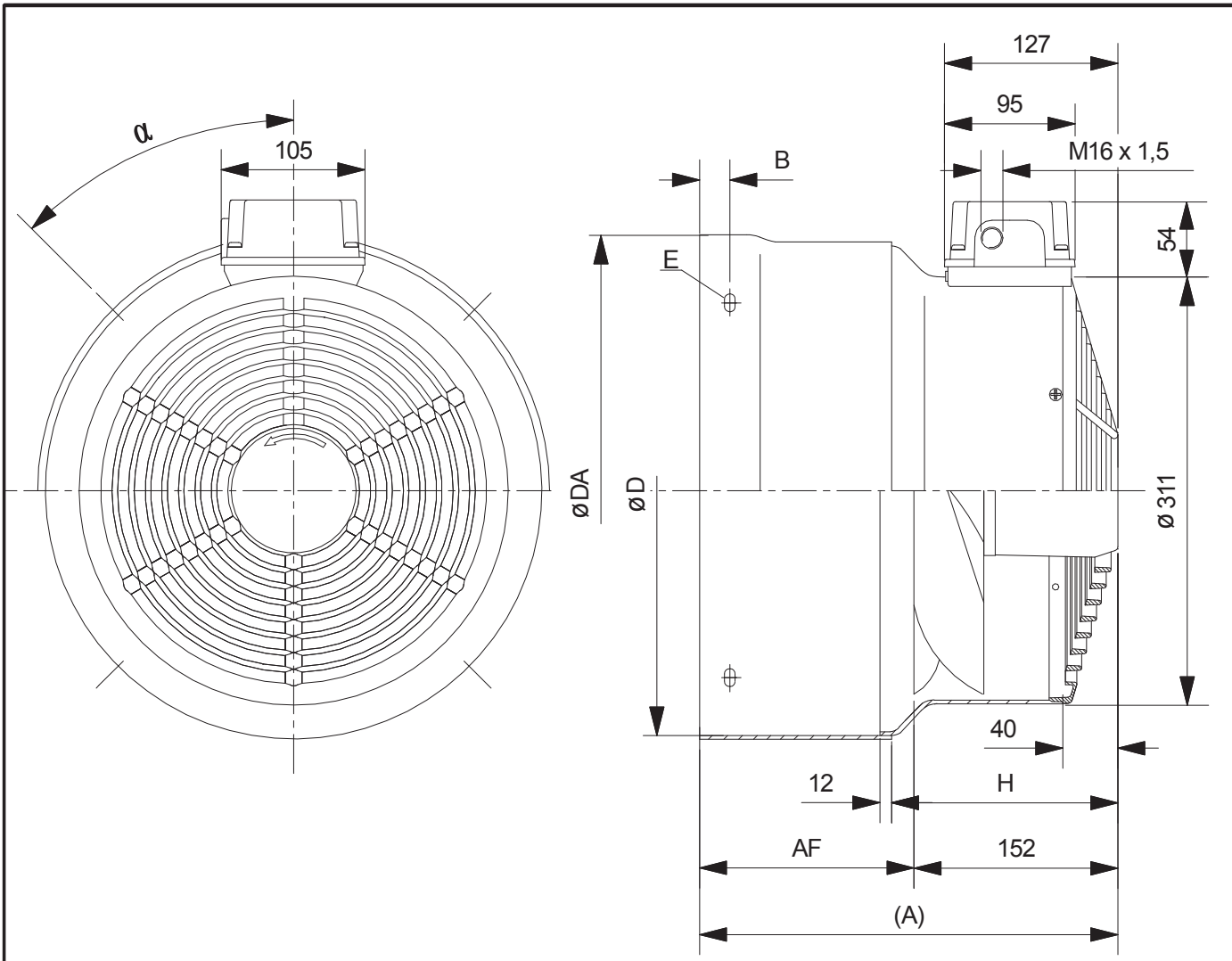
Zust.	Änderung	Datum	Name	Erstellt: 10.12.09/Mar
-------	----------	-------	------	------------------------



- Bei abweichender Lochteilung bitte Teilung und Winkel eintragen
- Please sketch position of holes, if different to standard
- Veuillez indiquer ci-dessus la position des orifices au cas où elle diffère du standard
- En caso de perforaciones discordante, introducir separación ángulo
- In presenza di una diversa ripartizione dei fori, registrare la ripartizione e l'angolazione

Bg size HA Tamaño mod.	Fixe Maße Fixed dimensions Dimensions fixes Medidas fijas Dimensioni fisse					Standardausführung Standard version Version standard Aplicación estándar Versione standart				Kundenspezifische Ausführung Customised version Version sur mesure Aplicación específicas del cliente Versione personalizzata					Bemerkungen
	D 1	I	L	K	M	B	D	E	$\alpha$	AF	B	DA	E	$\alpha$	
63	124	95	107	53	20	7	121	4,3 x 6	45°						
71	139	95	107	53	20	7	136	5,5 x 7	45°						
80	157	95	107	53	20	7	154	5,5 x 7	45°						
90	177	105	117	53	30	7	174	5,5 x 7	45°						
100	195	105	117	53	30	7	192	5,5 x 7	45°						
112	219	105	117	53	30	9	216	5,5 x 7	45°						
132	258	127	127	54	40	20	255	5,5 x 7	45°						
160	311	152	127	54	40	20	307	6,6 x 8	45°						

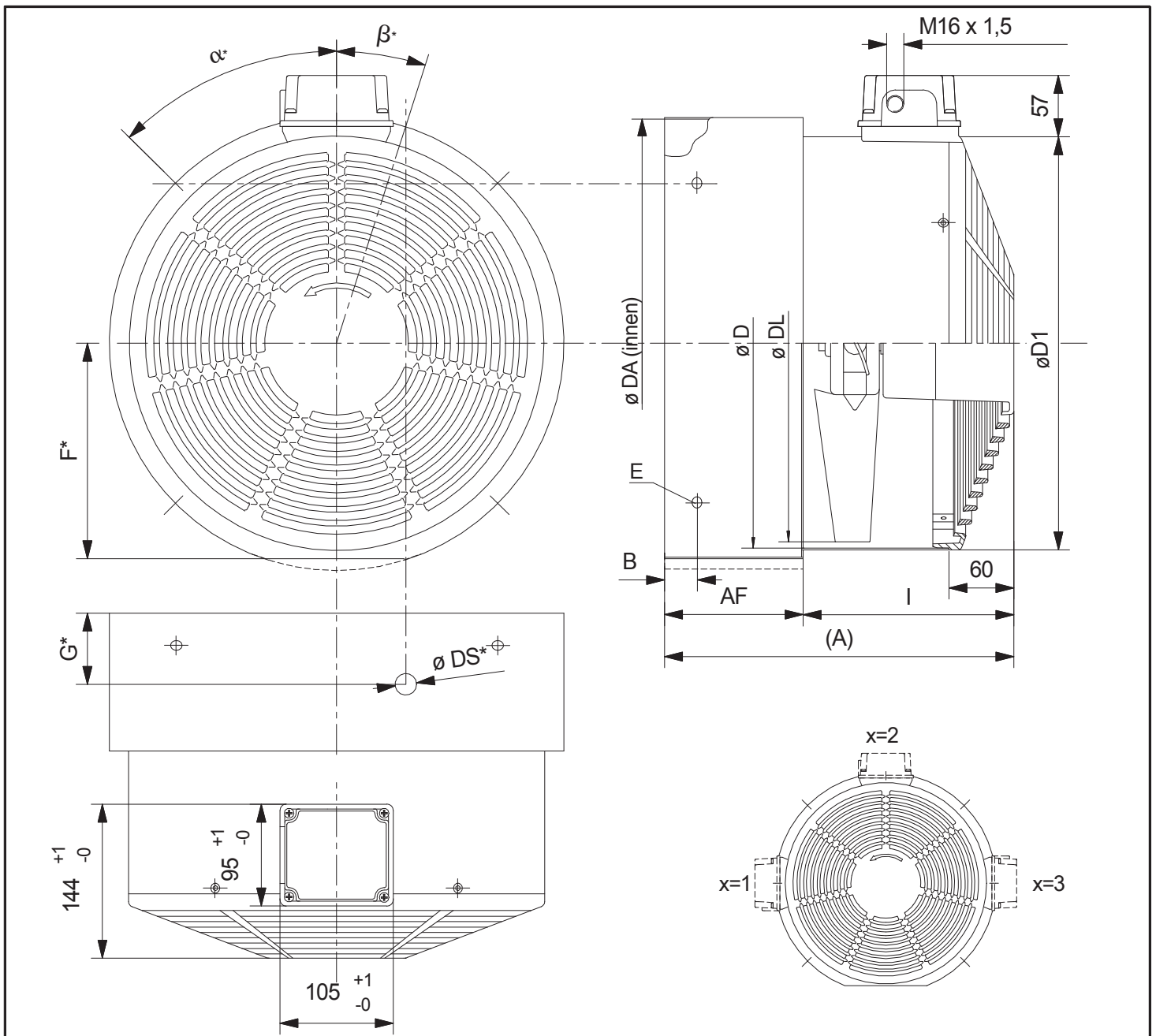
				<b>wistro</b>	24.00.0067 Bg63 IL - Bg160 IL
Zust.	Änderung	Datum	Name		



- Bei abweichender Lochteilung bitte Teilung und Winkel eintragen
- Please sketch position of holes, if different to standard
- Veuillez indiquer ci-dessus la position des orifices au cas où elle diffère du standard
- En caso de perforaciones discordante, introducir separación ángulo
- In presenza di una diversa ripartizione dei fori, registrare la ripartizione e l'angolazione

Bg size HA Tamaño mod.	Fixe Maße Fixed dimensions Dimensions fixes Medidas fijas Dimensioni fisse	Standardausführung Standard version Version standard Aplicación estándar Versione standart				Kundenspezifische Ausführung Customised version Version sur mesure Aplicación específicas del cliente Versione personalizzata				
	H	B	D	E	$\alpha$	AF	B	DA	E	$\alpha$
180	175	20	345	6,6 x 8	45°					
200	185	20	382	6,6 x 8	45°					

				<b>wistro</b>	24.00.0085 Bg180 IL - Bg200 IL
	neue Zeichnung	11.10.02	Fab		
Zust.	Änderung	Datum	Name	Erstellt: 11.10.02/Fab	

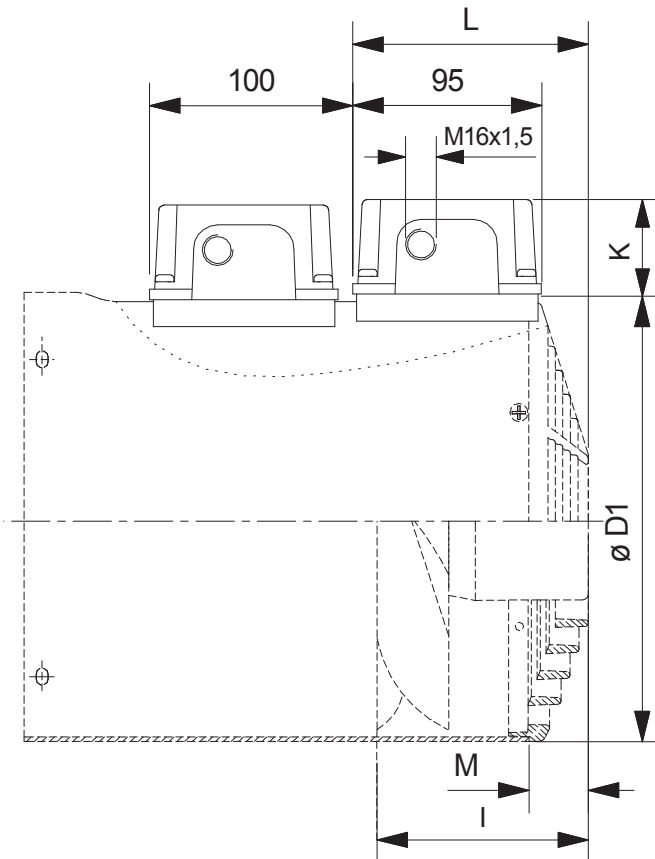


Fixe Maße Fixed dimensions Dimensions fixes Medidas fijas Dimensioni fisse					Kundenspezifische Ausführung Customised version Version sur mesure Aplicatción específicas del cliente Versione personalizzata											
Bg	D	D1	DL	I	(A)	AF	DA	B*	E*	F*	$\alpha^*$	DS*	G*	$\beta^*$	x	
204	382	385	375	195												
225	382	385	375	195												
249	382	385	375	195												
250	477	480	470	200												
280	477	480	470	200												
315	477	480	470	200												
355	477	480	470	200												
400	477	480	470	200												
450	477	480	470	200												

\*Standardausführung ohne Fläche u. Lochungen, Maße nur bei Bedarf eintragen  
 \*Standard version without attachment plate or holes, dimensions to be entered only if required  
 \*Version standard sans plaque de fixation ni orifices; dimensions ne sont à indiquer que si nécessaire  
 \*Aplicación estándar sin área ni perforación, introducir medidas solo si es necesario  
 \*Versione standard senza superficie e foratura, registrare le dimensioni solo in caso di necessità

c	b <sup>1</sup> , Baugrößen hinzu Volumenst. entfernt	13.10.09	An	<b>wistro</b>	24.00.0122 FLAI Bg204 - Bg450
b	Volumenstrom ergänzt	02.11.06	Fab.		
a	Bg249 mit DL375	20.03.06	Fab.		
Zust.	Änderung	Datum	Name	Erstellt: 07.02.06/Fab	

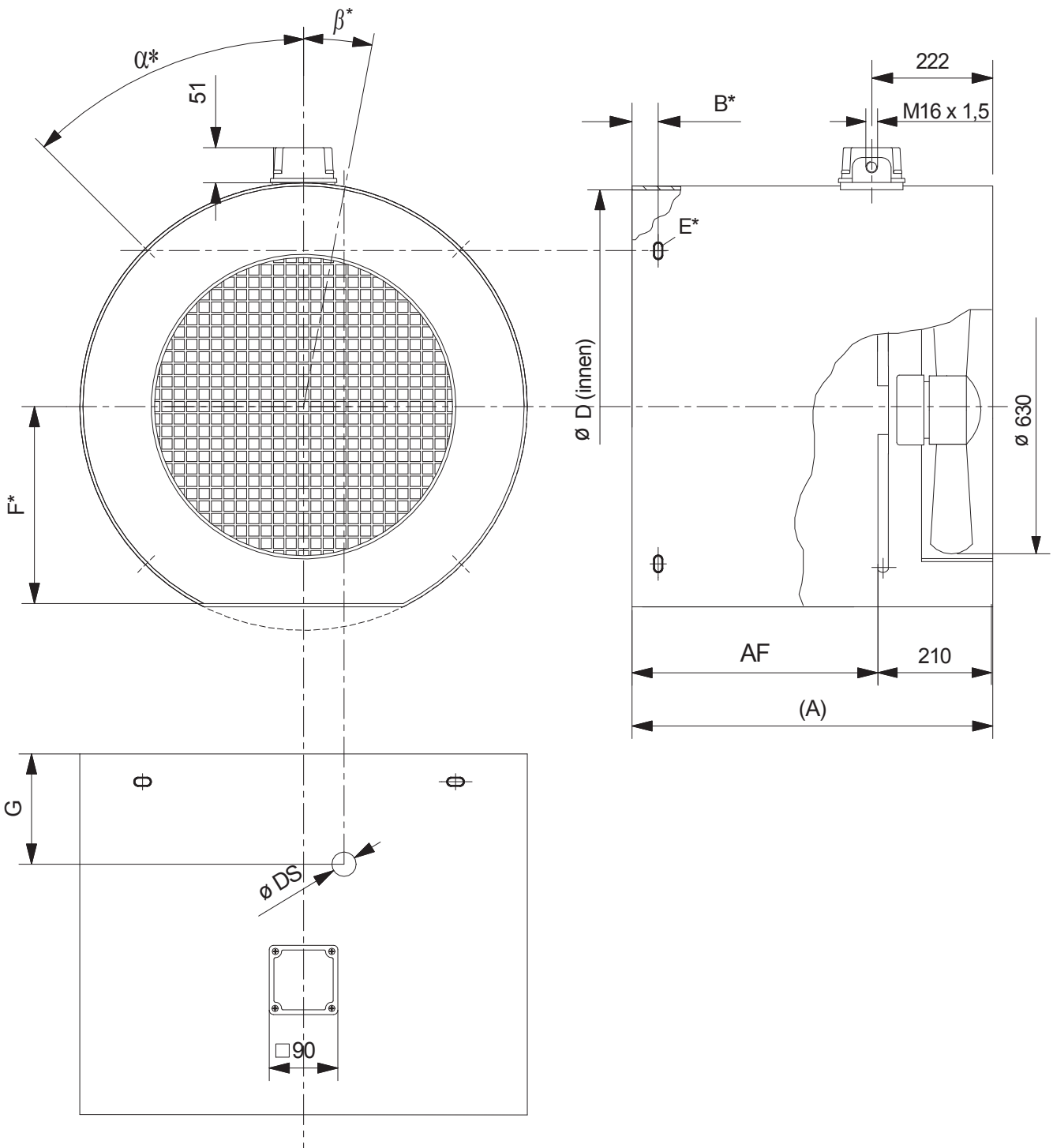




Bg size HA Tamaño mod.	Fixe Maße Fixed dimensions Dimensions fixes Medidas fijas Dimensioni fisse					Standardausführung Standard version Version standard Aplicación estándar Versione standart				Kundenspezifische Ausführung Customised version Version sur mesure Aplicación específicas del cliente Versione personalizzata					
	D 1	I	L	K	M	B	D	E	α	AF	B	DA*	E	α	Bemerkungen
63	124	95	107	53	20					.....		.....		.....	
71	139	95	107	53	20					.....		.....		.....	
80	157	95	107	53	20					.....		.....		.....	
90	177	105	117	53	30					.....		.....		.....	
100	195	105	117	53	30					.....		.....		.....	
112	219	105	117	53	30					.....		.....		.....	
132	258	127	127	54	40					.....		.....		.....	
160	311	152	127	54	40					.....		.....		.....	

- \* Abweichende Innendurchmesser möglich
- \* Different diameters available
- \* Différents diamètres intérieurs disponibles
- \* Es posible que el diámetro interior sea discordante
- \* Possibilità di diametri interni diversi

					<b>24.00.0141</b> <b>Bg63 IL - Bg160 IL</b> <b>mit zweitem Klemmkasten</b>
a	diverse	08.12.09	Mar		
Zust.	Änderung	Datum	Name	Erstellt: 01.04.08/vS	



Kundenspezifische Ausführung  
 Customised version  
 Version sur mesure  
 Aplicatción específicas del cliente  
 Versione personalizzata

AF	(A)	D	B*	F*	$\alpha^*$	E*	DS*	G*	$\beta^*$

\*Standardausführung ohne Fläche u. Lochnungen, Maße nur bei Bedarf eintragen  
 \*Standard version without attachment plate or holes, dimensions to be entered only if required  
 \*Version standard sans plaque de fixation ni orifices; dimensions ne sont à indiquer que si nécessaire  
 \*Aplicación estándar sin área ni perforación, introducir medidas solo si es necesario  
 \*Versione standard senza superficie e foratura, registrare le dimensioni solo in caso di necessità

				<b>wistro</b>
a	Bg hinzu	19.01.12	An	
Zust.	Änderung	Datum	Name	Erstellt: 09.02.04/Fab

24.00.0144  
 FLA Bg400 - 560

A

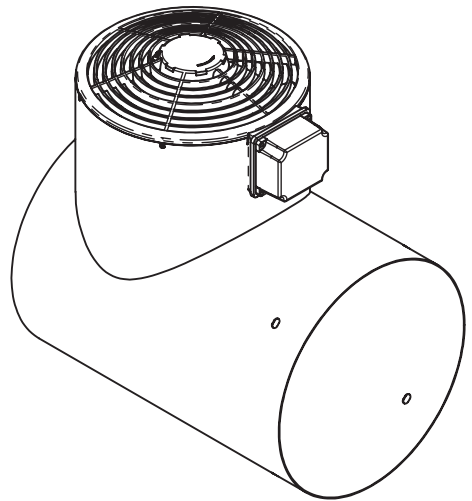
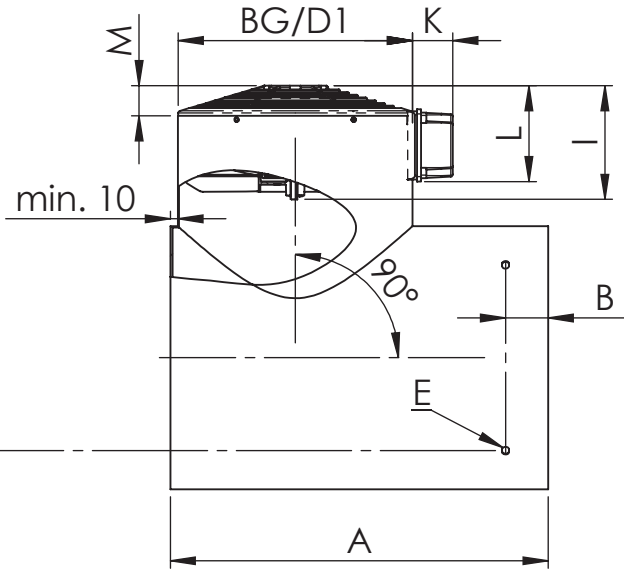
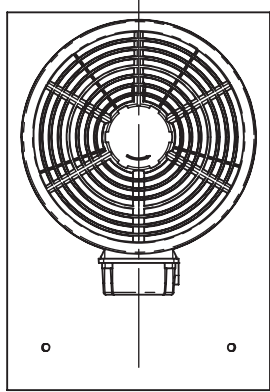
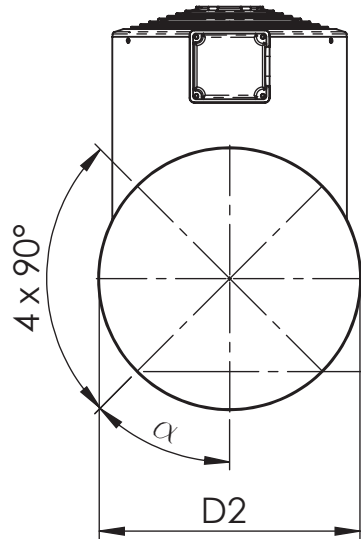
B

C

D

E

F

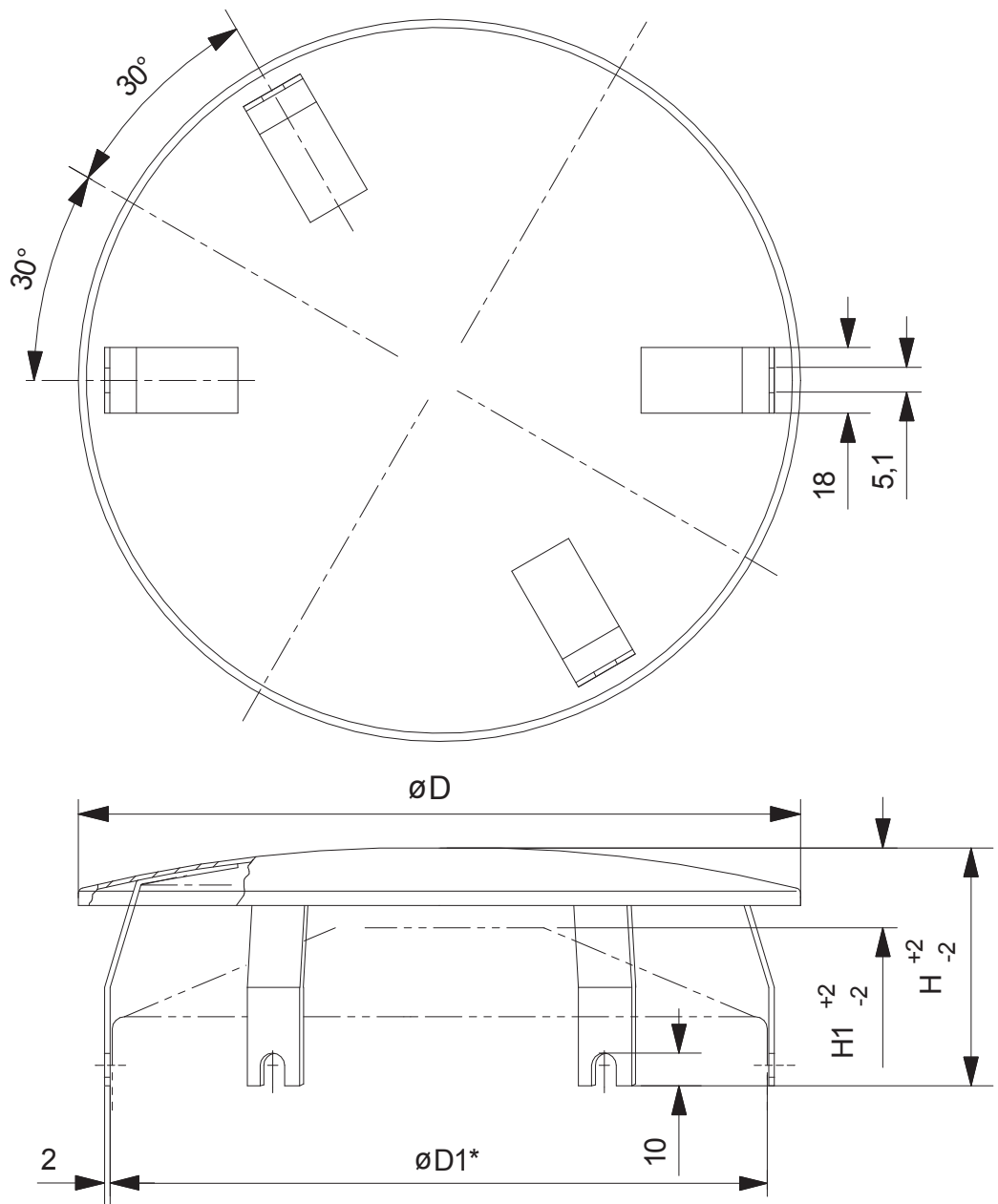


Bg Size HA Tamaño mod.	Fixe Maße Fixed dimensions Dimensions fixes Medidas fijas Dimensioni fisse					Standardausführung Standard version Version standard Aplicacación estándar Versione standart		Kundenspezifische Ausführung Customised version Version sur mesure Aplicacación específicas del cliente Versione personalizzata					Bemerkungen
	D1	I	L	K	M	B	E	D2	A	$\alpha$	B	E	
63	124	95	107	53	20	7	4,3 x 7						
71	139	95	107	53	20	7	5,5 x 8						
80	157	95	107	53	20	7	5,5 x 8						
90	177	105	117	53	30	7	5,5 x 8						
100	195	105	117	53	30	7	5,5 x 8						
112	219	105	117	53	30	9	5,5 x 8						
132	258	127	127	54	40	20	5,5 x 8						
160	311	152	127	54	40	20	6,6 x 9						
204	385	195	144	57	60	20	9 x 13						
250	480	200	144	57	60	20	9 x 13						



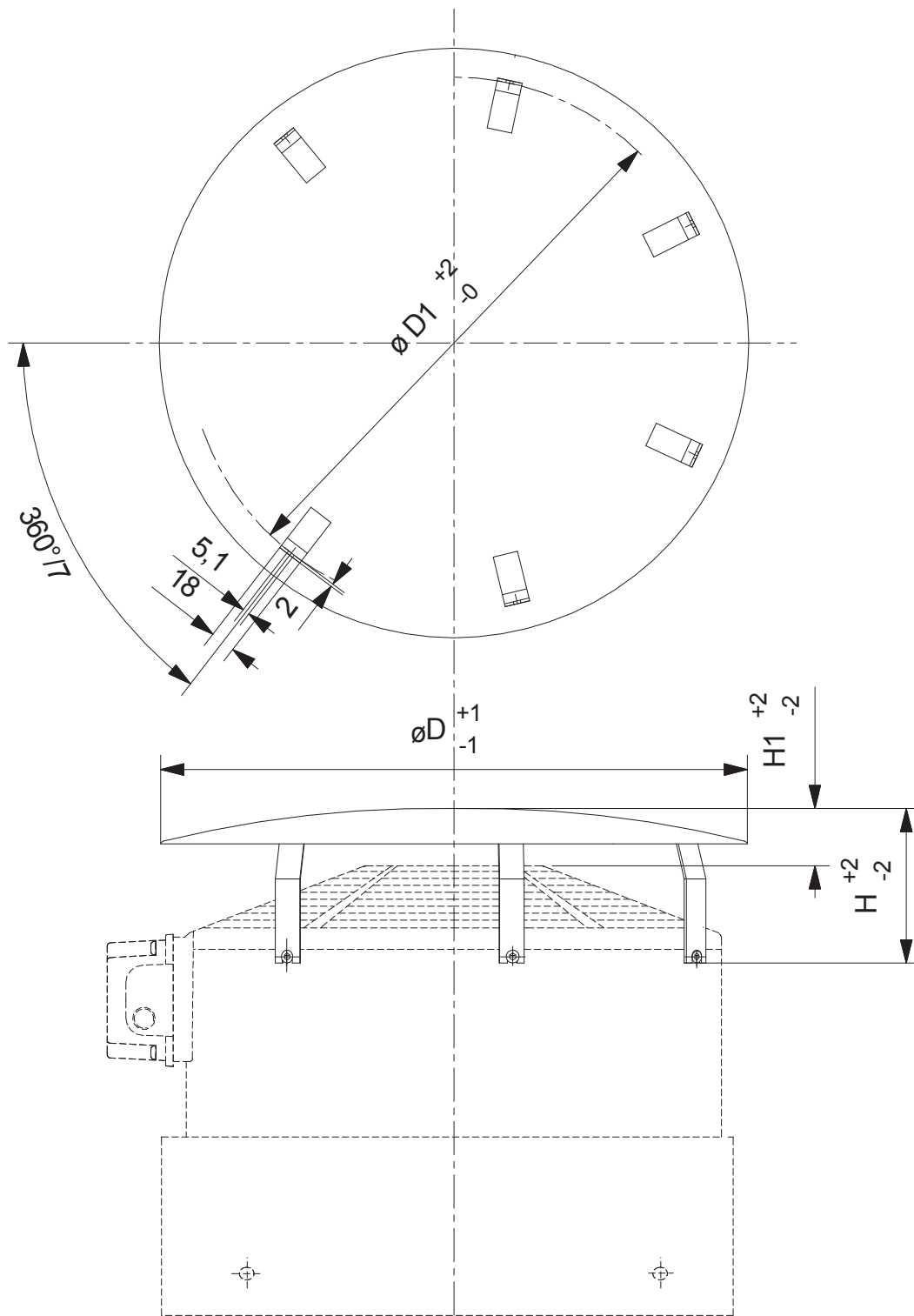
24.00.0168  
Fremdlüfter mit T-Rohr  
Bg63-250

Zust.	Änderung	Datum	Name	Erstellt: 16.04.13 / Bierwirth
-------	----------	-------	------	--------------------------------



Bg size HA Tamaño mod.	Sachnummer Article no. Numéro d'article Código de pieza Numero codice	D	D1	H	H1	m (kg)	
63	23.00.0126	133	124	70	38	0,20	
71	23.01.0126	150	139	68	36	0,25	
80	23.02.0126	170	157	71	39	0,30	
90	23.03.0126	188	177	75	33	0,35	
100	23.04.0126	210	195	72	30	0,50	
112	23.05.0126	249	219	75	33	0,70	
132	23.06.0126	300	258	76	24	1,30	
160 180 200	23.07.0126	338	311	83	31	1,60	

				<b>wistro</b>	Maßblatt 24.00.0084 Regenschutzdach IL Bg63 - 200
	neue Zeichnung	04.11.04	Fab		
Zust.	Änderung	Datum	Name	Erstellt: 04.11.04/Fab	



Bg size HA Tamaño mod.	Sachnummer Article no. Numéro d'article Código de pieza Numero codice	D	D1	H	H1	m (kg)
204	23.00.0301	424	385	120	50	2,5
250	23.01.0301	510	480	120	50	3,5

					<b>Maßblatt 24.04.0122</b> <b>Regenschutzdach IL</b> <b>Bg204 - Bg450</b>
Zust.	Änderung	Datum	Name		

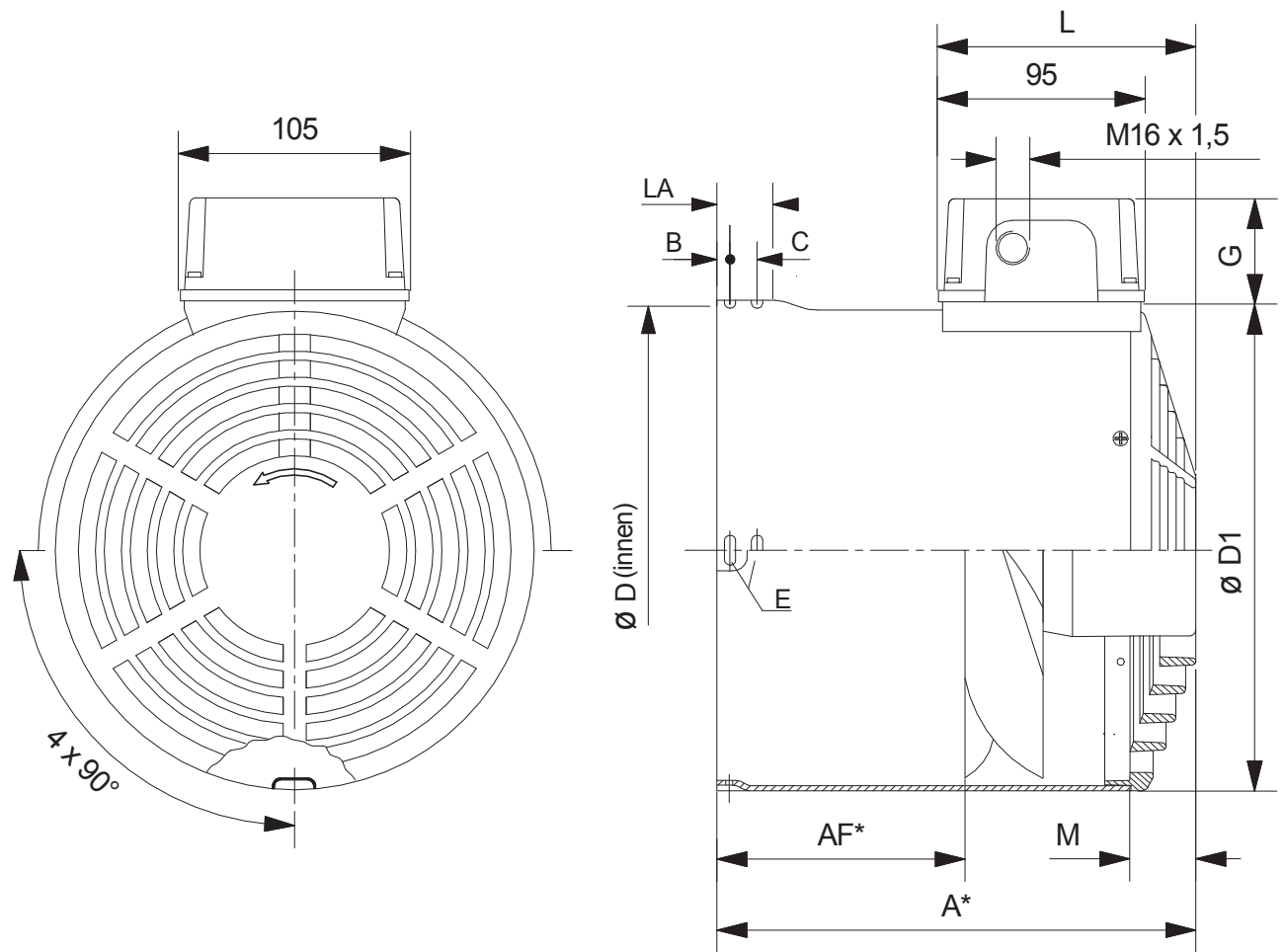
Fremdlüfteraggregate für diverse Motorenfabrikate sind unter [www.wistro.com](http://www.wistro.com) → *Produktanfrage* verfügbar. Für Fragen stehen wir Ihnen selbstverständlich auch persönlich zur Verfügung. Bitte betrachten Sie das folgende Zeichnungsmaterial als Beispiel.

Forced ventilation units are available for several types of motors which you can find on [www.wistro.com](http://www.wistro.com) → *Product enquiries*. If you have any questions do not hesitate to contact us. Please regard the following drawings as examples.

Les groupes de ventilation forcée pour diverses marques de moteurs sont disponibles à l'adresse [www.wistro.com](http://www.wistro.com) → *Demande de produit*. En cas de questions, nous sommes bien sûr à votre disposition. Veuillez tenir compte des dessins suivants pour exemples.

En [www.wistro.com](http://www.wistro.com) → *Solicitud de producto* encontrará unidades de ventilación independientes para diferentes marcas de motores. Por supuesto, estamos a su disposición para cualquier duda. Las siguientes ilustraciones deben considerarse meros ejemplos.

I gruppi ventilatori esterni per diversi produttori sono disponibili all'indirizzo [www.wistro.com](http://www.wistro.com) → *Richiesta informazioni sul prodotto*. Per eventuali richieste l'azienda è a completa disposizione anche per consultazioni personali. Prendere in considerazione i disegni riportati di seguito a titolo d'esempio.



Bg size HA Tamaño mod.	Sachnummer Article no. Numéro d'article Código de pieza Numero codice	A*	AF*	B	C	D	D 1	E	G	LA	L	M
63	17.00.0061	151	56	5,5	—	116	124	4,3x6	53	—	107	20
71	17.00.0062	165	70	5,5	—	138	139	4,3x6	53	25	107	20
80	17.00.0063	166	71	5,5	—	155	157	4,3x6	53	25	107	20
90	17.01.0064	195	90	5,5	—	172	177	5,5x7	53	—	117	30
100	17.01.0065	200	95	6	15	194	195	5,5x7	53	30	117	30
112	17.01.0033	212	107	6	15	219	219	5,5x7	53	40	117	30
132	17.00.0197	252	125	6	20	258	258	5,5x7	54	45	127	40
160	17.00.0181	295	143	6	20	312	311	5,5x7	54	50	127	40


\* Standardausführung, andere Längen nach Kundenspezifikation möglich

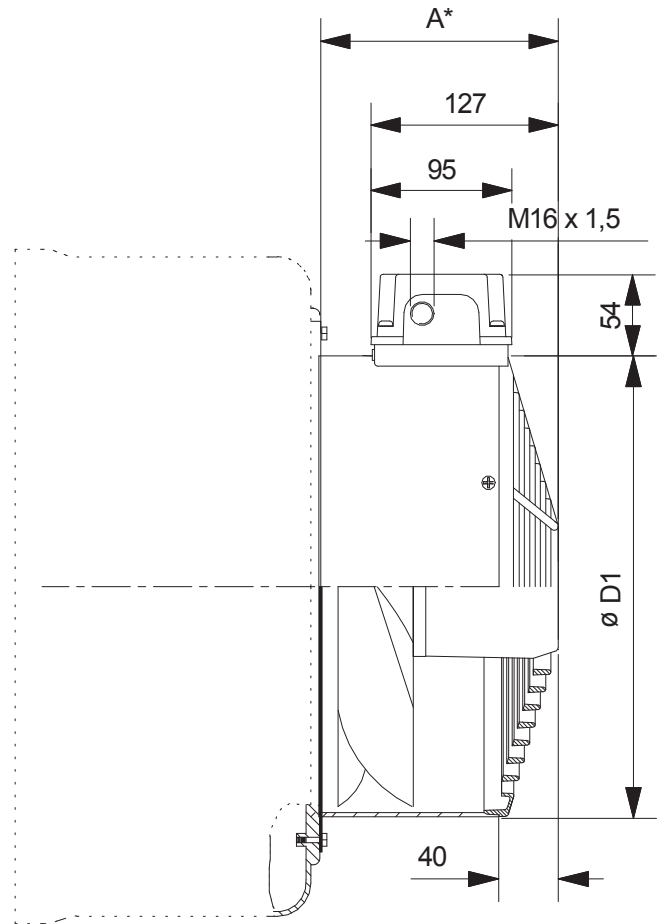
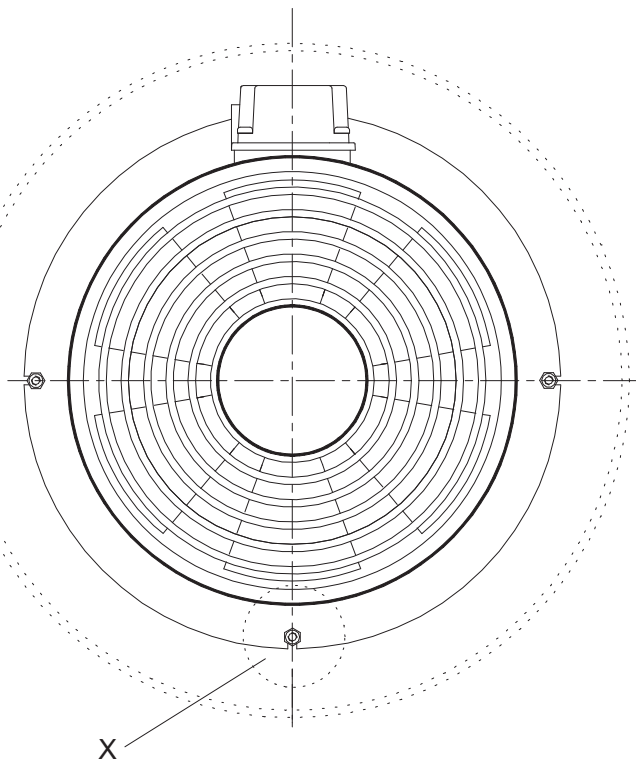
\* Standard version, different length available

\* Version standard, différentes spécifications disponibles

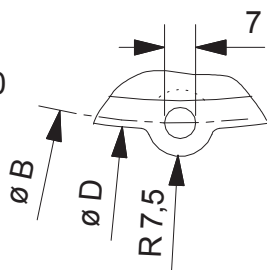
\* Aplicación estándar, posibilidad de otras longitudes según las especificaciones del cliente

\* Versione standard, altre lunghezze possibili in base alle specifiche dei clienti

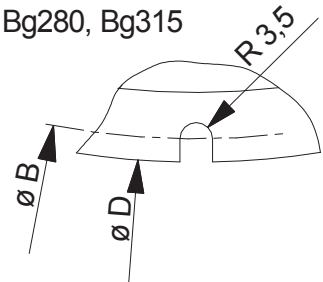
b	Anpassung n.Motor	07.12.09	Mar		<b>24.07.0067</b> <b>Siemens 1LA7</b> <b>Bg63 IL - Bg160 IL</b>
a	Volumenst. entfernt	23.10.09	Mar		
	neue Zeichng.	14.10.02	Fab.		
Zust.	Änderung	Datum	Name		



X  
Bg180, Bg200



X  
Bg225, Bg250, Bg280, Bg315



Bg size HA Tamaño mod.	WISTRO	Sachnummer Article no. Número d'article Código de pieza Numero codice	A*	B	D	D 1
180	(132)	17.00.0461	135	265	268	258
200						
225	(132)	17.00.0462	135	330	340	258
250						
280	(160)	17.00.0463	160	350	361	311
315	(160)	17.00.0464	160	380	391	311

\* Standardausführung, andere Längen nach Kundenspezifikation möglich

\* Standard version, different length available

\* Version standard, différentes spécifications disponibles

\* Aplicación estándar, posibilidad de otras longitudes según las especificaciones del cliente

\* Versione standard, altre lunghezze possibili in base alle specifiche dei clienti

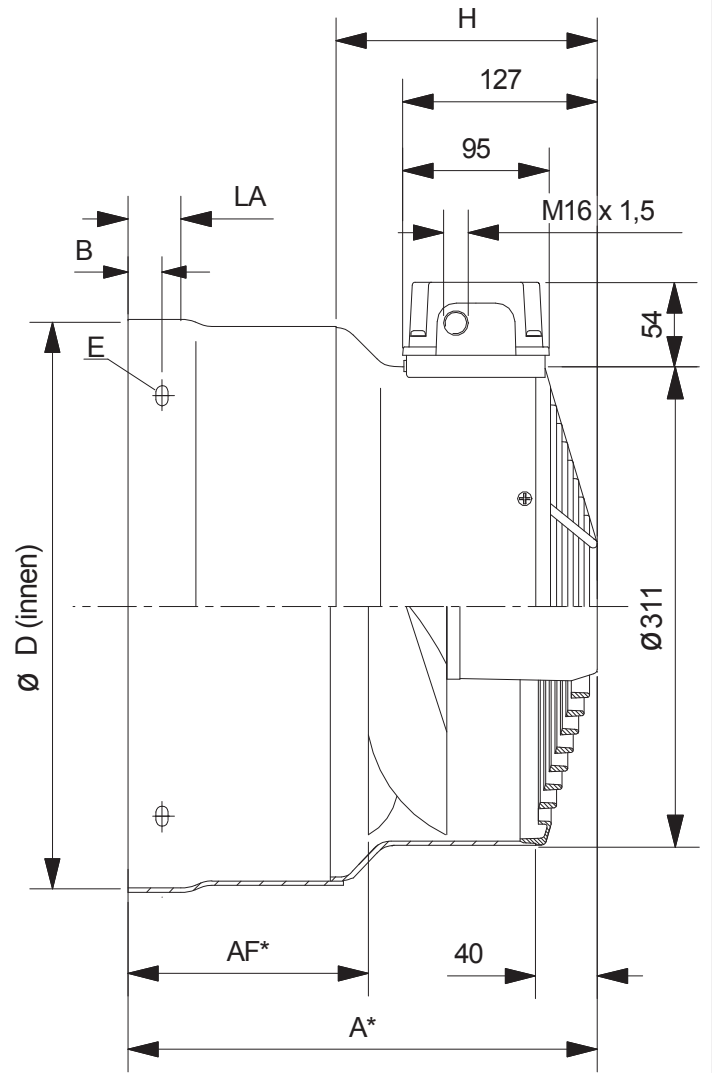
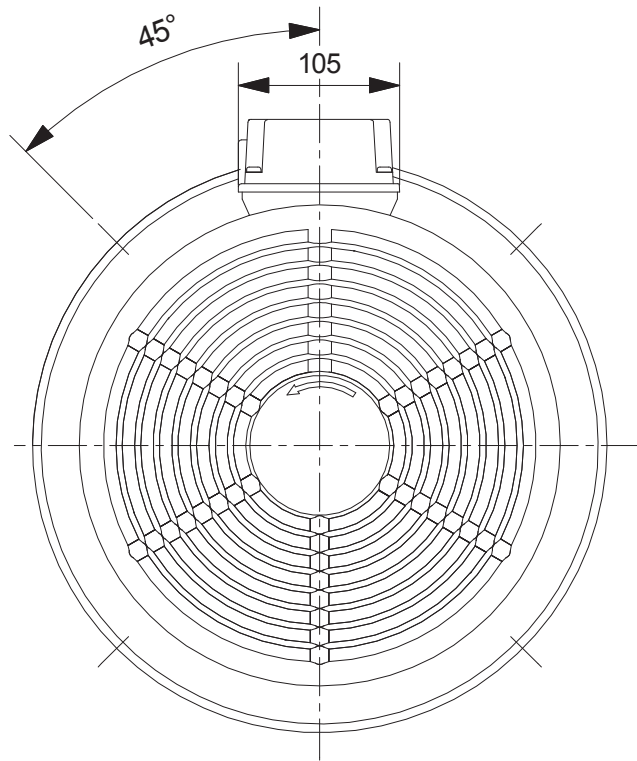
a	1LA6	05.09.05	Fab.
Zust.	Änderung	Datum	Name

**wistro**

Erstellt: 08.01.03/Fab

24.25.0067  
SIEMENS 1LG4<sup>®</sup>  
Bg180 - Bg315

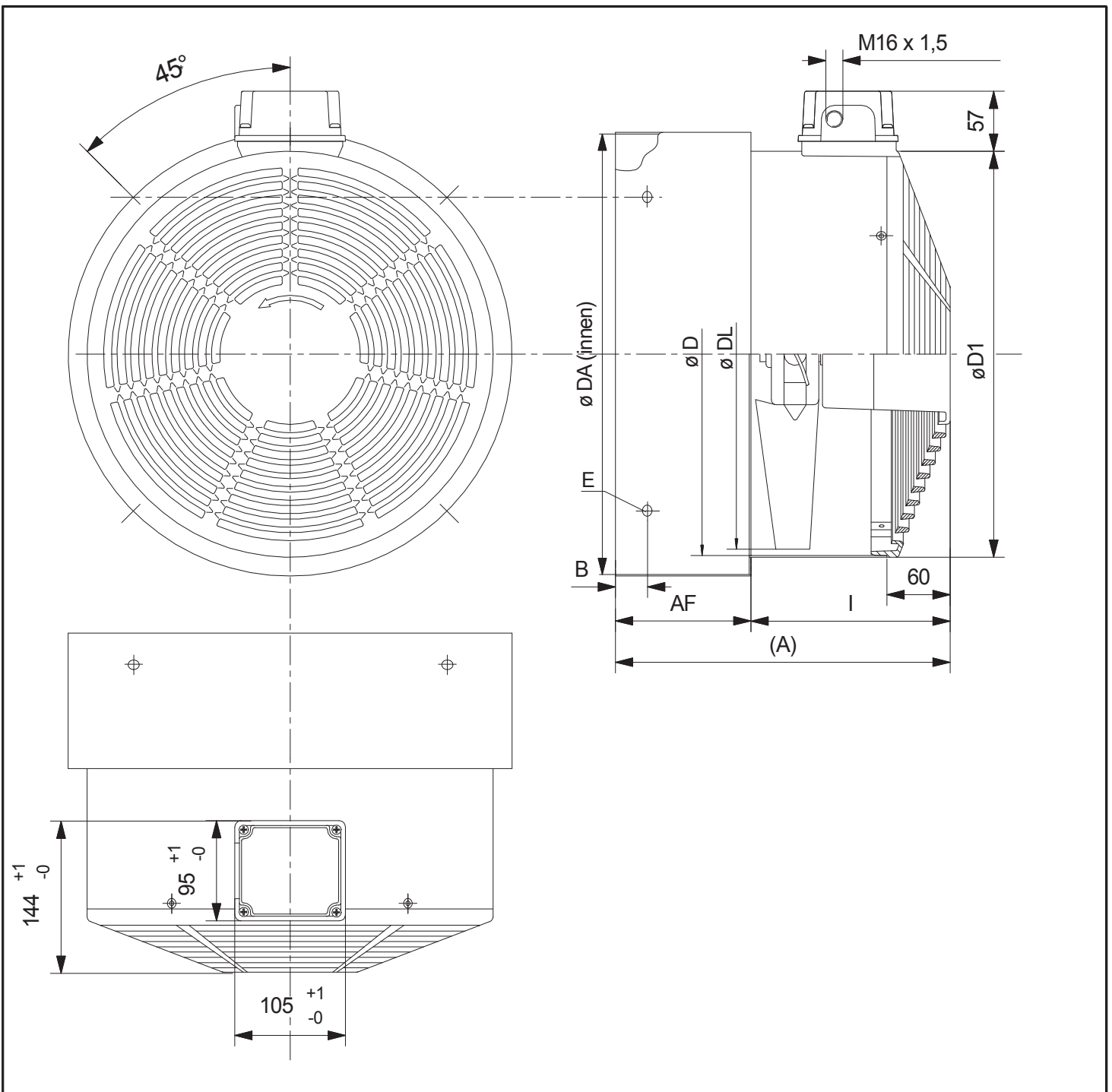




Bg size HA Tamaño mod.	Sachnummer Article no. Numéro d'article Código de pieza Numero codice	A*	AF*	B	DA	E	H	LA
180	17.00.0284	320	168	50	350	6,6 x 8	175	65
200	17.00.0283	320	168	55	390	6,6 x 8	185	65

- \* Standardausführung, andere Längen nach Kundenspezifikation möglich
- \* Standard version, different length available
- \* Version standard, différentes spécifications disponibles
- \* Aplicación estándar, posibilidad de otras longitudes según las especificaciones del cliente
- \* Versione standard, altre lunghezze possibili in base alle specifiche dei clienti

a	Volumenst. entfernt	23.10.09	Mar		<b>24.04.0085</b> <b>SIEMENS 1LA5</b> <b>Bg180 IL - Bg200 IL</b>
	neue Zeichng.	27.11.02	Fab.		
Zust.	Änderung	Datum	Name		



Bg size HA Tamaño mod.	Sachnummer Article no. Numéro d'article Código de pieza Numero codice	A*	AF*	B	D	DA	D1	DL	E	I
225	17.00.1088	411	216	65	382	424	385	375	ø 9	195
250	17.00.1089	435	240	73	382	475	385	375	ø 9	195
280	17.00.1090	449	249	73	477	525	480	470	ø 9	200
315	17.00.1091	473	273	58	477	586	480	470	ø 9	200

\* Standardausführung, andere Längen nach Kundenspezifikation möglich  
 \* Standard version, different length available  
 \* Version standard, différent spécifications disponibles  
 \* Aplicación estándar, posibilidad de otras longitudes según las especificaciones del cliente  
 \* Versione standard, altre lunghezze possibili in base alle specifiche dei clienti

b	Volumenst. entfernt	23.10.09	Mar	<b>wistro</b>	24.08.0122 Siemens 1LG4 Bg200 - 315
a	Volumenstrom hinzu	13.12.06	Fab		
Zust.	Änderung	Datum	Name		

## Installation declaration

for an incomplete machine within the meaning of the EEC Machine Directive 2006/42/EU Annex IIB

The version of the external ventilation units size 63 to 450 with built-in asynchronous internal and external rotor motor or electronic commutate internal and external rotor motor has been developed, designed and produced in compliance with the above EEC directives under the sole responsibility of the company

WISTRO  
Elektro-Mechanik-GmbH  
Berliner Allee 29 – 31  
D-30855 Langenhagen

and complies with the requirements of Annex I, Articles 1.1.2, 1.1.5, 1.4.1, 1.5.1 of the EU Machine Directive 2006/42/EU.

The following harmonised standards have been used:

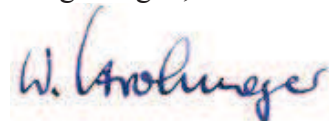
EN 60204-1: 2006 Safety of machines; electrical equipment of machines  
EN ISO 12100 : 2003 Safety of machines; fundamental terms, general design guidelines  
EN ISO 13857 : 2008 Safety of machines; safe distances

The special technical documents as per Annex VII Part B have been produced and are completely available.

In case of a justified request, the special documents will be communicated to the State authority. This communication may be made electronically, on data carriers or on paper. All protective rights remain with the manufacturer stated above.

This product is only intended for integration into a system which is completed with other devices and must be operated as such. The operator of the overall system is responsible for compliance with the Machine Directive and the conformity procedures.

Langenhagen, 22.12.09



W. Strohmeyer

Manager and person authorised for the special technical documents.

## **EEC Declaration of Conformity**

In the sense of the EEC Low Voltage Directives 2006/95/EEC and EMC 2004/108/EEC.

The version of the external ventilation units size 63 to 450 with built-in asynchronous internal rotor motor has been developed, designed and produced in compliance with the above EEC directives under the sole responsibility of the company:

WISTRO  
Elektro-Mechanik-GmbH  
Berliner Allee 29 – 31  
D-30855 Langenhagen

The following harmonised standards have been used:

EN 60034-1 :2004  
EN 60204-1 :2006  
EN 60529 :1991 + A1:2000  
EN 61000-6-3 :2007  
EN 61000-6-2 :2005

The content of the EMC Directive 2004/108/EEC only applies to this product if it is directly connected to the normal power supply network. If the product is integrated into a system or is supplemented and operated with other devices, the manufacturer or operator of the total system is responsible for compliance with the EMC Directive.

Langenhagen, 01.07.2009



W. Strohmeyer - Manager

**Suppliers declaration for the EU- chemical regulation according to the guideline 1907/2006/EC (REACH)**

We hereby to declare that our products:

**- Forced vent units IL for the motor sizes from Bg.63 to Bg.560 -**

Conform with the above mentioned EU – guideline and especially the worrying substances according to the list of candidates from the 28.10.2008 are not contained, respectively the maximum permissible value of 0,1% mass concentration will not be exceeded.

Langenhagen, 13.07.2009



W. Strohmeyer (MD)

---

**Supplier's declaration for the avoidance of hazardous substances  
as per Directive 2011/65/EU (RoHS)**

We hereby declare that our products, which have been delivered after 03. Jan 2013 do not contain the following substances in excess of the stated concentrations:

Chromium VI	0.1% by weight
Cadmium	0.01% by weight
Mercury	0.1% by weight
Lead	0.1% by weight
Polybrominated diphenyl ether (PBDE)	0.1% by weight
Polybrominated biphenyl (PBB)	0.1% by weight

A special notification will be made regarding products which do not comply with these requirements.

Amendments which affect the above limits will be notified immediately.

Langenhagen, 20.12.2012



W. Strohmeyer (Manager)

# CERTIFICATE OF COMPLIANCE

**Certificate Number** 20130325-E233141  
**Report Reference** E233141-20021218  
**Issue Date** 2013-MARCH-25

**Issued to:** WISTRO ELEKTRO-MECHANIK GMBH  
BERLINER ALLEE 29-31  
30855 LANGENHAGEN GERMANY

**This is to certify that  
representative samples of**

**COMPONENT - MOTORS**



Electric Fan Motor, single or three phase:  
Models: B20, B30, B31, C35, C60, C61, E30, D48 and F50;  
Models: E31 IL-2-1/063-OT, E31 IL-2-1/071-OT, E31 IL-2-1/080-OT, E31 IL-2-3/063-OT, E31 IL-2-3/071-OT and E31 IL-2-3/080-OT.

Have been investigated by UL in accordance with the Standard(s) indicated on this Certificate.

**Standard(s) for Safety:** UL 1004-1, Rotating Electrical Machines - General Requirements; CSA-C22.2 No. 100, Motors and Generators.


**Additional Information:** See the UL Online Certifications Directory at [www.ul.com/database](http://www.ul.com/database) for additional information

Only those products bearing the UL Recognized Component Marks for the U.S. and Canada should be considered as being covered by UL's Recognition and Follow-Up Service and meeting the appropriate U.S. and Canadian requirements.

The UL Recognized Component Mark for the U.S. generally consists of the manufacturer's identification and catalog number, model number or other product designation as specified under "Marking" for the particular Recognition as published in the appropriate UL Directory. As a supplementary means of identifying products that have been produced under UL's Component Recognition Program, UL's Recognized Component Mark: , may be used in conjunction with the required Recognized Marks. The Recognized Component Mark is required when specified in the UL Directory preceding the recognitions or under "Markings" for the individual recognitions. The UL Recognized Component Mark for Canada consists of the UL Recognized Mark for Canada:  and the manufacturer's identification and catalog number, model number or other product designation as specified under "Marking" for the particular Recognition as published in the appropriate UL Directory.

Recognized components are incomplete in certain constructional features or restricted in performance capabilities and are intended for use as components of complete equipment submitted for investigation rather than for direct separate installation in the field. The final acceptance of the component is dependent upon its installation and use in complete equipment submitted to UL LLC.

Look for the UL Recognized Component Mark on the product.



William R. Carney, Director, North American Certification Programs

UL LLC

Any information and documentation involving UL Mark services are provided on behalf of UL LLC (UL) or any authorized licensee of UL. For questions, please contact a local UL Customer Service Representative at [www.ul.com/contactus](http://www.ul.com/contactus)



# CERTIFICATE



Management system as per  
**DIN EN ISO 9001 : 2008**

In accordance with TÜV NORD CERT procedures, it is hereby certified that

**Wistro-Elektromechanik GmbH**  
Berliner Allee 29-31  
30855 Langenhagen  
Germany

**wistro**

applies a management system in line with the above standard for the following scope

**Development, manufacture and sale of industrial fans  
and forced ventilation units**

Certificate Registration No. 44 100 110005  
Audit Report No. 3507 8002

Valid until 2014-05-15

*G. Bräutigam*  
Certification Body  
at TÜV NORD CERT GmbH

Essen, 2011-05-16

This certification was conducted in accordance with the TÜV NORD CERT auditing and certification procedures and is subject to regular surveillance audits.

TÜV NORD CERT GmbH

Langemarckstrasse 20

45141 Essen

[www.tuev-nord-cert.com](http://www.tuev-nord-cert.com)



TGA-ZM-07-06-00



# CERTIFICATE



Management system as per  
**DIN EN ISO 14001 : 2009**

In accordance with TÜV NORD CERT procedures, it is hereby certified that

**Wistro-Elektromechanik GmbH**  
Berliner Allee 29-31  
30855 Langenhagen  
Germany

**wistro**

applies a management system in line with the above standard for the following scope

**Development, manufacture and sale of industrial fans  
and forced ventilation units**

Certificate Registration No. 44 104 110005  
Audit Report No. 3507 8003

Valid until 2014-05-15

  
Certification Body  
at TÜV NORD CERT GmbH

Essen, 2011-05-16

This certification was conducted in accordance with the TÜV NORD CERT auditing and certification procedures and is subject to regular surveillance audits.

TÜV NORD CERT GmbH

Langemarckstrasse 20

45141 Essen

[www.tuev-nord-cert.com](http://www.tuev-nord-cert.com)



TGA-ZM-07-06-60



TÜV NORD ANLAGENTECHNIK GMBH  
Am TÜV 1  
30519 Hannover

**ANLAGENTECHNIK**

Bescheinigung über die  
Prüfung des Gehäuseschutzgrades  
gemäß DIN VDE 0470, Teil 1 / EN 60 529

Prüflabor  
Explosionsgeschützte Betriebsmittel  
und Überwachungseinrichtungen

Angestrebter Schutzgrad: IP 66

Prüfeinrichtung gemäß DIN VDE 0470, Teil 1 / EN 60 529,  
Abschnitte 13.4, 13.6, 14.2.6 und 14.3  
(Staubkammer und Strahldüse 12,5 mm)

Auftraggeber: Fa. WISTRO Elektro-Mechanik GmbH  
Karl-Kellner-Str. 105 a  
30853 Langenhagen

Prüfgegenstand: Fremdlüfteraggregat Bg 63 bis 200 -Reihe IL

Prüfergebnis: **1. Fremdkörperschutz**

Staubeintritt                      nein

**2. Wasserschutz**

Wassereintritt:                      nein

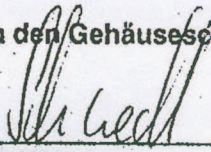
Bearbeiter: Dr. Ing. M. Rusch / H. Lenz

Auftragsnummer: 7512 PE 00900

Prüfdatum: 09.05.2000

**Der Prüfgegenstand erfüllt die Anforderungen an den Gehäuseschutzgrad IP 66**

Hannover, 17.05.2000  
Ort, Datum

  
Der Leiter des Prüflabors  
Explosionsgeschützte Betriebsmittel  
und Überwachungseinrichtungen

Die auszugsweise Vervielfältigung dieser Bescheinigung und die Verwendung zu Werbezwecken bedarf der schriftlichen Genehmigung des Prüflaboratoriums.  
Diese Bescheinigung stellt das Ergebnis der Prüfung an dem vorgestellten Prüfgegenstand dar. Eine allgemein gültige Aussage über die Qualität der Produkte aus der laufenden Fertigung kann daraus nicht abgeleitet werden.

**Volumenstrom [m<sup>3</sup>/h], Baureihe IL**  
**Air current capacity [m<sup>3</sup>/h], type IL**  
**Courant en volumes [m<sup>3</sup>/h], version IL**  
**Caudal volumétrico [m<sup>3</sup>/h], variante de serie IL**  
**Portata in volume[m<sup>3</sup>/h], serie IL**

Bg Frame size HA Tamaño mod.	400V 50Hz	460V 60Hz	400V 50Hz	460V 60Hz	400V 50Hz	460V 60Hz
	3 ~ Y 2-polig	3 ~ Y 2-polig	3 ~ Y 4-polig	3 ~ Y 4-polig	3 ~ Δ 4-polig	3 ~ Δ 4-polig
63	54	69	/	/	/	/
71	78	98	/	/	/	/
80	127	148	/	/	/	/
90	200	240	/	/	/	/
100	260	310	/	/	/	/
112	337	411	168	200	/	/
132	532	633	278	330	/	/
160	935	1068	507	607	/	/
180	1145	1270	604	680	/	/
200	1263	1450	640	760	/	/
204	/	/	990	1163	1051	1271
225	/	/	1123	1295	1180	1415
249	/	/	1350	1570	1450	1732
250	/	/	1666	1885	1839	2190
280	/	/	2116	2461	2404	2840
315	/	/	2662	2943	2848	3350

mit b-seitigem Referenzlagerschild  
 with bearing shield of reference on side b  
 avec de référence flasque latérale b  
 placa de referencia en el lado b  
 con targhetta cuscinetti di riferimento lato b

**Schalldruckpegel [dB(A)], Baureihe IL**  
**noise level [dB(A)], type IL**  
**niveau de pression acoustique [dB(A)], version IL**  
**Nivel sonoro [dB(A)], variante de serie IL**  
**Livello di pressione acustica [dB(A)], serie IL**

Bg Frame size HA Tamaño mod.	400V 50Hz	460V 60Hz	400V 50Hz	460V 60Hz	400V 50Hz	460V 60Hz
	3 ~ Y 2-polig	3 ~ Y 2-polig	3 ~ Y 4-polig	3 ~ Y 4-polig	3 ~ Δ 4-polig	3 ~ Δ 4-polig
63	47	55	/	/	/	/
71	51	57	/	/	/	/
80	55	59	/	/	/	/
90	58	66	/	/	/	/
100	59	70	44	51	/	/
112	61	70	44	49	/	/
132	69	75	54	59	/	/
160	74	77	57	63	/	/
180	75	80	59	64	/	/
200	75	81	60	66	/	/
204	/	/	65	70	66	72
225	/	/	64	70	66	71
249	/	/	65	69	66	72
250	/	/	70	71	70	76
280	/	/	69	72	71	77
315	/	/	70	73	72	77

mit b-seitigem Referenzlagerschild  
 with bearing shield of reference on side b  
 avec de référence flasque latérale b  
 placa de referencia en el lado b  
 con targhetta cuscinetti di riferimento lato b

**Spannungseinsatz- Bereich, Baureihe IL**  
**Range of operating voltage, type IL**  
**Intervalle de mises sous tension, version IL**  
**Rango de ajuste de tensión, variante de serie IL**  
**Campo di applicazione della tensione, serie IL**

Drehstrommotor, zweipolig 3~230V/400V  
 Three phase alternating current motor, bipolar 3~230V/400V  
 Moteur à courant triphasé, bipolaire 3~230V/400V  
 Motor trifásico, dos polos 3~230V/400V  
 Motore a corrente trifase, a due poli 3~230V/400V

Betriebsart Mode Couplage Modo de funcionamiento Modalità operativa	Bg Frame size HA Tamaño mod.	Lüfterdurchmesser Blower diameter Diamètre des ventilateurs Diámetro del ventilatore Diámetro del ventilatore	Spannungsbereich Range of voltage Plage de tension Rango de tensiones Campo di tensione	Max. zulässiger Strom Max. permissible current Courant max. admissible Corrente massima permitita Corrente massima consentita	max. Leistungsaufnahme max. power input max. puissance absorbée Consumo máxima de energía Potenza massima assorbita
		(mm)	50Hz 60Hz	(A)	(W)
1~ Δ	63	118	230-277 230-277	0,12	32
	71	132	230-277 230-277	0,12	33
	80	150	230-277 230-277	0,14	37
	90	169	220-277 220-277	0,29	65
	100	187	220-277 220-277	0,30	75
	112	210	220-277 220-277	0,37	94
	132	250	230-277 230-277	0,57	149
	160-200	300	230-277 -----	0,97	253
	3~ Y	63	118	346-525 380-575	0,07
71		132	346-525 380-575	0,06	31
80		156	346-525 380-575	0,06	34
90		169	346-525 380-575	0,22	91
100		187	346-525 380-575	0,22	91
112		210	346-525 380-575	0,20	103
132		250	346-525 380-575	0,33	148
160-200		300	346-525 380-575	0,56	360
3~ Δ		63	118	200-303 220-332	0,12
	71	132	200-303 220-332	0,11	31
	80	156	200-303 220-332	0,11	34
	90	169	200-303 220-332	0,38	91
	100	187	200-303 220-332	0,37	91
	112	210	200-303 220-332	0,35	103
	132	250	200-303 220-332	0,58	148
160-200	300	200-303 220-332	0,93	360	

mit b-seitigem Referenzlagerschild /with bearing shield of reference on side b /avec de référence flasque latérale b / placa de referencia en el lado b /con targhetta cuscinetti di riferimento lato b

**Spannungseinsatz- Bereich, Baureihe IL**  
**Range of operating voltage, type IL**  
**Intervalle de mises sous tension, version IL**  
**Rango de ajuste de tensión, variante de serie IL**  
**Campo di applicazione della tensione, serie IL**

Drehstrommotor, vierpolig 3~230V/400V  
 Three phase alternating current motor, quadripolar 3~230V/400V  
 Moteur à courant triphasé, quadripolaire 3~230V/400V  
 Motor trifásico, cuatro polos 3~230V/400V  
 Motore a corrente trifase, a quattro poli 3~230V/400V

Betriebsart Mode Couplage Modo de funcionamiento Modalità operativa	Bg Frame size HA Tamaño mod.	Lüfterdurchmesser Blower diameter Diamètre des ventilateurs Diametro del ventilatore Diametro del ventilatore	Spannungsbereich Range of voltage Plage de tension Rango de tensiones Campo di tensione	Max. zulässiger Strom Max. permissible current Courant max. admissible Corrente massima permitida Corrente massima consentita	max. Leistungsaufnahme max. power input max. puissance absorbée Consumo máxima de energía Potenza massima assorbita	
		(mm)	50Hz	60Hz	(A)	(W)
1~ $\Delta$	90	169	230-277	230-277	0,16	40
	100	187	230-277	230-277	0,16	41
	112	210	230-277	230-277	0,16	42
	132	250	230-277	230-277	0,28	67
	160-200	300	230-277	230-277	0,45	112
3~ Y	90	169	346-525	380-575	0,10	51
	100	187	346-525	380-575	0,10	51
	112	210	346-525	380-575	0,10	51
	132	250	346-525	380-575	0,21	81
	160-200	300	346-525	380-575	0,35	118
	204-249	375	346-525	380-575	0,43	262
	250-450	470	346-525	380-575	0,83	505
3~ $\Delta$	90	169	200-303	220-332	0,18	51
	100	187	200-303	220-332	0,17	51
	112	210	200-303	220-332	0,17	51
	132	250	200-303	220-332	0,38	81
	160-200	300	200-303	220-332	0,62	118
	204-249	375	200-400	220-400	1,10	285
	250-450	470	200-400	220-400	1,95	540

Hinweis: Bg204 > ohne Stufenrohr mit Lüfter 375mm  
 Bg249 > wie Bg250 jedoch noch mit Lüfter 375mm

mit b-seitigem Referenzlagerschild /with bearing shield of reference on side b /avec de référence flasque latérale b / placa de referencia en el lado b /con targhetta cuscinetti di riferimento lato b