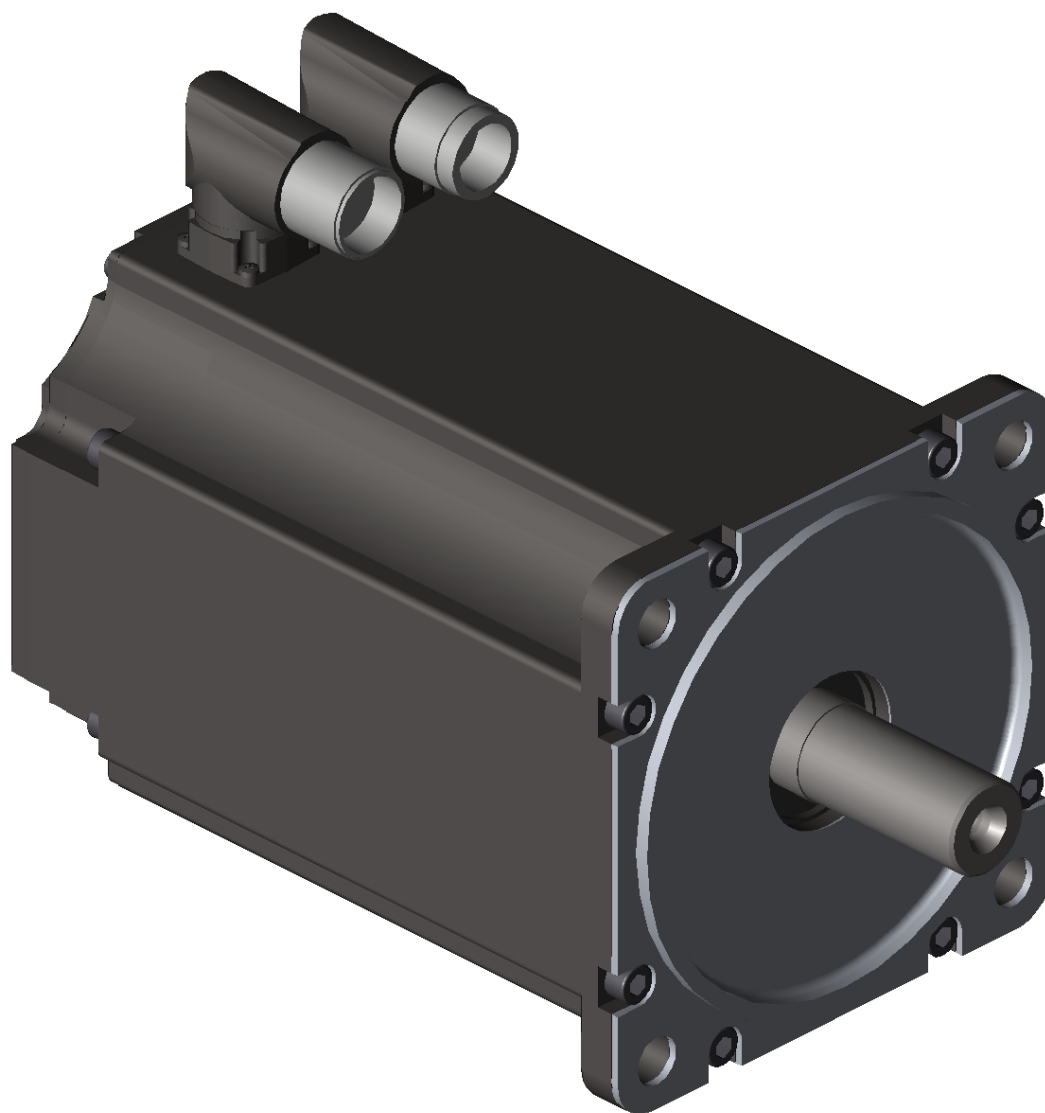


# Product data sheet

## 8LSA55.EA030D000-3

PERFECTION IN AUTOMATION  
[www.br-automation.com](http://www.br-automation.com)



# Configuration settings

Feature	Value
<b>Motor basic data</b>	
Cooling type	A
Size	5
Version	3
Length	5
Encoder system	EA
Nominal speed	3000
<b>Motor options</b>	
Connection type	Two-cable solution
Connection direction	Angled (swivel connector)
Swivel range of motor connector	Clockwise
Please enter the angle	0
Swivel range of encoder connector	Clockwise
Please enter the angle	0
Oil seal	No
Bearing	Standard bearing
Shaft design	Smooth shaft
Holding brake	No brake
Order key: 8LSA55.EA030D000-3	
<b>Gearbox configuration</b>	
Gearbox	Without

## Attachments / CAD files

8LSA55\_EA030D000\_3\_3\_front.dwg (DWG 14)

8LSA55\_EA030D000\_3\_3\_left.dwg (DWG 14)