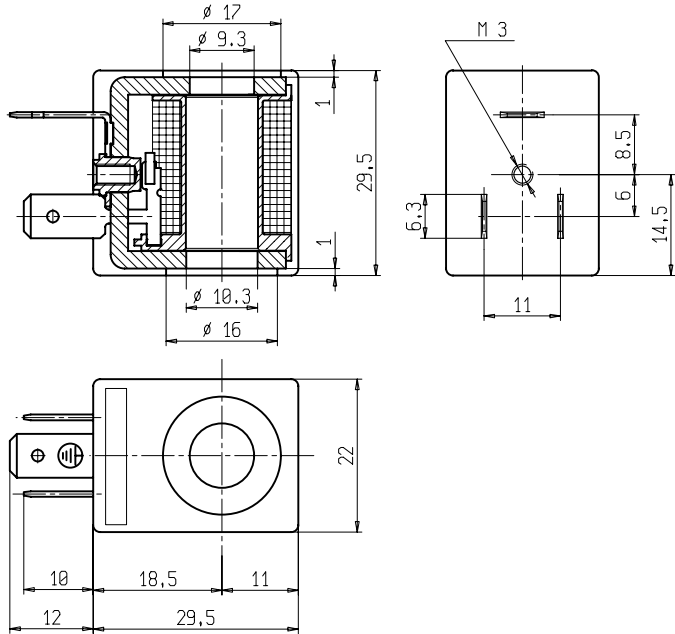




COIL

Spade terminals (DIN 46340)

Z8..



► GENERAL FEATURES

Complying with 73/23/EC directive and relative modification 93/68/EC.
Complying with VDE 0580 standard (100% inspected).

► ELECTRIC CONNECTIONS

Spade terminals 6,3 x 0,8 (DIN46340), 2 line + 1 earth terminals.
3 poles plug connector.

► ENCAPSULATION MATERIALS

Z830: PET (polyethylene terephthalate) fiberglass reinforced (black colour)
Z833: PBT (polybutylene-terephthalate) self-extinguishing fiberglass reinforced (black colour).

► TECHNICAL FEATURES

Continuous duty ED 100%
Coil impregnation Polyester resin
Insulation class **Z830:** F (155°C)
Z833: A (105°C)
Ambient temperature -10°C +60°C
Protection degree IP 65 (EN 60529) with plug connector
Voltages DC 12-24V (+10% -5%)
AC 24V/50Hz – 110V/50Hz (120V/60Hz) - 230V/50Hz (+10% -15%)
(Other voltages and frequencies on request).

| TYPE | POWER ABSORPTION | | | NOTES | WEIGHT (kg) |
|-------|------------------|---------|--------|-------|-------------|
| | AC (VA) | | DC (W) | | |
| | Inrush | Holding | | | |
| Z830A | 10 | 7 | 6 | - | 0,060 |
| Z830B | 3,5 | 2 | 1,5 | | |
| Z830C | 6 | 3,5 | 3 | | |
| Z833A | 10 | 7 | 6 | 1 | |

► NOTES

1 - UL APPROVAL (E153691)

THE VALIDITY OF REPORTED DATA IS REFERRED TO THE DATE OF ISSUE. POSSIBLE UPDATING ARE AVAILABLE ON REQUEST.

01100404