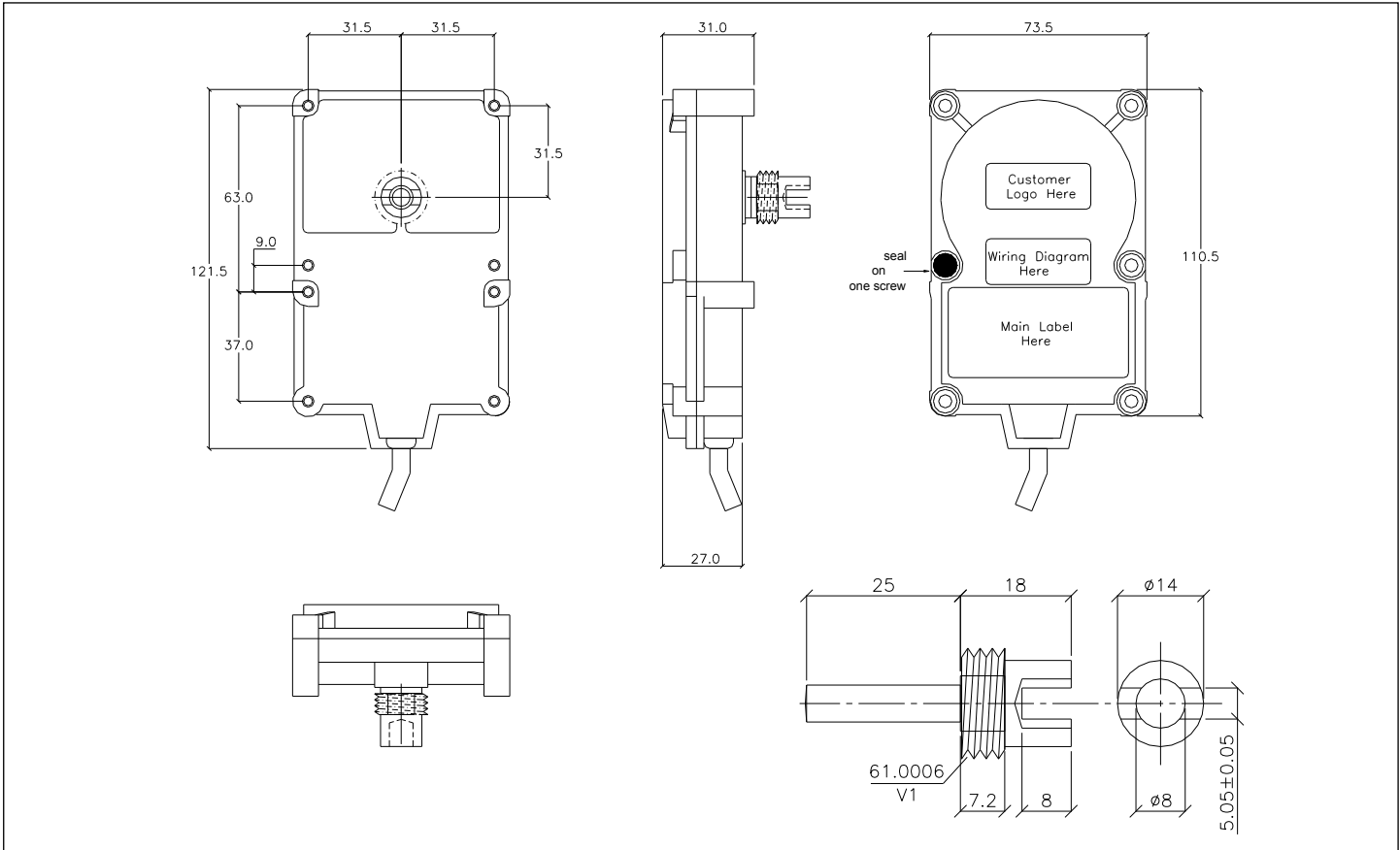


Encoder type:	01 - 08 - U, 2 x 50, 5 - 24VDC, PNP O.C.	Rev.	06
Bracket Assembly Parts		Software no.	
		PCB no.	07.1512A
		Coupling Assembly Parts	62.0089
Totalizer	No.	Gearbox Type	No.
		Flexcable	No.



W & M Approval	PTB no. 5.552-92.13	EMC Approval	EN61000-6-4, EN61000-6-2
Safety Approval	TÜV 13 ATEX 131621 X, IECEx TUN 14.0024X	Approval type	II 2G Ex d IIB T6 Gb
Working temp.	- 30°C to +70°C	Approved Temp.	- 25°C to +60°C
Sealing	1 Cover screw sealed	Labels	59.2438 - 59.2003 - 59.2281

Pulse form	Squarewave 500µsec ±10% normal state high	Power supply	5 - 24VDC
Phase shift	Ch1 - Ch2 - 50% ± 5%	Current / no load	40 mA
El. Cable no.	09.4900	Output stage	PNP - O.C. with series resistor - 270Ω
El. Cable type	3.0 meter with 4 core + shield	output load max.	30 mA per channel
Shield	shield connected to housing	Output signal	2 x 50 Pulse/rev CCW adjusted
+VDC	Green	0VDC	Brown
Ch 1	White	Ch 2	Yellow
Ch 3		Function Select	

Rev. 04	24.01.14	Updated label. Removed customer part number
Rev. 05	05.03.15	Updated safety approvals
Rev. 06	21.01.16	Logo update