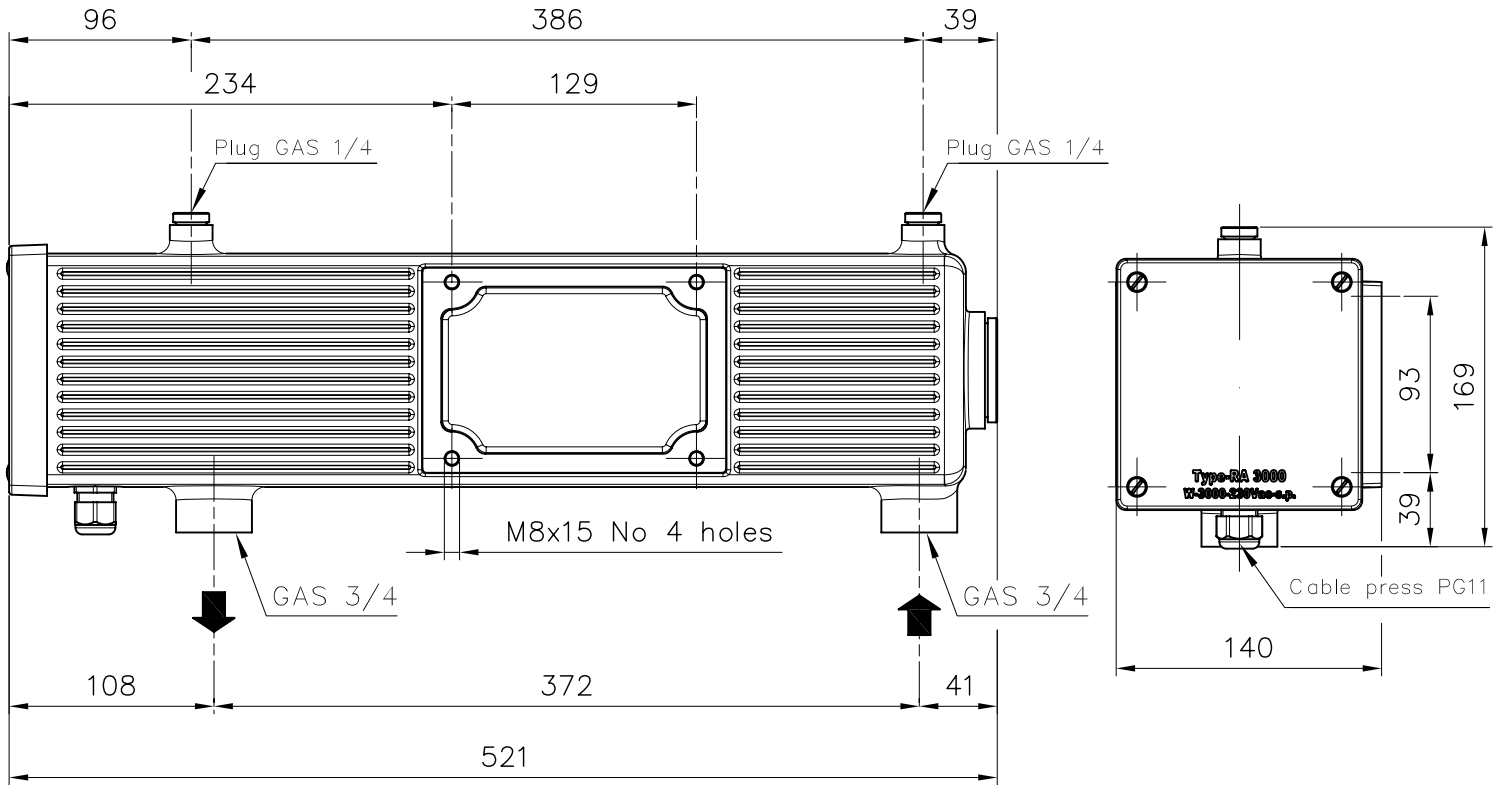


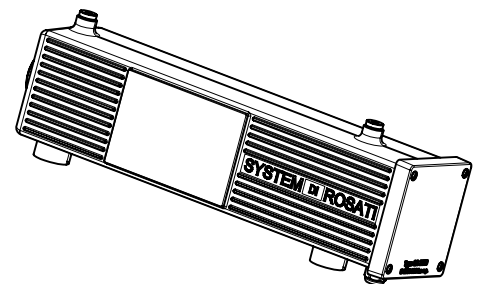
Water heater model RA 3000



Tolerances on the dimensions $\pm 3\text{mm}$

HEATER TECHNICAL SHEET

• Rated absorbed power	W	3000
• Power supply	Vac	230 50-60Hz M.
• Absorbed current	Amp.	13
• Insulation class		Classe 1
• Dielectric strength	V/sec	1500 / 3
• Protection class	IP	65
• Duty	ED	100%
• Max. settable temperature	°C	80 \pm 10%
• Safety thermostat setting	°C	100 \pm 10%
• Rated tank pressure	Bar	6
• Total weight	Kg	6.3
• Thermostat ON-OFF cycles	No	25000
NOTE: The number of cycles depends on the installation and on the atmospheric conditions		



The above data is strictly rated; a variation in any of the data leads to a consequent variation in all other data.

System di Rosati reserves the right to make changes to the dimensions and characteristics described on this data sheet without prior notice.

Requirements other than the above can be met upon request.