

MK04

COMPACT MOTORS

	C	A	B	C	D	E	N
		mm [in]	mm [in]	mm [in]	mm [in]	mm [in]	mm [in]
	1 1 1 0 1 2 3 4 P	Ø 175.7 [6.92 dia.]	Ø 225 [8.86 dia.]	Ø 265 [10.43 dia.]	253.45 [9.98]	Ø 334 [13.15 dia.]	Ø 24 [0.94 dia.]
	1 2 1 0 1 2 3 4 P	Ø 220.7 [8.69 dia.]	Ø 275 [10.83 dia.]	Ø 314 [12.36 dia.]	253.25 [9.97]	Ø 291 [11.46 dia.]	Ø 22 [0.87 dia.]
	1 7 1 0 1 2 3 4 P	Ø 220.7 [8.69 dia.]	Ø 275 [10.83 dia.]	Ø 314 [12.36 dia.]	253.25 [9.97]	Ø 334 [13.15 dia.]	Ø 22 [0.87 dia.]
	1 3 1 0 1 2 3 4 P	Ø 175.7 [6.92 dia.]	Ø 225 [8.86 dia.]	Ø 276 [10.87 dia.]	208.75 [8.22]	Ø 334 [13.15 dia.]	Ø 24 [0.94 dia.]
	1 4 1 0 1 2 3 4 P	Ø 220.7 [8.69 dia.]	Ø 254 [10.00 dia.]	Ø 285 [11.22 dia.]	163.2 [6.43]	Ø 334 [13.15 dia.]	Ø 17.5 [0.69 dia.]
	1 1 1 0 1 2 3 4 P	Ø 175.7 [6.92 dia.]	Ø 225 [8.86 dia.]	Ø 265 [10.43 dia.]	253.45 [9.98]	Ø 334 [13.15 dia.]	Ø 24 [0.94 dia.]
	1 2 1 0 1 2 3 4 P	Ø 220.7 [8.69 dia.]	Ø 275 [10.83 dia.]	Ø 314 [12.36 dia.]	253.25 [9.97]	Ø 291 [11.46 dia.]	Ø 22 [0.87 dia.]
	1 7 1 0 1 2 3 4 P	Ø 220.7 [8.69 dia.]	Ø 275 [10.83 dia.]	Ø 314 [12.36 dia.]	253.25 [9.97]	Ø 334 [13.15 dia.]	Ø 22 [0.87 dia.]
	1 3 1 0 1 2 3 4 P	Ø 175.7 [6.92 dia.]	Ø 225 [8.86 dia.]	Ø 276 [10.87 dia.]	208.75 [8.22]	Ø 334 [13.15 dia.]	Ø 24 [0.94 dia.]
	1 4 1 0 1 2 3 4 P	Ø 220.7 [8.69 dia.]	Ø 254 [10.00 dia.]	Ø 285 [11.22 dia.]	163.2 [6.43]	Ø 334 [13.15 dia.]	Ø 17.5 [0.69 dia.]
	1 2 1 0 1 2 3 4 P	Ø 220.7 [8.69 dia.]	Ø 275 [10.83 dia.]	Ø 314 [12.36 dia.]	253.25 [9.97]	Ø 291 [11.46 dia.]	Ø 22 [0.87 dia.]
	1 7 1 0 1 2 3 4 P	Ø 220.7 [8.69 dia.]	Ø 275 [10.83 dia.]	Ø 314 [12.36 dia.]	253.25 [9.97]	Ø 334 [13.15 dia.]	Ø 22 [0.87 dia.]
	1 3 1 0 1 2 3 4 P	Ø 175.7 [6.92 dia.]	Ø 225 [8.86 dia.]	Ø 276 [10.87 dia.]	208.75 [8.22]	Ø 334 [13.15 dia.]	Ø 24 [0.94 dia.]

T E C H N I C A L C A T A L O G



Methodology :

This document is intended for manufacturers of machines that incorporate Poclain Hydraulics products. It describes the technical characteristics of Poclain Hydraulics products and specifies installation conditions that will ensure optimum operation. This document includes important comments concerning safety. They are indicated in the following way:



Safety comment.

This document also includes essential operating instructions for the product and general information. These are indicated in the following way:



Essential instructions.



General information .



Information on the model number.Information on the model code.



Weight of component without oil.



Volume of oil.



Units.



Tightening torque.



Screws.



Information intended for Poclain-Hydraulics personnel.

The views in this document are created using metric standards.

The dimensional data is given in mm and in inches (inches are between brackets and italic)





CONTENT

MODEL CODE 5

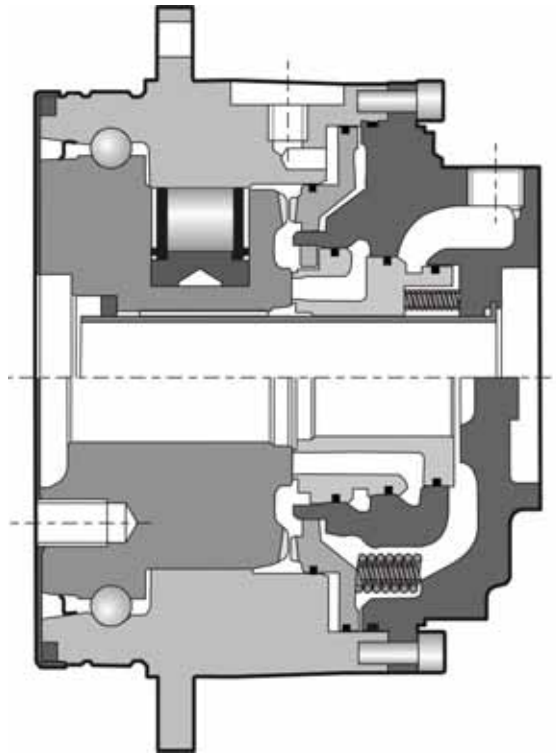
Model code

CHARACTERISTICS 6
Dimensions for standard 1-displacement motor 6
Load curves 7
Chassis mounting 8
Hydraulic connections 8
Immobilisator 9

Characteristics

OPTIONS 10

Options



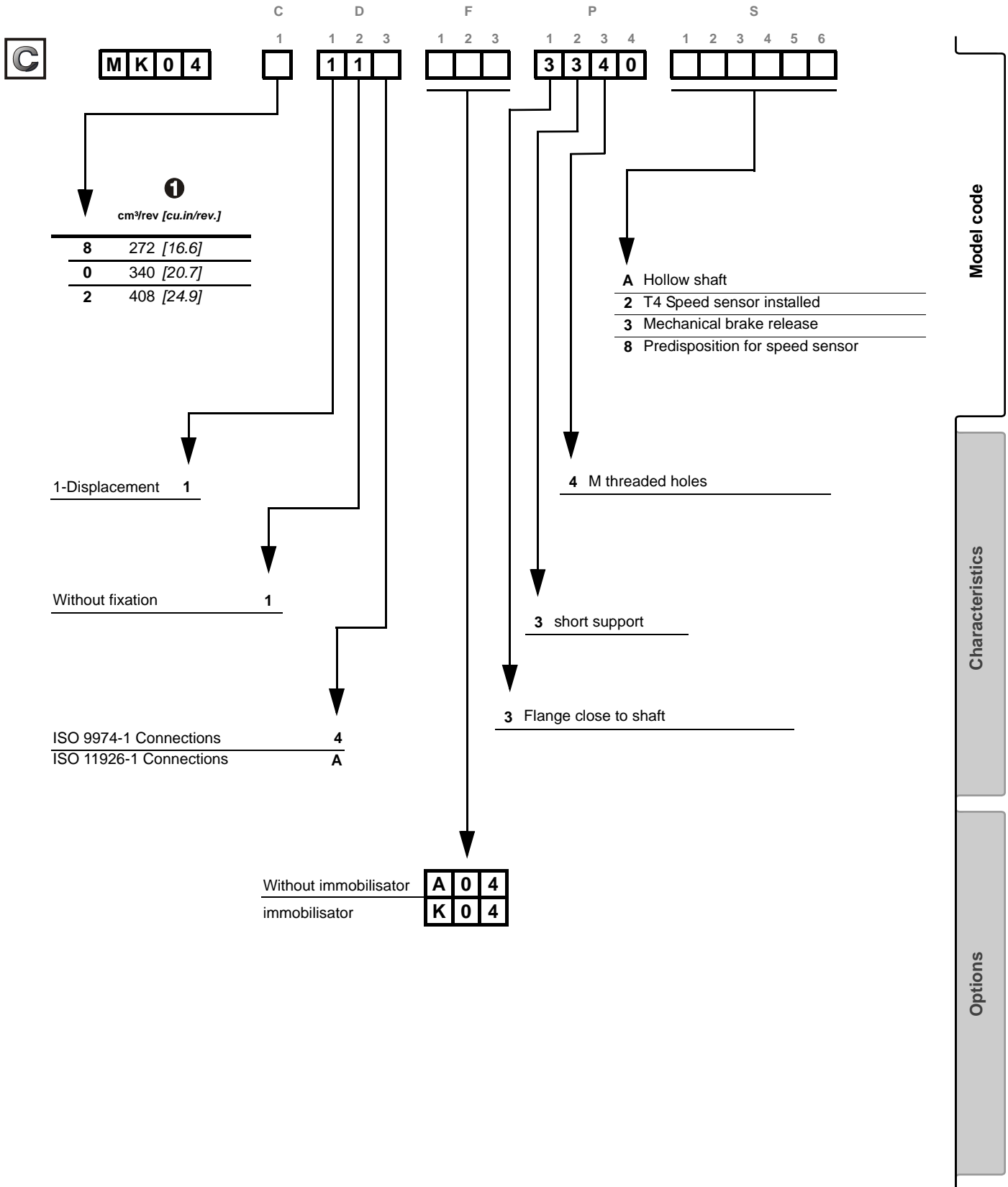
Motor Inertia **0.028 kg.m²**

C	① cm ³ /rev [cu.in./rev.]	Theoretical torque		Max.power ① kW [HP]	Max. speed ① rev/min	Max. pressure ① bar [PSI]
		at 100 bar Nm	at 1000 PSI [lb.ft]			
8	272 [16.6]	432	[220]	18 [24]	120	400 [5 800]
0	340 [20.7]	541	[275]		110	
2	408 [24.9]	649	[330]		100	

① First displacement

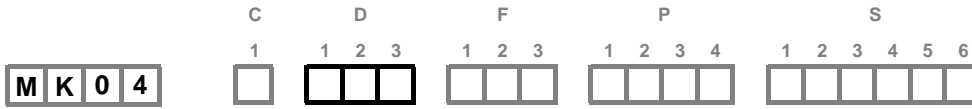


MODEL CODE



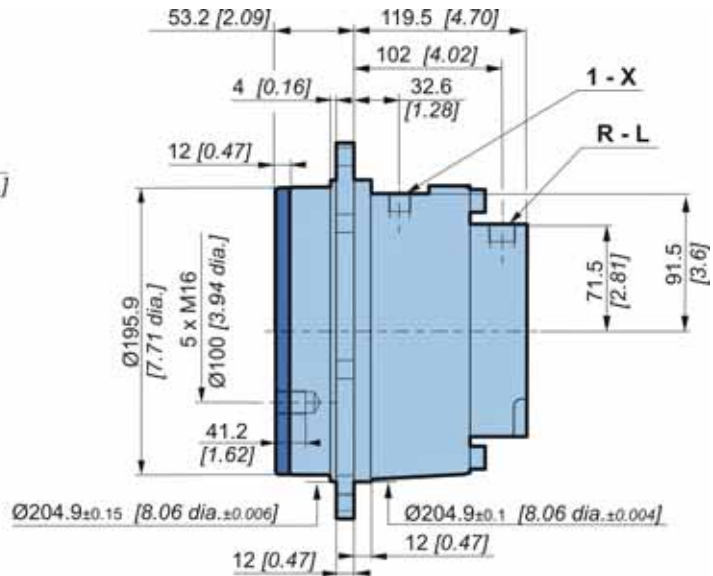
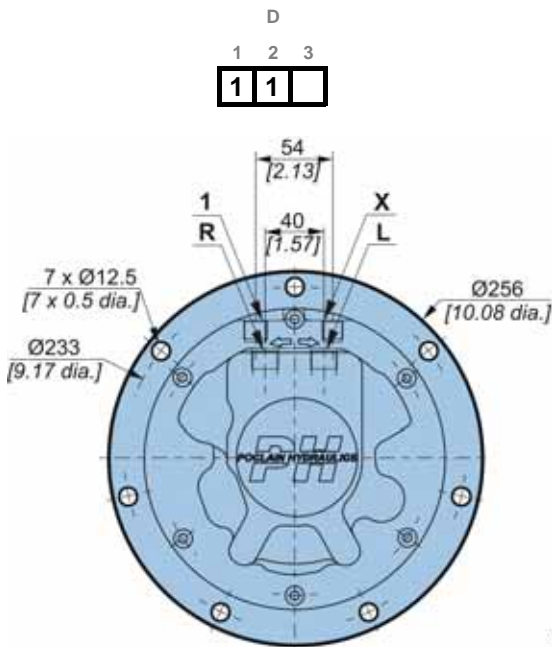


CHARACTERISTICS



Dimensions for standard 1-displacement motor

	30 kg [66 lb]	31 kg [68 lb]
	0.35 L [21 cu.in]	0.35 L [21 cu.in]



Rotating retaining screws

	Classe	N.m		[lb.ft]
5 x M16 x 2	12.9	355		[262]

(*) The tightening torques are given for the indicated loads.



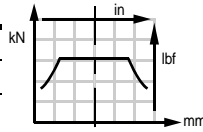
Load curves

Permissible radial loads

Test conditions :

Static : 0 rev/min 0 bar [0 PSI]

Dynamic : 0 rev/min, code 2 displacement, without axial load at max. torque

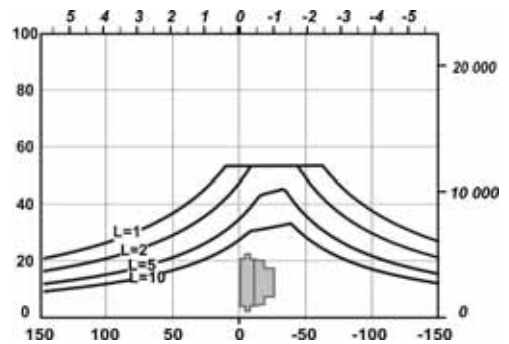
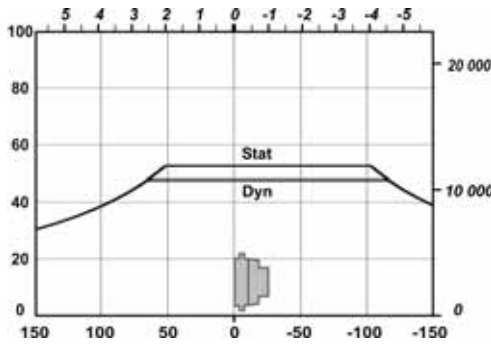


Service life of bearings

Test conditions :

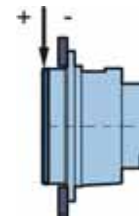
L : Millions B10 revolutions at 150 bars (average pressure), with 25 cSt fluid, code 0 displacement, without axial load.

3 3 4 0
1 2 3 4
P



The service life of the components is influenced by the pressure. You must check that the combination of forces applied (Axial load / Radial load) is compatible with the permissible loads for the components, and that the resulting service lives of these components complies with the application's specifications. For an accurate calculation, consult your Poclain Hydraulics application engineer.

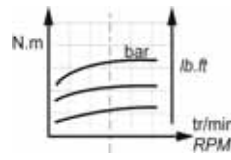
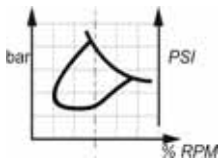
Load



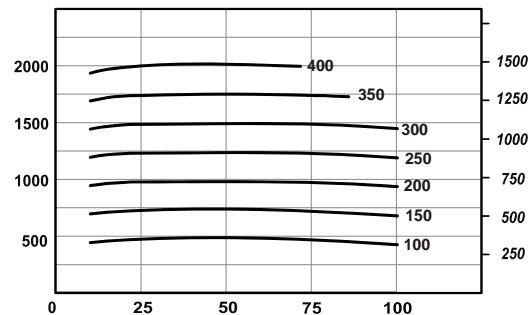
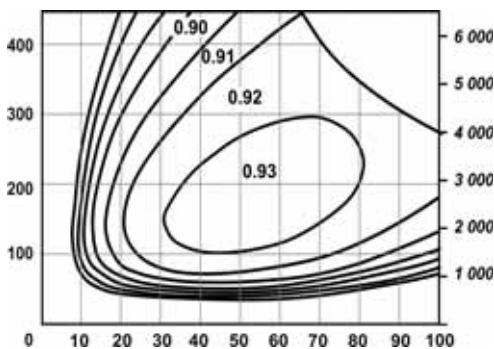
Efficiency

Overall efficiency

Average values given for guidance for code 2 displacement after 100 hours of operation with HV46 hydraulic fluid at 50°C [122°F].



Actual output torque



The starting torque is taken to be approximately 85% of the first value for available pressure. For a precise calculation, consult your Poclain Hydraulics application engineer.

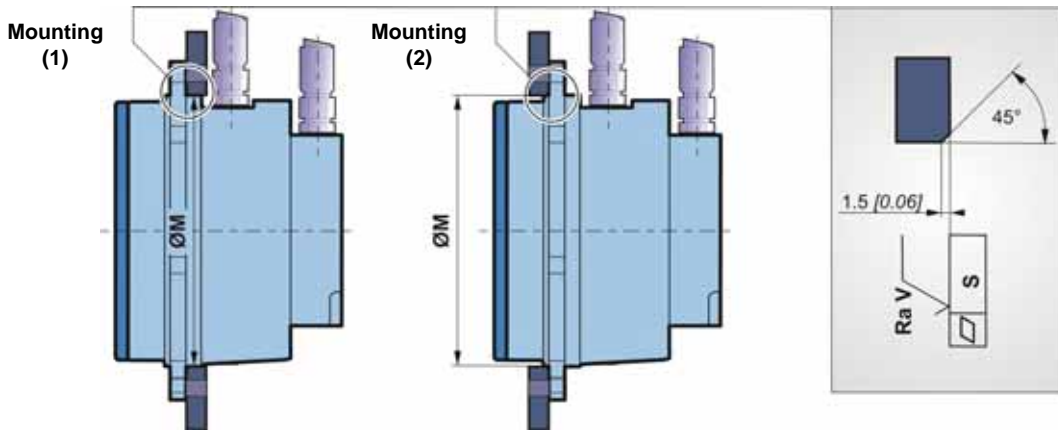
Model code

Characteristics

Options



Chassis mounting

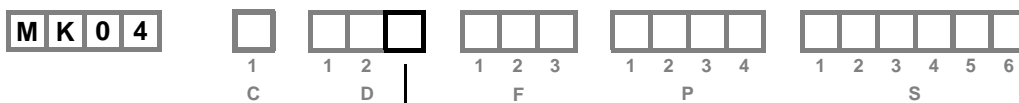
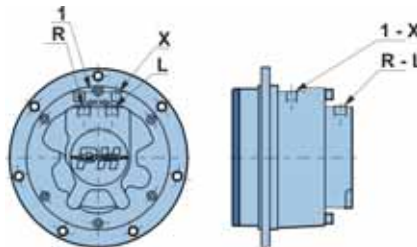


Take care over the immediate environment of the connections.

$\varnothing M$ (1)(2) mm [in]	S mm [in]	Ra V μm [μin]	7 x M12 x 1.75	Class of screw 12.9	N.m [lb.ft]
204.9 [8.07]	0.2 [0.01]	12.5 [0.49]			145 [107]

- (1) + 0.3 [+0.012]
+ 0.2 [+0.008]
- (2) + 0.4 [+0.016]
+ 0.3 [+0.012]

Hydraulic connections connections



	Old standards	Standards	Power supply R,L	Drainage 1	Control of brake X
A	SAEJ514	ISO 11 926-1	3/4" - 16 UNF	9/16" - 18 UNF	1/2" - 20 UNF
4	DIN 3 852 NFE 48 050	ISO 9 974-1	M22 x 1.5	M16 x 1.5	M14 x 1.5

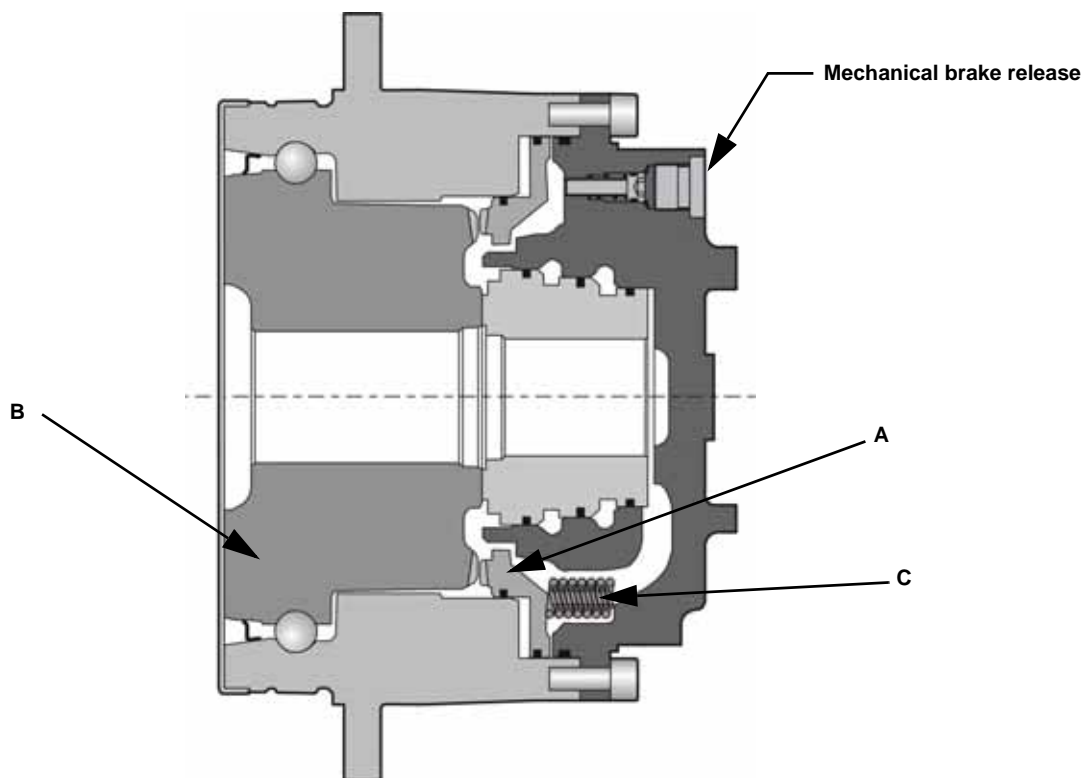
Do not put either a check valve or a poppet valve on the pilot line.

To find the connections' tightening torques, see the brochure "Installation guide" N° 801478197L.



You are strongly advised to use the fluids specified in brochure "Installation guide" N° 801478197L.

Immobilisator



Principle:

This static brake consists of two toothed parts, one mobile (A), and the other fixed (B). When stationary, with no pressure, a spring (C) pushes the mobile part to mesh with the teeth of the cylinder block to immobilise it.

Parking brake torque with 0 bars in the housing (new brake)	3 170 Nm [2 338 lb.ft]
Minimum brake release pressure	17 bar [246.6 PSI]
Maximum brake release pressure	30 bar [435.1 PSI]
Capacity	23 cm ³ [1.4 cu.in]
Brake release capacity	14 cm ³ [0.8 cu.in]

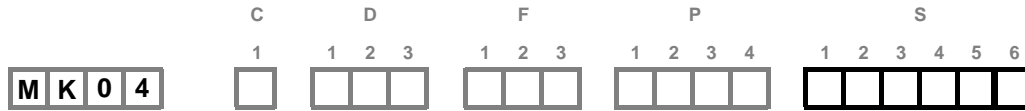
Model code

Characteristics

Options



OPTIONS



You can accumulate more than one optional part. Consult your Poclain Hydraulics sales engineer.

2 - 8 - Installed speed sensor or predisposition

Designation

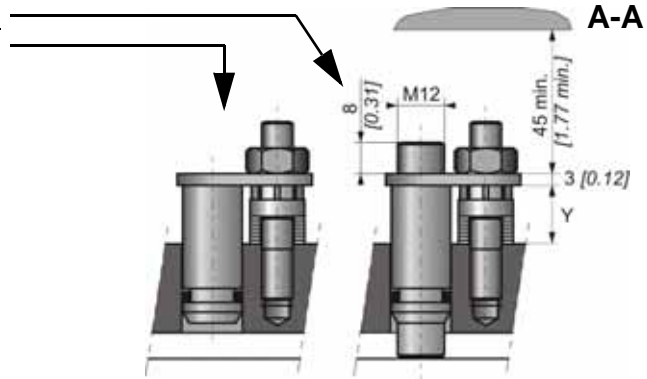
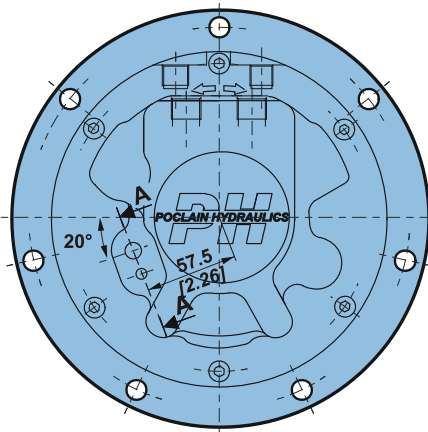
T4 Speed sensor installed

Predisposition for speed sensor



2

8



Max. length Y= 12.5

Standard number of pulses per revolution= 64



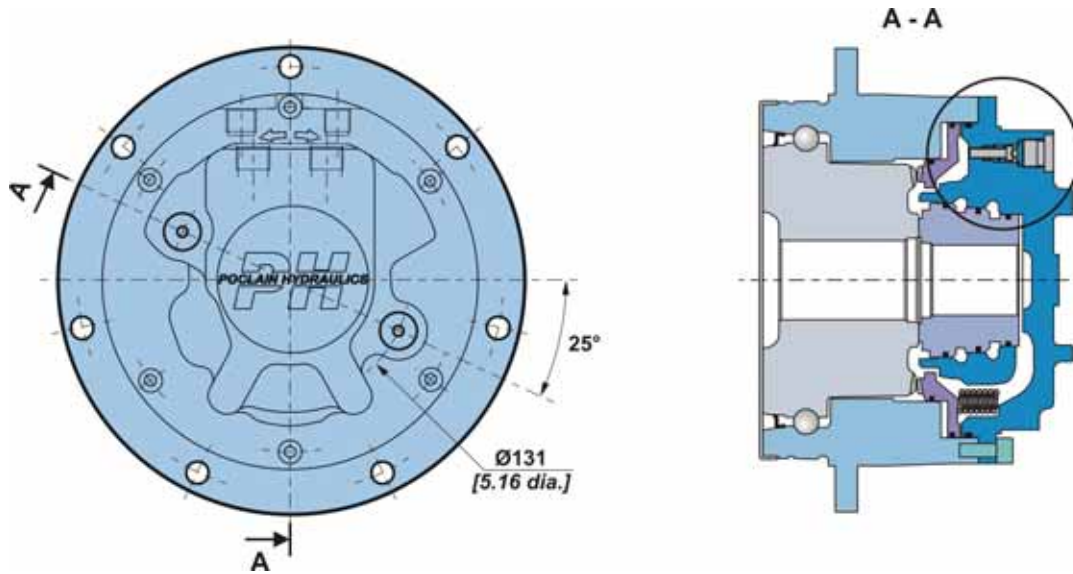
Look at the "Mobile Electronic" N° A01889D technical catalogue for the sensor specifications and its connection.



To install the sensor, see the "Installation guide" brochure No. 801478197L.

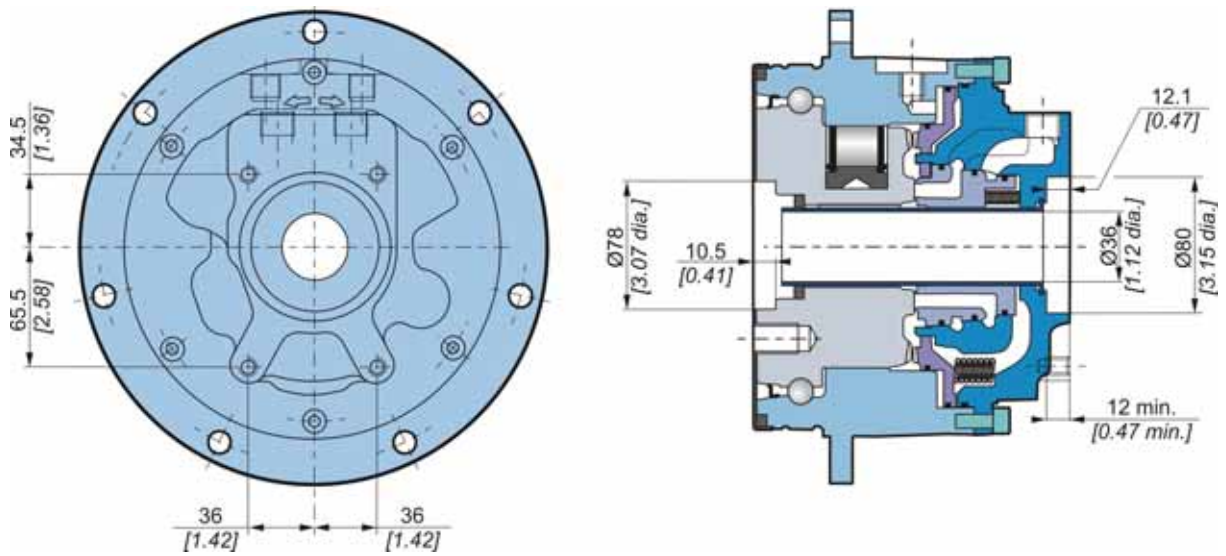


3 - Mechanical brake-release





Refer to the "Installation guide" catalogue, N° 801478197L.

A - Hallow shaft



Mounting bolt for high speed motor

	Classe	N.m	 [lb.ft]
4 x M8 x 1.25	10.9	295	[218]

(*) The tightening torques are given for the indicated loads.

Model code

Characteristics

Options

Thirteen subsidiaries and a worldwide network
of more than 150 distributors and partners ...



	08/01/2013
	801 578 135P
	801 578 146B
	801 578 157N
	801 578 168A
	801 578 179M
	A51812S
	
	

Poclain Hydraulics reserves the right to make any modifications it deems necessary to the products described in this document without prior notification. The information contained in this document must be confirmed by Poclain Hydraulics before any order is submitted.

Illustrations are not binding.

The Poclain Hydraulics brand is the property of Poclain Hydraulics S.A.



More information on

