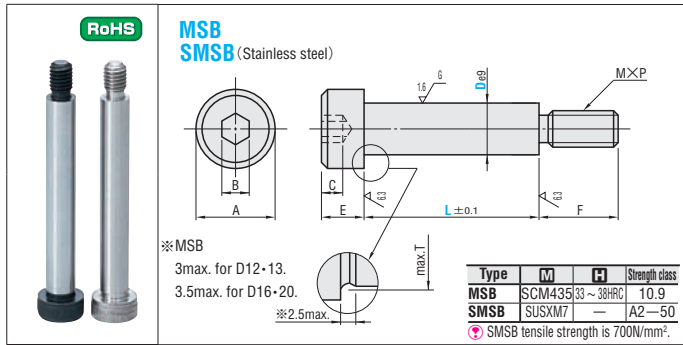


STRIPPER BOLTS, MALE THREADS

Rs The volume discount rate is also applicable to alteration costs. **P.39**



De9	A	B	C	E	F	M×P	T
4	6.5	2.5	1.6	3	5	2.5×0.45	4.5
4.5	7	2.5	1.6	3.5	6	3×0.5	5
5	8	3	2.2	4	7	4×0.7	6
5.5	9	3	2.2	4	7	4×0.7	6.5
6	10	4	2.5	5	9	5×0.8	7
6.5	10	4	2.5	5	9	5×0.8	7
8	13	5	3	6	9	6×1.0	8.7
10	16	6	4	8	12	8×1.25	10.8
12	17	6	4	8	12	8×1.25	12.8
13	18	8	5	10	16	10×1.5	14
16	24	10	7	14	18	12×1.75	17
20	27	14	9	18	24	16×2.0	21

Red figures in the price column indicate new added spec.

Catalog No.	Type	D	L (SMSB is available only for the sizes marked by *.)	Base unit price	
				MSB	SMSB
MSB	4	*10	*15 *20 *25 30 35 40	45	—
			*15 *20 *25 *30 *35 *40	45	101
	4.5	*10	*15 *20 *25 30 35 40	45	—
			*15 *20 *25 *30 *35 *40	45	109
	5	*10	*15 *20 *25 30 35 40	45	—
			*15 *20 *25 *30 *35 *40	45	118
	5.5	*10	*15 *20 *25 30 35 40	45	—
			*15 *20 *25 *30 *35 *40	45	126
	6	*10	*15 *20 *25 30 35 40	45 50 55 60 65 70	—
			*15 *20 *25 *30 *35 *40	45	151
	6.5	*10	*15 *20 *25 *30 *35 *40 *45	*45 *50 55 60 65 70 75 80	—
			*15 *20 *25 *30 *35 *40 *45	50 55 *60 *65 *70 *75 *80 85 90	189
	8	*10	*15 *20 *25 *30 *35 *40 *45	*50 *55 *60 *65 *70 *75 *80 85 90	—
			*15 *20 *25 *30 *35 *40 *45	95 100 110 120	206
	10	*10	*15 *20 *25 *30 *35 *40 *45 *50 *55	*60 *65 *70 *75	—
			*15 *20 *25 *30 *35 *40 *45 *50 *55	*80 *85 *90 95 100 110 120	277
12	10	15 20 25 30 35 40 45 50 55	60 65 70 75	—	
		15 20 25 30 35 40 45 50 55	80 85 90 95 100	294	
13	10	15 20 25 30 35 40 45 50 55 60 65 70	75 80 85 90 95 100	—	
		15 20 25 30 35 40 45 50 55 60 65 70	110 120 130	365	
16	10	15 20 25 30 35 40 45 50 55 60 65 70 75 80 85	90 95 100	—	
		15 20 25 30 35 40 45 50 55 60 65 70 75 80 85	110 120 130 140 150	—	
20	10	40 50 60 70 80 90 100	110 120 130 140 150	—	
		40 50 60 70 80 90 100	110 120 130 140 150	—	

Order **Catalog No.** — L
MSB 10 — 50

Dispatch **7** Days

Rs Price

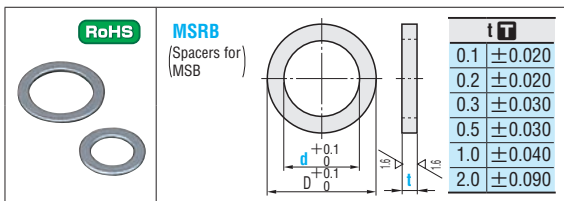
Quantity	1~49	50~199	200~500
Applicable price	Base unit price	Volume discount	Volume discount
Price list	5%	10%	10%

For larger orders, ask about prices/delivery.

●SMSB
Quantity 1 ~ 49 | 50 ~ 99 | 100 ~ 199 | 200 ~ 500
Discount rate (Base unit price) 5% | 10% | 18%
For larger orders, ask about prices/delivery.

Alterations **Catalog No.** — L (LC) — (FC) **9** Days
MSB 10 — LC50.1 — FC10.5

Alteration	Code	Spec.	Rs./Code
	LC	L dimension change (cutting) Full length (LC) tolerance is ±0.05. Lmin. ≤ LC ≤ Lmax. 0.1mm increments F dimension is produced using the standard dimension. To change the F dimension, combine with FC.	D 4 ~ 10 252 D12 ~ 16 336 D20 420
	FC	Thread part length change M ≤ FC ≤ M×3 0.5mm increments When D=4 only, 3 ≤ FC ≤ 7.5. Can be used only when combined with LC.	FC < F 0 FC > F 50

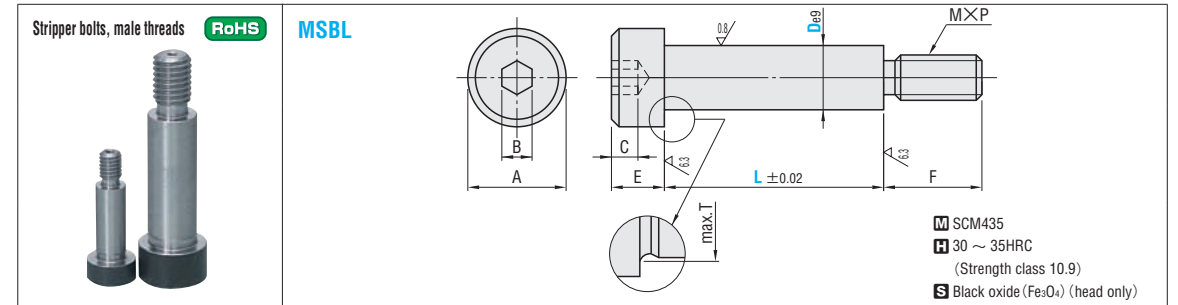


D	d	Catalog No.	t
6.5	4	*4	0.1
7	4.5	4.5	0.2
8	5	*5	0.3
9	5.5	5.5	0.5
9	6	*6	1.0
10	6.5	6.5	2.0
13	8	8	—
16	10	10	—
17	12	*12	—
18	13	13	—
24	16	16	—
27	20	20	—

t=2.0 is not available for sizes marked with *.
For delivery and prices **P.728**

STRIPPER BOLTS, MALE THREADS / STROKE EXTENSION RETAINERS FOR STRIPPER BOLTS

— Precision L dimension type —



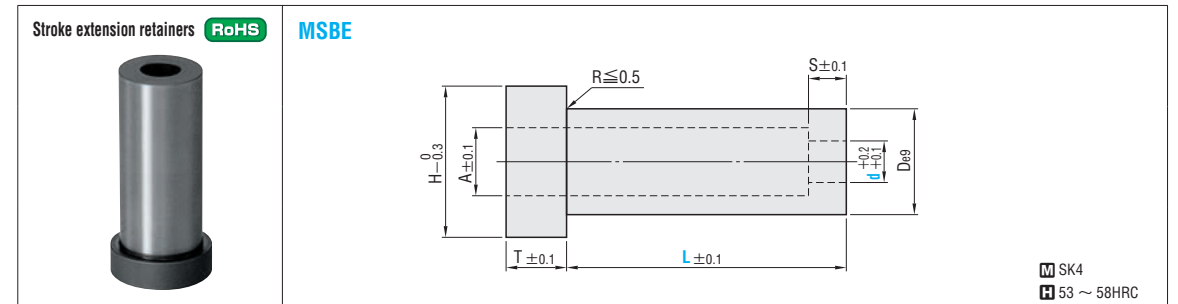
De9	A	B	C	E	F	M×P	T	Catalog No.		1mm increments		Base unit price
								Type	D	L	1~19	
6.5	10	4	2.5	5	9	M 5×0.8	7	MSBL	6.5	10 ~ 70	277	
8	13	5	3	6	9	M 6×1.0	8.7		8	10 ~ 90	294	
10	16	6	4	8	12	M 8×1.25	10.8		10	10 ~ 120	328	
13	18	8	5	10	16	M 10×1.5	14		13	10 ~ 130	445	
16	24	10	7	14	18	M 12×1.75	17		16	15 ~ 150	563	
20	27	14	9	18	24	M 16×2.0	21		20	15 ~ 150	748	
25	33	17	11	19	30	M 20×2.5	26		25	30 ~ 160	1,058	

The head is not knurled.

Order **Catalog No.** — L
MSBL 10 — 53

Rs Price For larger orders, ask about prices/delivery.

Dispatch **11** Days



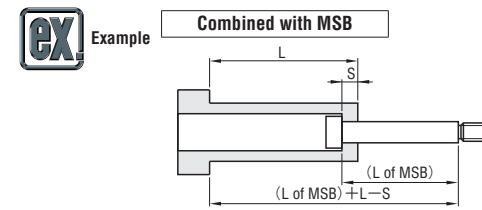
Size	Shaft diameter (D)	Head diameter (A)	Head thickness (E)	Thread (M)	H	T	A	S	De9	Catalog No.		L (Selection)
										Type	d	
MSB 8	8	13	6	M 6	25	6	14	8	18	MSBE	8	50 60 70 80 90
MSB10	10	16	8	M 8	27	8	17	10	22		10	
MSB13	13	18	10	M 10	30	10	19	13	25		13	
MSB16	16	24	14	M 12	37	15	25	16	32		16	

Order **Catalog No.** — L
MSBE 8 — 50

Rs Price **Volume discount price** **P.37**
Quantity 1 ~ 9 | 10 ~ 19 | 20 ~ 49 | 50 ~ 100
Discount rate (Base unit price) 5% | 10% | 15%
For larger orders, ask about prices/delivery.

Dispatch **9** Days

Catalog No.	Type	Base unit price 1 ~ 9 pieces				
		d	L50	L60	L70	L80
MSBE	8	1,159	1,210	1,285	1,378	1,487
	10	1,218	1,268	1,344	1,436	1,546
	13	1,579	1,630	1,705	1,798	1,907
	16	1,680	1,730	1,806	1,898	2,008



The use of MSBE allows a long stripper stroke to be set even when the die height is low.