



# MVE 700/15N-50A0

Three Phases - 4 poles - 1500 RPM - 50 Hz  
230/400 Volt



Mechanical Features		Electric Features	
<b>General</b>		<b>General</b>	
Working Moment	<b>56.83</b> kgcm	Nominal Voltage	$\Delta$ : <b>230 V</b> <b>Y</b> : <b>400 V</b>
Unbalance	<b>28.42</b> kgcm	Input Power	<b>0.62</b> kW
FC	<b>714</b> kg	Current A Max	$\Delta$ : <b>2.3 A</b> <b>Y</b> : <b>1.32 A</b>
<b>Bearings</b>		Power factor	<b>0.83</b>
TYPE (SKF)	<b>6306 2Z</b>	Ia/In	<b>3</b>
Life(h)	100% <b>3063</b>	<b>Certification</b>	
	80%: <b>5982</b>	ATEX II 3D Ex	<b>T 100°</b>
	50%: <b>24502</b>	tD A22 IP66	
<b>Bearing Grease</b>		Amb Temp.	<b>-20 ≤ T°C ≤ + 40</b>
Lube Schedule (g)			
Lube Replacement (g)			
Grease Type			

## Dimensional Features (mm)

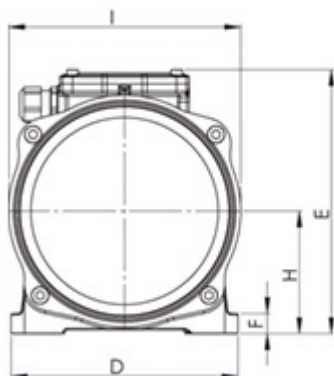
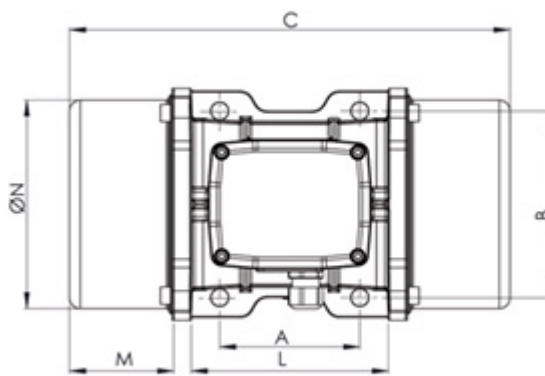


Fig. D1



A	<b>120</b>
B	<b>170</b>
C	<b>391</b>
M	<b>97</b>
G	<b>17</b>
holes	<b>4</b>
D	<b>208</b>
E	<b>210</b>
F	<b>19</b>
H	<b>96</b>
I	<b>185</b>
L	<b>192</b>
N	<b>170</b>

Clamping  
Torque(Nm)

**185**

[ [Drawings Download](#) ]

Weight(kg)    Screw    Washer    Cable Type    Cable Glante

**27.4**

**M16**

**17x30**

**4Gx2.5**

**M20x1,5**

REV.0-26/01/2017