

Preparation of compressed air ► Maintenance units and components

Filling unit, electrically operated, Series AS2-SSU

► G 1/4 - G 3/8 ► pipe connection



00119381_a

<p>Parts</p> <p>Version</p> <p>Nominal flow</p> <p>Nominal flow, 1►2</p> <p>Nominal flow, 2►3</p> <p>Working pressure min./max.</p> <p>Medium</p> <p>Medium temperature min./max.</p> <p>Ambient temperature min./max.</p> <p>Pilot</p> <p>Sealing principle</p> <p>Max. particle size</p> <p>Protection class,with Plug</p> <p>Duty cycle</p> <p>Materials:</p> <p>Housing</p> <p>Front plate</p> <p>Seals</p> <p>Threaded bushing</p>	<p>3/2-directional valve, electrically operated, Filling valve</p> <p>Poppet valve, Can be assembled into blocks</p> <p>1300 l/min</p> <p>1300 l/min</p> <p>380 l/min</p> <p>37 psi / 145 psi</p> <p>Compressed air</p> <p>Neutral gases</p> <p>+14 °F / +122 °F</p> <p>+14 °F / +122 °F</p> <p>internal</p> <p>Soft sealing</p> <p>25 µm</p> <p>IP65</p> <p>100 %</p> <p>Polyamide</p> <p>Acrylonitrile butadiene styrene</p> <p>Acrylonitrile Butadiene Rubber</p> <p>Die cast zinc</p>
---	---

Technical Remarks

- The pressure dew point must be at least 27 °F under ambient and medium temperature and may not exceed 37 °F.
- Builds up pressure slowly in the pneumatic systems, i.e. prevents a sudden pressure build-up during a restart after a mains pressure failure or avoids emergency OFF switching. This also avoids dangerous, jerky cylinder movements.
- Do not position filling valves or filling units upstream of open consumers, such as nozzles, air barriers, air curtains, since these may prevent through connection of components.

Operating voltage			Power consumption	Switch-on power		Holding power	
DC	AC 50 Hz	AC 60 Hz		DC	AC 50 Hz	AC 60 Hz	AC 50 Hz
			W	VA	VA	VA	VA
24 V	-	-	2	-	-	-	-
-	110 V	110 V	-	2.2	1.6	1.6	1.4
-	220 V	230 V	-	2.2	1.6	1.6	1.4

	Port	Exhaust	Operational voltage			Qn	Electr. connection	Weight	Part No.		
			DC	AC 50 Hz	AC 60 Hz						
										1►2	2►3
	G 1/4 G 1/4 G 3/8 G 3/8	G 1/4	-	-	-	1.3	1.3	0.38	-	0.9347	R412006277 R412006286 R412006282 R412006287
								[Cv]		[lbs]	

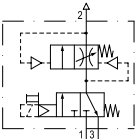
All dimensions in mm, unless specified otherwise.

Part numbers marked in bold are available from the central warehouse in Germany, see the shopping basket for more detailed information

Pneumatics catalog, online PDF, as of 2016-12-06, ©AVENTICS S.à r.l., subject to change

Filling unit, electrically operated, Series AS2-SSU

► G 1/4 - G 3/8 ► pipe connection

	Port	Ex-haust	Operational voltage			Qn			Electr. connection	Weight	Part No.
			DC	AC 50 Hz	AC 60 Hz	1►2	2►3	[Cv]			
	G 1/4		24 V	-	-				Plug ISO 15217, form C	R412006278	
	G 1/4		-	110 V	110 V				Plug ISO 15217, form C	R412006279	
	G 1/4		-	220 V	230 V				Plug ISO 15217, form C	R412006280	
	G 3/8	G 1/4	24 V	-	-	1.3	1.3	0.38	Plug ISO 15217, form C	R412006283	
	G 3/8		-	110 V	110 V				Plug ISO 15217, form C	R412006284	
	G 3/8		-	220 V	230 V				Plug ISO 15217, form C	R412006285	
	G 1/4		24 V	-	-				Plug M12x1	R412006383	

Part No.	Fig.	Note
R412006277	Fig. 1	3); 4); 7)
R412006286	Fig. 2	3); 5); 7)
R412006282	Fig. 1	3); 4); 7)
R412006287	Fig. 2	3); 5); 7)
R412006278	Fig. 3	2); 6); 8)
R412006279	Fig. 3	2); 6); 8)
R412006280	Fig. 3	2); 6); 8)
R412006283	Fig. 3	2); 6); 8)
R412006284	Fig. 3	2); 6); 8)
R412006285	Fig. 3	2); 6); 8)
R412006383	Fig. 4	1); 2); 6); 8)

1) With adjustment screw lock

2) IP65

3) Suitable for use in Ex zones 1, 2, 21, 22

4) Basic valve without pilot valve

5) Basic valve without pilot valve, with CNOMO subbase

6) Basic valve with pilot valve

7) ATEX optional

8) suitable for ATEX

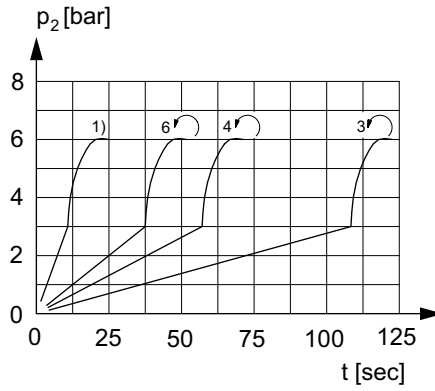
Nominal flow Qn with secondary pressure p2 = 87 psi at Δp = 14.5 psi

Preparation of compressed air ► Maintenance units and components

Filling unit, electrically operated, Series AS2-SSU

► G 1/4 - G 3/8 ► pipe connection

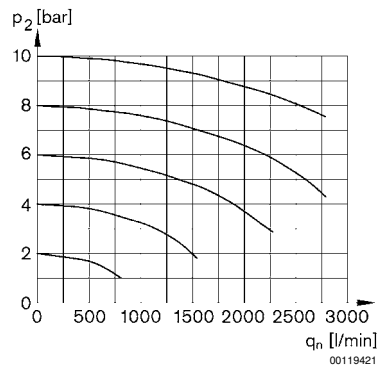
Secondary pressure while filling



00107182

adjustable filling
 1) Fully opened
 p₂ = secondary pressure
 t = fill time

Flow rate characteristic



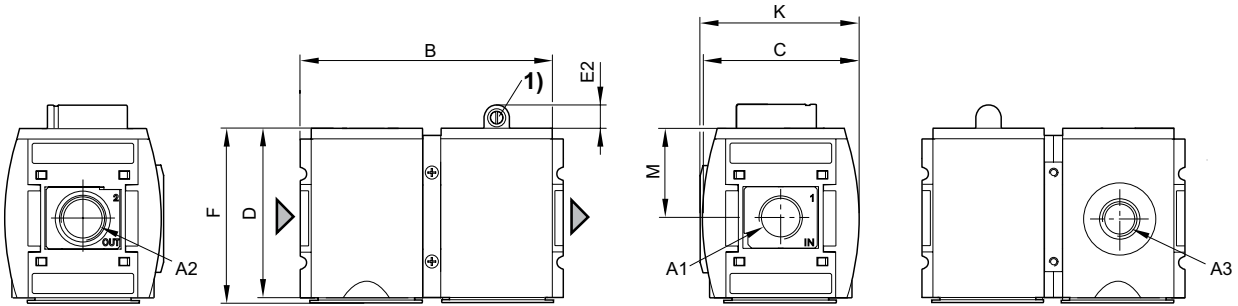
00119421

p₂ = secondary pressure
 q_n = nominal flow

Filling unit, electrically operated, Series AS2-SSU

▶ G 1/4 - G 3/8 ▶ pipe connection

Fig. 1: Filling unit without pilot valve with porting configuration for series DO16

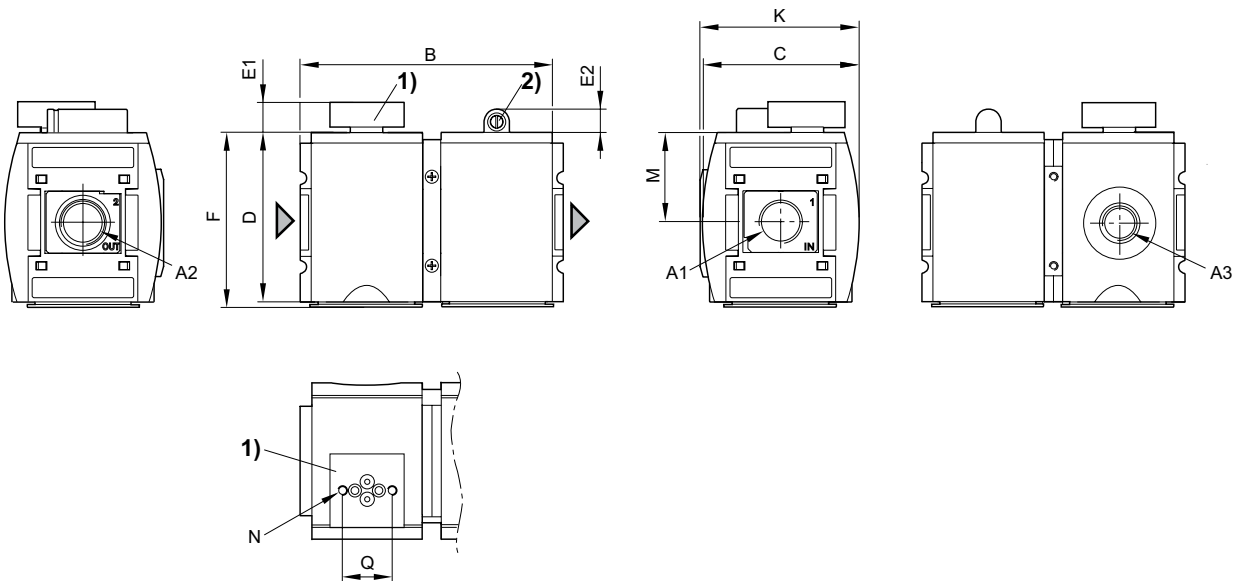


A1 = input
A2 = output
A3 = ventilation port
1) Adjustment screw for filling time

00137951

A1	A2	A3	B	C	D	E2	F	K	M				
G 1/4	G 1/4	G 1/4	104	59	65	11	67	60.9	34				
G 3/8	G 3/8	G 1/4	104	59	65	11	67	60.5	34				

Fig. 2: Filling unit with transition plate for pilot valve series DO30



A1 = input
A2 = output
A3 = ventilation port
1) Transition plate with CNOMO porting configuration for pilot valve DO30
2) Adjustment screw for filling time

00130386

All dimensions in mm, unless specified otherwise.

Part numbers marked in bold are available from the central warehouse in Germany, see the shopping basket for more detailed information

Pneumatics catalog, online PDF, as of 2016-12-06, ©AVENTICS S.à r.l., subject to change

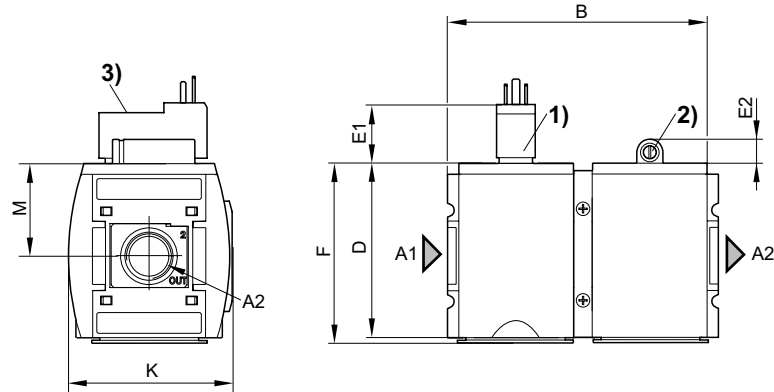
Preparation of compressed air ► Maintenance units and components

Filling unit, electrically operated, Series AS2-SSU

► G 1/4 - G 3/8 ► pipe connection

A1	A2	A3	B	C	D	E1	E2	F	K	M	N	Q
G 1/4	G 1/4	G 1/4	104	59	65	11	11	67	60.9	34	M4	21
G 3/8	G 3/8	G 1/4	104	59	65	11	11	67	60.5	34	M4	21

Fig. 3: Filling unit with pilot valve and port for electrical connector form C

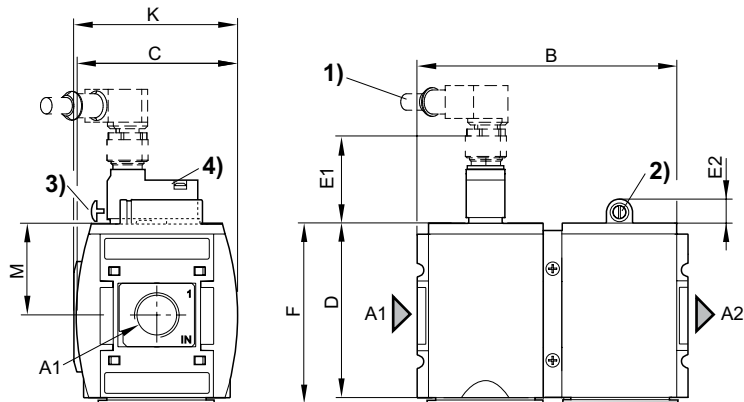


00133932_1

- A1 = input
- A2 = output
- 1) Port for electrical connector according to ISO 15217 (form C)
- 2) Adjustment screw for filling time
- 3) Manual override

A1	A2	B	D	E1	E2	F	K	M				
G 1/4	G 1/4	104	65	22	11	67	60.9	34				
G 3/8	G 3/8	104	65	22	11	67	60.9	34				

Fig. 4: Filling unit with pilot valve, push-in fitting M12x1



20445

- A1 = input
- A2 = output
- 1) Port for plug M12x1
- 2) Adjustment screw for filling time
- 3) Adjustment screw lock
- 4) Manual override

All dimensions in mm, unless specified otherwise.

Part numbers marked in bold are available from the central warehouse in Germany, see the shopping basket for more detailed information

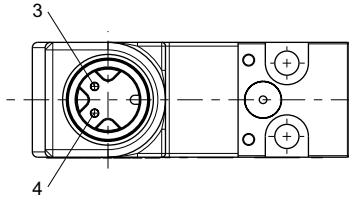
Pneumatics catalog, online PDF, as of 2016-12-06, ©AVENTICS S.à r.l., subject to change

Filling unit, electrically operated, Series AS2-SSU

▶ G 1/4 - G 3/8 ▶ pipe connection

A1	A2	B	C	D	E1	E2	F	K	M				
G 1/4	G 1/4	104	59	65	39	11	67	60.9	34				

Pin assignment M12x1



20438

3: +/-
4: +/-