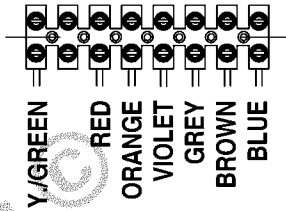
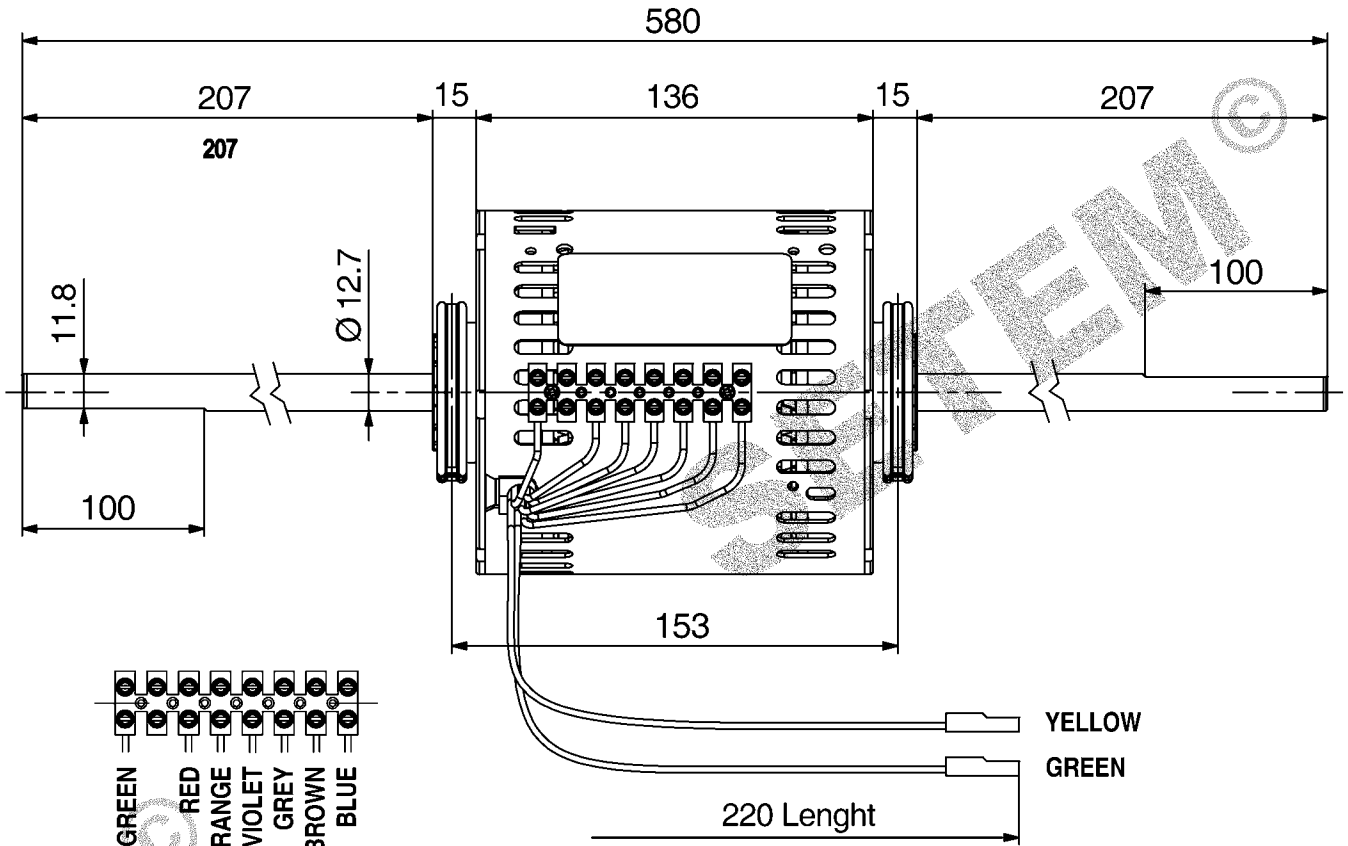
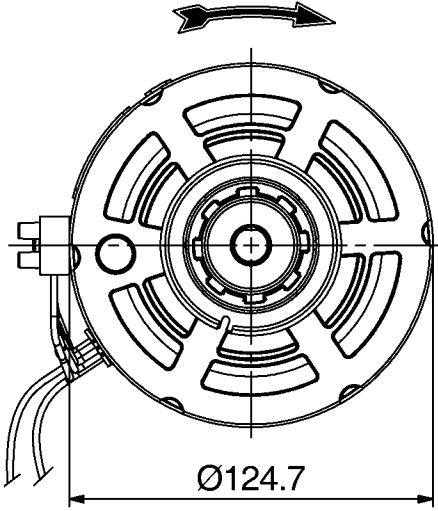


AXIAL CLEARANCE	1,0 - 3,5 mm
SHELL	OPEN
END SHIELDS	OPEN



CLASS "F" MOTOR - SLEEVE BEARINGS

0	1	2	3	4	5	6	⏏
CODE: FGFB45TB0337R							
TYPE: 1FG 385-69-5V NA CE							
230V~ 50/60Hz Th.Prot. Ins.CL.F							
3,10A 320/670W 1300Rpm C=6,3µF 450VL							
3,20A 350/700W 1300Rpm C=8,0µF 450VL							
3,30A 385/740W 1300Rpm C=10µF 450VL							
DATA							
BLUE COMMON		M					
BROWN MAX-5 VEL.		~					
GREY 4 VEL.		⏏					
VIOLET 3 VEL.		⏏					
ORANGE 2 VEL.		⏏					
RED MIN-1 VEL.		⏏					
YELLOW		⏏					
GREEN		⏏					
YELLOW/GREEN		⏏					

For dimension without tolerance see standard UNI EN 22768-mK		Treatment	A		
Material		Singlephase Motor 230V		Weight gr.	Release -
Date 20-02-2013		Type : 1FG 385-69-5V NA		Ref. No RdS 13/0020	
Check		Scale ---		FGFB45TB0337R	

code:

1519000294

www.setem.fr

commercial@setem.fr



SETEM

885 chemin St. Bernard - 06225 VALLAURIS - T 08 90 71 00 39 F 04 92 96 19 39