



D103

MICRO SOLENOID VALVE - DRY

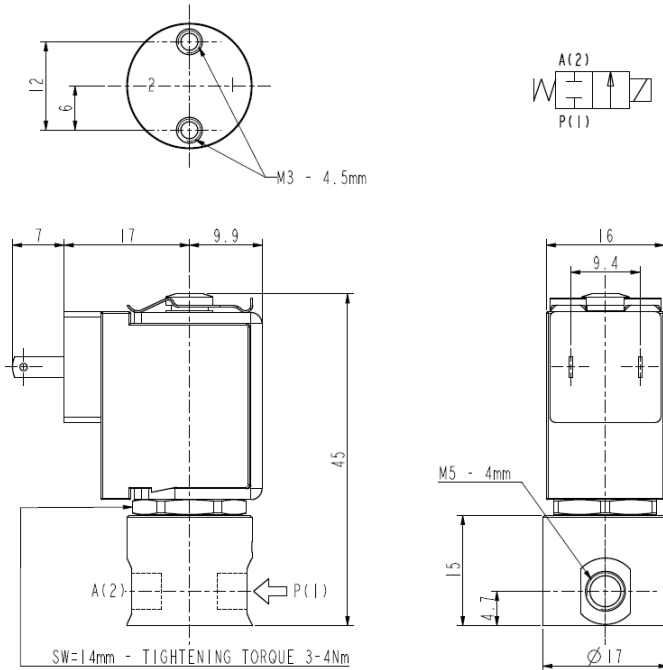
2/2 - NC (Normally closed)

Direct acting - Total isolation

M5



Pneutrol
Leading Industrial Solutions



► GENERAL FEATURES

Total isolation micro solenoid valve: the actuator is totally isolated from the medium so that the wetted parts are just the body and the diaphragm.
Reduced internal volumes: ~0,07 ml (0,07 cm³).
Possibility of disassembling for inspection.
Suitable to shut off liquid and gaseous fluids (verify the compatibility of fluid with materials in contact).

► TECHNICAL FEATURES

Maximum allowable pressure (PS) 7 bar
Opening time ~10ms
Closing time ~10ms
Fluid temperature -10°C +100°C
Max viscosity 5°E (~37 cStokes or mm²/s)

► MATERIALS IN CONTACT WITH FLUID

Body Stainless steel AISI 316
Sealing EPDM or VMQ or FPM or FFPM

► COIL

Continuous duty ED 100%
Encapsulation material PA (Polyamide) fiberglass reinforced
Insulation class F (155°C)
Ambient temperature -10°C +60°C
Electric connections DIN 46340
Protection degree IP 40 (EN 60529) with female wire terminals
2,8 x 0,5 totally insulated
Voltages DC 12-24V (+10% -5%)
(Other voltages on request).

Port size ISO-UNI 4534	Orifice size (mm)	Differential pressure (bar)				Kv (m ³ /h)	Series and type		Power absorption		Sealings	Notes	Weight (kg)	
		Δp min	Δp max ▲				Valve	Coil	AC (VA)					
			Gases		Liquids				Inrush	Holding				
			AC	DC	AC									DC
M5	1,6	0	-	2	-	2	0,04	D103D05	ZE30C	-	-	2,5	EPDM	0,060
				-	-	D103S05		VMQ						
				-	-	D103V05		FPM						
				5	-	D103V06		FFPM	1					
				-	-	D103Z06			2					

► NOTES

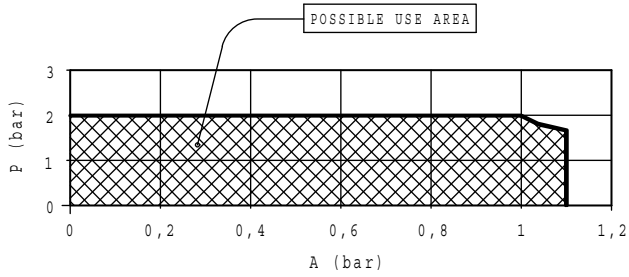
- Sealings : EPDM = Ethylene-propylene elastomer VMQ = Silicone elastomer FPM = Fluoro-carbon elastomer FFPM: Perfluorate elastomer
- Available with Z031 coil on request (Electric connections: DIN 46340 – micro plug connector; Protection degree: IP65)
1 - Suitable for vacuum at port "P" (≤760mmHg) or at port "A" (≤700mmHg)
2 - Suitable for vacuum at port "P" (≤760mmHg) or at port "A" (≤150mmHg)
▲ : see the drawing overleaf.

Pneutrol International Ltd are Platinum Distributors for ASCO Numatics

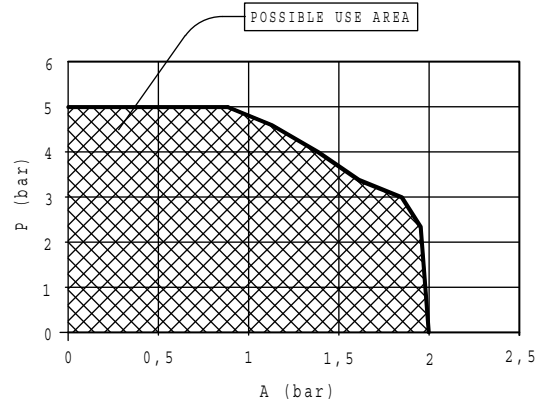
Contact us : 5 Caulside Drive, Antrim, Northern Ireland, BT41 2DU www.valves-direct.com sales@pneutrol.com Tel: +44 (0) 28 9448 1800

D103

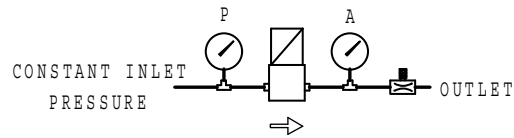
D103D05 – S05 – V05



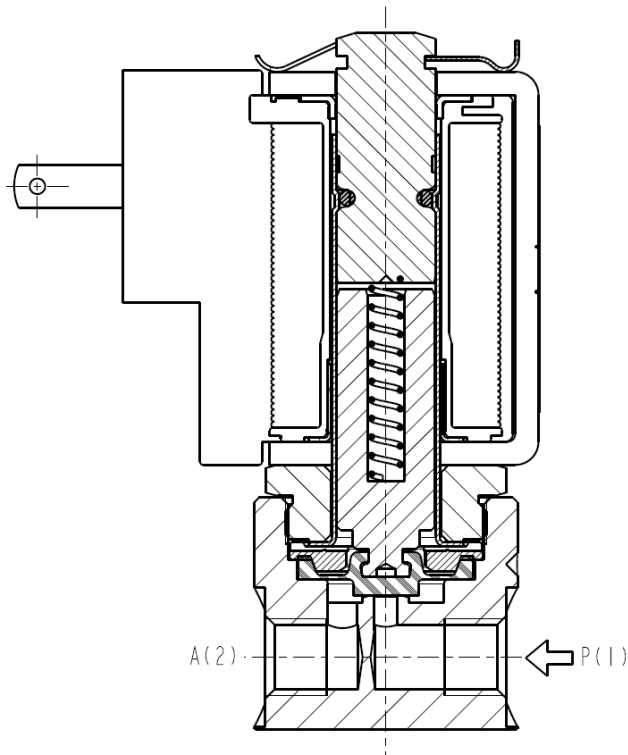
D103V06 – Z06



FUNCTIONAL SCHEME



► SECTIONAL VIEW



► MOUNTING

- Solenoid valve can be mounted in any position.

Pneutrol International Ltd are Platinum Distributors for ASCO Numatics

Contact us : 5 Causide Drive, Antrim, Northern Ireland, BT41 2DU www.valves-direct.com sales@pneutrol.com Tel: +44 (0) 28 9448 1800