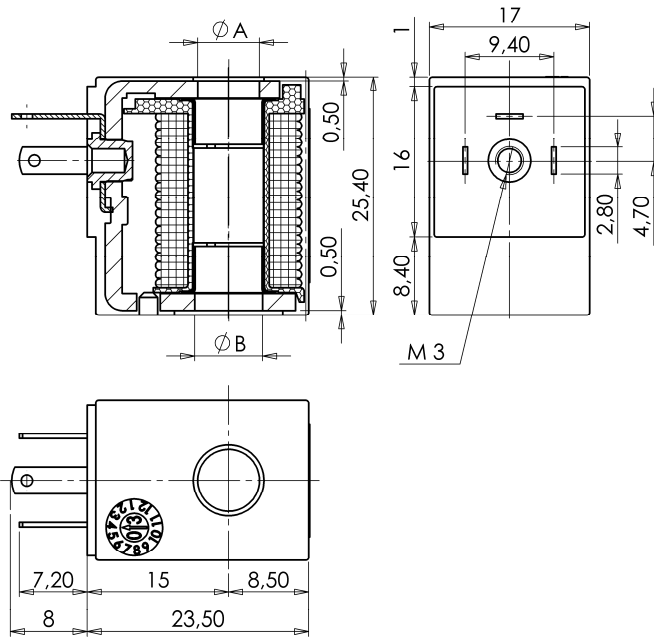




COIL

Spade terminals (DIN 46340)

Z031



► GENERAL FEATURES

Complying with 73/23/EC directive and relative modification 93/68/EC.
Complying with VDE 0580 standard (100% inspected).

► ELECTRIC CONNECTIONS

Spade terminals 2,8 x 0,5 (DIN46340), 2 line + 1 earth terminals.
3 poles micro plug connector.

► ENCAPSULATION MATERIALS

PET (polyethylene terephthalate) fiberglass reinforced; black colour

► TECHNICAL FEATURES

Continuous duty ED 100% (see notes)
Insulation class F (155°C)
Ambient temperature -10°C +60°C
Protection degree IP 65 (EN 60529) with plug connector
Voltages DC 12-24V (+10% -5%)
AC 24V/50Hz (+10% -15%)
(Other voltages and frequencies on request).

TYPE	POWER ABSORPTION			HOLES		NOTES	WEIGHT (kg)
	AC (VA)		DC (W)	ØA	ØB		
	Inrush	Holding					
Z031A	6	5	4	6,5	7,2	-	0,030
Z031B	-	-	1				
Z031C	4	3	2,5				
Z031F	-	-	6				
Z031H	-	-	8				
Z031L	-	-	0,5				

► NOTES

1 - Coil for discontinuous duty, ED according to use

THE VALIDITY OF REPORTED DATA IS REFERRED TO THE DATE OF ISSUE. POSSIBLE UPDATES ARE AVAILABLE ON REQUEST.

0303/0404