


Trims

Trims are available in 1m increment. Please note that ordering 5 pieces of L=100 means 5 rolls of 100 meter type.

Trims



Color - Pattern Samples

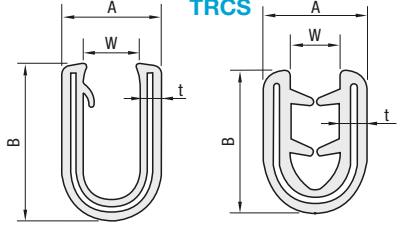
TR_T (Black - Extra Fine) B-5
 (White - Extra Fine) W-5
 TRCS (Gray - Wave) G-6
 (Black - Wave) B-6

Material Properties

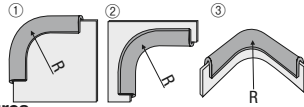
Item	TPE	Silicon Rubber
Specific Gravity	0.95	1.2
Heat Resistance	+135°C	+200°C
Low Temp. Resistance	-60°C	-60°C
Compression Set	15~25%	16%

⚠️ TPE does not produce dioxin when burned.

Applicable Plate Thickness



Bending Directions



Features
Because of the internal metal strip, it does not require adhesives to install.

Type	Material	
	Main Body	Internal Metal Strip
TR_T	Thermoplastic Elastomer (TPE)	Aluminum
TRCS	Silicon Rubber	EN 1.0330 Equiv.

Part Number Type	T	Color - Pattern	L	A	B	W	t	Minimum Bending Radius mm			Applicable Plate Thickness (T Range)
								Bending Directions ①	Bending Directions ②	Bending Directions ③	
TRAT	0.4	B-5	L1-L100 (1m Increment)	4.4	9.7	0.4	1.9	30	30	20	0.3-0.8
	0.8			4.8	9.5	0.8					0.7-1.2
	1.6			5.6	9.1	1.6					1.2-1.6
	2.4			6.4	8.9	2.4					2.0-2.4
TRBT	0.8	B-5 W-5		5.6	11.3	0.8	2.3	40	40	20	0.6-1.2
	1.6			6.4	11.1	1.6					1.2-2.0
	2.4			7.2	11.0	2.4					2.0-3.0
	3.2			8.0	10.6	3.2					2.6-3.2
TRCT	1.6	B-5 W-5		6.0	14.5	1.6	2.2	30	30	30	1.2-2.4
	3.2			7.6	14.0	3.2					2.4-4.0
	4.8			9.2	13.3	4.8					4.0-5.0
	6.4			10.8	12.7	6.4					5.5-6.4
TRDT	3.2	B-5 W-5	7.8	19.0	3.2	2.3	50	50	50	2.3-4.0	
	6.4		11.0	17.5	6.4					6.0-7.0	
	8.0		12.6	16.7	8.0					7.0-8.5	
	9.5		14.1	15.9	9.5					9.0-9.5	
TRCS	3.2	G-6 B-6	L1-L75 (1m Increment)	9.6	13.2	4.6	2.5	50	50	50	1.0-3.2

⚠️ Minimum bending radius value is experimental ones and not guaranteed. Use them as reference.

Ordering Example: Part Number - Color - Pattern - L
TRCT3.2 - B-5 - L6


Part Number Type	T	Color - Pattern	L	Unit Price/m							
				1-4m	5-9m	10-14m	15-29m	30-74m	75-99m	100m	
TRAT	0.4	B-5	L1-L100 (1m Increment)								
	0.8										
	1.6										
	2.4										
TRBT	0.8	B-5 W-5									
	1.6										
	2.4										
	3.2										
TRCT	1.6	B-5 W-5									
	3.2										
	4.8										
	6.4										
TRDT	3.2	B-5 W-5									
	6.4										
	8.0										
	9.5										
TRCS	3.2	G-6 B-6	L1-L75 (1m Increment)								

⚠️ Specify L dimension in 1m increment.

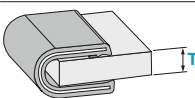
Corner Trims

Corner Trims are offered for saving machining process. Trim's lip covers cut edge or uneven surface due to size difference.

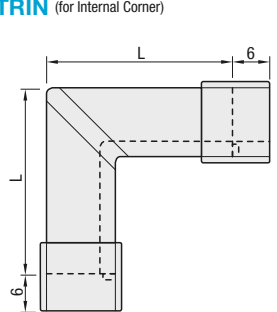
Corner Trims



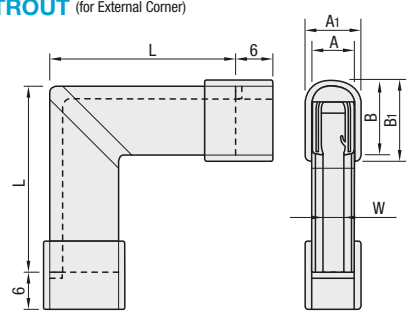
Applicable Plate Thickness



TRIN (for Internal Corner)



TROUT (for External Corner)



Features
Because of the internal metal strip, it does not require adhesives to install.

Type	Material	
	Main Body	Internal Metal Strip
TRIN	Thermoplastic Elastomer (TPE)	Aluminum
TROUT	Thermoplastic Elastomer (TPE)	Aluminum

⚠️ Forcing trim to spread wide may split the welded part.

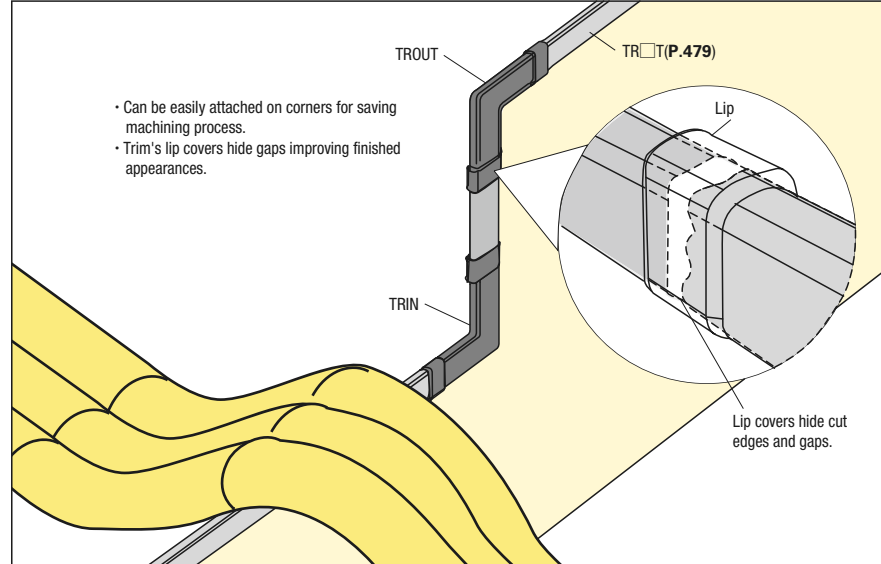
Part Number Type	T	Corner Direction	Color	L	A1	A	B1	B	W	Applicable Plate Thickness (T Range)	Applicable Trim	Unit Price 1 or 2 pc(s).	Volume Discount Rate	
													3-4	5-1000
TRIN	0.8	Internal Corner	B (Black)	50	7.6	5.6	13.5	12.3	0.8	0.6~1.2	TRAT 0.8* TRBT 0.8			
	1.6			80	8.4	6.4	12.3	12.1	1.6	1.2~2.0	TRAT 1.6* TRBT 1.6			
	2.4			100	9.2	7.2	12.2	12	2.4	2.0~3.0	TRAT 2.4* TRBT 2.4			
	3.2			100	9.6	7.6	15.2	15	3.2	2.4~4.0	TRBT 3.2* TRCT 3.2			
TROUT	0.8	External Corner		50	7.6	5.6	13.5	12.3	0.8	0.6~1.2	TRAT 0.8* TRBT 0.8			
	1.6			80	8.4	6.4	12.3	12.1	1.6	1.2~2.0	TRAT 1.6* TRBT 1.6			
	2.4			100	9.2	7.2	12.2	12	2.4	2.0~3.0	TRAT 2.4* TRBT 2.4			
	3.2			100	9.6	7.6	15.2	15	3.2	2.4~4.0	TRBT 3.2* TRCT 3.2			

* While B dimension on trim side become shorter, lip part of the corner trim will cover the gap.

⚠️ For orders larger than indicated quantity, please check with WOS.

Ordering Example: Part Number - Color
TRIN 0.8 - B

ex Example



TROUT TR_T(P.479)

TRIN

Lip

Lip covers hide cut edges and gaps.

- Can be easily attached on corners for saving machining process.
- Trim's lip covers hide gaps improving finished appearances.