



# AMETEK LAMB ELECTRIC

## Product Bulletin

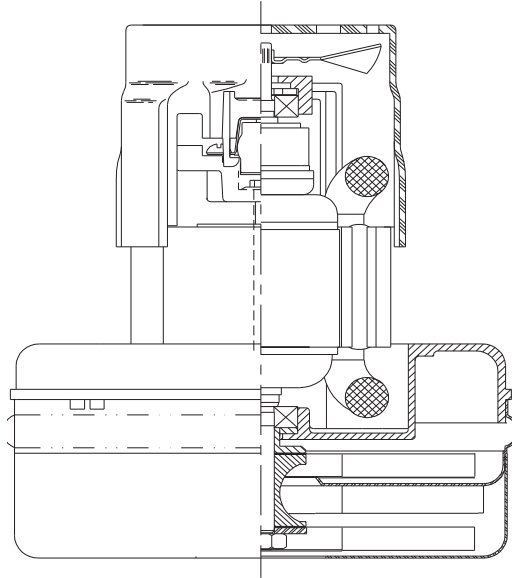
Model: **115949**

### DESCRIPTION

- Two stage
- 240 volts
- 5.7" / 145 mm diameter
- Double ball bearings
- Single speed
- Peripheral bypass discharge
- Aluminum fan end bracket
- Aluminum commutator bracket

### DESIGN APPLICATION

- Equipment operating in environments requiring separation of working air from motor ventilating air
- Designed to handle clean, dry, filtered air only

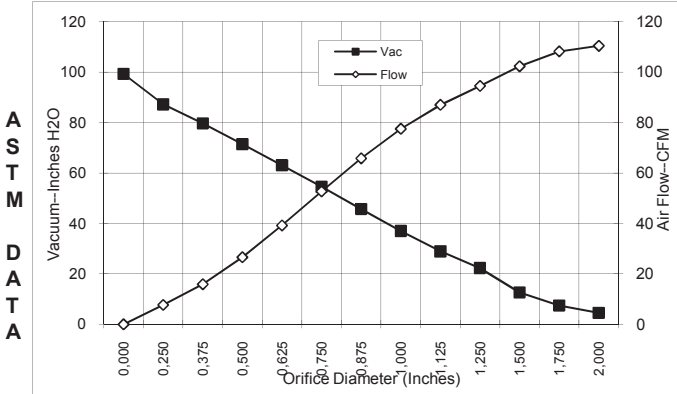


### SPECIAL FEATURES

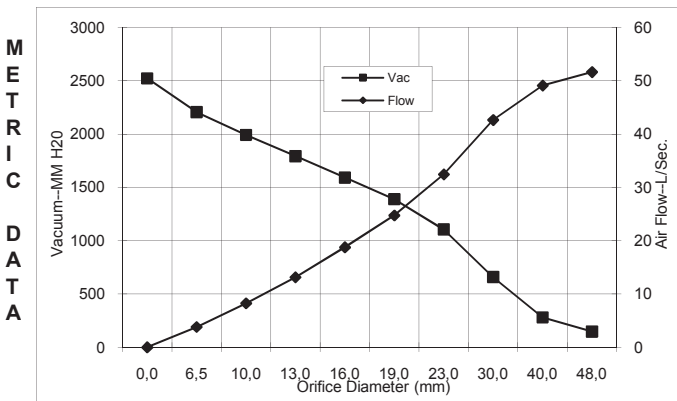
- Suitable for 240 volt AC operation, 50/60 Hz
- UL recognized, category PRGY2 (E47185)
- Provision for grounding
- The Lamb vacuum motor line offers a wide range of performance levels to meet design needs

### TYPICAL MOTOR PERFORMANCE.\*

(At 240 volts, 60Hz, test data is corrected to standard conditions of 29.92 Hg, 68° F.)



Orifice (Inches)	Amps	Watts (In)	RPM	Vac (In.H2O)	Flow (CFM)	Air Watts
2.000	5,0	1153	19390	4,5	110,4	58
1.750	5,1	1158	19330	7,4	108,2	94
1.500	5,1	1168	19200	12,6	102,3	152
1.250	5,1	1180	19050	22,3	94,5	248
1.125	5,2	1186	19050	28,9	87,0	296
1.000	5,1	1180	19050	37,0	77,5	337
0.875	5,1	1160	19270	45,7	65,8	353
0.750	4,9	1120	19660	54,5	52,7	338
0.625	4,6	1065	20330	63,0	39,2	290
0.500	4,3	998	21200	71,4	26,6	223
0.375	4,0	926	22220	79,6	15,9	149
0.250	3,7	863	23150	87,2	7,7	79
0.000	3,5	816	24000	99,3	0,0	0



Orifice (mm)	Amps	Watts (In)	RPM	Vac (mm H2O)	Flow (L/Sec)	Air Watts
48,0	5,0	1155	19364	147	51,7	74
40,0	5,1	1165	19239	280	49,1	135
30,0	5,2	1183	19050	659	42,7	274
23,0	5,1	1165	19215	1106	32,4	349
19,0	4,9	1119	19673	1389	24,7	337
16,0	4,6	1067	20303	1592	18,8	292
13,0	4,3	1005	21113	1792	13,1	230
10,0	4,0	937	22067	1991	8,3	160
6,5	3,7	866	23104	2205	3,8	83
0,0	3,5	816	24000	2522	0,0	0

Note: Metric performance data is calculated from the ASTM data above.

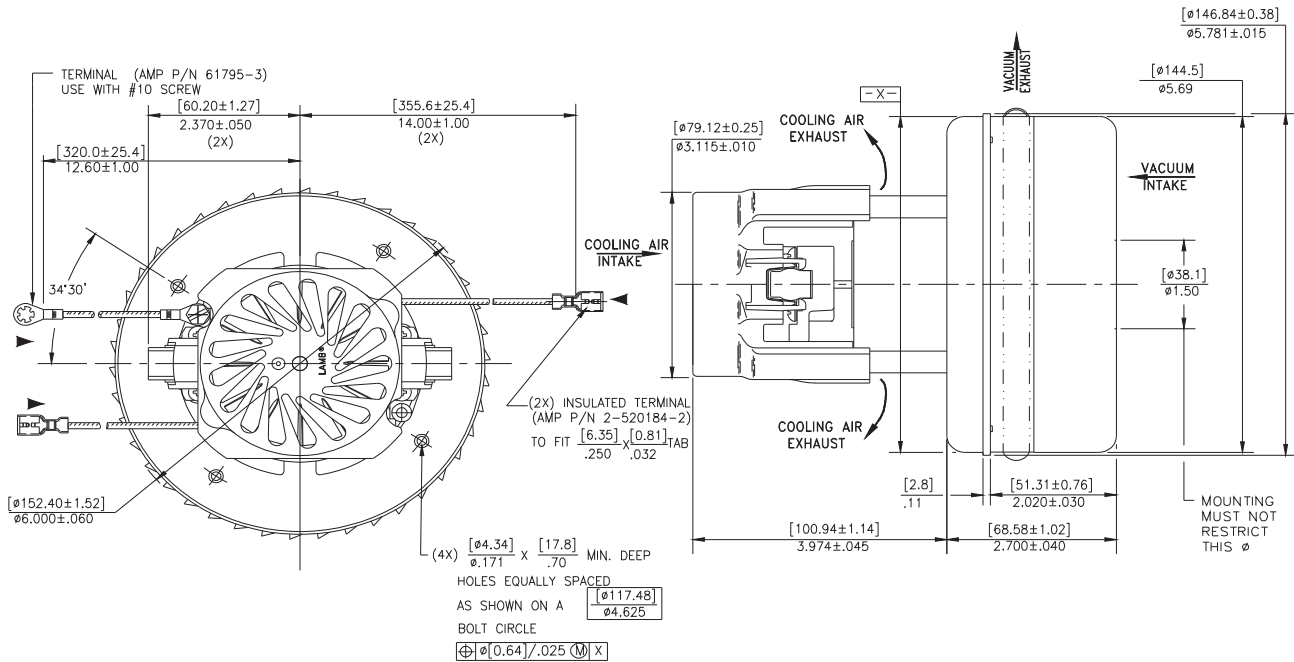
\* Data represents performance of a typical motor sampled from a large production quantity. Individual motor data may vary to normal manufacturing variations.

Test Specs:	240 volts	Minimum Sealed Vacuum:	94.0"	ORIFICE:	13 mm	Minimum Vacuum:	66.0"	Maximum Watts:	1100
-------------	-----------	------------------------	-------	----------	-------	-----------------	-------	----------------	------

## DIMENSIONS

### NOTES:

- LEADS: 18 GA. STRANDED, LEADS CAN BE ANY COLOR EXCEPT GREEN OR GREEN WITH YELLOW STRIPE.
- MOTOR IDENTIFICATION: MANUFACTURER'S NAME, MODEL NUMBER, VOLTAGE, FREQUENCY, INSPECTOR'S CODE, DATE OF MANUFACTURE, AGENCY RECOGNITION CODE, PLANT LOCATION CODE, PATENT INFORMATION - ONE OR MORE OF THE FOLLOWING PATENTS APPLY TO THIS MOTOR: 5482378; 5736805; 4669952; 4684835, AND MADE IN THE USA.
- ALLOW [0.0016 SQ M]/2.5 SQ IN. FOR COOLING AIR INTAKE.
- COOLING AIR INTAKE MUST BE SEPERATED FROM COOLING AIR EXHAUST.
- COOLING AIR EXHAUST MUST BE SEPERATED FROM VACUUM EXHAUST.



**IMPORTANT NOTE:** Pictorial and dimensional data are subject to change without notice. Contact factory for current revision levels.

**WARNING** - When using AMETEK/Lamb Electric bypass motors in machines that come in contact with foam, liquid (including water) or other foreign substances, the machine must be designed and constructed to prevent those substances from reaching the fan system, motor housing and electrical components. Lamb vacuum motors other than hazardous duty models should not be applied in machines that come in contact with dry chemicals or other volatile materials. Failure to observe these precautions could cause flashing (depending on volatility) or electrical shock which could result in property damage and severe bodily injury, including death in extreme cases. All applications incorporating Lamb motors should be submitted to appropriate organizations or agencies for testing specifically related to the safety of your equipment.

AMETEK/Lamb Electric Division  
627 Lake Street  
Kent, Ohio 44240  
U.S.A.  
Tel: (330) 673-3786 Fax: (330) 677-3812  
www.lambelectric.com

Revised: January, 2004