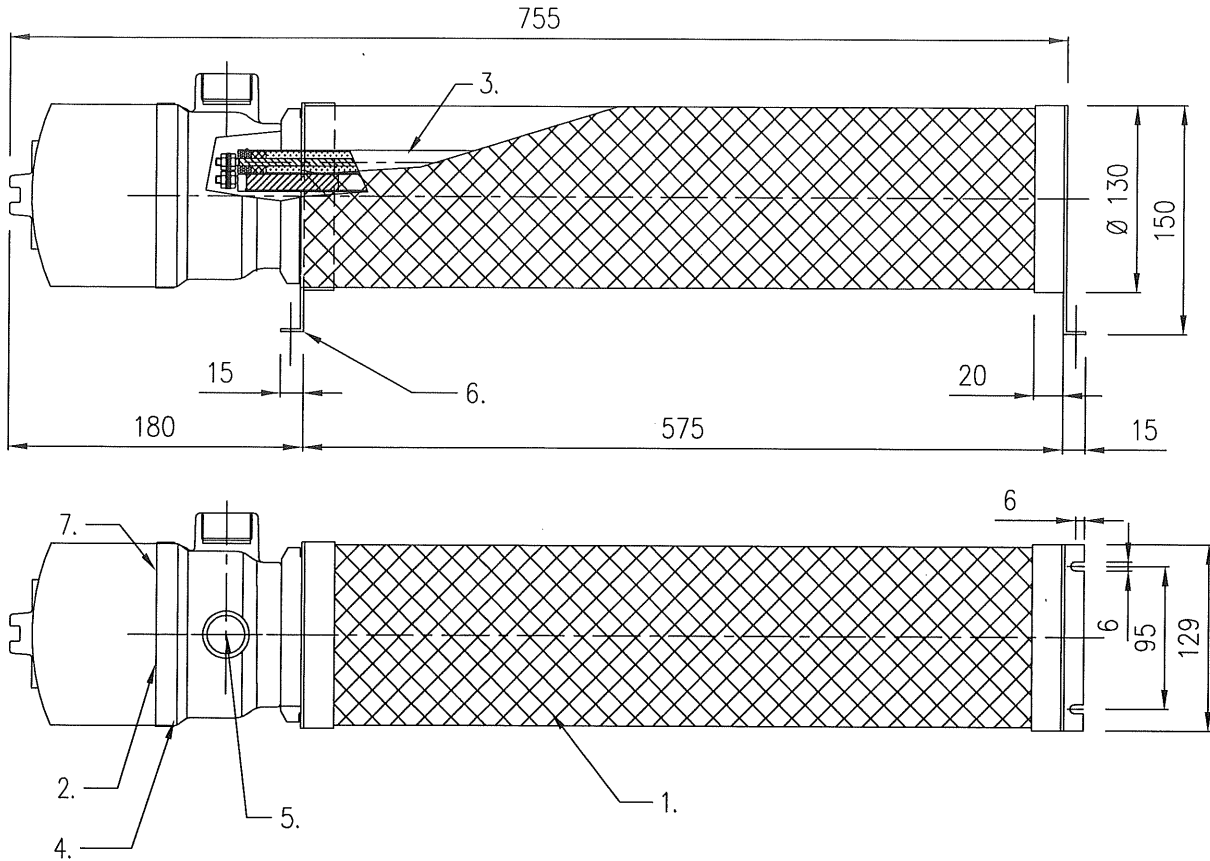


LATERAL VIEW



ELECTRIC HEATER

Pipe: ø 16 AISI 316Ti

Power Density 0,66 W/cm²

n° of elements: 3

Power: 1000 W

Voltage: 230V/1 Ph - 50 Hz

Static Air: 40°C

1. GRID MADE OF SS 316

2. THERMOSTAT AUTOMATIC RESET 20-500°C FOR SHEATH OVERT. CONTROL

3. ELECTRIC HEATER "U" BENDED ø16

4. CONNECTION BOX DEGREE IP65 - ATEX CERTIFICATION - Certificate N° CEC 10_ATEX_022X made of ALUMINIUM

5. CONNECTION N° 2 X 1/2" NPT

6. FIXING PLATE MADE OF SS 316

7. THERMOSTAT MANUAL RESET 0-150°C FOR FLUID OVERT. CONTROL

ATEX certification

Hot Head Heater Certified by CEC in accordance with EN 60079-0/EN 60079-1/7/31 II 2GD EExde IIC T3

Contact Housing Protection IP65, maximum temperature < 180 °C (Temperature Class T3), II 2D Extb IIIC T200°C

Certificate validity for Class I - Zone 1 or 2 - Ambient T° -40 ÷ 40°C - Maximum operating T° 149 °C

COHERENCE WITH ATEX CERTIFICATE CEC 10ATEX 022X POSITIVELY VERIFIED

Safety Devices:

- n° 1 thermostat with automatic reset 20+500°C for sheath over temperature control set = 199°C

- n° 1 thermostat with manual reset 0+150°C for fluid over temperature control set = 149°C



ELECTRICAL HEATERS DATA SHEET

DISEG. DWN.	G.Principale	DESCRIZIONE/DESCRIPTION	Cliente	
DIS. N° DWN N°	17953	Electric heater 1 kW	SCALE :	RIF.
APPR.		MATERIALE / MATERIAL	FORMATO SIZE : A4	TAV SHT:
DATA DATE	19/04/2016	SS 316 + Aluminium		

Questo disegno non puo' essere riprodotto, modificato o comunicato a terzi. La MASTERWATT s.r.l. in caso di trasgressione si riserva di agire a termini di legge. Ogni deroga deve essere autorizzata per iscritto.