

Features:

- ❑ DC Braking with one-way rectification
- ❑ controlled bei microcontroller
- ❑ suitable for all asynchronous motors
- ❑ easy mounting, also for retrofitting into existing plants
- ❑ wear-resistant and maintenance-free
- ❑ special voltages up tp 575V (UL: bis 480V) with Option „B“
- ❑ for snap-mounting onto 35mm top-hat-rail
- ❑ degree of protection IP 20



Braking Devices
VB 230/400-25



Function:

- ❑ control via motor contactor
- ❑ standstill detection
- ❑ braking current limited to rated device current
- ❑ remanence time optimization
- ❑ braking current infinitely adjustable
- ❑ potential-free output for motor contactor interlocking during braking
- ❑ potential-free output for fault signalling relay

Options: (upon request)

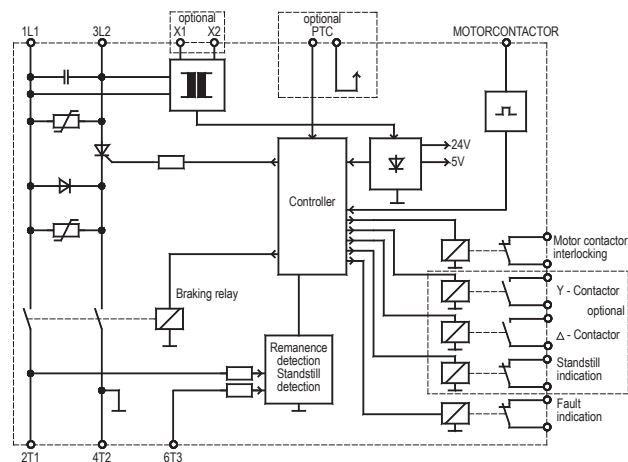
- ❑ star-delta starting control (D)
- ❑ motor temperature monitoring (P)
- ❑ standstill sognalling relay (S)
- ❑ wide-voltage-range 200...575V (B)
control voltage of 24VAC or 230VAC is necessary
(please note on order)

Upon Request:

- ❑ printed circuit-board version

Typical Applications:

- sawing machines
- centrifuges
- wood working machines
- textile machines
- conveying systems



Type designation		VB 230-25 VB 400-25
rated device current		25A
mains voltage according to DIN EN 50160 (IEC 38)		VB 230 ... 220/240V ±10% 50/60Hz option „B“ VB 400 ... 380/415V ±10% 50/60Hz 200...575V ±10% 50/60Hz
order number	230V	21900.23025
	400V	21900.40025
	230V – UL	29800.23025
	400V – UL	29800.40025

Technical data	VB 230-25		VB 400-25	
mains voltage according to DIN EN 50160 (IEC 38)	VB 230 ...	220/240V ±10%	50/60Hz	option „B“
	VB 400 ...	380/415V ±10%	50/60Hz	200...575V ±10% 50/60Hz
power draw of electronics	6 VA			
recommended for rated motor current up to	12,5A			
rated device current	25A			
c.d.f. at max. braking current	8%			
I ² t-value of power semiconductor in A ² s	1250			
braking voltage	0 ... 130VDC bei 220/240V 0 ... 220VDC bei 380/415V			
max. braking time	15s (other times upon request)			
contact rating (control relay)	6A/250VAC; 6A/30VDC			
delay time for reduction of residual e.m.f.	self-optimizing in the range between (100 ... 2500ms)			
max. cross-sectional area	2x 2,5mm ² per terminal			
ambient- / storage temperature	0°C ... 45°C / -25°C ... 75°C			
weight / kg	0,8			

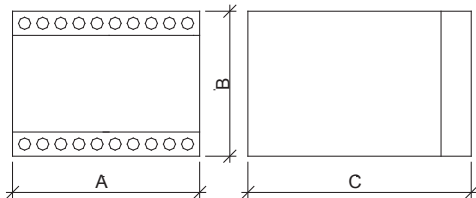
Note:

Please pay attention and consider for the operation of IE3 motors while dimensioning of softstarters and dc brakes the resulting higher starting and braking currents.

For the use of IE3 motors we highly recommend to dimension and design the needed softstarters and braking devices one size higher.

Dimensions:

VB 230-25
VB 400-25



Mounting dimensions	A	B	C
VB ... - 25	100	73	120

Connection Diagram: