

Non-contact thermometer

All-in-one type

THERMO-HUNTER®

BA series

0 to 500°C




Features

■ Scaling function

The temperature range of analog output can be scaled within the temperature range as you like.

■ Built-in amplifier with compact body

The first non-contact thermometer of its class incorporating a digital display, setting panel, and output function.

■ Emissivity teach function simplifies emissivity adjustment
■ Two-type optics

Long focus : 30mm at 1000mm distance (BA30)

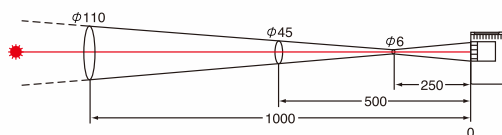
Narrow focus : 6mm at 200mm distance (BA06)

■ Two-type analog outputs

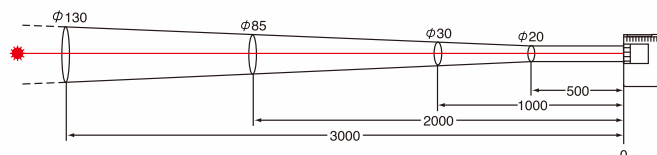
4-20mA type is suitable for long-distance transmission, and 1mV type is suitable for the connection with a panel meter.

■ The built-in coaxial laser marker allows you to sight measuring objects

Optical Specifications

● BA-06TA-S / BA-06TV-S


[mm]

● BA-30TA-S / BA-30TV-S


※ The optical resolution value stated above are at minimum 90% energy.

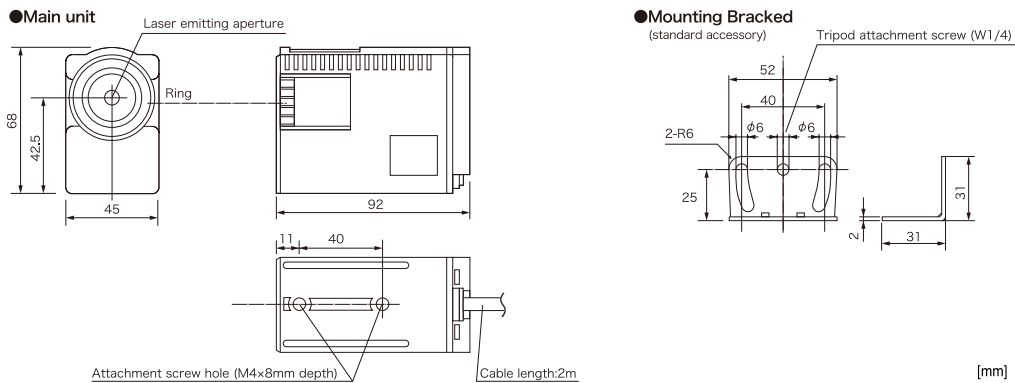
※ The size of measuring object should be sufficiently larger than the spot size.

Specifications

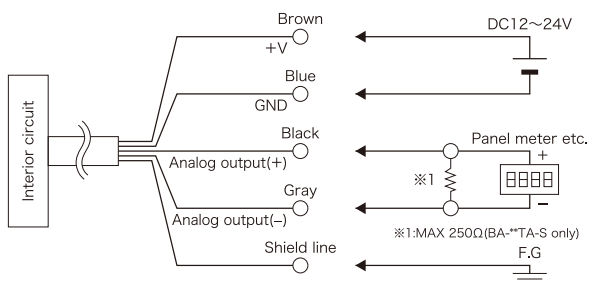
Model	BA-06TV-S	BA-06TA-S	BA-30TV-S	BA-30TA-S
Temperature range	0 to 500°C (Display -20 to 520°C)			
Optical resolution	φ6/200mm		φ30/1000mm	
Sensing element/Spectral response	Thermopile/8 to 14μm			
System accuracy	±1% of reading or ±2°C ±1 digit, whichever is greater(ε≒1.0)			
Repeatability	±1°C of reading			
Response time	100ms/90%			
Temperature resolution	1°C			
Emissivity adjustment (ε)	0.10 to 1.20			
Analog output	1mV/°C	4-20mA	1mV/°C	4-20mA
Output resolution	0.2°C			
Power supply	12-24VDC ±10%/Max 150mA			
Ambient temperature	0 to 50°C			
Relative humidity	35 to 85%Rh (non-condensing)			
Storage temperature	-10 to 60°C			
Protection class	IP65			
Vibration resistance	3G (20 to 50HZ, according to JIS C0911)			
Sighting	Laser (ClassII)			
Material	Ring case:glass-containing PBT, Rear:PSF, Cover:PC			
Weight	350g			

*Specifications subject to change without notice.

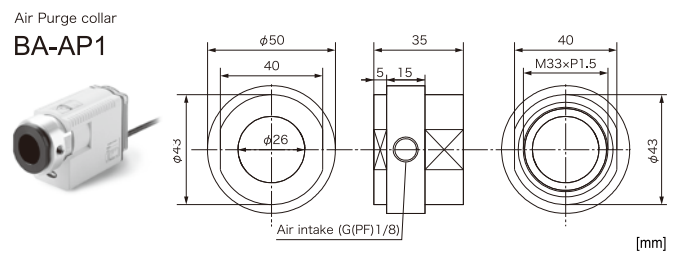
Dimensions



Connection Diagram



Optional Accessory



OPTEX CO., LTD.

5-8-12 Ogoto Otsu, Shiga, 520-0101 Japan
 Tel : +81-77-579-8680 Fax : +81-77-579-8199
 URL : <http://www.optex.co.jp>

74004-00-13440-1208