



Index: 00  
Status: 13.04.2012

Item number: KDD7,5/R/600V/156A/0,38mH

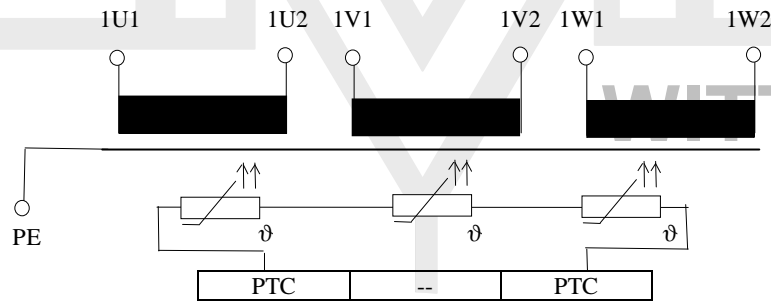
**Electrical data**

Operating voltage:	up to 3 x 600V	Nominal current:	156 A
Inductance:	0,38 mH	Mode of operation - ED:	100%
Short-circuit voltage:	8,1 % at 50 Hz	Nominal frequency:	50/60 Hz
Maximum ambient temperature:	40°C	Clock frequency of the converter:	at least 3 kHz
Degree of protection:	IP00	Installation up to maximum:	IP20
Degree of pollution:	P2	Class of protection:	I
Insulation class:	F	Construction plan number:	23701
Fuse:	Thermal protection by thermistors 150°C		

**Standards**

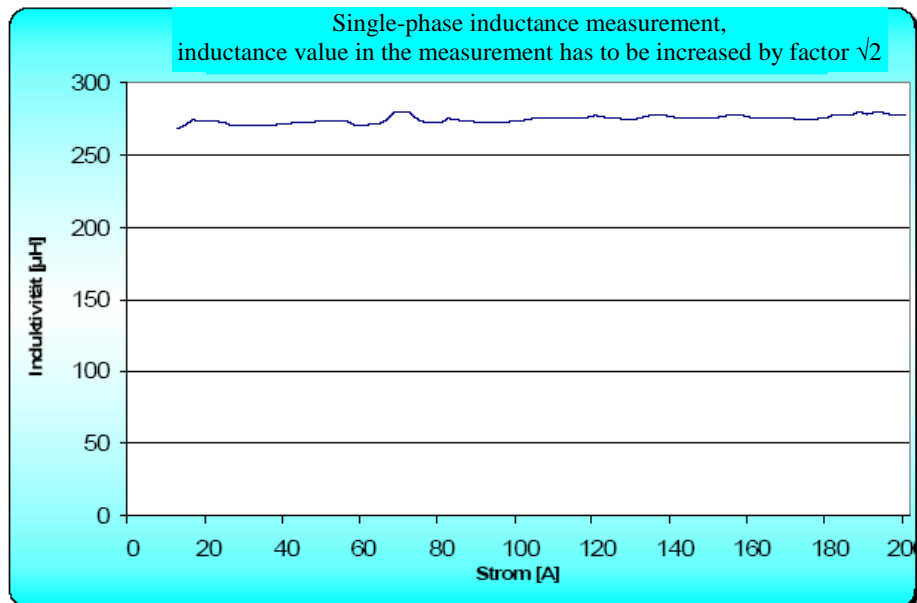
Standard EN:	acc. to EN61558-1 acc. to EN61558-2-20		labeling UL:	DDU7,5/2/0/0S
Standard UL:	certified acc. to: UL5085-1 /UL5085-2			DDU7,5/2/0/0S
Standard CSA:	C22.2 No.66.1-06 C22.2 No.66.2-06			

**Circuit diagram**



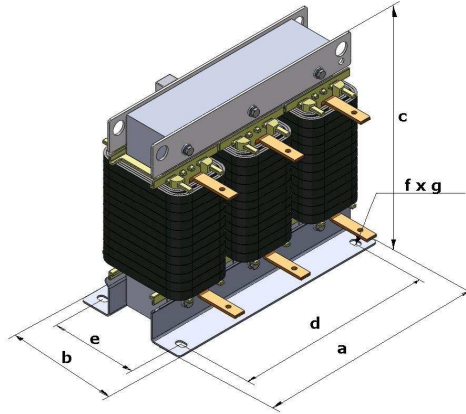
**Diagram: Saturation resistance**

DPG10 Power Choke Tester V1.9





Mechanical data



a	b	c	d	e	fxg	weight in kg
360	255	320	310	156	11x15	80

Connection bolt: M10

Tightening torque of the connection bolt: 10,0 Nm

WITTLICH