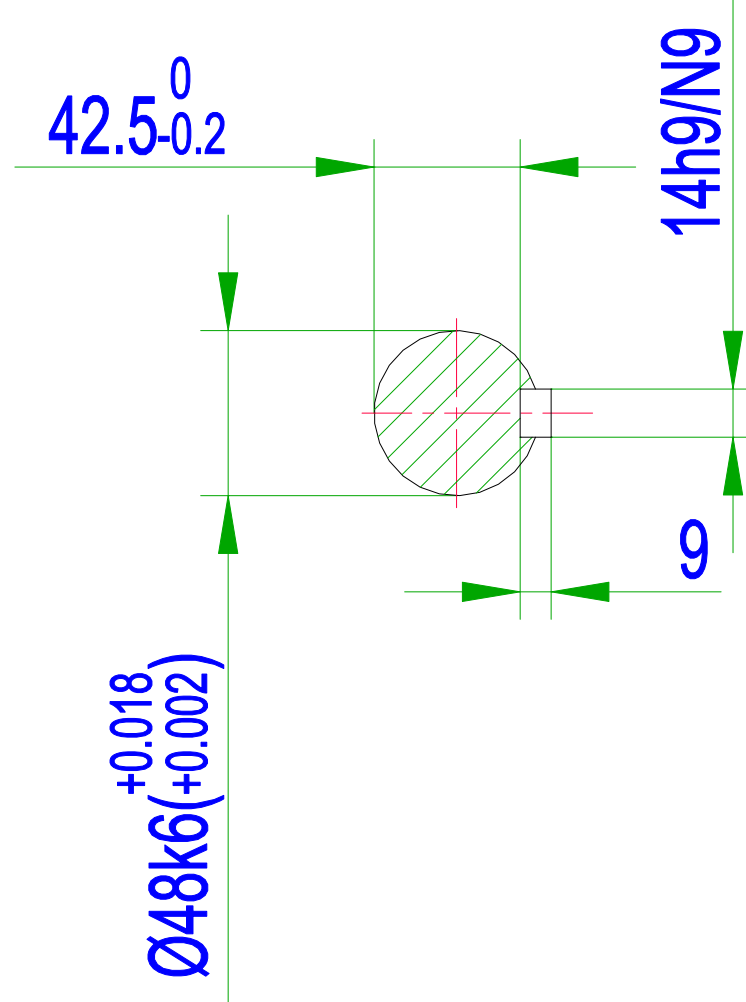


A - A



		TOLERANCES UNLESS SPECIFIED		MARATHON ELECTRIC	DRAWN	
		DEC.	METRIC			CHK
		.X	± 2.5	TITLE HJN 180L-4P□6P B35 MAT'L. FINISH CAD FILE	APPD	
		.XX	± .76		SCALE 1=12	
		.XXX	± .127		REF	
		.XXXX	± .0127		FMF	
		ANG	± 1/2		PREV	
NO.	REVISION	BY & DATE	CHK	ANG	FINISH	PREV
THIS DRAWING IN DESIGN AND DETAIL IS OUR PROPERTY AND MUST NOT BE USED EXCEPT IN CONNECTION WITH OUR WORK ALL RIGHTS OF DESIGN AND INVENTION ARE RESERVED THIS IS AN ELECTRONICALLY GENERATED DOCUMENT - DO NOT SCALE THIS PRINT				RFP	CAD FILE	SIZE B
				DIST		DRAWING NO.
						REV.