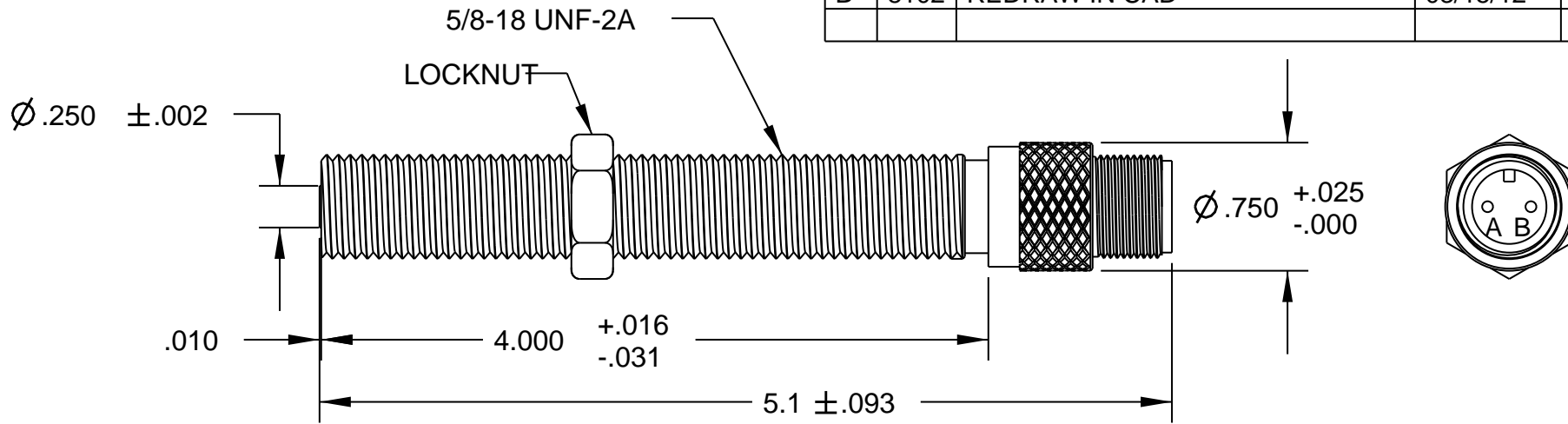


REV	ECN	DESCRIPTION	DATE	DR	CK
A		INDUCTANCE TOL. ADDED, CN	08/30/84	KP	LOC
B	8102	REDRAW IN CAD	03/15/12	PF	MG



TEMPERATURE RANGE	OUTPUT VOLTAGE PEAK TO PEAK	DC RESISTANCE OHMS	INDUCTANCE AT 1 KHz	OUTPUT CONNECTOR	INSULATION RESISTANCE	NET WEIGHT
-65 ° F to +225 ° F	15-17 VOLTS (SEE NOTE 1)	115-140 AT 75 ° F	37 mH ±10%	MATES WITH MS3106A-10SL-4S (SEE NOTE 2)	100 MEGOHMS MIN. AT 500 VDC, COIL TO HOUSING	5.2 OZ. AVG.

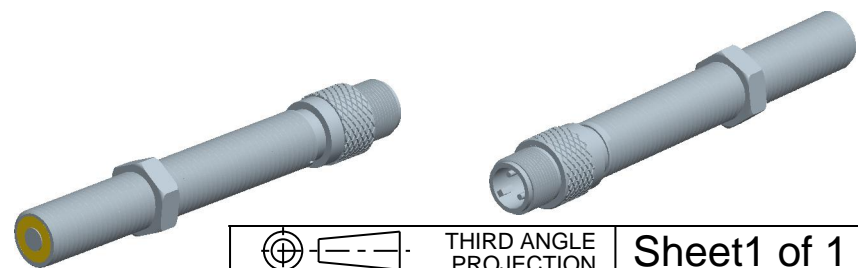
NOTES:

- TESTED AT 1000 INCHES/SECOND WITH A 8 PITCH, 12 TOOTH GEAR, 0.005" CLEARANCE AND 100,000 OHMS LOAD SHUNTED BY 250 MMF.
- WITH APPROACH OF FERROUS METAL, PIN "B" IS POSITIVE WITH RESPECT TO PIN "A".

CONSTRUCTION:

HOUSING ----- 303 STAINLESS STEEL
 POLE PIECE - 416 STAINLESS STEEL
 POTTING ----- EPOXY RESIN

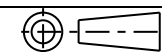
ZENER LIMITED OUTPUT VOLTAGE AND CURRENT



TOLERANCES
 FRACT. DEC. ANGLES
 ±1/64 .XXX±.005 ±1/2°
 .XX±.01

MATERIAL

FINISH



THIRD ANGLE PROJECTION

Sheet 1 of 1

DYNALCO

MODEL M205 DRAWN PF SCALE

PATH MPROD\PICKUPS\M205 APPROVED MG NONE

TITLE MAGNETIC PICKUP, MODEL M205

DATE 04/21/83 REV A 800-0205 B

THIS DOCUMENT, ALL INFORMATION CONTAINED IN AND ALL INFORMATION RELATED TO THE PROPERTY OF DYNALCO CONTROLS, IS CONFIDENTIAL TO IT AND NO PART THEREOF NOR ANY SUBSTANTIAL INFORMATION MAY BE COPIED, DISSEMINATED OR USED IN ANY MANNER WHATSOEVER WITHOUT THE WRITTEN CONSENT OF DYNALCO AND IS TO BE RETURNED TO DYNALCO UPON REQUEST.