

Sensor technologies ▶ Proximity sensors

Sensor, Series ST4

▶ 4 mm C-slot ▶ with cable ▶ Plug, M8, 3-pin



21305

Certificates

UL (Underwriters Laboratories)
cULus
RoHS

Ambient temperature min./max.

-30°C / +80°C

Protection class

IP65, IP67

Switching point precision [mm]

±0,1

Switching logic

NO (make contact)

Display

LED

LED status display

Yellow

Vibration resistance

10 - 55 Hz, 1 mm

Shock resistance

30 g / 11 ms

Mounting screw

Combination: slotted and hexagon socket

Materials:

Housing

Polyamide, fiber-glass reinforced

Cable sheath

Polyurethane

Technical Remarks

- The max. switching capacity must not be exceeded.

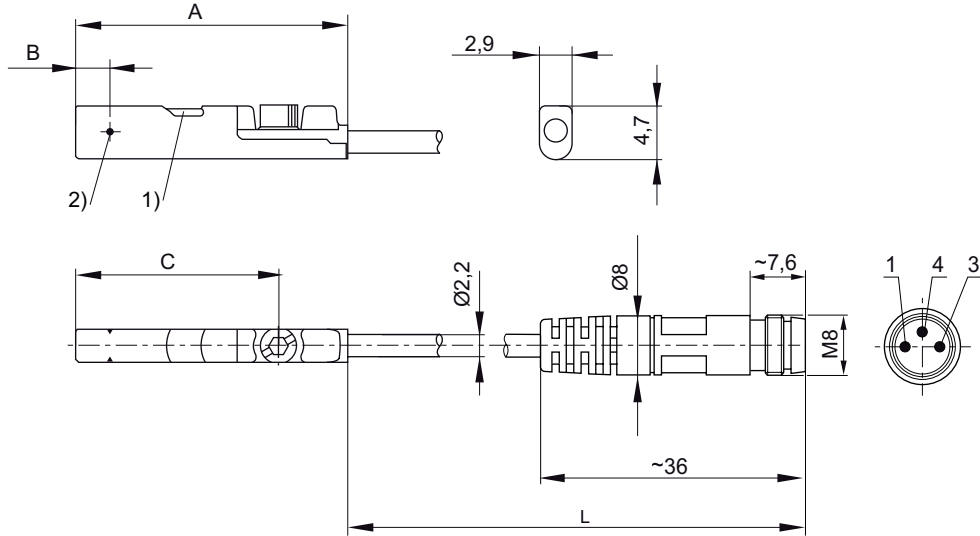
	Type of contact	Cable length	DC operating voltage min./max.	Voltage drop U at I _{max}	DC switching current, max.	AC switching current, max.	Switching capacity	Part No.
		[m]	[V DC]		[A]	[A]		
	Reed	0.3	5 / 30	I*Rs	0.13	0.13	3 W / 3 VA	R412019682
	electronic PNP	0.3	10 / 30	≤ 2,5 V	0.1	-	-	R412019683
	electronic NPN	0.3	10 / 30	≤ 2,5 V	0.1	-	-	R412019694

interfaces: Plug; M8; 3-pin
short circuit resistant / Protected against polarity reversal

Sensor, Series ST4

▶ 4 mm C-slot ▶ with cable ▶ Plug, M8, 3-pin

Dimensions



21297

1) LED 2) Switching point
 L = cable length
 Pin assignment: 1 = (+), 3 = (-), 4 = (OUT)

Part No.	A	B	C									
R412019682	26.3	6.3	20.3									
R412019683	23.7	2.8	17.7									
R412019694	23.7	2.8	17.7									