

Pressure regulators ▶ Manually operated

**Fine setting valve**

▶ Qn = 900 l/min ▶ Actuating element: handwheel ▶ Internal thread ▶ Poppet valve



3610-711

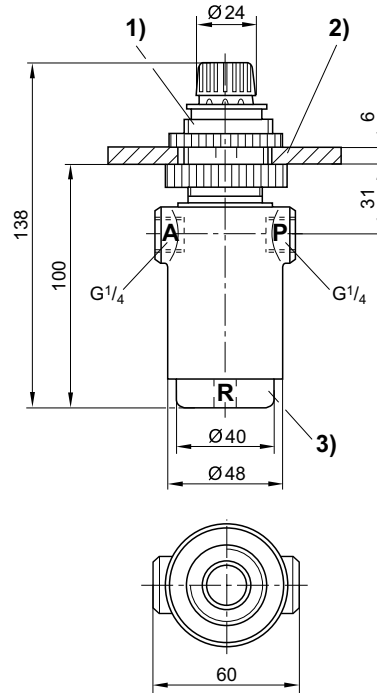
Ambient temperature min./max.	-25°C / +70°C
Medium temperature min./max.	-25°C / +70°C
Medium	Compressed air
Qn	900 l/min
Hysteresis	< 0,15 bar
Materials:	
Housing	Die cast zinc
Seals	Acrylonitrile Butadiene Rubber

	Compressed air connection		Working pressure min./max. [bar]	Adjustment range min./max. [bar]	Parallel pressure displacement [bar]	Weight [kg]	Part No.
	Input	Output					
	G 1/4	G 1/4	0.1 / 10	0.1 / 1.1	1.3	0.6	<b>3610607000</b>
			0.1 / 10	0.1 / 2.6	1.4		<b>3610607100</b>
			0.1 / 10	0.1 / 3.6	1.4		<b>3610607200</b>
			0.1 / 10	0.1 / 4.1	1.4		<b>3610607300</b>
			0.1 / 10	0.1 / 4.6	1.4		<b>3610607400</b>
			0.1 / 10	0.1 / 5.1	1.4		<b>3610607500</b>
			0.1 / 10	0.1 / 7.1	0.8		<b>3610607600</b>
			0.1 / 12	0.1 / 10.1	-		<b>3610607700</b>

### Fine setting valve

▶ Qn = 900 l/min ▶ Actuating element: handwheel ▶ Internal thread ▶ Poppet valve

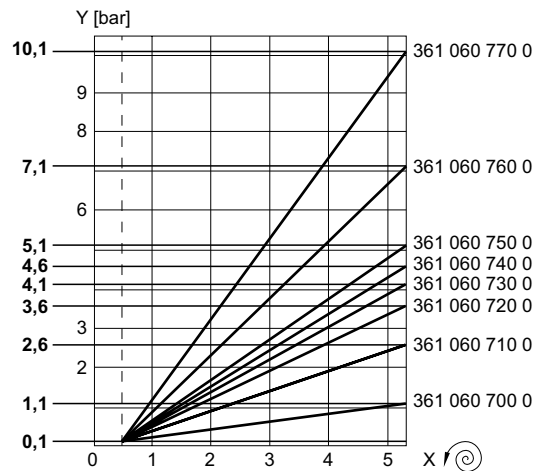
#### Dimensions



D361\_058\_a

- 1) The handwheel can be adjusted once the locking ring has been pulled up.
  - 2) hole for mounting plate  $\varnothing 31$  mm
  - 3) screw cap
- A = connection output  
P = connection input  
R = Port exhaust

#### Pressure characteristics curve



00127833

x = rotations of the handwheel

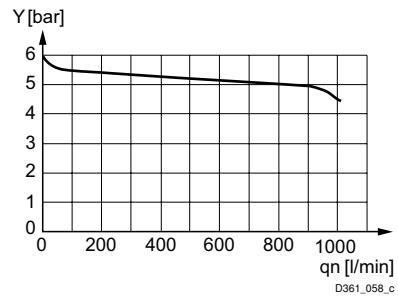
The characteristic curve can be moved parallel to the illustrated characteristic curve (in the y direction) using the screw cap.

## Pressure regulators ▶ Manually operated

## Fine setting valve

▶  $Q_n = 900$  l/min ▶ Actuating element: handwheel ▶ Internal thread ▶ Poppet valve

## Flow rate characteristic



input pressure: 8 bar, supply pressure: 6 bar  
y: pressure in line "A" [bar]